

# 255 LED Light Power Supply Installation [002-1890-00]

**Components:**  
Power Supply

**Special Tools:**  
none

Language of origin: English



**Warning**

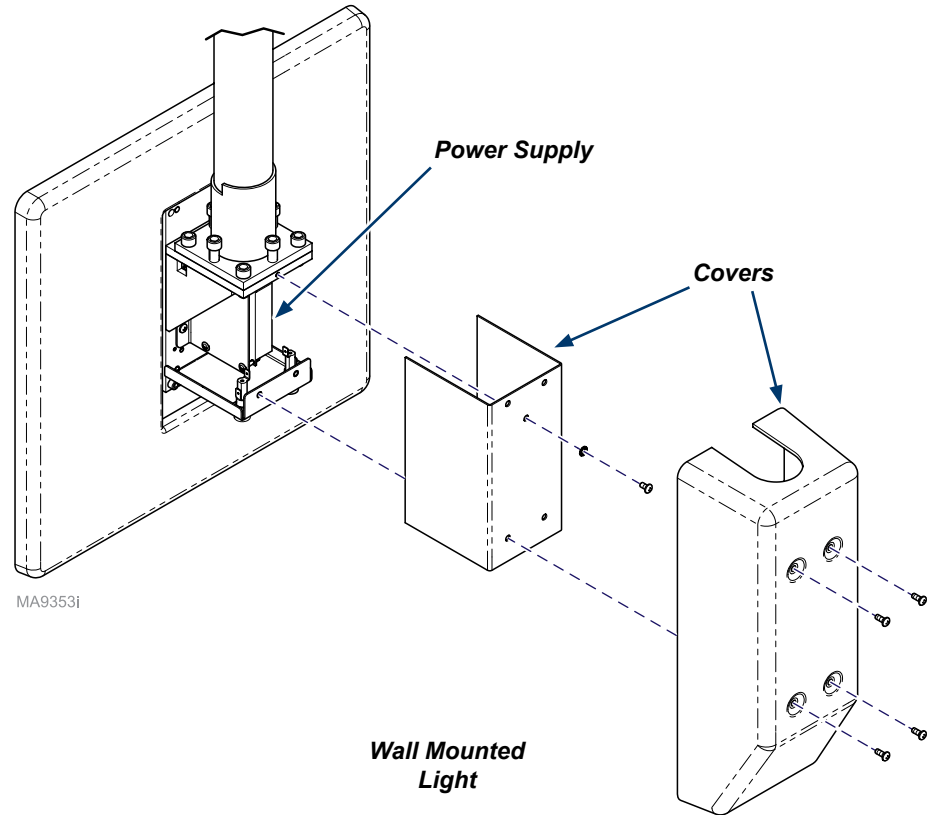
Always disconnect power before removing covers.  
Failure to do so may result in personal injury.

**Step 1: Remove power supply.**  
A) Turn light OFF and disconnect power.  
B) Remove cover(s) and components shown as needed according to mounting (ceiling, wall or mobile)...

**For Wall Mounted Light...**  
Remove screws and mounting hardware from covers.

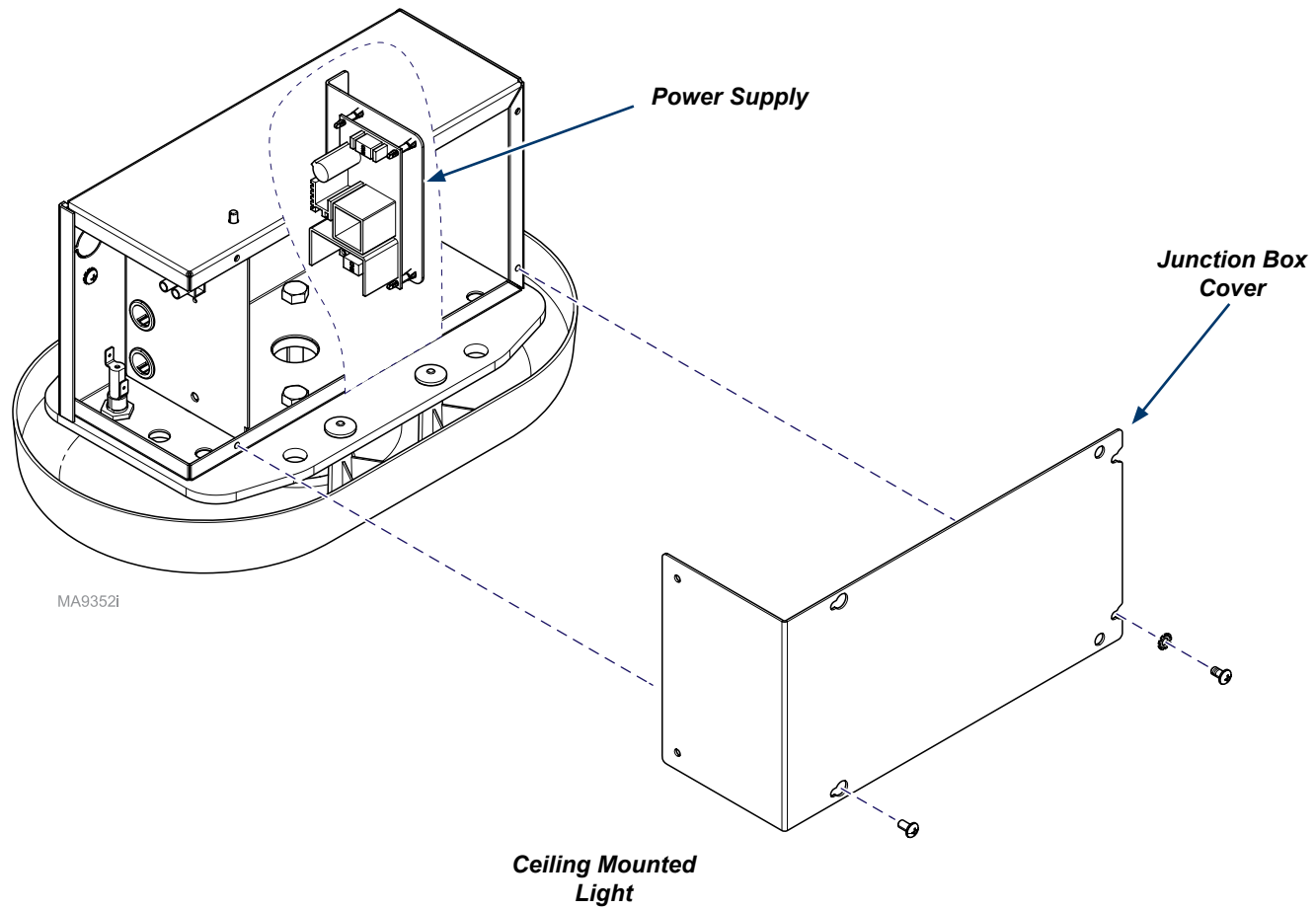


Replace Power Supply



**For Ceiling Mounted Light...**

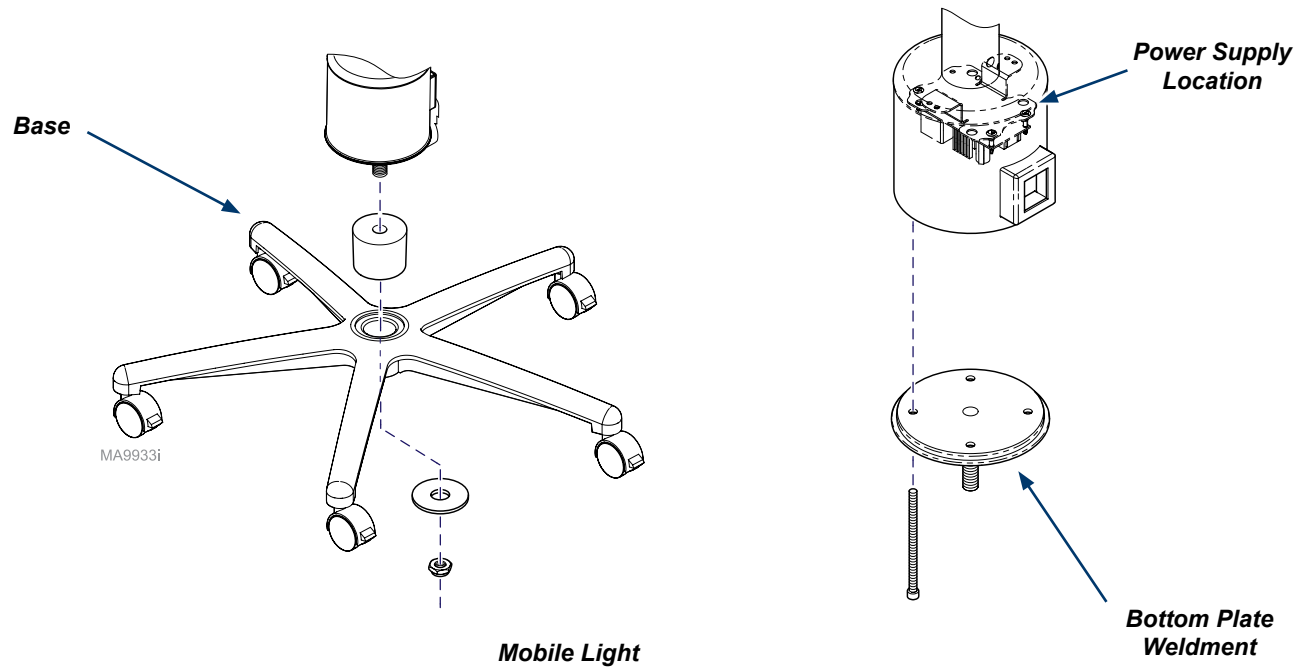
*Remove screws and mounting hardware from junction box cover.*



MA9352i

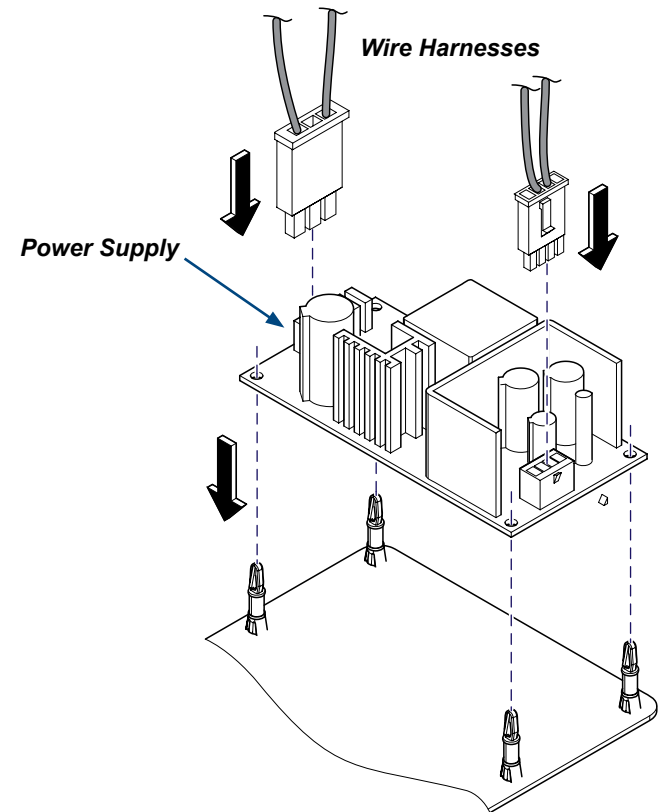
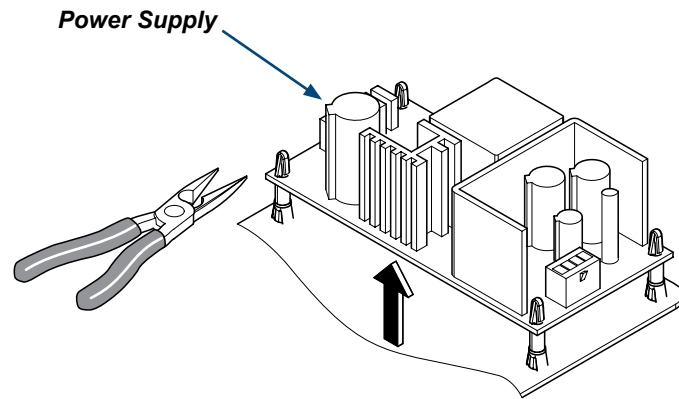
**For Mobile Light...**

Remove nut and washers from the bottom of the base and the spacer from the top of the base then...  
Remove long screws from bottom plate weldment and remove for access.



**Step 2: Removing existing power supply.**

- A) Disconnect wire harnesses.
- B) Use needle nose pliers to release power supply.



MA9355i

**Step 3: Install new power supply.**

- A) Peel off film and secure power supply.
- B) Connect wire harnesses.
- C) Install components (reverse Step 1) as needed.
- D) Connect power and verify operation.



Because we care.