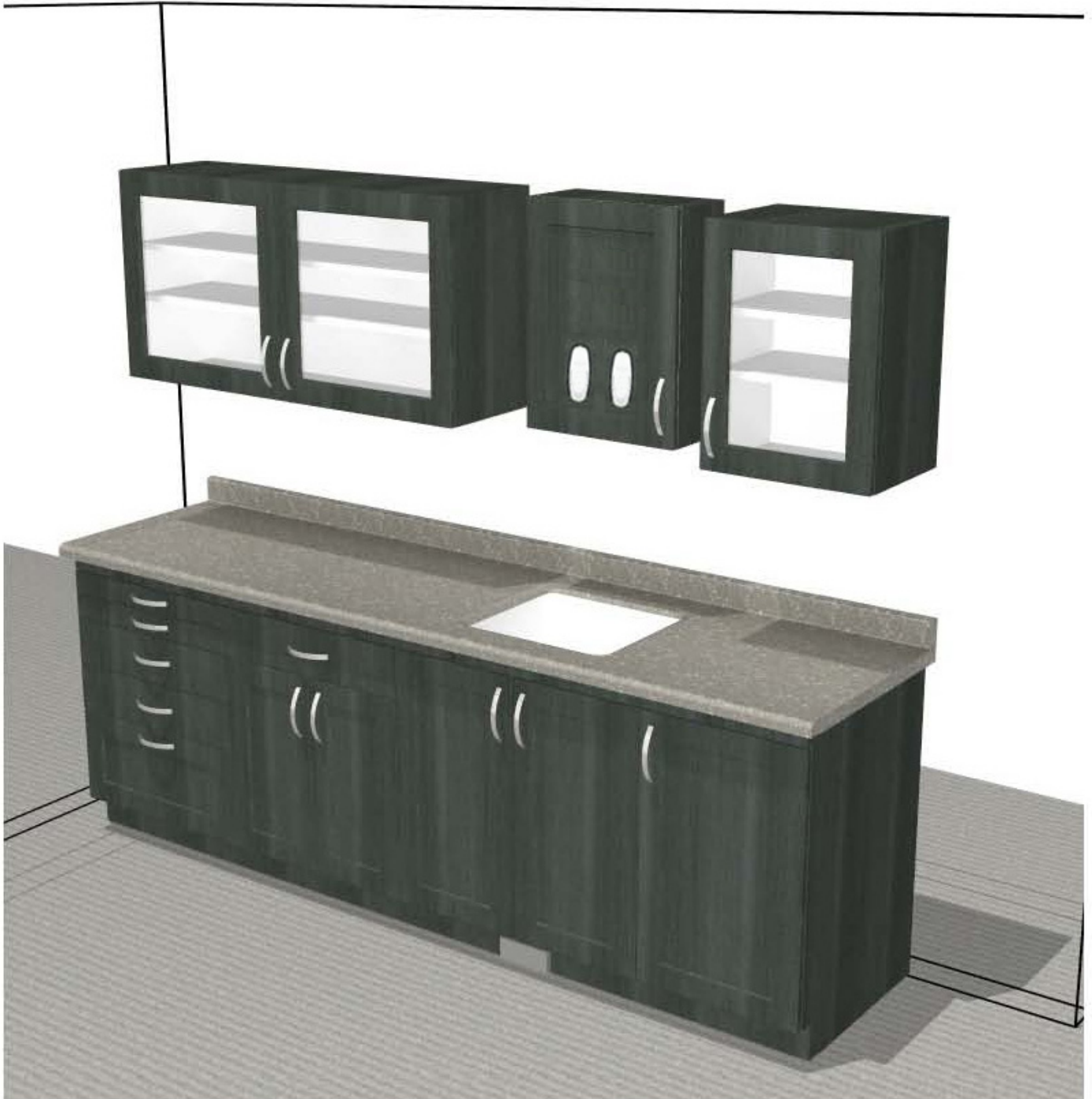


Synthesis™ Casework Collection Pre-Installation Guide



MA9252i

Note

All plumbing must be made by a licensed plumbing contractor and conform to local, city, and national codes pertaining to the installation.

The wall layouts shown in this install are LH unit. If unit being installed is a RH unit, layout and dimensions need to be flipped.

TP212 Rev. A

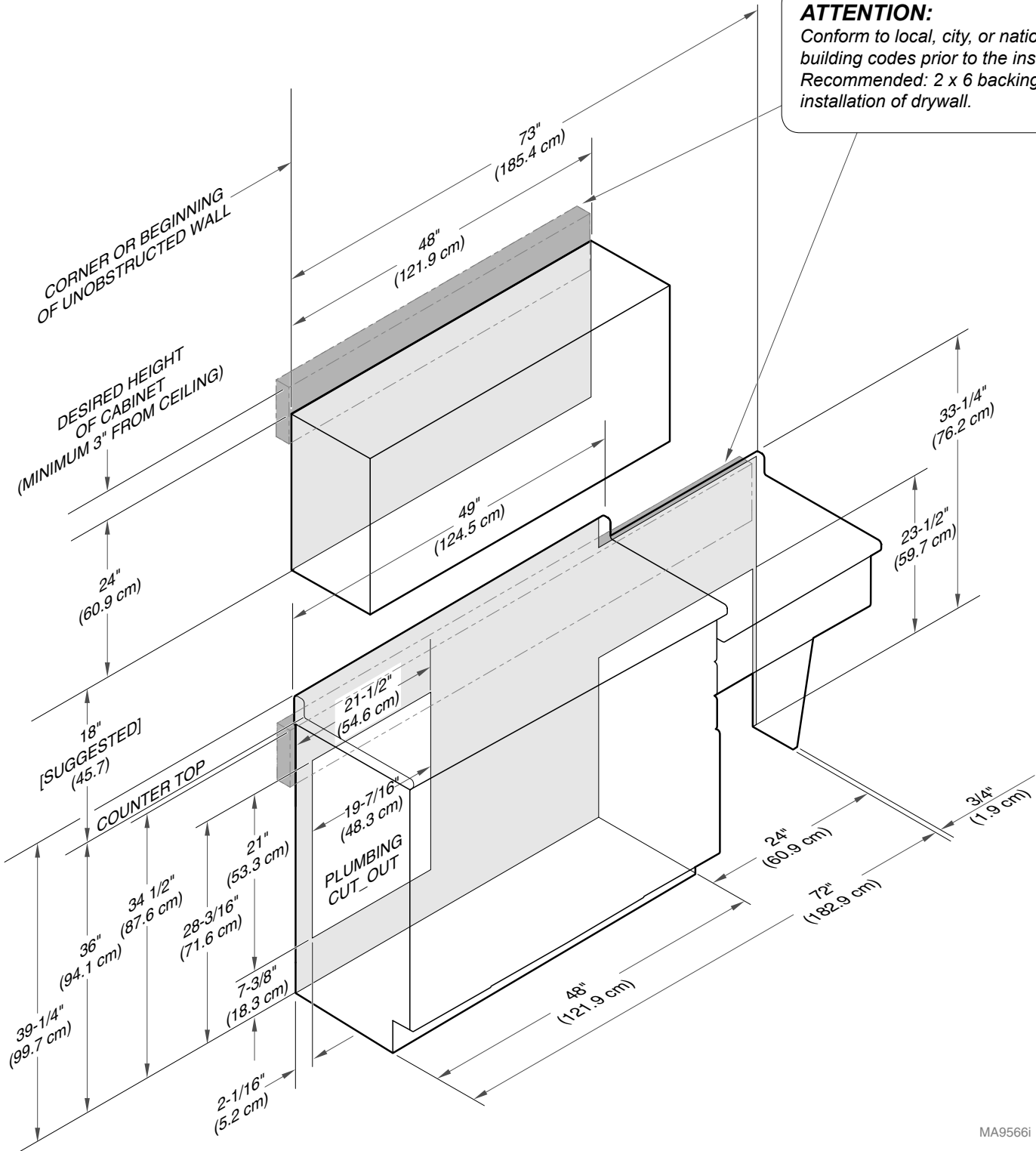
Wall Layout Preparation for Synthesis™ Casework

Note

Use the layout below for electrical / plumbing installation.

ATTENTION:

Conform to local, city, or national building codes prior to the installation.
Recommended: 2 x 6 backing prior to installation of drywall.



TP212 Rev. A

MA9566i

8' Steri-Center Casework

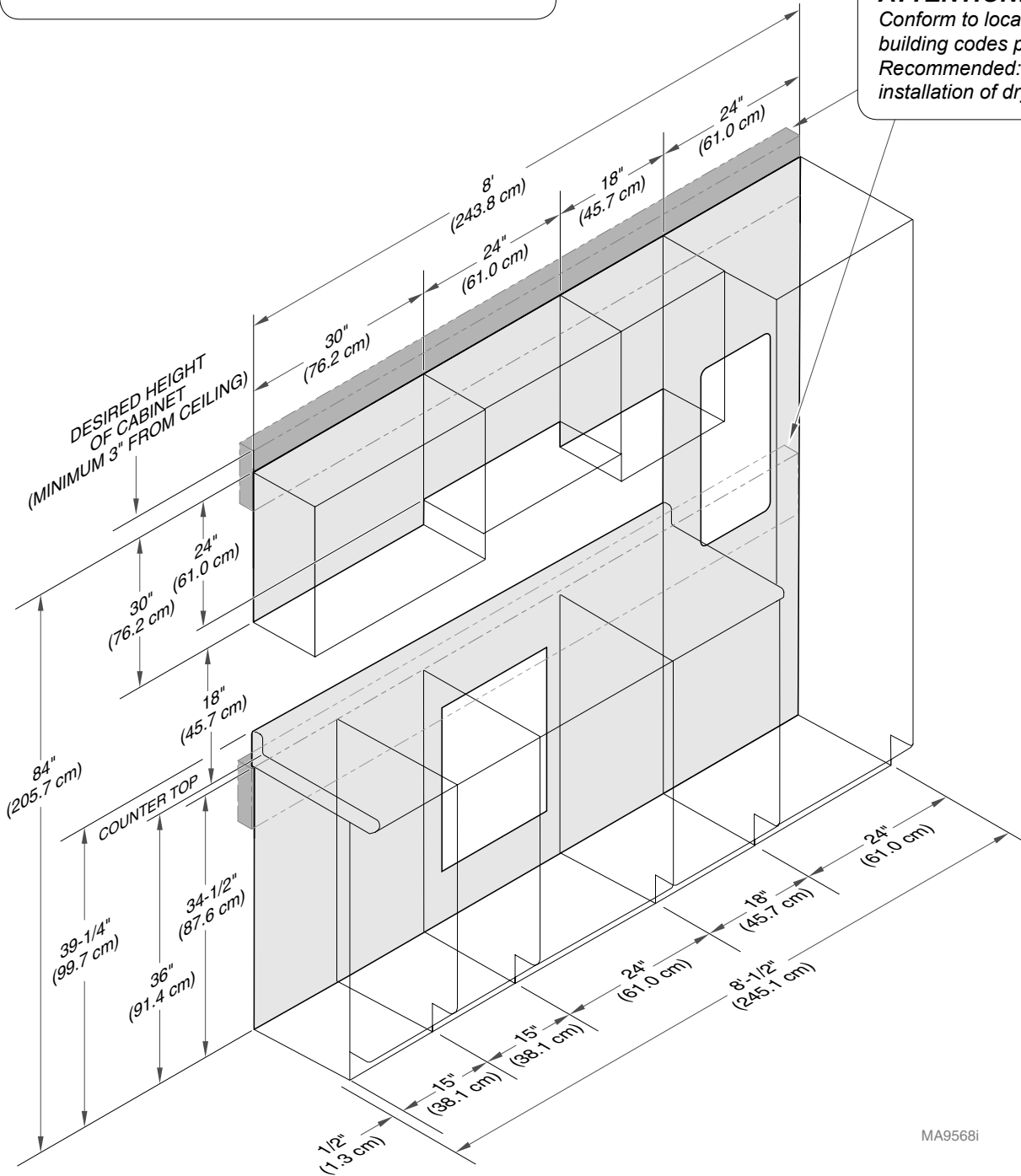
Note

Use the layout below for electrical / plumbing installation.

Refer to "36" High Sink Base Cabinets" and "84" High Sterilizer Cabinet" for details of sink and cabinet cut-outs.

ATTENTION:

Conform to local, city, or national building codes prior to the installation.
Recommended: 2 x 6 backing prior to installation of drywall.



MA9568i

12' Steri-Center Casework

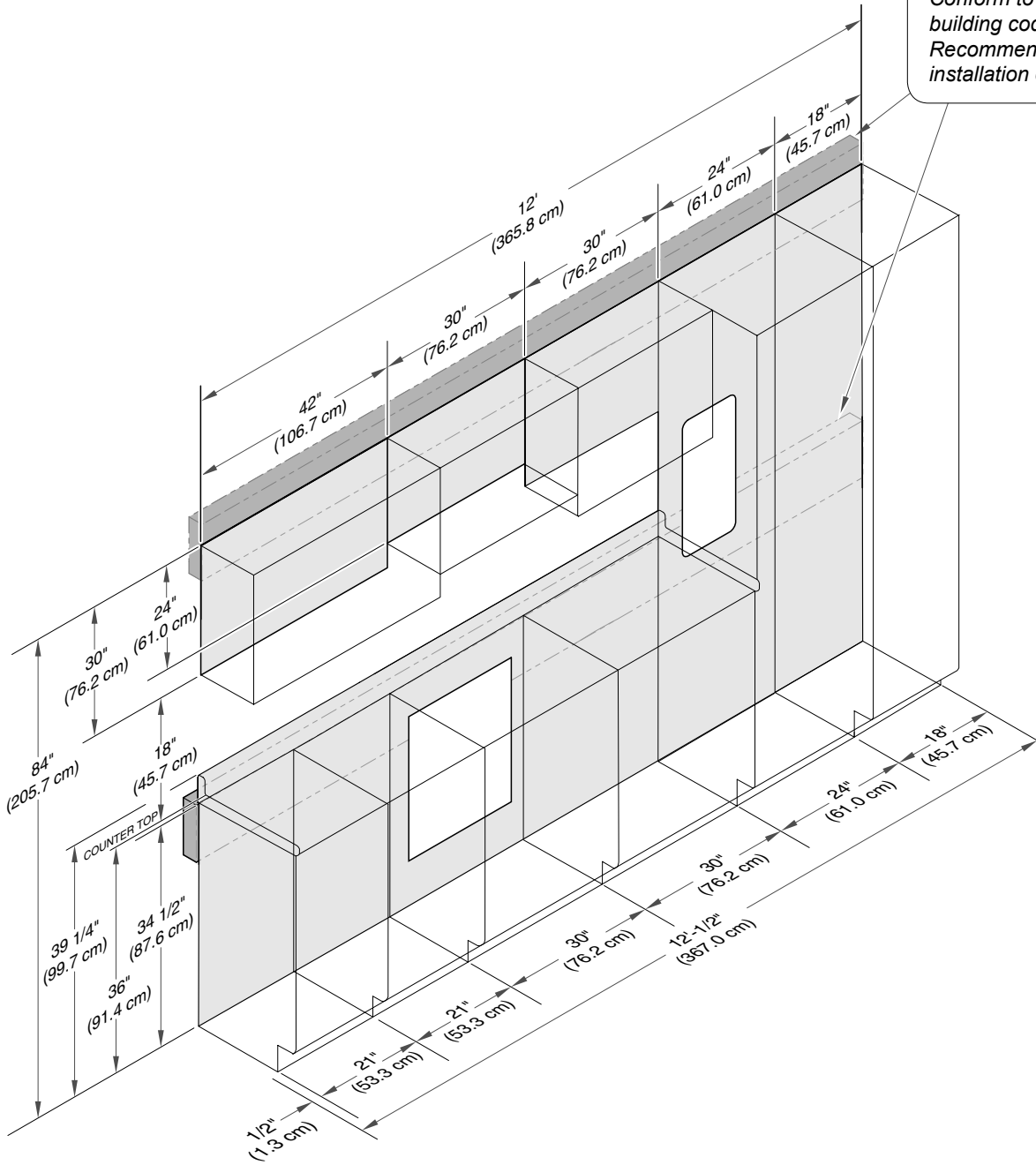
Note

Use the layout below for electrical / plumbing installation.

Refer to "36" High Sink Base Cabinets" and "84" High Sterilizer Cabinet" for details of sink and cabinet cut-outs.

ATTENTION:

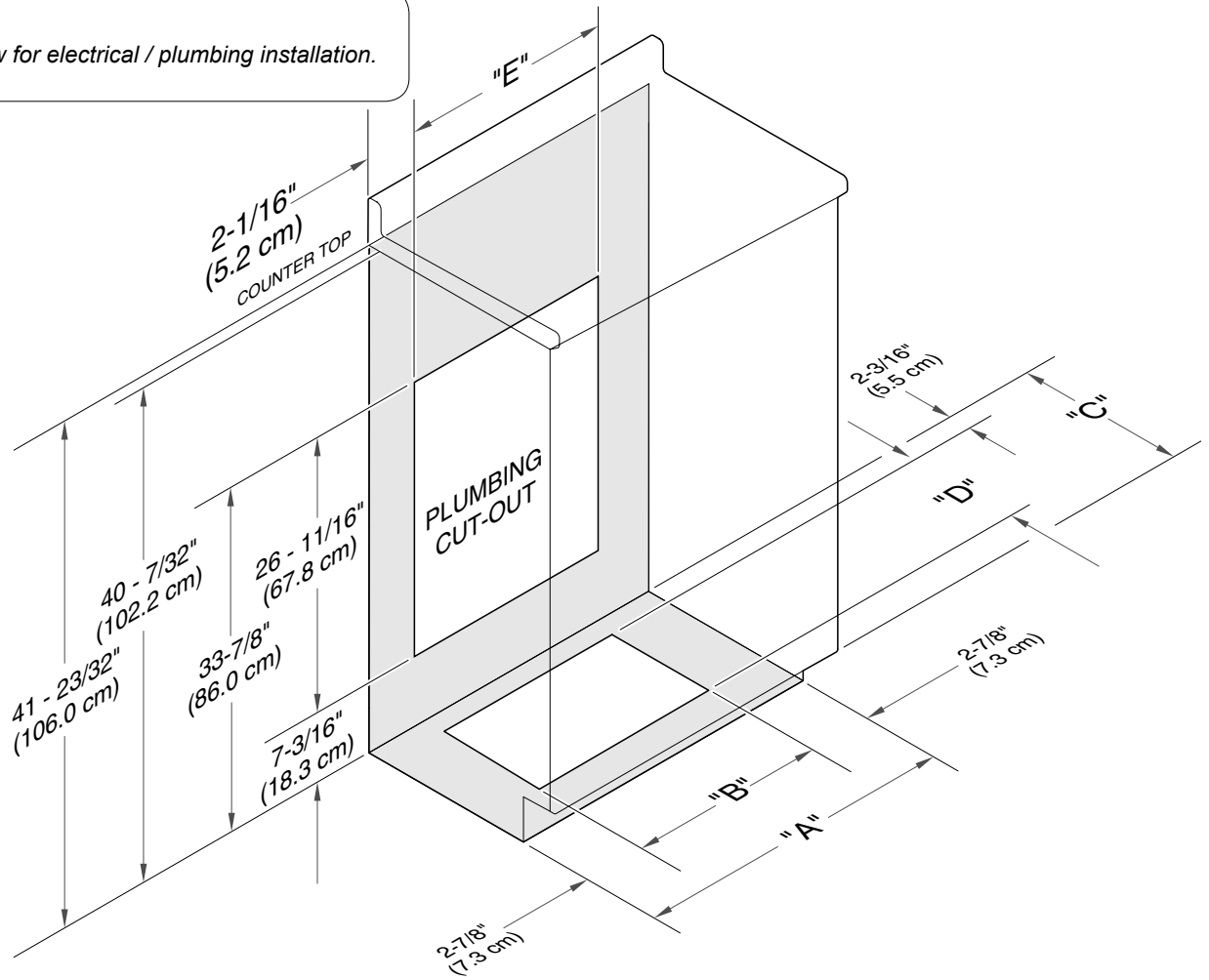
Conform to local, city, or national building codes prior to the installation. Recommended: 2 x 6 backing prior to installation of drywall.



42" High Sink Base Cabinets

Note

Use the layout below for electrical / plumbing installation.



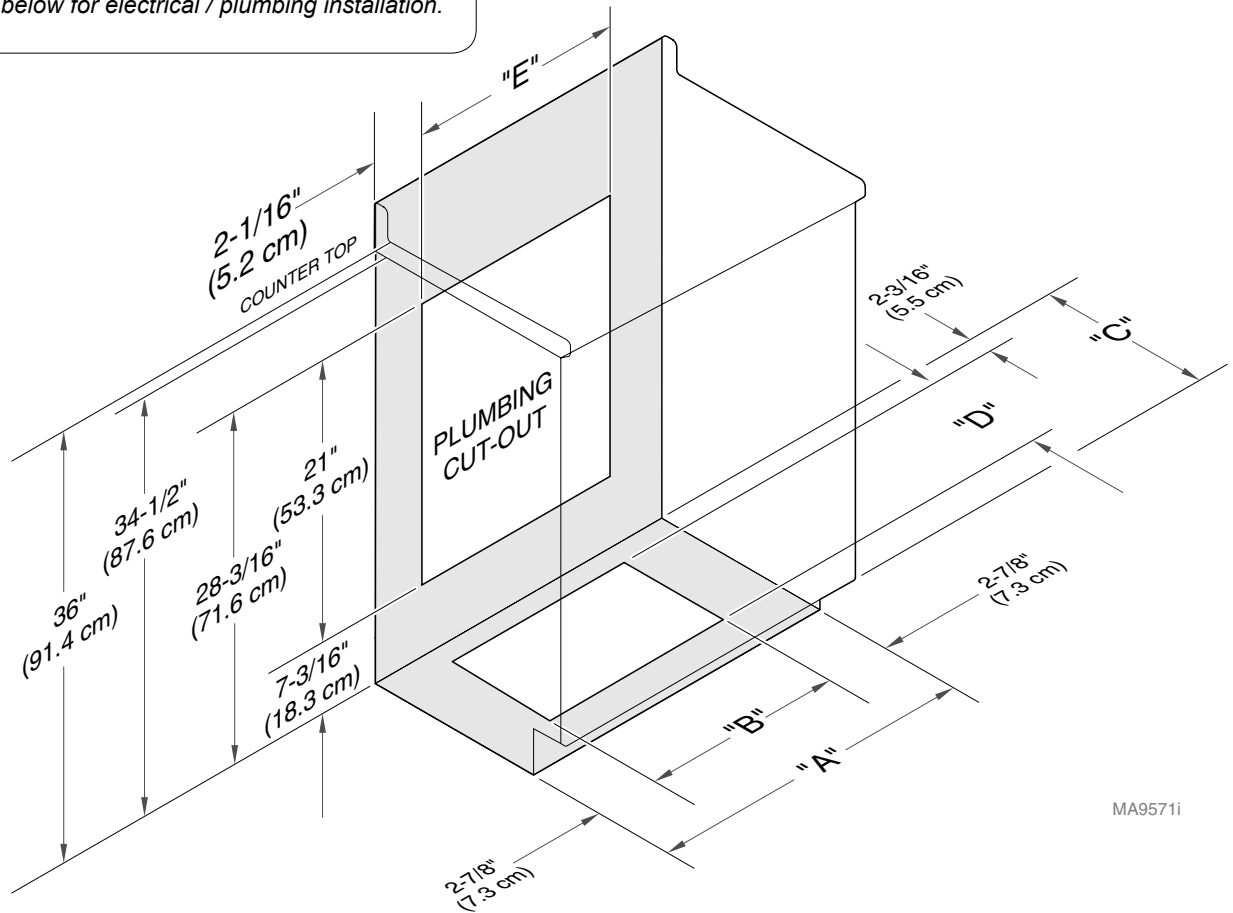
Dimensions Table

A	B	C	D	E
18" (45.7 cm)	12.25" (31.1 cm)	17" (43.2 cm)	5.0" (12.7 cm)	13.875" (35.2 cm)
21" (53.3 cm)	15.25" (38.7 cm)	17" (43.2 cm)	6.5" (16.5 cm)	16.875" (42.9 cm)
24" (61 cm)	18.25" (46.4 cm)	17" (43.2 cm)	6.5" (16.5 cm)	19.875" (45.7 cm)
30" (76.2 cm)	24.25" (61.6 cm)	17" (43.2 cm)	6.5" (16.5 cm)	21.875" (55.6 cm)
36" (91.4 cm)	30.25" (76.8 cm)	17" (43.2 cm)	6.5" (16.5 cm)	31.875" (81 cm)
18" (45.7 cm)	12.25" (31.1 cm)	23" (58.4 cm)	11.0" (27.9 cm)	13.875" (35.2 cm)
21" (53.3 cm)	15.25" (38.7 cm)	23" (58.4 cm)	12.5" (31.8 cm)	16.875" (42.9 cm)
24" (61 cm)	18.25" (46.4 cm)	23" (58.4 cm)	12.5" (31.8 cm)	19.875" (45.7 cm)
30" (76.2 cm)	24.25" (61.6 cm)	23" (58.4 cm)	12.5" (31.8 cm)	21.875" (55.6 cm)
36" (91.4 cm)	30.25" (76.8 cm)	23" (58.4 cm)	12.5" (31.8 cm)	31.875" (81 cm)

36" High Sink Base Cabinets

Note

Use the layout below for electrical / plumbing installation.



MA9571i

Dimensions Table

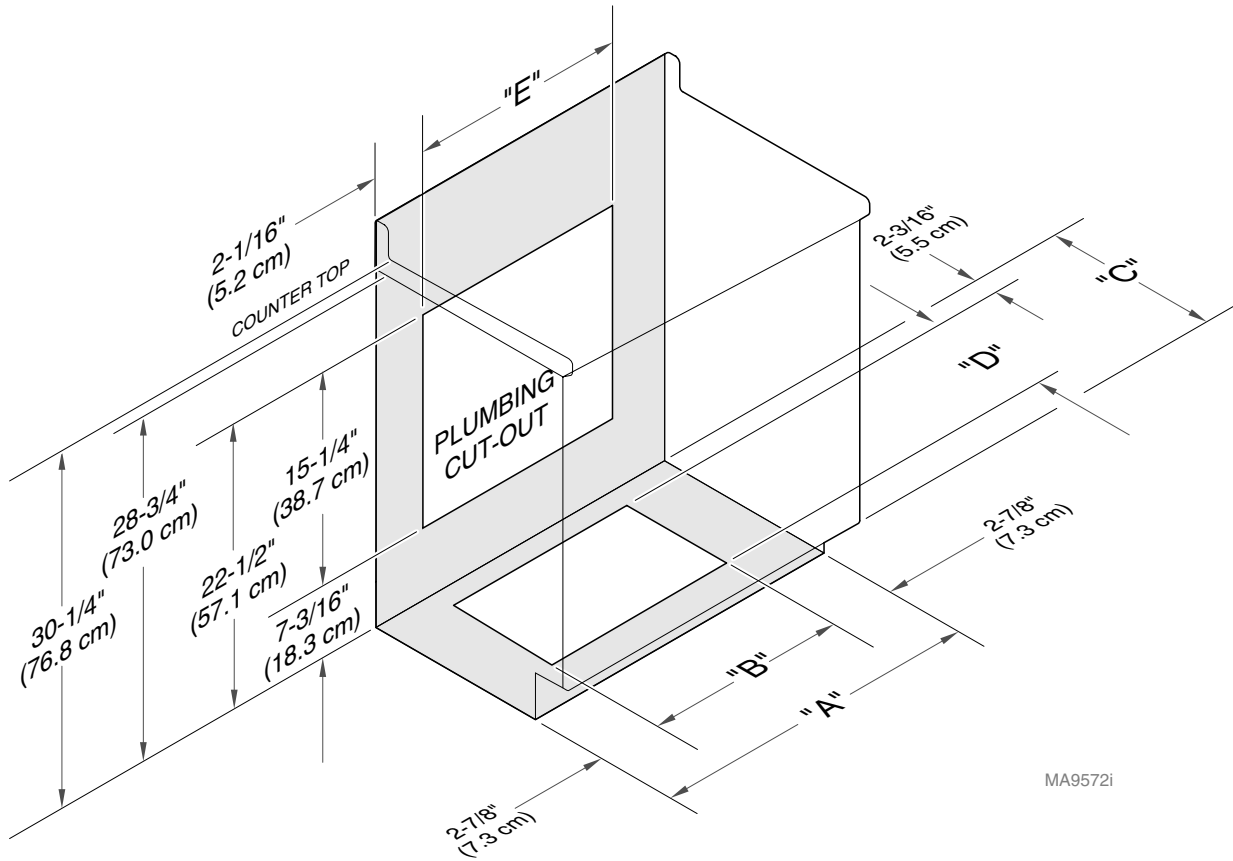
A	B	C	D	E
18" (45.7 cm)	12.25" (31.1 cm)	17" (43.2 cm)	5.0" (12.7 cm)	13.875" (35.2 cm)
21" (53.3 cm)	15.25" (38.7 cm)	17" (43.2 cm)	6.5" (16.5 cm)	16.875" (42.9 cm)
24" (61 cm)	18.25" (46.4 cm)	17" (43.2 cm)	6.5" (16.5 cm)	19.875" (45.7 cm)
30" (76.2 cm)	24.25" (61.6 cm)	17" (43.2 cm)	6.5" (16.5 cm)	21.875" (55.6 cm)
36" (91.4 cm)	30.25" (76.8 cm)	17" (43.2 cm)	6.5" (16.5 cm)	31.875" (81 cm)
18" (45.7 cm)	12.25" (31.1 cm)	23" (58.4 cm)	11.0" (27.9 cm)	13.875" (35.2 cm)
21" (53.3 cm)	15.25" (38.7 cm)	23" (58.4 cm)	12.5" (31.8 cm)	16.875" (42.9 cm)
24" (61 cm)	18.25" (46.4 cm)	23" (58.4 cm)	12.5" (31.8 cm)	19.875" (45.7 cm)
30" (76.2 cm)	24.25" (61.6 cm)	23" (58.4 cm)	12.5" (31.8 cm)	21.875" (55.6 cm)
36" (91.4 cm)	30.25" (76.8 cm)	23" (58.4 cm)	12.5" (31.8 cm)	31.875" (81 cm)

TP212 Rev. A

30" High Sink Base Cabinets

Note

Use the layout below for electrical / plumbing installation.



MA9572i

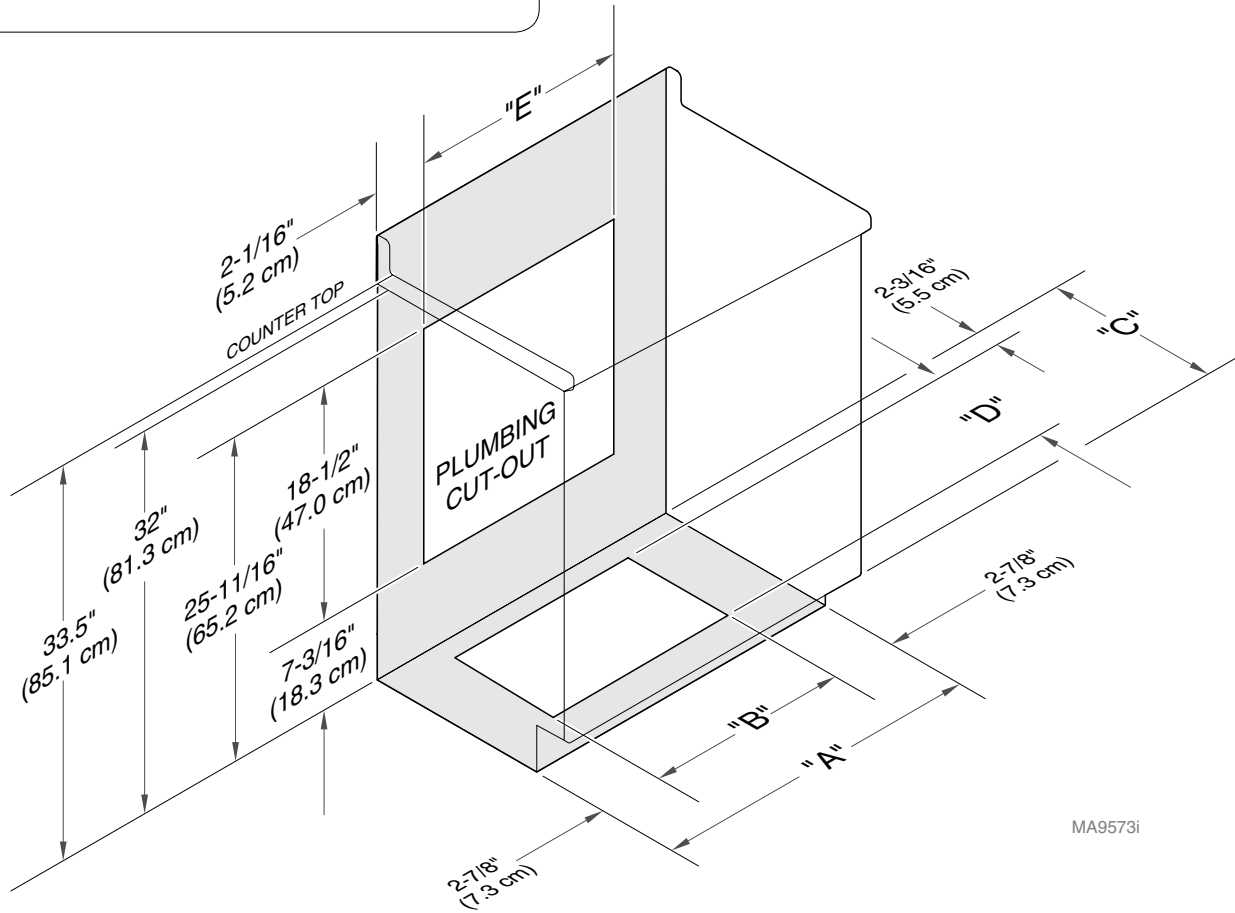
Dimensions Table				
A	B	C	D	E
18" (45.7 cm)	12.25" (31.1 cm)	17" (43.2 cm)	5.0" (12.7 cm)	13.875" (35.2 cm)
21" (53.3 cm)	15.25" (38.7 cm)	17" (43.2 cm)	6.5" (16.5 cm)	16.875" (42.9 cm)
24" (61 cm)	18.25" (46.4 cm)	17" (43.2 cm)	6.5" (16.5 cm)	19.875" (45.7 cm)
30" (76.2 cm)	24.25" (61.6 cm)	17" (43.2 cm)	6.5" (16.5 cm)	21.875" (55.6 cm)
36" (91.4 cm)	30.25" (76.8 cm)	17" (43.2 cm)	6.5" (16.5 cm)	31.875" (81 cm)
18" (45.7 cm)	12.25" (31.1 cm)	23" (58.4 cm)	11.0" (27.9 cm)	13.875" (35.2 cm)
21" (53.3 cm)	15.25" (38.7 cm)	23" (58.4 cm)	12.5" (31.8 cm)	16.875" (42.9 cm)
24" (61 cm)	18.25" (46.4 cm)	23" (58.4 cm)	12.5" (31.8 cm)	19.875" (45.7 cm)
30" (76.2 cm)	24.25" (61.6 cm)	23" (58.4 cm)	12.5" (31.8 cm)	21.875" (55.6 cm)
36" (91.4 cm)	30.25" (76.8 cm)	23" (58.4 cm)	12.5" (31.8 cm)	31.875" (81 cm)

TP212 Rev. A

34" High Sink Base Cabinets

Note

Use the layout below for electrical / plumbing installation.



MA9573i

Dimensions Table				
A	B	C	D	E
18" (45.7 cm)	12.25" (31.1 cm)	17" (43.2 cm)	5.0" (12.7 cm)	13.875" (35.2 cm)
21" (53.3 cm)	15.25" (38.7 cm)	17" (43.2 cm)	6.5" (16.5 cm)	16.875" (42.9 cm)
24" (61 cm)	18.25" (46.4 cm)	17" (43.2 cm)	6.5" (16.5 cm)	19.875" (45.7 cm)
30" (76.2 cm)	24.25" (61.6 cm)	17" (43.2 cm)	6.5" (16.5 cm)	21.875" (55.6 cm)
36" (91.4 cm)	30.25" (76.8 cm)	17" (43.2 cm)	6.5" (16.5 cm)	31.875" (81 cm)
18" (45.7 cm)	12.25" (31.1 cm)	23" (58.4 cm)	11.0" (27.9 cm)	13.875" (35.2 cm)
21" (53.3 cm)	15.25" (38.7 cm)	23" (58.4 cm)	12.5" (31.8 cm)	16.875" (42.9 cm)
24" (61 cm)	18.25" (46.4 cm)	23" (58.4 cm)	12.5" (31.8 cm)	19.875" (45.7 cm)
30" (76.2 cm)	24.25" (61.6 cm)	23" (58.4 cm)	12.5" (31.8 cm)	21.875" (55.6 cm)
36" (91.4 cm)	30.25" (76.8 cm)	23" (58.4 cm)	12.5" (31.8 cm)	31.875" (81 cm)

TP212 Rev. A

24" High Wall Hanging Sink Base Cabinets (ADA)

Note

Use the layout below for electrical / plumbing installation.

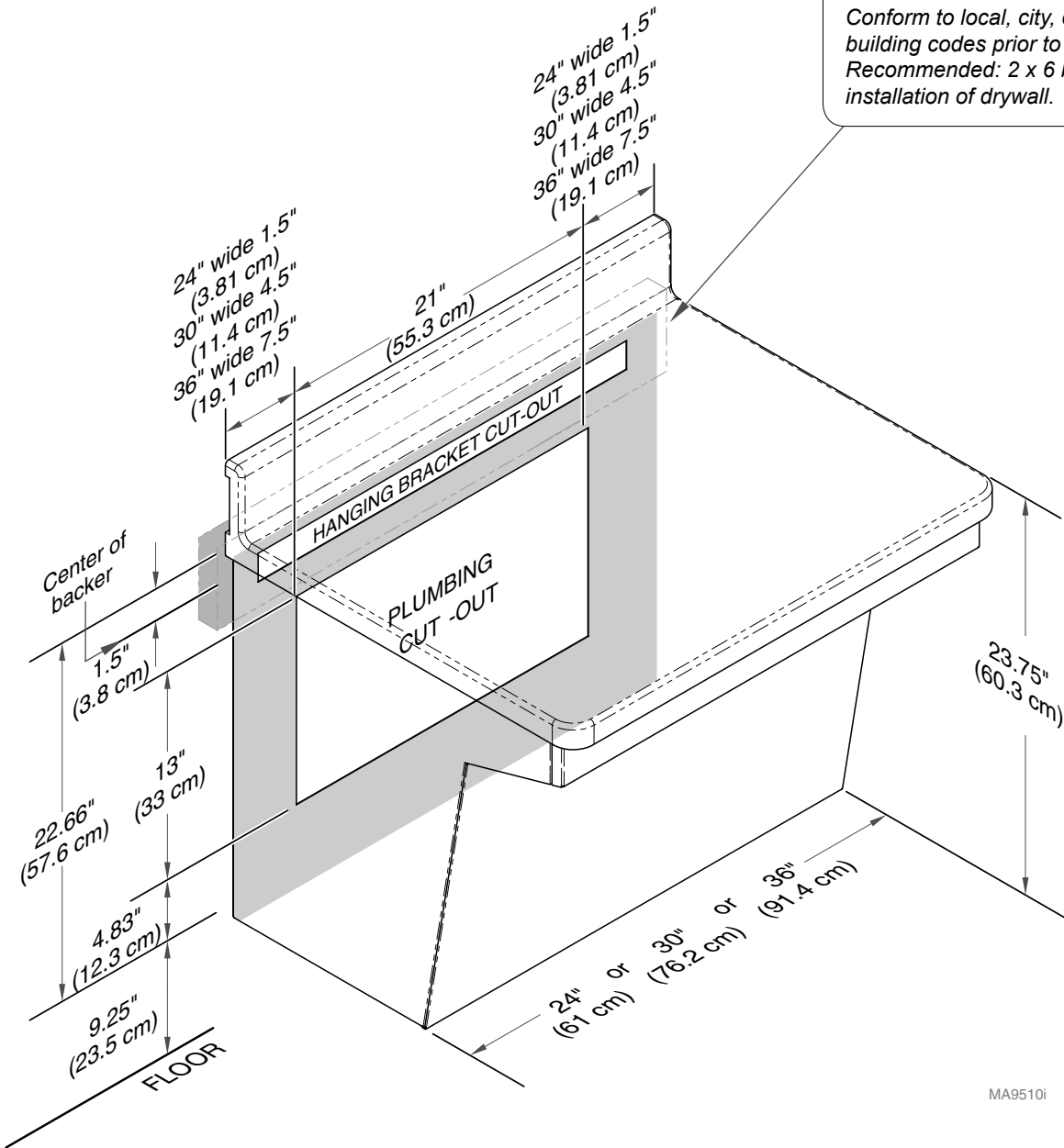
Note

Midmark recommends the top of the countertop should be at 33" off of the floor.

ADA compliance should be of a max height of 34" from floor, measured from either top of countertop or top of sink whichever is highest.

ATTENTION:

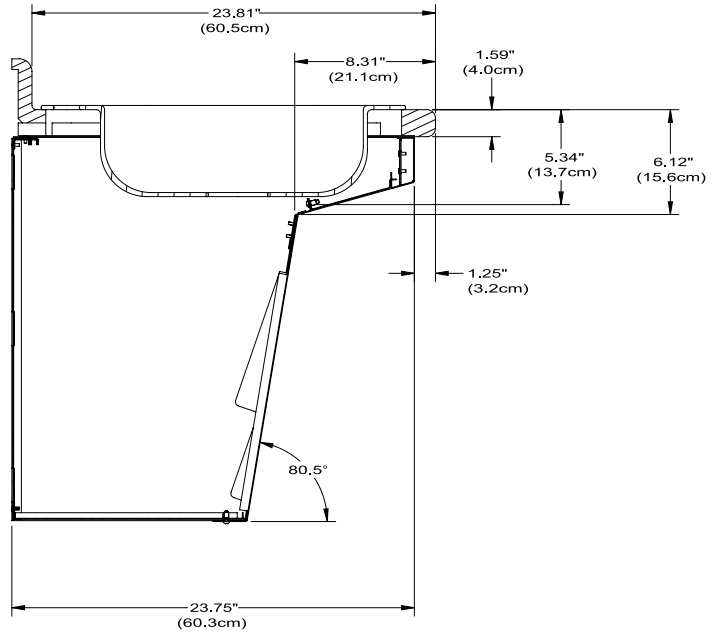
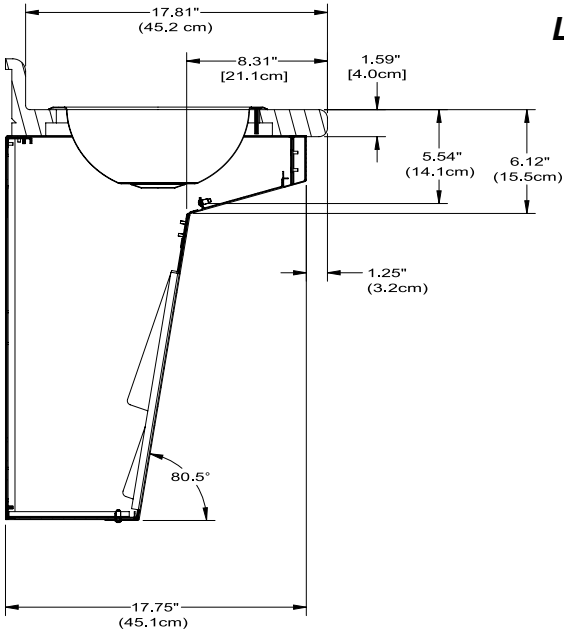
Conform to local, city, or national building codes prior to the installation.
Recommended: 2 x 6 backing prior to installation of drywall.



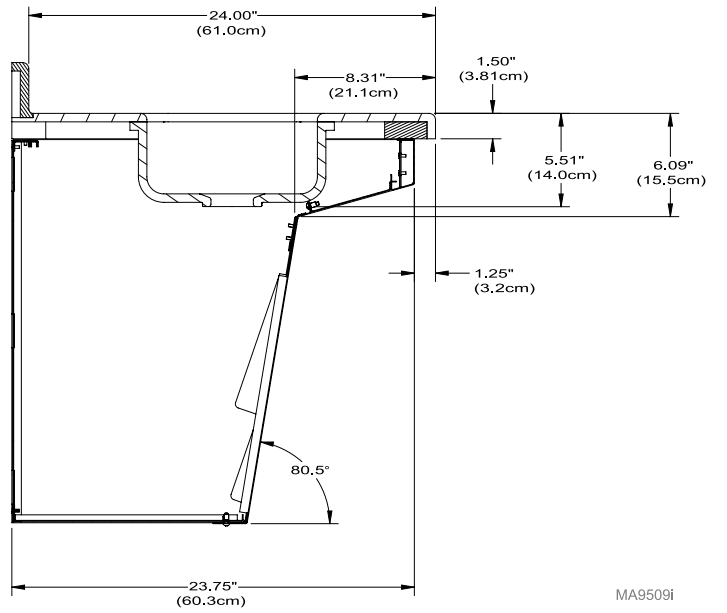
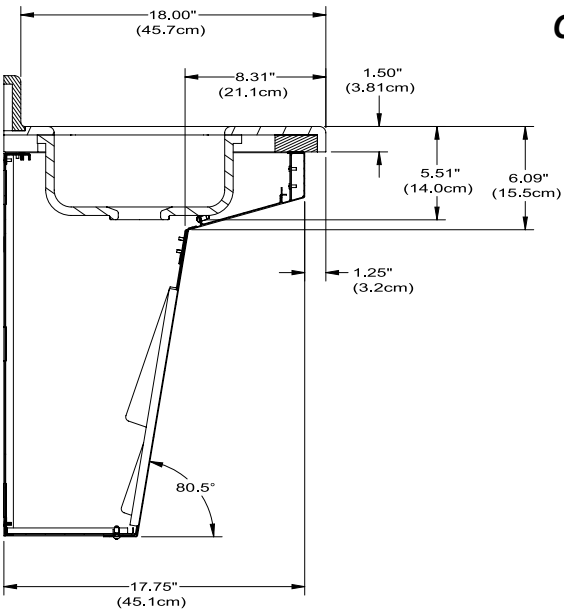
MA9510I

24" High Wall Hanging Sink Clearance (ADA)

Laminate



Corian

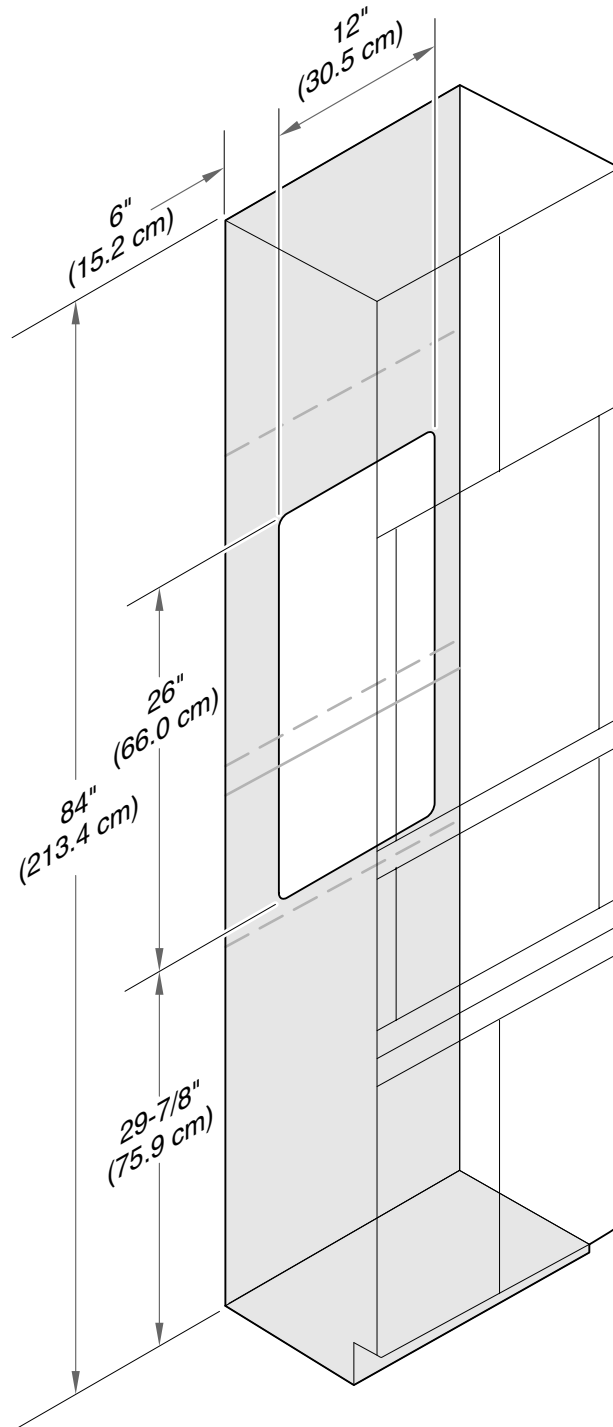


MA9509i

**84" High Sterilizer Cabinet:
24" Width (Available ONLY)**

Note

Use the layout below for electrical / plumbing installation.

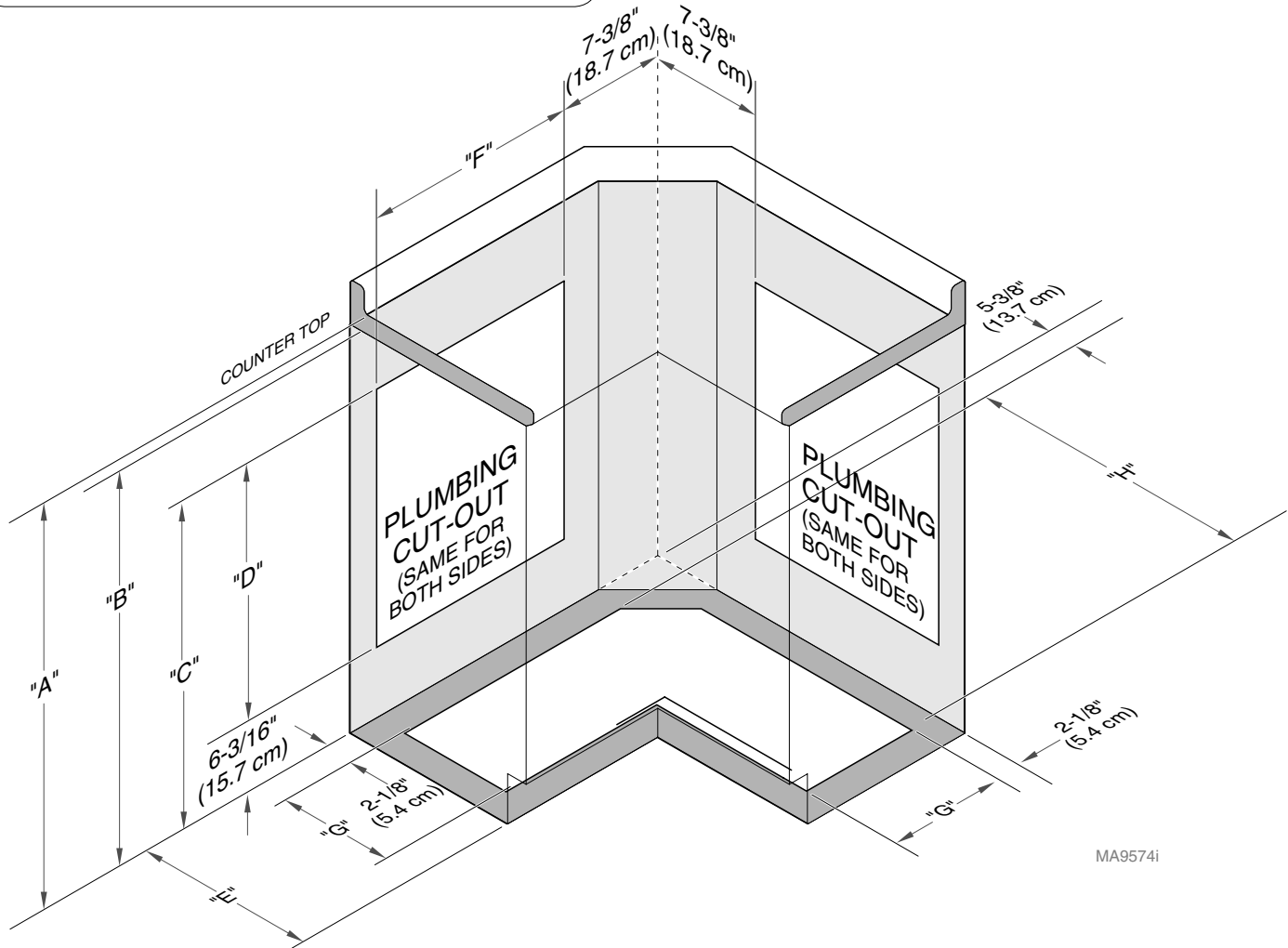


MA9575i

Corner Sink Cabinet

Note

Use the layout below for electrical / plumbing installation.



MA9574i

Dimensions Table

WIDTH	HEIGHT	DEPTH	A	B	C	D	E	F	G	H
30	30	18	30.25" (76.8 cm)	28.75" (73 cm)	22.5" (57.2 cm)	16.25" (41.3 cm)	17" (43.2 cm)	19" (48.3 cm)	7" (17.8 cm)	24.5" (62.2 cm)
36	30	24	30.25" (76.8 cm)	28.75" (73 cm)	22.5" (57.2 cm)	16.25" (41.3 cm)	23" (58.4 cm)	25" (63.5 cm)	13" (33 cm)	30.5" (77.5 cm)
30	34	18	33.5" (85.1 cm)	32" (81.3 cm)	25.75" (65.4 cm)	19.5" (49.5 cm)	17" (43.2 cm)	19" (48.3 cm)	7" (17.8 cm)	24.5" (62.2 cm)
36	34	24	33.5" (85.1 cm)	32" (81.3 cm)	25.75" (65.4 cm)	19.5" (49.5 cm)	23" (58.4 cm)	25" (63.5 cm)	13" (33 cm)	30.5" (77.5 cm)
30	36	18	36" (91.4 cm)	34.5" (87.6 cm)	28.25" (71.8 cm)	22" (55.9 cm)	17" (43.2 cm)	19" (48.3 cm)	7" (17.8 cm)	24.5" (62.2 cm)
36	36	24	36" (91.4 cm)	34.5" (87.6 cm)	28.25" (71.8 cm)	22" (55.9 cm)	23" (58.4 cm)	25" (63.5 cm)	13" (33 cm)	30.5" (77.5 cm)
30	42	18	41-23/32" (106.0 cm)	40-7/32" (102.2 cm)	33-7/8" (86.0 cm)	26-11/16" (67.8 cm)	17" (43.2 cm)	19" (48.3 cm)	7" (17.8 cm)	24.5" (62.2 cm)
36	42	24	41-23/32" (106.0 cm)	40-7/32" (102.2 cm)	33-7/8" (86.0 cm)	26-11/16" (67.8 cm)	23" (58.4 cm)	25" (63.5 cm)	13" (33 cm)	30.5" (77.5 cm)

TP212 Rev. A