



Synthesis® Casework Collection



User's Info

TP202 Rev. A

003-2812-00 Rev. E (2/1/16)

Product Information

Dealer :

Date of Purchase:

Model / Serial Number:

Midmark Authorized Service Company:

Product Information

Step 1. Configuration

BM81 27" High Mobile Base Cabinet

Step 2. Width

18 18" wide

21 21" wide

Step 3. Depth

18 18" deep

Step 4. Panel Style

C Cove

P Pinnacle

R Renew

S Serenity

T Transend

Step 5. Cabinet Finish

P Solid PET

S Solid

W Woodgrain

Step 6. Lock

1 None

C Central (All Drws) - Keyed

Step 7. Handle Finish *available finishes on Flat, Shaker, & Raised Panels

A Brushed Nickel

B Anti-Micro Copper

N None

Step 8. Caster Style

A 3" Hard Surf, Locking

F 4" Hard Surf, Locking

Step 9. Top Style

A Kydex Top Contoured

B Kydex Top Squared

Example

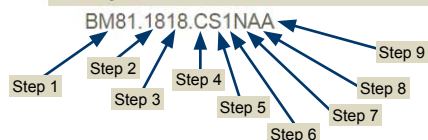


Table of Contents

Important Information

<u>Product Information</u>	2
<u>Safety Symbols</u>	4
<u>Product Registration</u>	4
<u>Transportation / Storage Conditions</u>	4

Operation

<u>Intended Use</u>	5
<u>Electrical Requirements</u>	5
<u>Electromagnetic Interference</u>	5
<u>Authorized CE Representative</u>	5
<u>Disposal of Equipment</u>	5
<u>Removal / Installation of Drawers</u>	6

Maintenance

<u>Call for Service</u>	7
<u>Cleaning</u>	7
<u>Preventative Maintenance</u>	7

Mobile Carts

<u>Weight Tolerance</u>	8
-------------------------------	---

Install/ Adjustments

<u>Installing Door, Handles and Shelves</u>	9
<u>Door Adjustment</u>	10 - 11

Limited Warranty

<u>Scope of Warranty</u>	12
<u>Applicable Warranty Period</u>	12
<u>Exclusions</u>	12
<u>Exclusive Remedy</u>	13
<u>RGA Policy</u>	13

Important Information

Safety Symbols



DANGER

Indicates an imminently hazardous situation which will result in serious or fatal injury. This symbol is used only in the most extreme conditions.



WARNING

Indicates a potentially hazardous situation which could result in serious injury.



Caution

Indicates a potentially hazardous situation which may result in minor or moderate injury. It may also be used to alert against unsafe practices



Equipment Alert

Indicates a potentially hazardous situation which could result in equipment damage.

Product Registration

To register your product, go to www.midmark.com

Transportation / Storage Conditions

Ambient Temperature Range:..... 50°F to 104°F (+10°C to +40°C)
Relative Humidity..... 10% to 90% (non-condensing)
Atmospheric Pressure 700hPa (20 in.Hg) to 1060hPa (31 in.Hg)

Intended Use

The intended use of the Synthesis® Medical Casework product line is to provide health care professionals with a casework system that meets all of their design, aesthetic, and storage needs.

Electrical Requirements



Caution

When using high frequency surgical devices or endocardial catheters:

- *Use non-conductive material to insulate patient from metal portions of the chair.*
- *Consult operating instructions for the device before using in conjunction with drawer or upholstery heaters.*

Failure to comply may result in electric shock or burns to patient.

Electromagnetic Interference

This product is designed and built to minimize electromagnetic interference with other devices. However, if interference is noticed between another device and this product:

- Remove interfering device from room
- Plug chair into isolated circuit
- Increase separation between chair and interfering device
- Contact Midmark if interference persists

Authorized EU Representative

Countries in the EU should direct all questions, incidents, and complaints to Midmark's Authorized EU representative listed below.

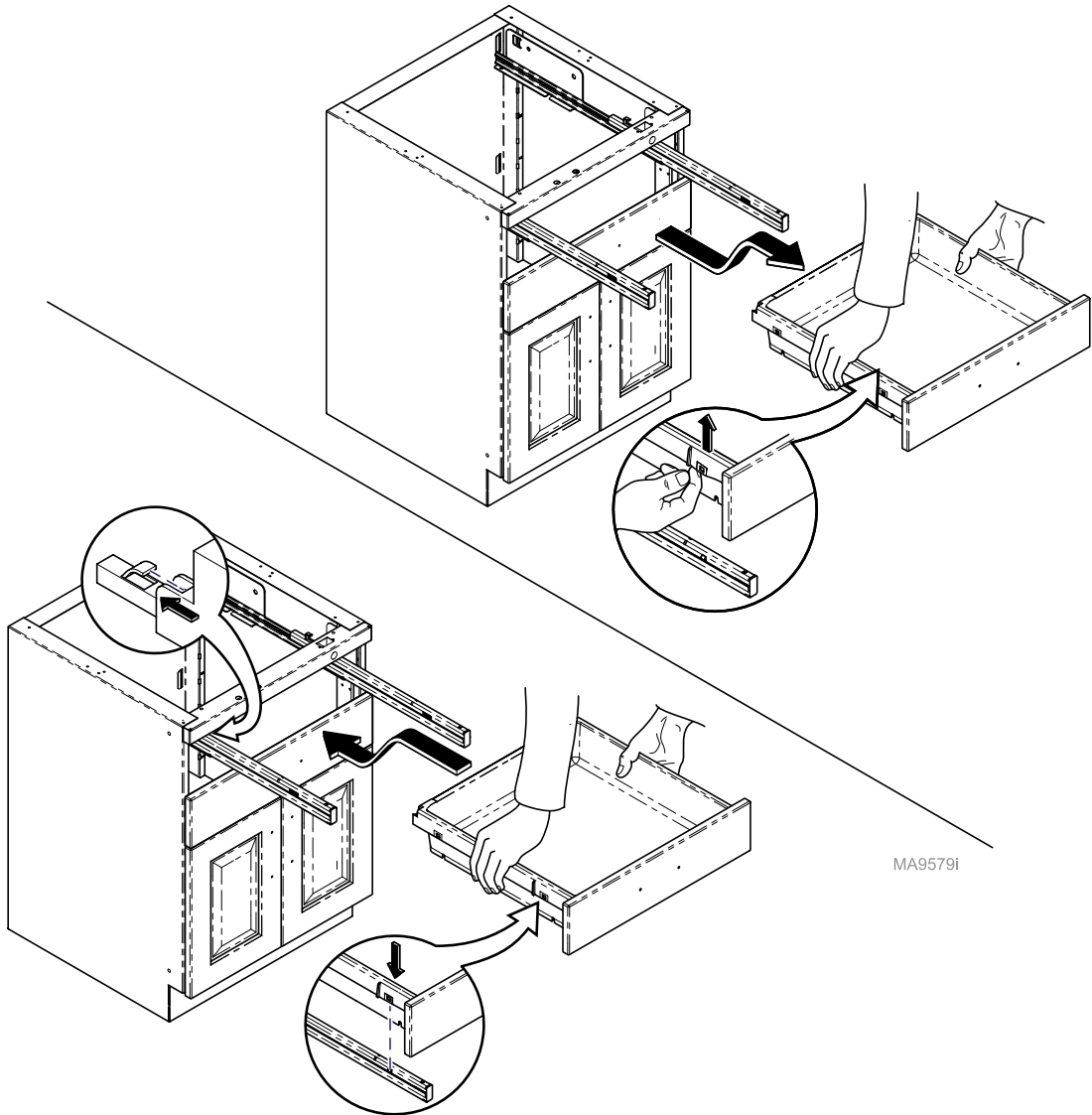
Midmark EMEA Ltd
Beech House
First Floor, East Wing
Ancells Business Park
Fleet
Hampshire
United Kingdom
Tel: + 44 (0) 1252 360 940
Fax: + 44 (0) 1252 360 941

Disposal of Equipment

At the end of product life, the chair, accessories, and other consumable goods may become contaminated from normal use. Consult local codes and ordinances for proper disposal of equipment, accessories and other consumable goods.

Removal / Installation of Drawers

To easily clean or remove liquids from drawer simply remove drawers by pulling on sides of drawer to release tabs.



MA9579i

Maintenance

Calling for Service

Note
Model / serial number information is required when calling for service.


If service is required, contact your authorized Midmark dealer.

To contact Midmark directly:

1-800-MIDMARK (1-800-643-6275)
8:00 am until 5:00 pm Monday - Friday (EST)
www.midmark.com

Cleaning

Upholstery

 **Equipment Alert**
The upholstery is resistant to most medicinal-type stains, but may be damaged by solvents and dyes. Immediately remove any fluids spilled on the upholstery.

Spot cleaning use mild soap and water
Difficult stains use a mild solvent
Disinfecting..... use 10:1 diluted bleach solution (water:bleach)

Painted Metal / Plastic Surfaces

Clean the painted metal and plastic surfaces weekly using a clean soft cloth, and mild cleaner. Periodic applications of common furniture wax will ease cleaning, and maintain the finished lustre of the surfaces.

Preventative Maintenance

Periodically inspect the following areas:

- Power cord(s) should be free of cuts or other visible damage.
- All fasteners should be in place and tightened securely.
- All mechanical functions should operate properly.

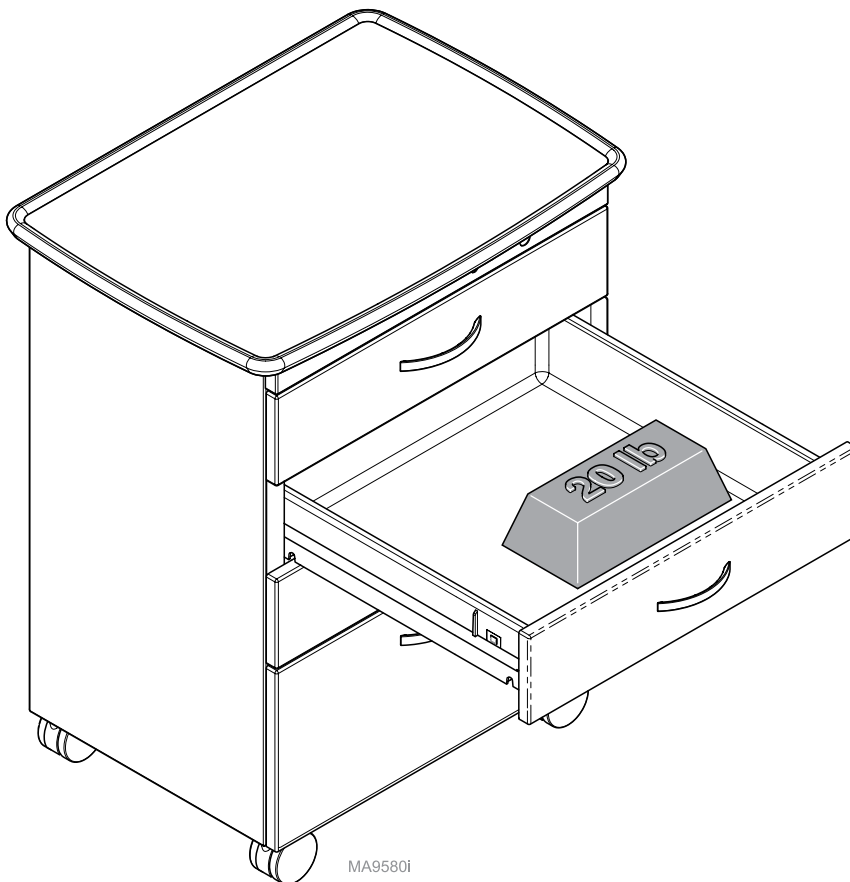
Have an authorized service technician inspect your equipment every six months.

Mobile Carts



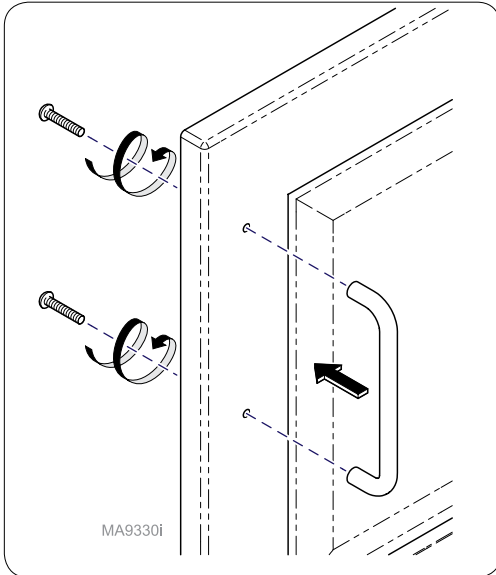
Equipment Alert

The max load for pull-out drawer for Mobile Carts is 20lbs. Loading drawer with more than 20lbs. may cause tipping.

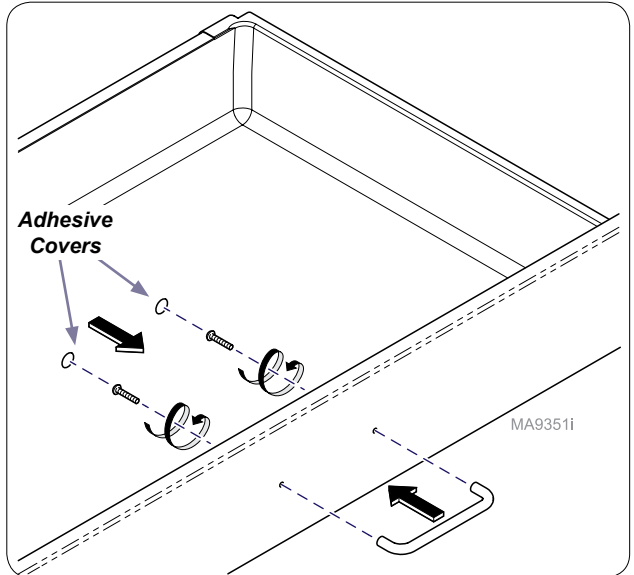


MA9580i

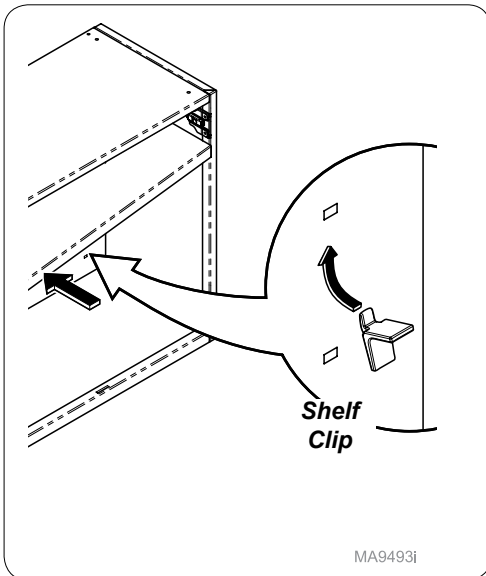
Installing Door, Handles and Shelves



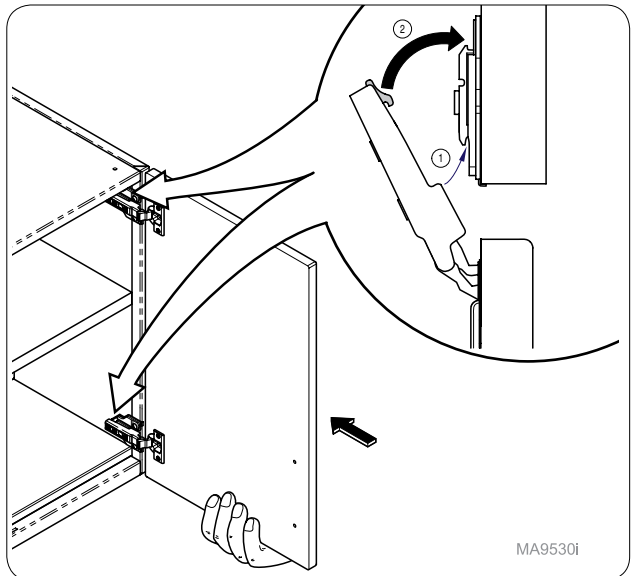
Installing Handles (If applicable)
Install door handle using hardware supplied.



Installing Handles (If applicable)
Install drawer handle using hardware supplied. Place adhesive covers over screw heads.

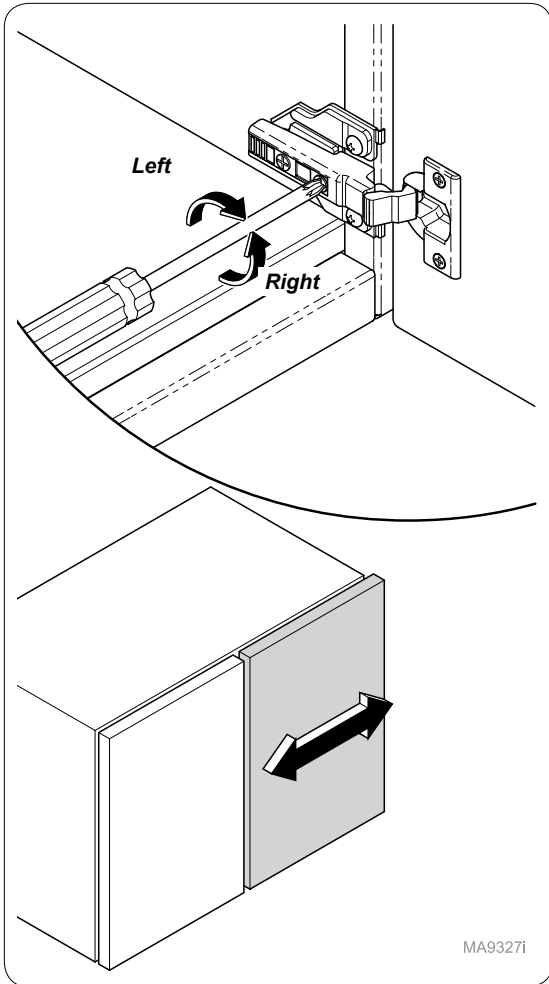


Installing Shelf Clips & Shelf
Tilt shelf to fit into cabinet as shown. Install shelf clips and place shelf on top of clips.



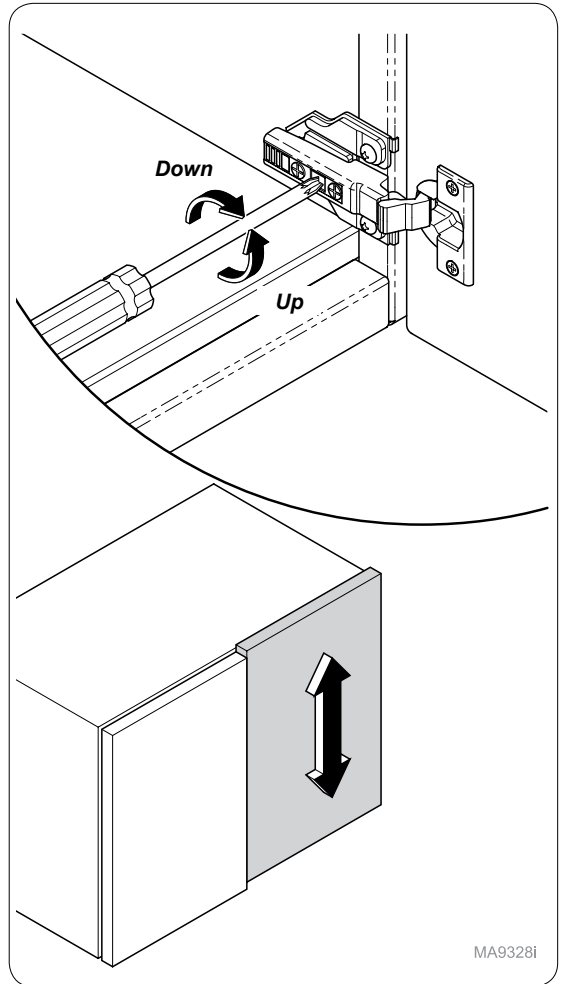
Installing Doors
Install doors as shown.

Door Adjustment



Door Adjustment Side to Side

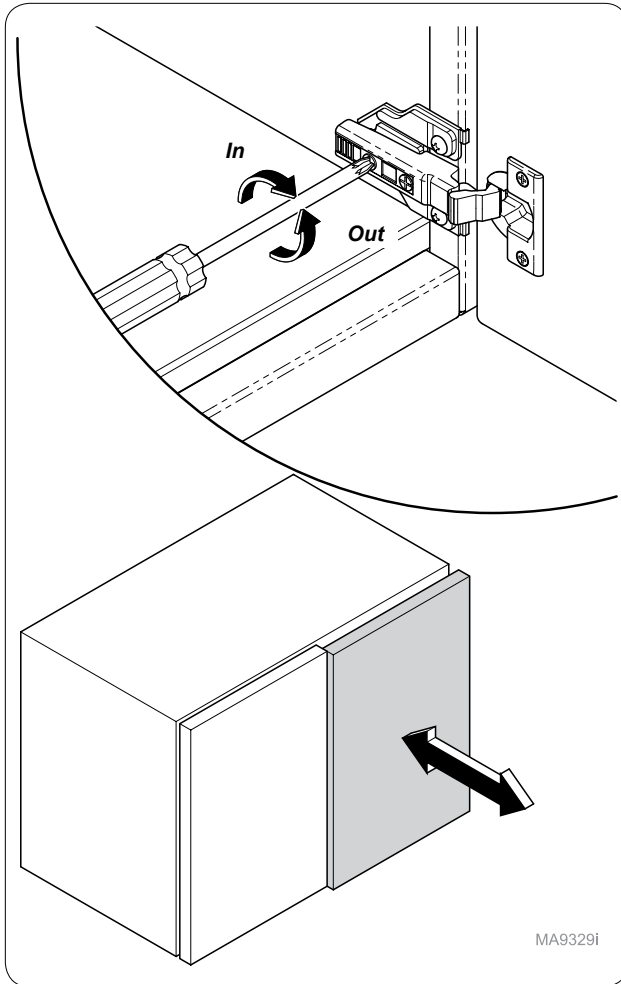
Turn screw located closest to door to increase or decrease the door overlay side to side (+ or - 2 mm).



Door Adjustment Up and Down

Turn cam screw located in center of mounting plate to adjust door position up or down (+ or - 2 mm).

Door Adjustment continued...



MA9329i

Door Adjustment Away or Closer

Turn Spiral Tech cam screw located furthest from door to position the door farther from or closer to cabinet (+3 mm or -2 mm).

Synthesis® Casework Collection by Midmark

MIDMARK MODULAR CASEWORK WARRANTY

Scope of Warranty:

Midmark Corporation warrants to the original purchaser its Midmark Modular Casework products (Synthesis® Casework Collection) manufactured by Midmark to be free from defects in material and workmanship under normal interior use and service. Midmark's obligation under this warranty is limited to the repair or replacement, at Midmark's option, of the parts or the products the defects of which are reported to Midmark within the applicable warranty period and which upon examination by Midmark prove to be defective.

Applicable Warranty Period

The applicable warranty period, measured from the date of delivery to the original user, shall be as follows:

- A. Five years for all Midmark brand products and components (except for the shorter periods in B and C), including door and drawer fronts and casters*
- B. Three years for task lights*
- C. One year for countertop surfaces and accessories*

Exclusions

This warranty does not cover sinks, faucets and plumbing accessories. Any warranties on these items are extended directly by the manufacturer of these items to the original purchaser. Information on these manufacturers' warranties will be enclosed with the applicable products. Also, Midmark will furnish copies of any warranties extended by any such manufacturers upon request.

This warranty does not cover and Midmark shall not be liable for: (1) repairs and replacements required because of misuse, abuse, negligence, alteration, accident, freight damage or tampering; (2) matching of color, grain or texture except to commercially acceptable standards; (3) changes in color caused by natural or artificial light; (4) products which are not installed, used or properly cleaned as required in Midmark's written Installation Manual; (5) specially manufactured products; (6) products considered to be of a consumable nature such as light bulbs and surge suppression products; (7) accessories or parts not manufactured by Midmark; (8) charges by anyone (including Midmark's authorized dealers) for adjustments, repairs, replacement parts, installation or other work performed upon or in connection with such products which is not expressly authorized in writing in advance by Midmark.

Exclusive Remedy

Midmarks' only obligation under this warranty is the repair or replacement of defective parts. Midmark shall not be liable for any direct, special, indirect, incidental, exemplary or consequential damages or delay.

No Authorization

No person or firm is authorized to create for Midmark any other obligation or liability in connection with the products.

THIS WARRANTY IS MIDMARK'S ONLY WARRANTY AND IS IN LIEU OF ALL OTHER WARRANTIES, EXPRESSED OR IMPLIED. MIDMARK MAKES NO IMPLIED WARRANTIES OF ANY KIND INCLUDING ANY WARRANTIES OF MERCHANTABILITY OR FITNESS FOR ANY PARTICULAR PURPOSE. THIS WARRANTY IS LIMITED TO THE REPAIR OR REPLACEMENT OF DEFECTIVE PARTS.

RGA Policy

*Midmark Modular Casework is built to order. This restricts Midmark from receiving product back into inventory. Therefore Midmark cannot issue RGA's (Returned Good Authorization) without a severe penalty. BUILT IN ITEMS CANNOT BE RETURNED. Products that are acceptable to return to Midmark in its original packaging and have **NOT** been installed prior to returning include Faucets, Sinks, and Task Lights.*

Midmark Corporation

60 Vista Drive

Versailles, OH 45380 USA

1-800-643-6275

1-937-526-3662



Because we care.