



# Base Cabinet Drawer Single Keyed Lock Installation [002-1901-xx]

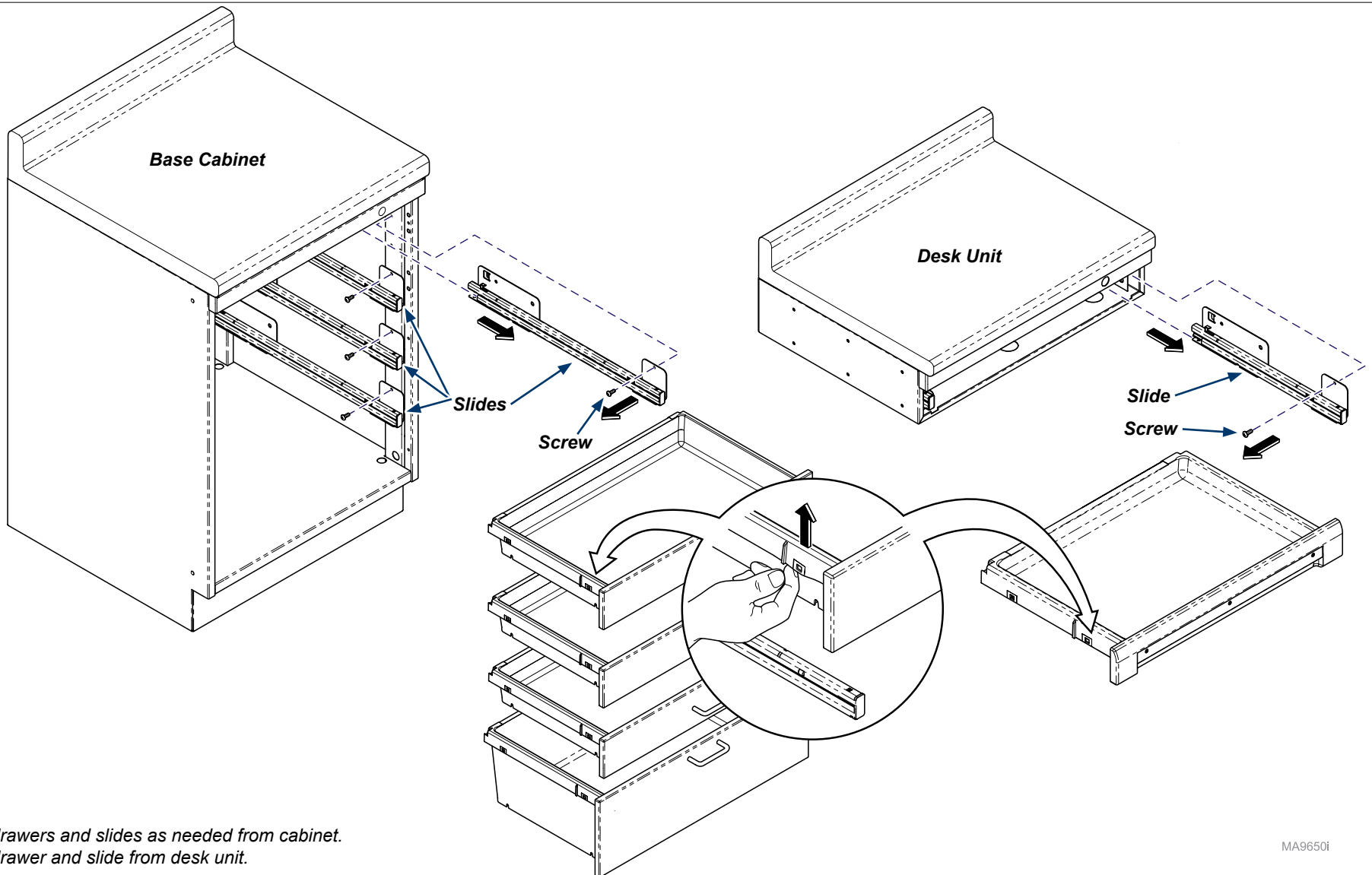
**Contents:**  
Installation ..... 1-4  
Exploded View ..... 5

**Special Tools:**  
none

Language of origin: English

**Note**

This install can be used for any Base Cabinet Single Drawer Keyed Lock installation. The assembly process will be the same. The Lock Bar will be a different size depending on the number of drawers.

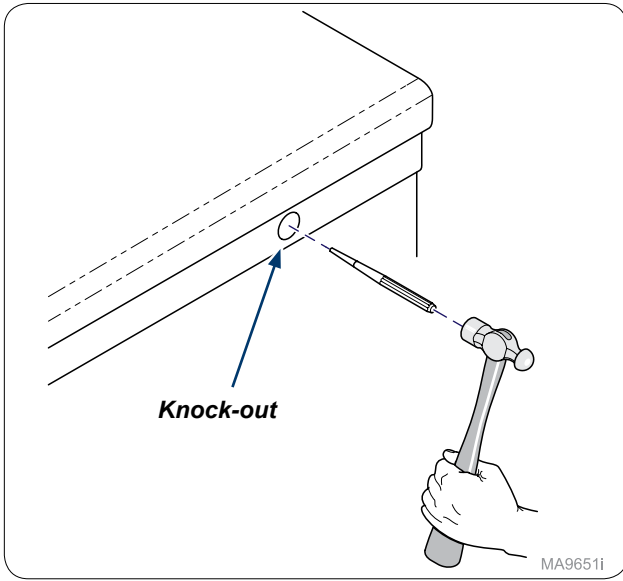


**Step 1:**

Remove drawers and slides as needed from cabinet.  
Remove drawer and slide from desk unit.

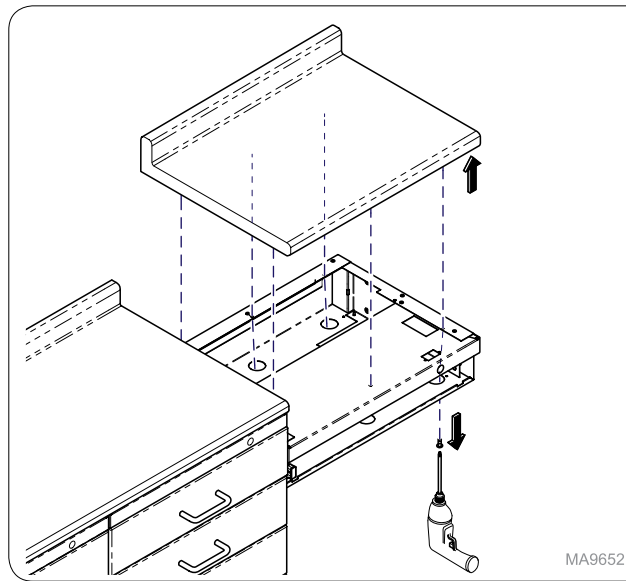
MA9650i

TP200 Rev. A



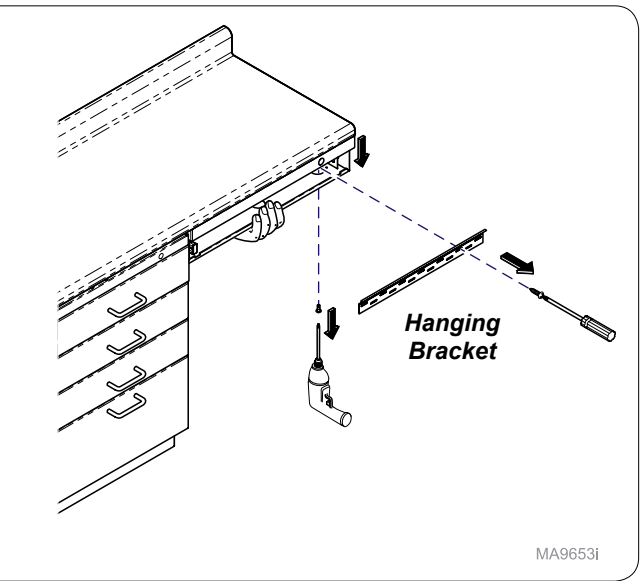
**Step 2:**  
Remove knock-out with a punch.

MA9651i



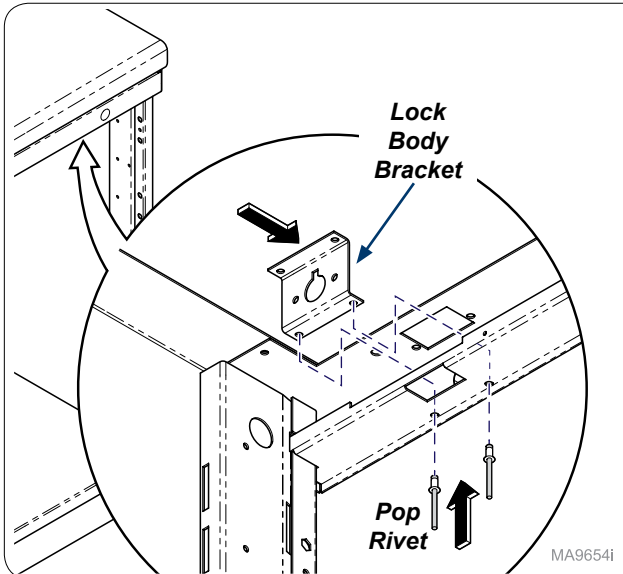
**Step 3: Desk Units (only)**  
Remove screws in countertop and remove from desk unit.  
**Note: Only applies to drop down desk as shown.**

MA9652i



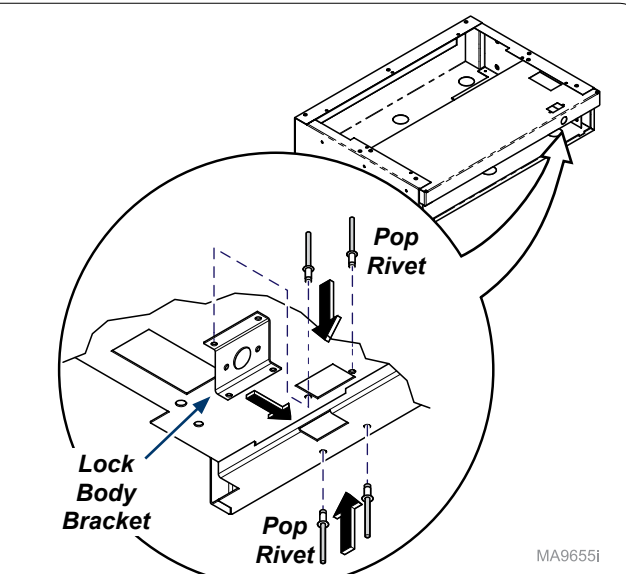
**Step 3: Desk Units (only)**  
Remove screws from countertop, hold desk while removing hanging bracket from wall to remove desk unit.  
**Note: Only applies to desk units in a straight run.**

MA9653i



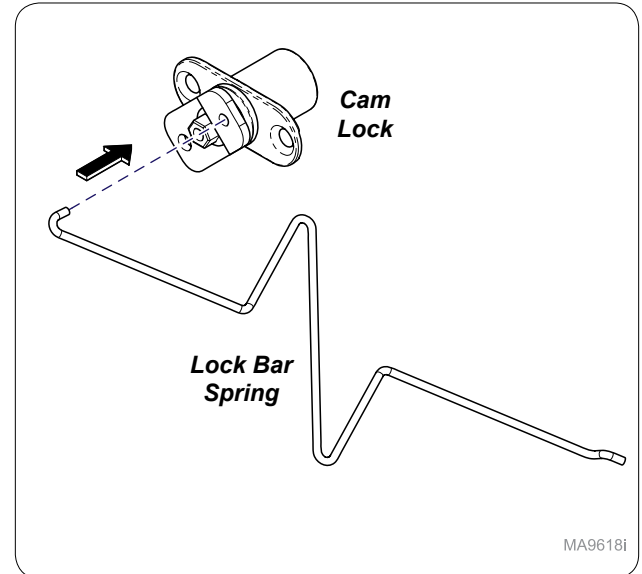
**Step 4: Base Cabinet**  
Install lock body bracket into cabinet with pop rivets.

MA9654i



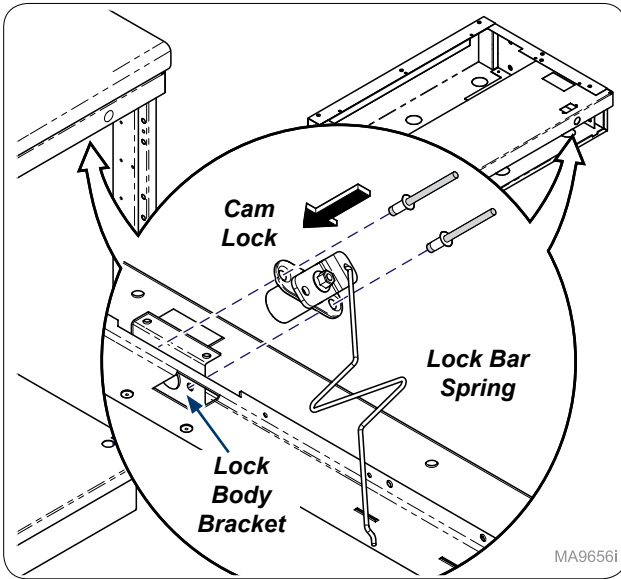
**Step 4: Desk Unit**  
Install lock body bracket into desk unit with pop rivets.

MA9655i

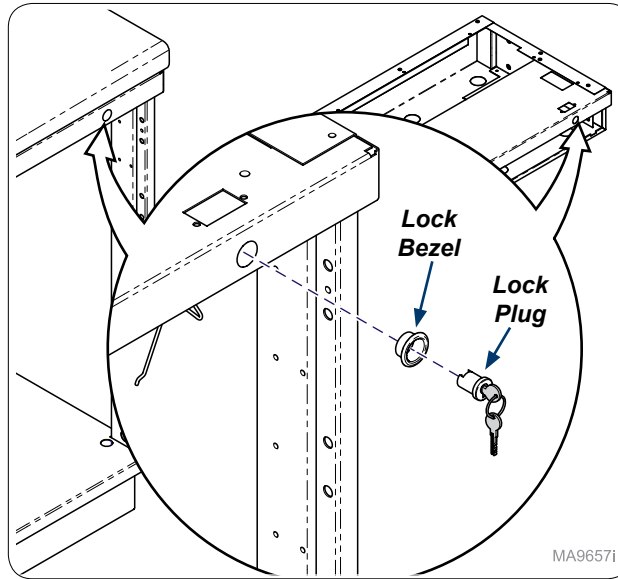


**Step 5:**  
Assemble lock bar spring onto cam lock.

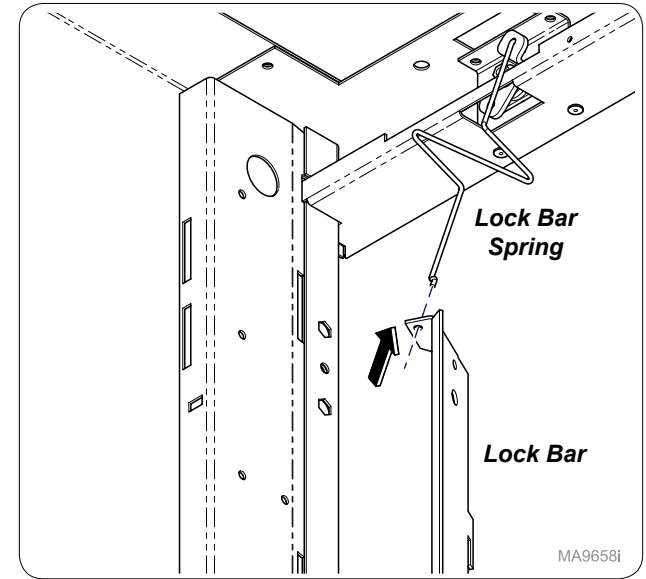
MA9618i



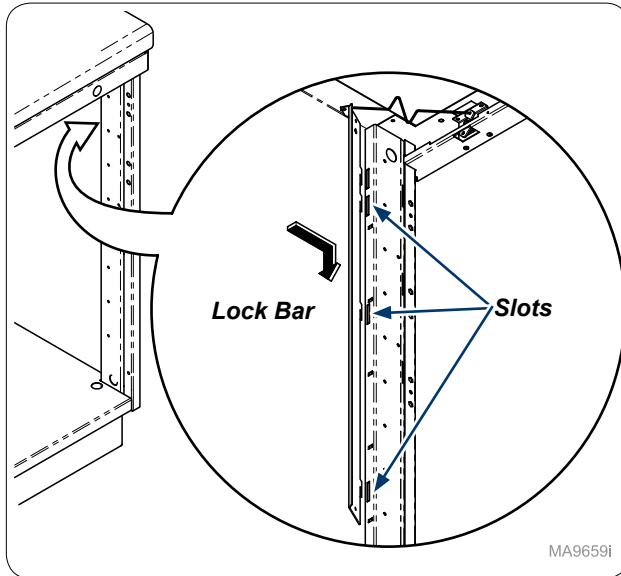
**Step 6:**  
Install cam lock inside cabinet with lock bar spring attached to lock body bracket.



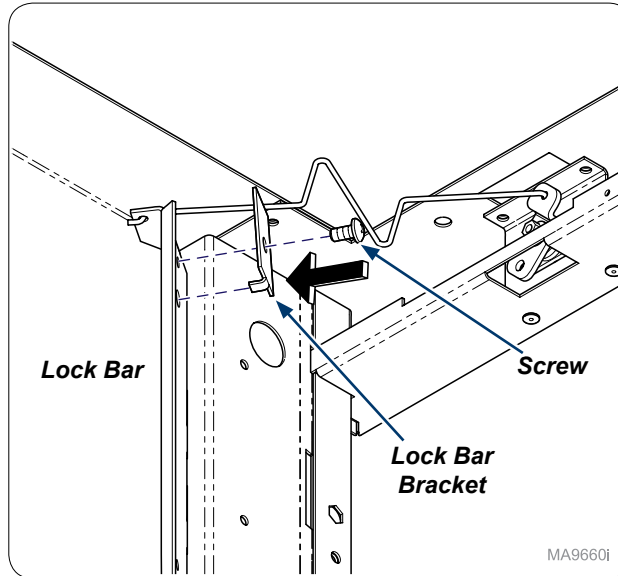
**Step 7:**  
On outside of cabinet install lock bezel and lock plug.  
**Note:** Cam should be in lock position as shown in next step.



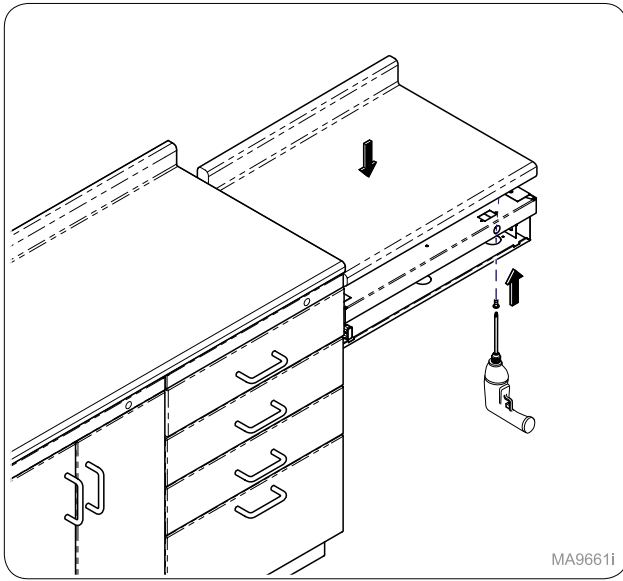
**Step 8: (Base shown)**  
Install lock bar onto lock bar spring.  
**Note:** Desk Unit is same assembly to install shorter lock bar.



**Step 9: (Base shown)**  
Inside cabinet install lock bar into slots as shown.  
**Note:** Lock bars will vary but assembly process is the same.



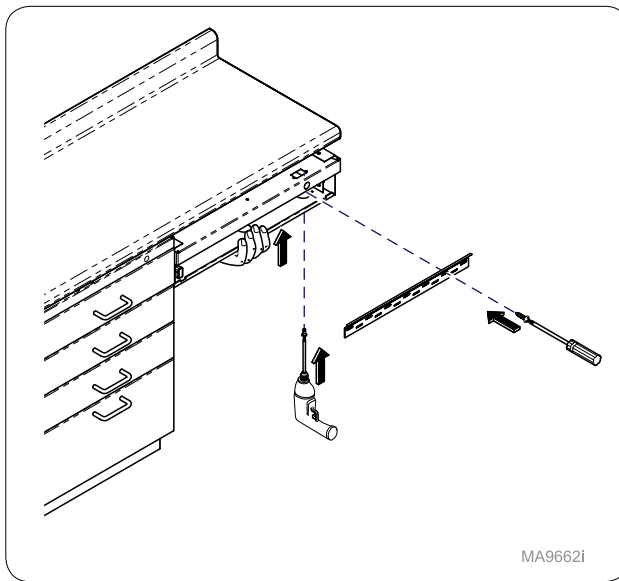
**Step 10:**  
Secure lock bar bracket onto lock bar with screw provided.



MA9661i

**Step 11: Desk Units (only)**

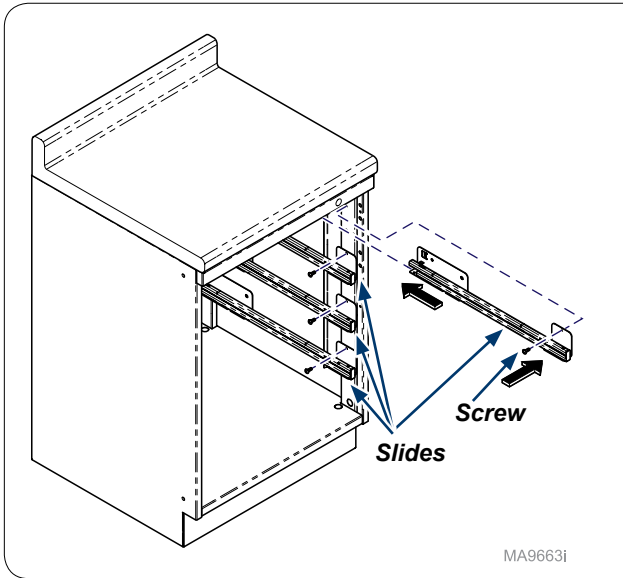
Install countertop to desk unit with screws.  
 Note: **Only applies to drop down desk as shown.**



MA9662i

**Step 12: Desk Units (only)**

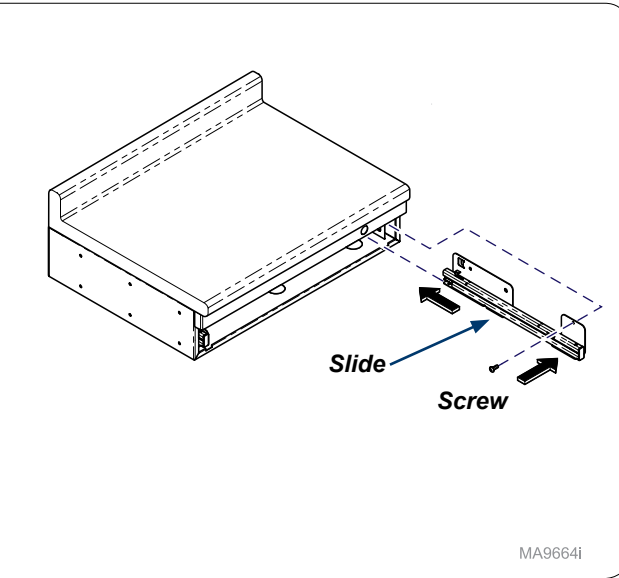
Install desk unit to countertop with screws and secure to wall with hanging bracket.  
 Note: **Only applies to the desk as shown.**



MA9663i

**Step 13:**

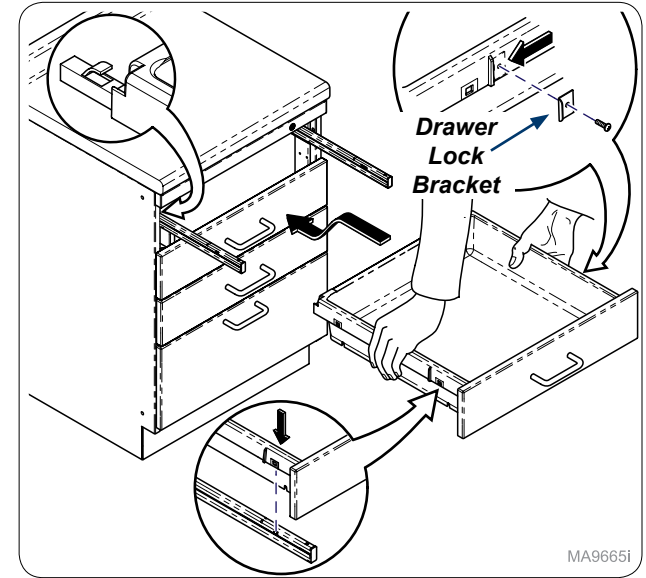
Re-install slides (4) with screws (4).



MA9664i

**Step 13:**

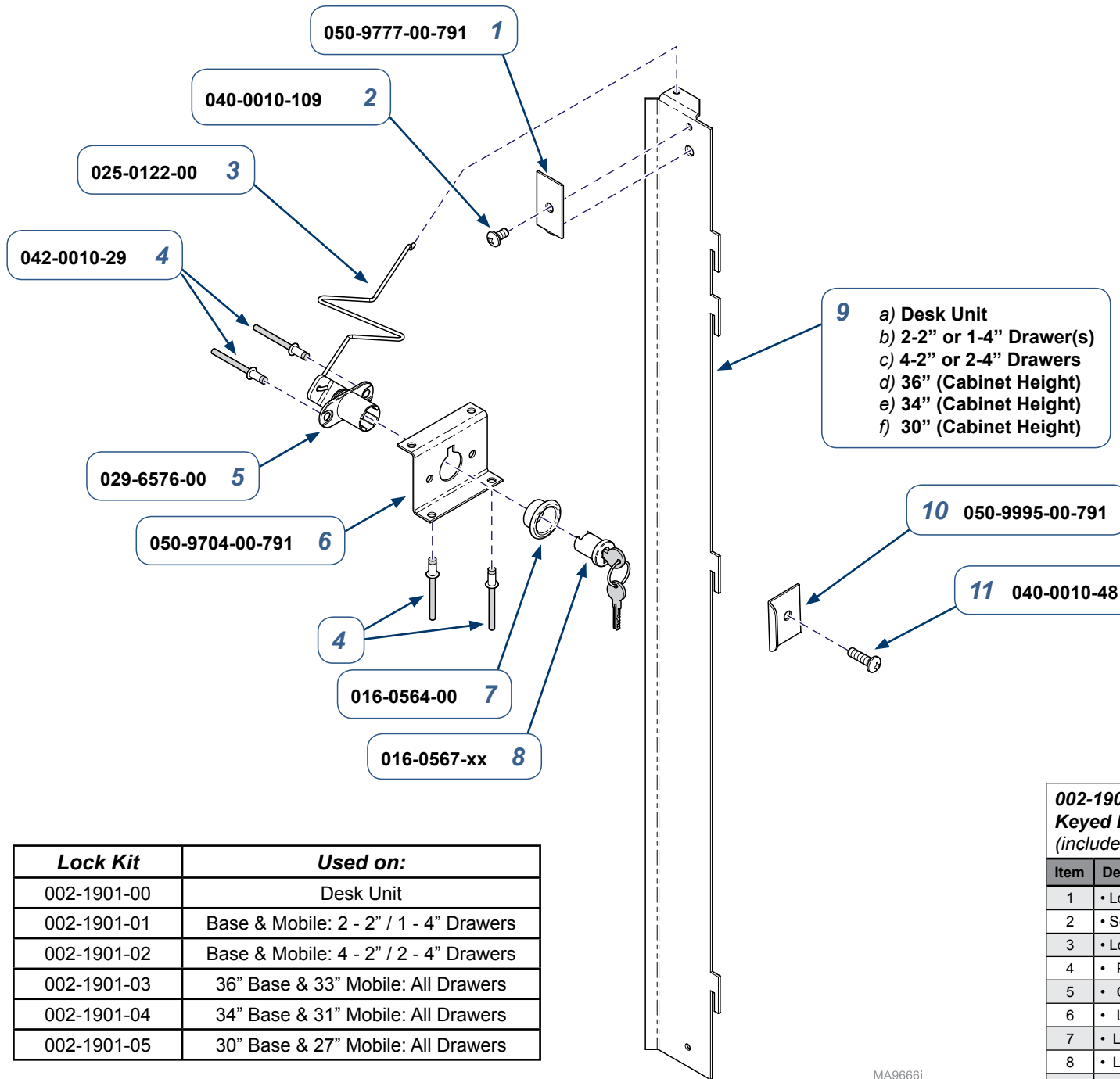
Re-install slide (1) with screw (1).



MA9665i

**Step 14:**

Install drawer lock bracket(s) onto drawer with provided screw(s). Re-install drawers and test lock. **Note: Numbers of bracket(s) and screw(s) will vary with number of drawers.**



Lock Plug	Key Number
016-0567-00	100T
016-0567-01	101T
016-0567-02	102T
016-0567-03	103T
016-0567-04	104T
016-0567-05	105T
016-0567-08	106T
016-0567-09	107T
016-0567-10	108T
016-0567-11	109T
016-0567-12	110T
016-0567-13	111T
016-0567-14	112T
016-0567-15	113T

Lock Kit	Used on:
002-1901-00	Desk Unit
002-1901-01	Base & Mobile: 2 - 2" / 1 - 4" Drawers
002-1901-02	Base & Mobile: 4 - 2" / 2 - 4" Drawers
002-1901-03	36" Base & 33" Mobile: All Drawers
002-1901-04	34" Base & 31" Mobile: All Drawers
002-1901-05	30" Base & 27" Mobile: All Drawers

**002-1901-xx Base Cabinet Drawer Single Keyed Lock Kit**  
(includes items 1 thru 11)

Item	Description	Qty.
1	• Lock Bar Bracket	1
2	• Screw (#10 -24 x 3/8")	1
3	• Lock Bar Spring	1
4	• Pop Rivets (0.156" x 0.379")	1
5	• Cam Lock	4
6	• Lock Body Bracket	1
7	• Lock Bezel	1
8	• Lock Plug (See Chart)	1
9	• RH Lock Bar Contact Technical Service for Part Numbers	1
10	• Drawer Lock Bracket - (1 per Drawer)	AR
11	• Screw (#10 x 5/8") - (1 per Lock Bracket)	AR

**Serial Numbers / Dates:** all