



# Base Cabinet Drawer Keyed Double Lock Installation [002-1902-xx]

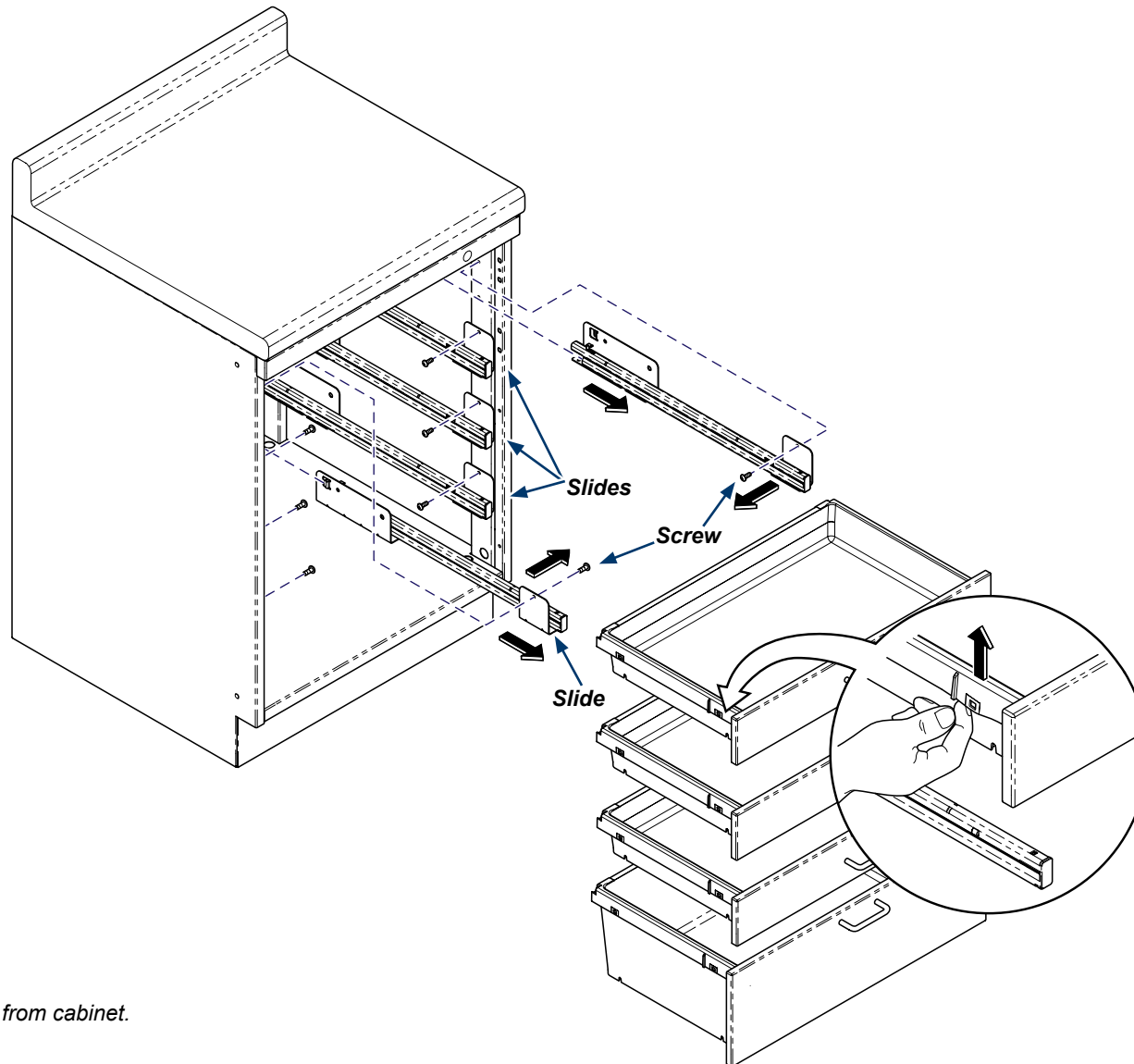
**Contents:**  
Installation ..... 1-4  
Exploded View ..... 5

**Special Tools:**  
none

Language of origin: English

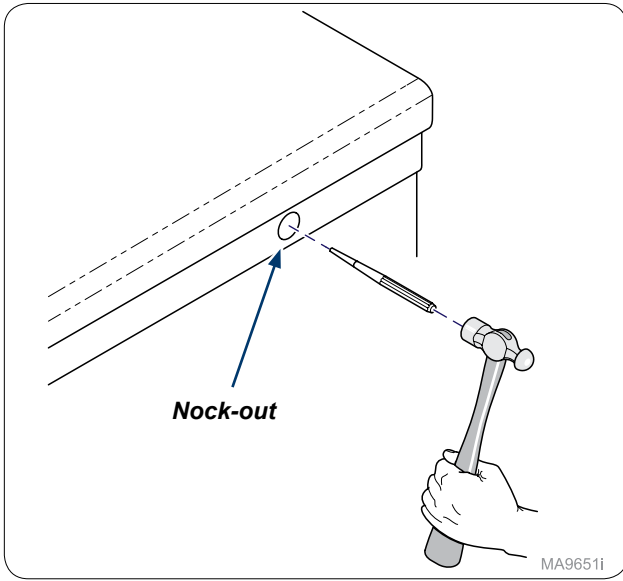
**Note**

This install can be used for any Base Cabinet Double Drawer Keyed Lock installation. The assembly process will be the same. The Lock Bar will be a different size depending on the number of drawers.



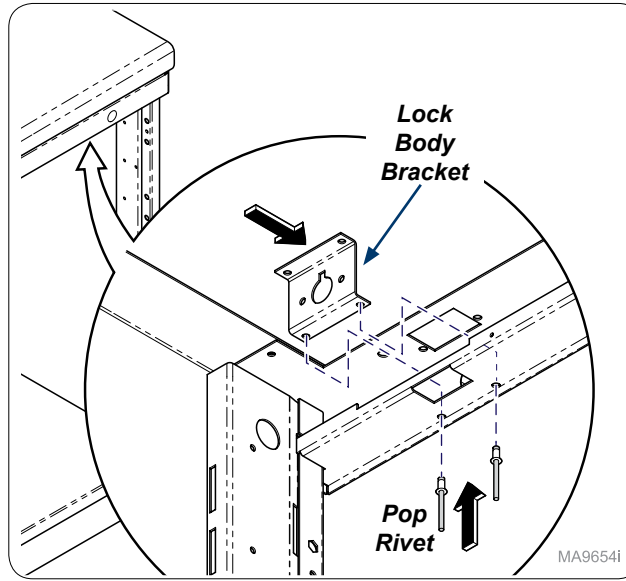
**Step 1:**  
Remove drawers and slides as needed from cabinet.

MA9752i



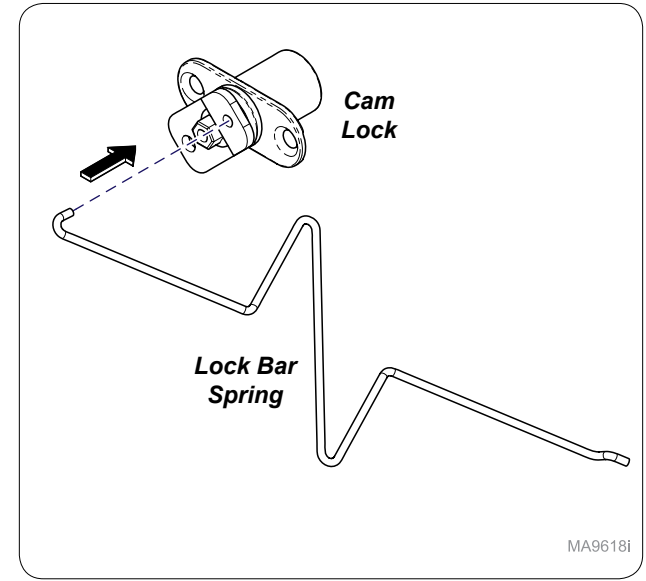
**Step 2:**  
Remove nock-out with a punch.

MA9651i



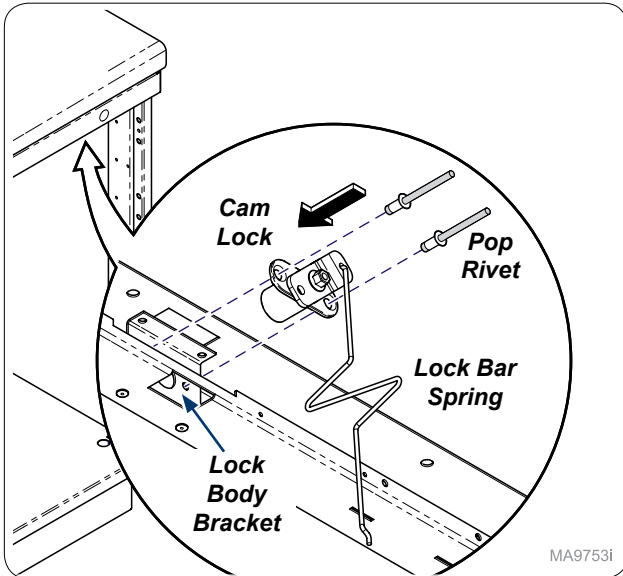
**Step 3: Base Cabinet**  
Install lock body bracket into cabinet with pop rivets.

MA9654i



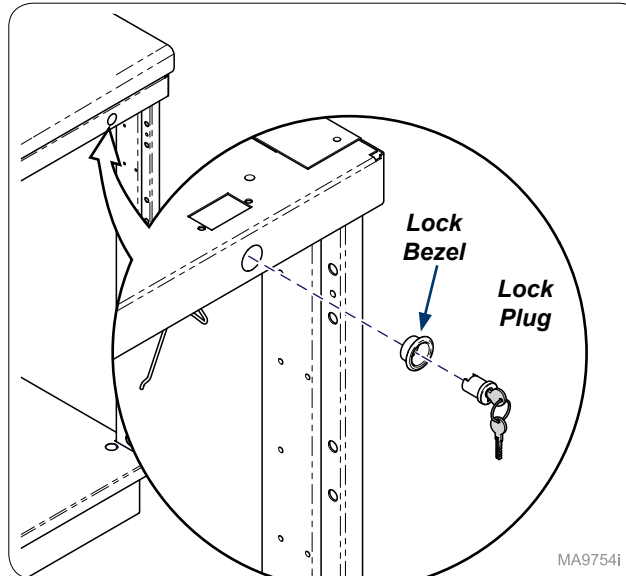
**Step 4:**  
Assemble lock bar spring onto cam lock.

MA9618i



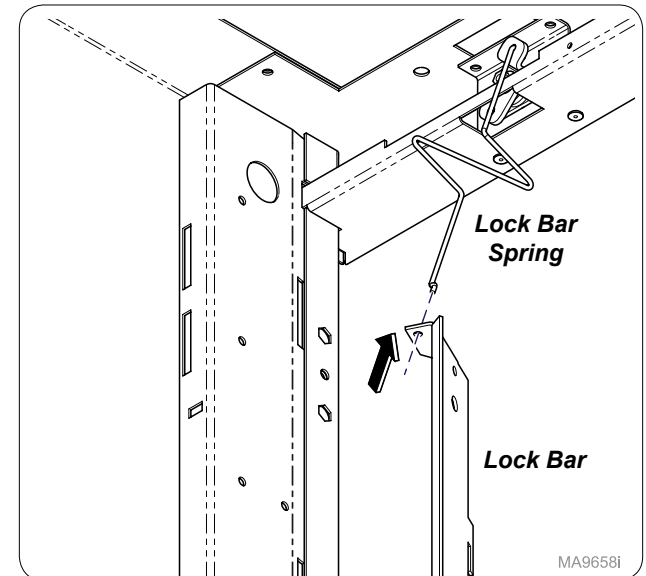
**Step 5:**  
Install cam lock inside cabinet with lock bar spring attached to lock body bracket.

MA9753i



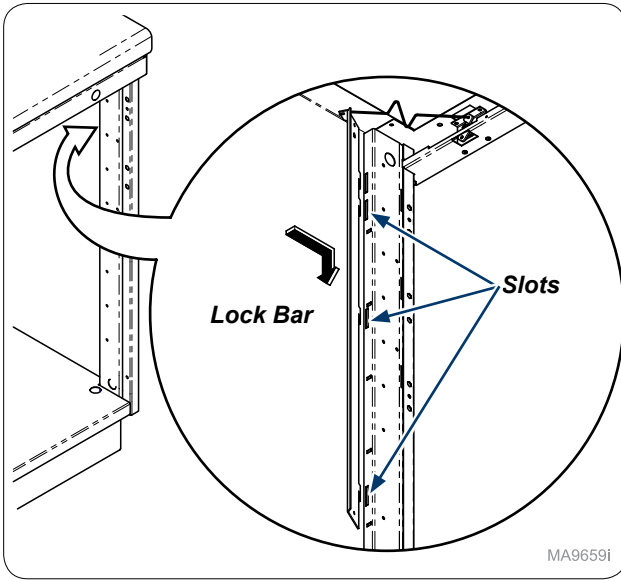
**Step 6:**  
On outside of cabinet install lock bezel and lock plug.

MA9754i



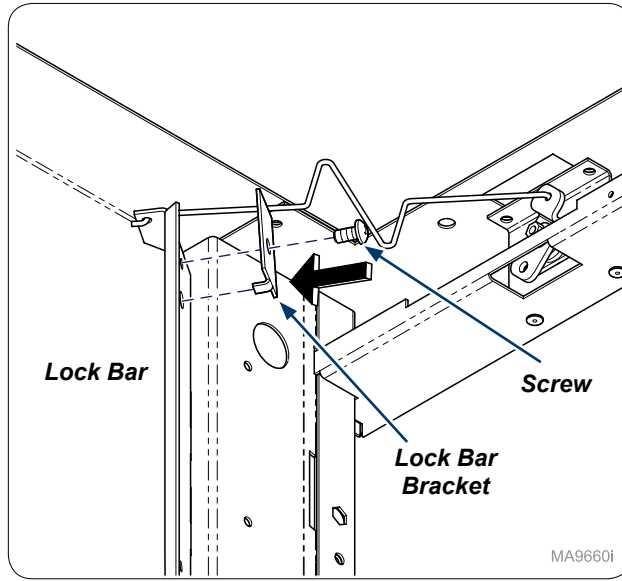
**Step 7:**  
Install lock bar onto lock bar spring.

MA9658i



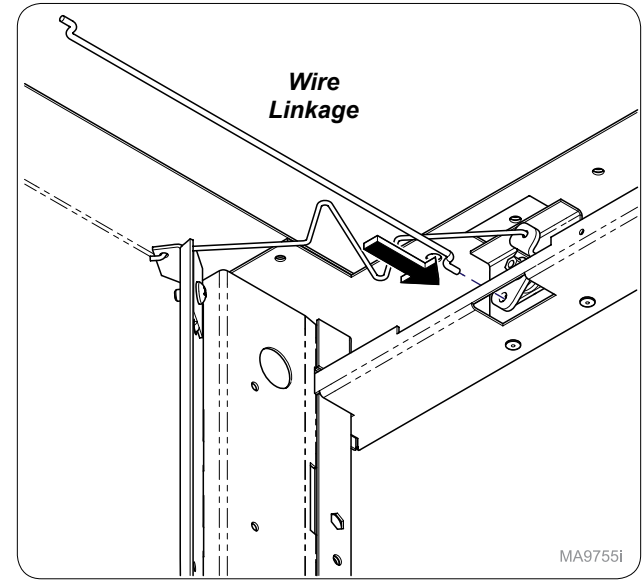
MA9659i

**Step 8:**  
 Inside cabinet install lock bar into slots as shown.  
*Note: Lock bars will vary but assembly process is the same.*



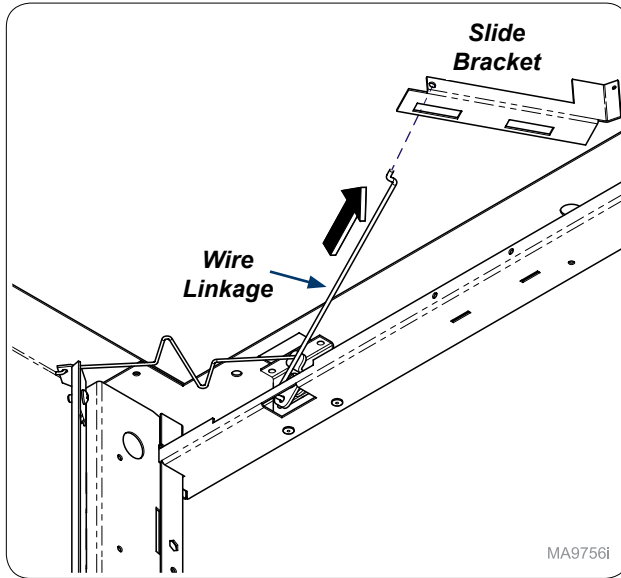
MA9660i

**Step 9:**  
 Secure lock bar bracket onto lock bar with screw provided.



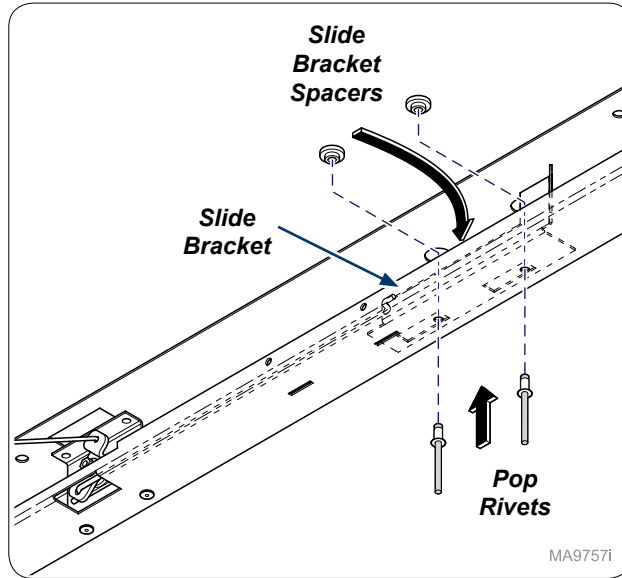
MA9755i

**Step 10:**  
 Install wire linkage onto cam lock.



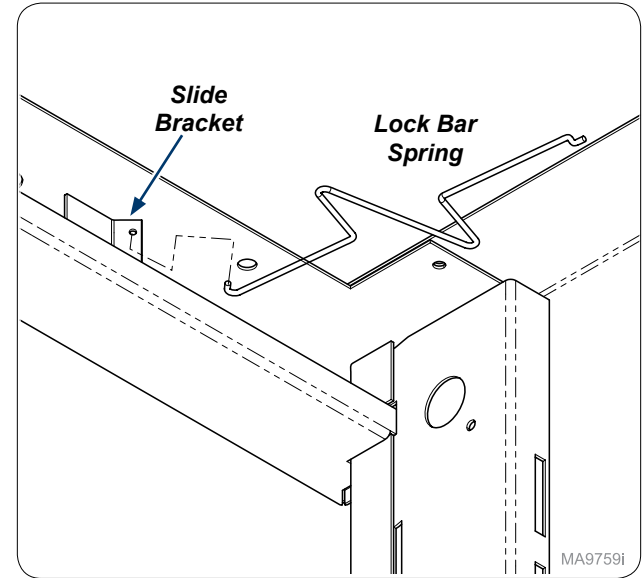
MA9756i

**Step 11:**  
 Install slide bracket to wire linkage.



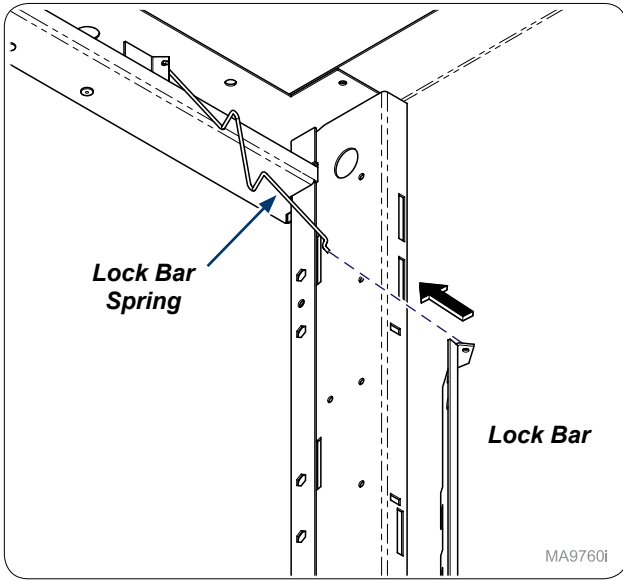
MA9757i

**Step 12:**  
 Install slide bracket and slide bracket spacers with pop rivets in side cabinet.

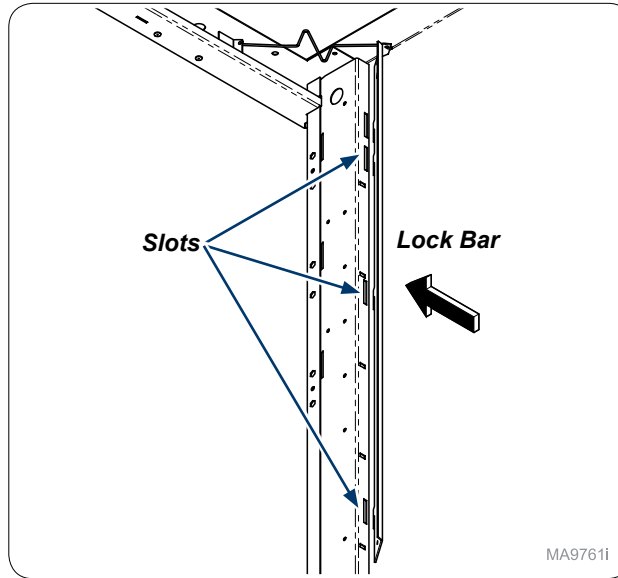


MA9759i

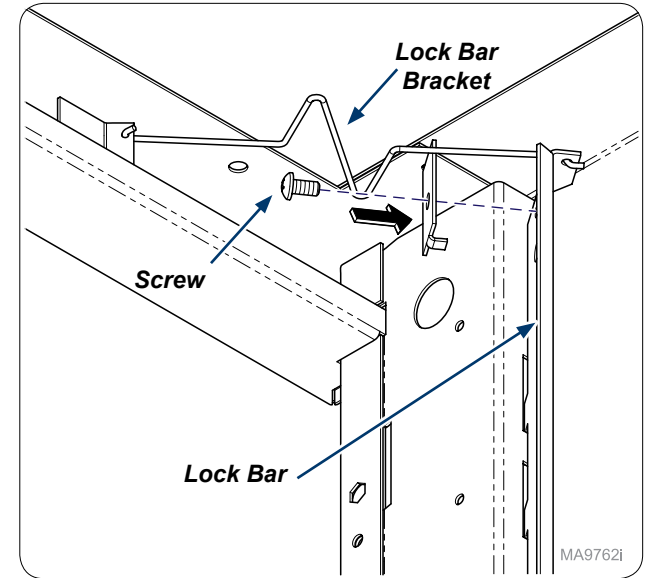
**Step 13:**  
 Install lock bar spring onto slide bracket.



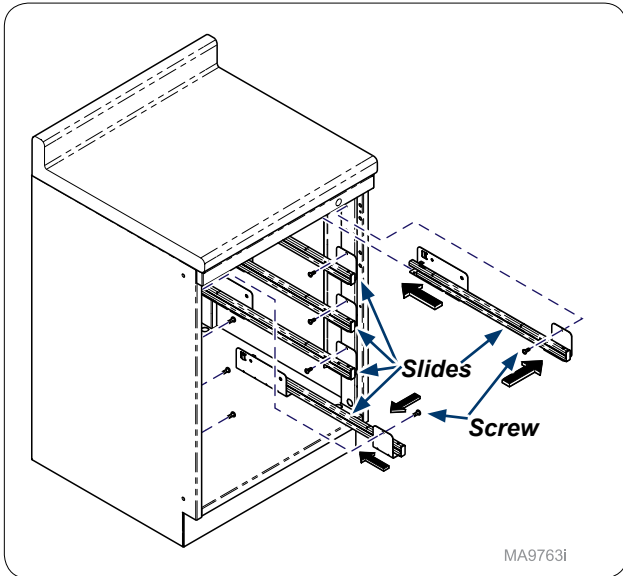
**Step 14:**  
Install lock bar onto lock bar spring.



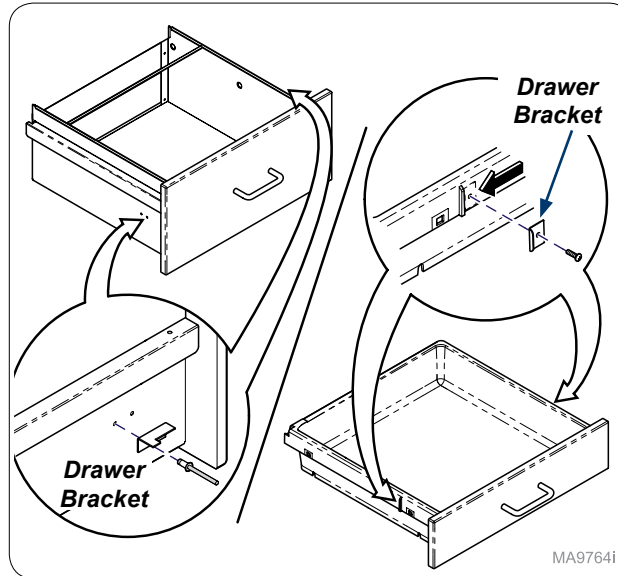
**Step 15:**  
Inside cabinet install lock bar into slots as shown.  
**Note:** Lock bars will vary but it is same assembly.



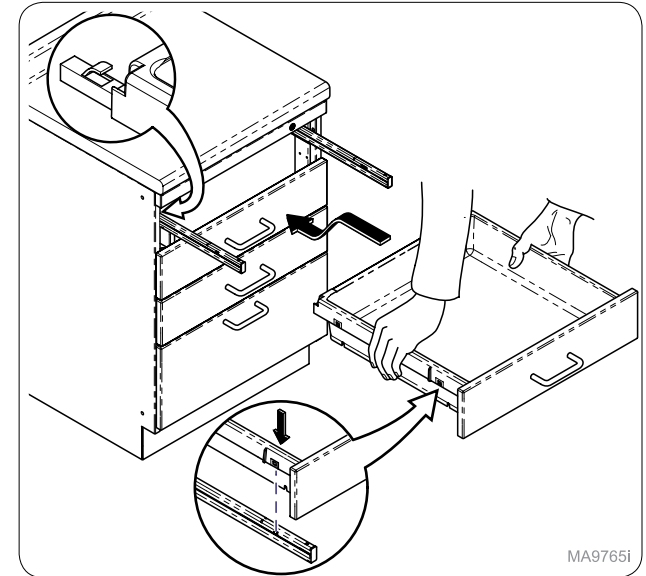
**Step 16:**  
Secure lock bar bracket onto lock bar with screw provided.



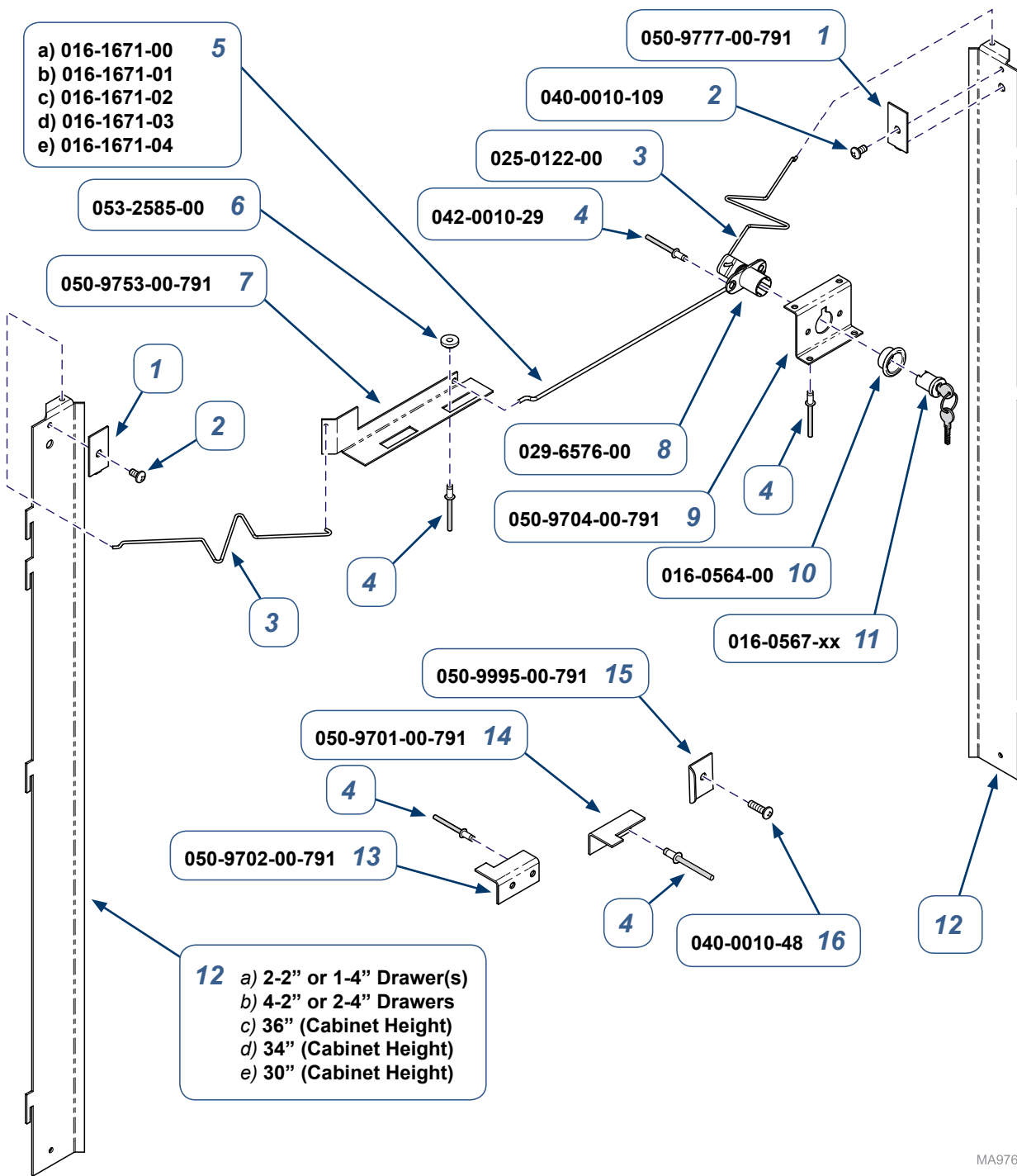
**Step 17:**  
Re-install slides as needed.



**Step 18:**  
Install drawer brackets as needed on drawer or filing drawers.  
**Note:** Numbers of bracket(s) and screw(s) will vary with number of drawers.



**Step 19:**  
Re-install drawers and test lock.



Lock Plug	Key Number	Lock Plug	Key Number
016-0567-00	100T	016-0567-09	107T
016-0567-01	101T	016-0567-10	108T
016-0567-02	102T	016-0567-11	109T
016-0567-03	103T	016-0567-12	110T
016-0567-04	104T	016-0567-13	111T
016-0567-05	105T	016-0567-14	112T
016-0567-08	106T	016-0567-15	113T

**002-1902-xx Base Cabinet Drawer Double Keyed Lock Kit (see chart on next page) (includes items 1 thru 17)**

Item	Description	Qty.
1	• Lock Bar Bracket	1
2	• Screw (#10 -24 x 3/8")	2
3	• Lock Bar Spring	2
4	• Pop Rivets (0.156" x 0.379")	8
5	• Wire Linkage a) 4" (18" Cabinet Width) b) 7" (21" Cabinet Width) c) 10" (24" Cabinet Width) d) 15.5" (30" Cabinet Width) e) 21.5" (36" Cabinet Width)	1
6	• Slide Bracket Spacer	2
7	• Slide Bracket	1
8	• Cam Lock	1
9	• Lock Body Bracket	4
10	• Lock Bezel	1
11	• Lock Plug (See Chart)	1
12	• Lock Bar Contact Technical Service for Part Numbers	1
13	• RH File Lock Bracket - (1 per Drawer)	AR
14	• LH File Lock Bracket - (1 per Drawer)	AR
15	• Drawer Lock Bracket - (1 per Drawer)	AR
16	• Screw (#10 x 5/8") - (1 per Lock Bracket)	AR

**Serial Numbers / Dates:** all

<b>Lock Kit</b>	<b>Cabinet Width</b>	<b>Cabinet Height</b>	<b>Used on:</b>	<b>Lock Kit</b>	<b>Cabinet Width</b>	<b>Cabinet Height</b>	<b>Used on:</b>
002-1902-00	30"	N/A	Base & Mobile: 2 - 2" / 1 - 4" Drawers w/ Doors	002-1902-20	18"	30"	30" Base & 27" Mobile: All / 1 - File Drawer
002-1902-01	36"	N/A	Base & Mobile: 2 - 2" / 1 - 4" Drawers w/ Doors	002-1902-21	21"	30"	30" Base & 27" Mobile: All / 1 - File Drawer
002-1902-02	30"	N/A	Base & Mobile: 4 - 2" / 2 - 4" Drawers w/ Doors	002-1902-22	24"	30"	30" Base & 27" Mobile: All / 1 - File Drawer
002-1902-03	36"	N/A	Base & Mobile: 4 - 2" / 2 - 4" Drawers w/ Doors	002-1902-23	30"	30"	30" Base & 27" Mobile: All / 1 - File Drawer
002-1902-04	30"	36"	36" Base & 33" Mobile: All Drawers	002-1902-24	36"	30"	30" Base & 27" Mobile: All / 1 - File Drawer
002-1902-05	36"	36"	36" Base & 33" Mobile: All Drawers	002-1902-25	18"	36"	36" Base & 33" Mobile: All / 2 - File Drawers
002-1902-06	30"	34"	34" Base & 31" Mobile: All Drawers	002-1902-26	21"	36"	36" Base & 33" Mobile: All / 2 - File Drawers
002-1902-07	36"	34"	34" Base & 31" Mobile: All Drawers	002-1902-27	24"	36"	36" Base & 33" Mobile: All / 2 - File Drawers
002-1902-08	30"	30"	30" Base & 27" Mobile: All Drawers	002-1902-28	30"	36"	36" Base & 33" Mobile: All / 2 - File Drawers
002-1902-09	36"	30"	30" Base & 27" Mobile: All Drawers	002-1902-29	36"	36"	36" Base & 33" Mobile: All / 2 - File Drawers
002-1902-10	18"	36"	36" Base & 33" Mobile: All / 1 - File Drawer	002-1902-30	18"	34"	34" Base & 31" Mobile: All / 2 - File Drawers
002-1902-11	21"	36"	36" Base & 33" Mobile: All / 1 - File Drawer	002-1902-31	21"	34"	34" Base & 31" Mobile: All / 2 - File Drawers
002-1902-12	24"	36"	36" Base & 33" Mobile: All / 1 - File Drawer	002-1902-32	24"	34"	34" Base & 31" Mobile: All / 2 - File Drawers
002-1902-13	30"	36"	36" Base & 33" Mobile: All / 1 - File Drawer	002-1902-33	30"	34"	34" Base & 31" Mobile: All / 2 - File Drawers
002-1902-14	36"	36"	36" Base & 33" Mobile: All / 1 - File Drawer	002-1902-34	36"	34"	34" Base & 31" Mobile: All / 2 - File Drawers
002-1902-15	18"	34"	34" Base & 31" Mobile: All / 1 - File Drawer	002-1902-35	18"	30"	30" Base & 27" Mobile: All / 2 - File Drawers
002-1902-16	21"	34"	34" Base & 31" Mobile: All / 1 - File Drawer	002-1902-36	21"	30"	30" Base & 27" Mobile: All / 2 - File Drawers
002-1902-17	24"	34"	34" Base & 31" Mobile: All / 1 - File Drawer	002-1902-37	24"	30"	30" Base & 27" Mobile: All / 2 - File Drawers
002-1902-18	30"	34"	34" Base & 31" Mobile: All / 1 - File Drawer	002-1902-38	30"	30"	30" Base & 27" Mobile: All / 2 - File Drawers
002-1902-19	36"	34"	34" Base & 31" Mobile: All / 1 - File Drawer	002-1902-39	36"	30"	30" Base & 27" Mobile: All / 2 - File Drawers

TP200 Rev. A



Because we care.  
003-2818-00