



Tall Cabinet Drawer Single Keyed Lock Installation [002-1903-xx]

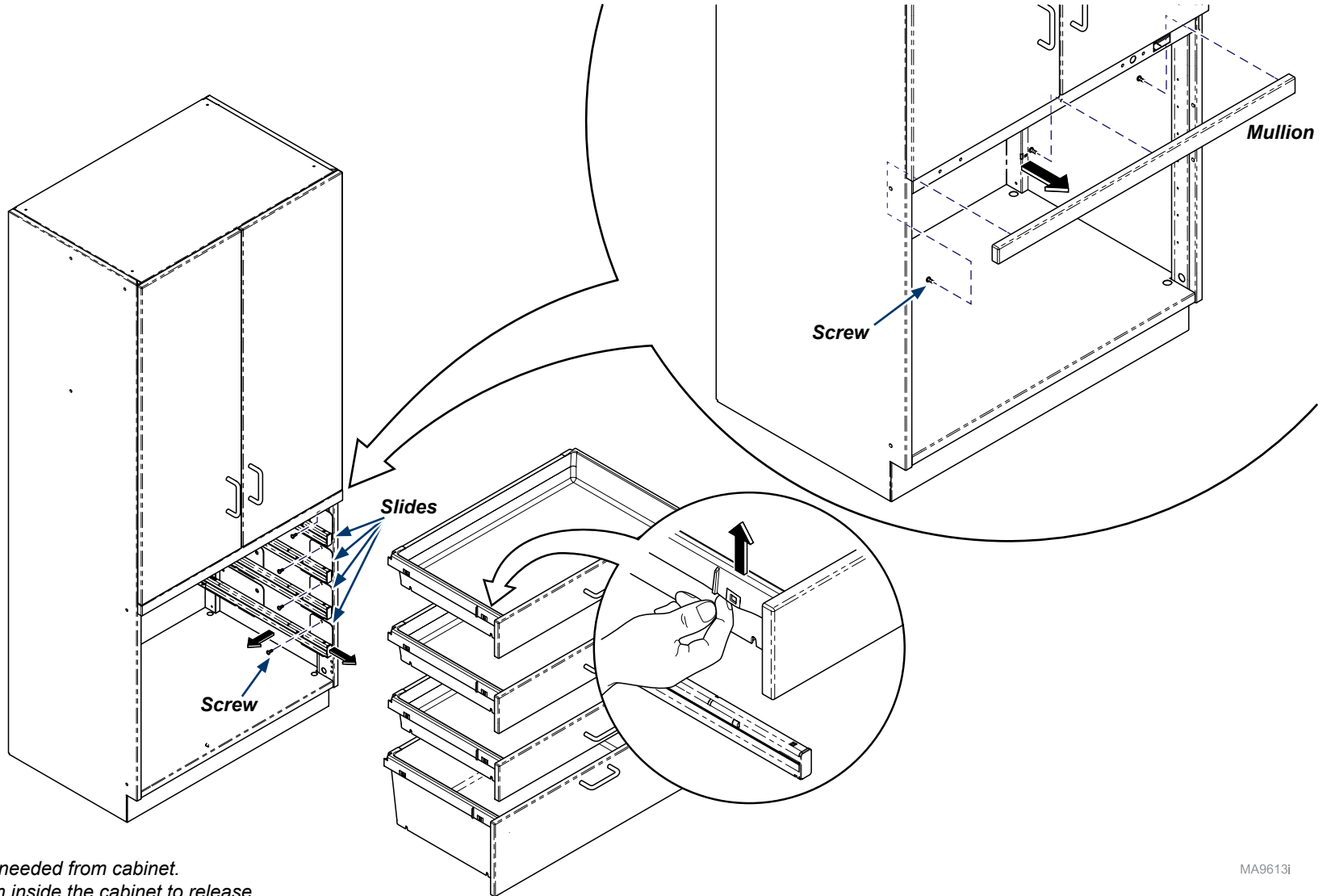
Contents:
Installation 1-3
Exploded View 4

Special Tools:
none

Language of origin: English

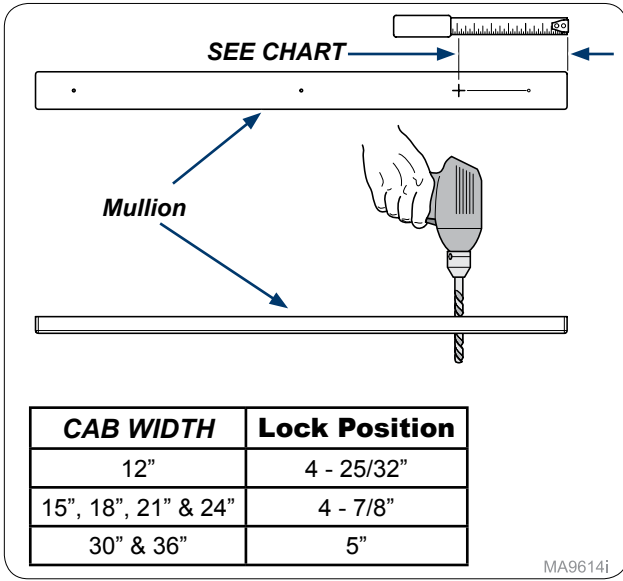
Note

This install can be used for any Tall Cabinet Single Drawer Keyed Lock installation. The assembly process will be the same. The Lock Bar will be a different size depending on the number of drawers.



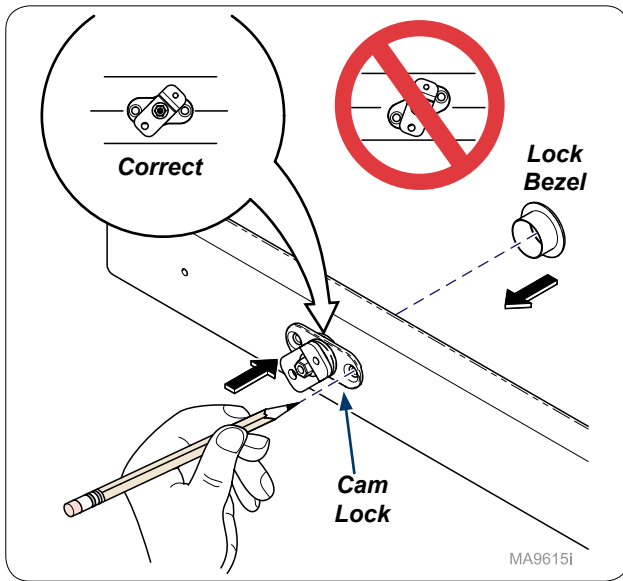
Step 1:
Remove drawers and slides as needed from cabinet.
Remove screws (3) from Mullion inside the cabinet to release.

MA9613i



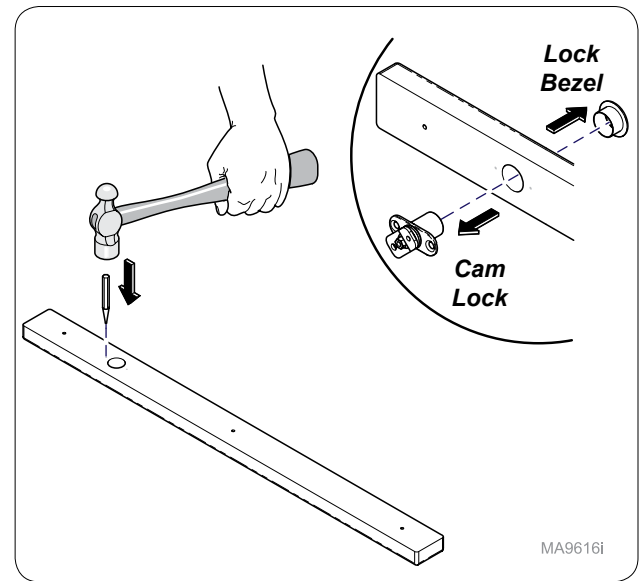
MA9614i

Step 2:
Measure from edge of mullion mark and drill 3/4" hole through mullion.



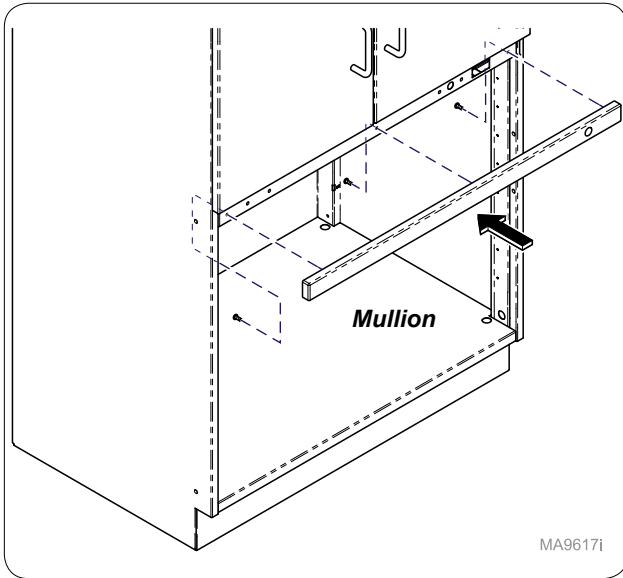
MA9615i

Step 3:
Insert cam lock and lock bezel loosely into hole and mark mounting holes as shown. **Note: Make sure Lock housing is parallel with mullion.**



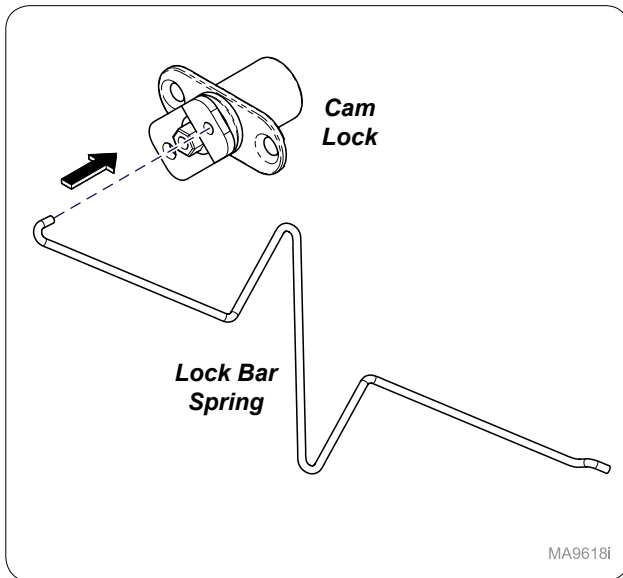
MA9616i

Step 4:
Remove cam lock and lock bezel and use hole punch and hammer to start mounting holes.



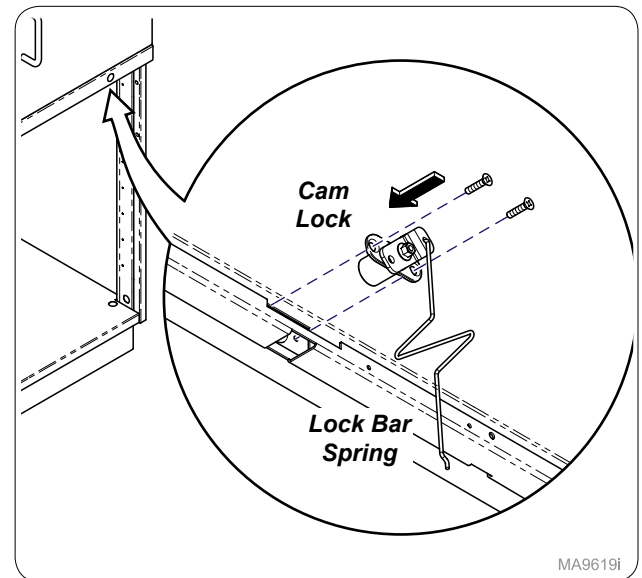
MA9617i

Step 5:
Install mullion onto cabinet with screws(3).



MA9618i

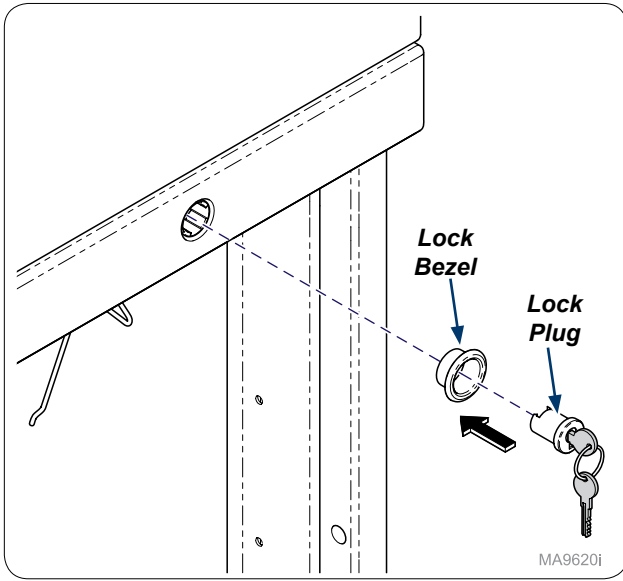
Step 6:
Assemble lock bar spring onto cam lock.



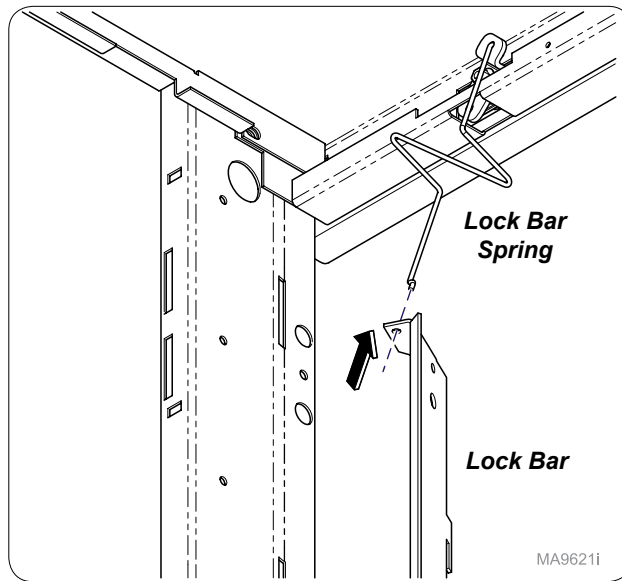
MA9619i

Step 7:
Install cam lock inside cabinet with lock bar spring attached.

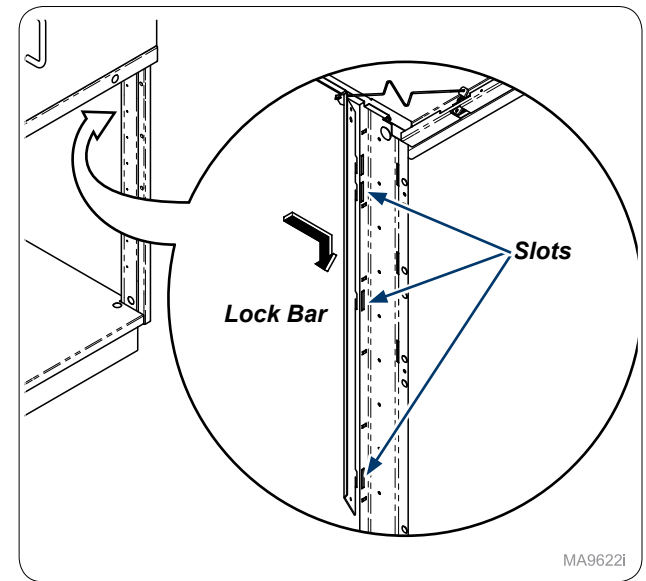
TP200 Rev. A



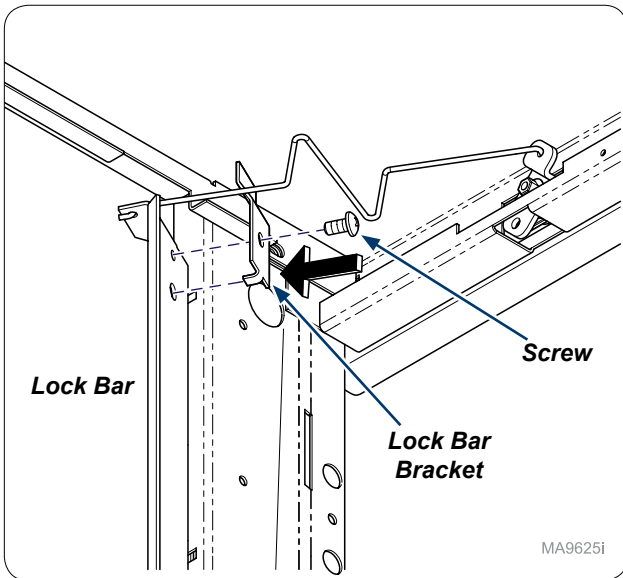
Step 8:
On outside of cabinet install lock bezel and lock plug.
Note: Cam should be in lock position as shown in next step.



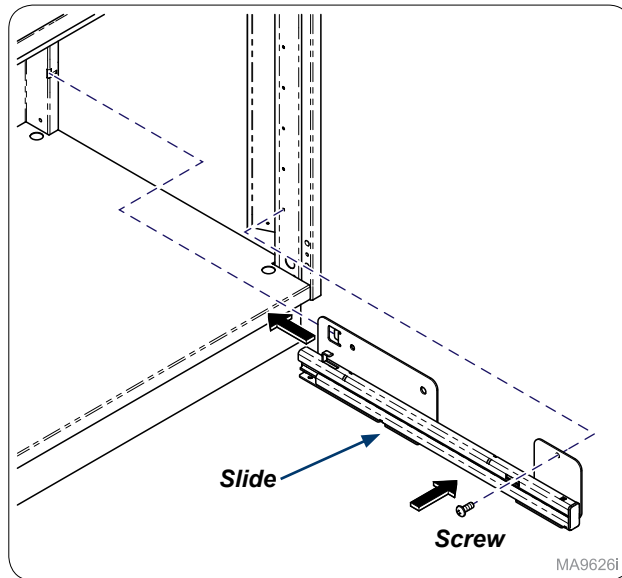
Step 9:
Install lock bar onto lock bar spring.



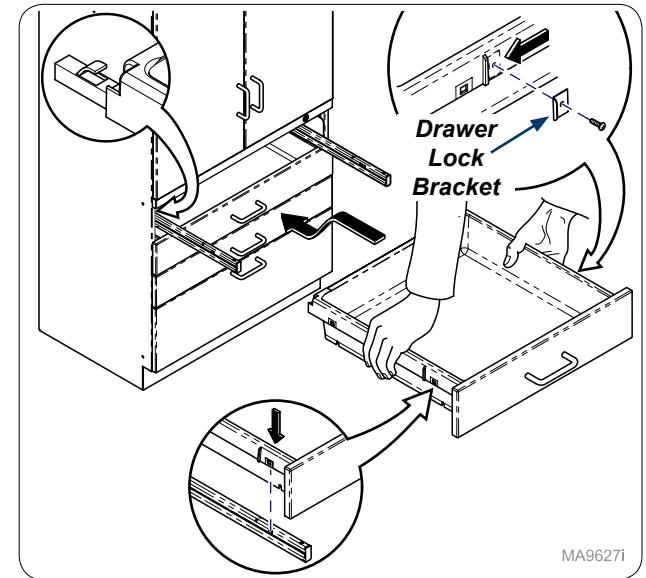
Step 10:
Inside cabinet install lock bar into slots as shown.
Note: Lock bars will vary but assembly process is the same.



Step 11:
Secure lock bar bracket onto lock bar with screw provided.

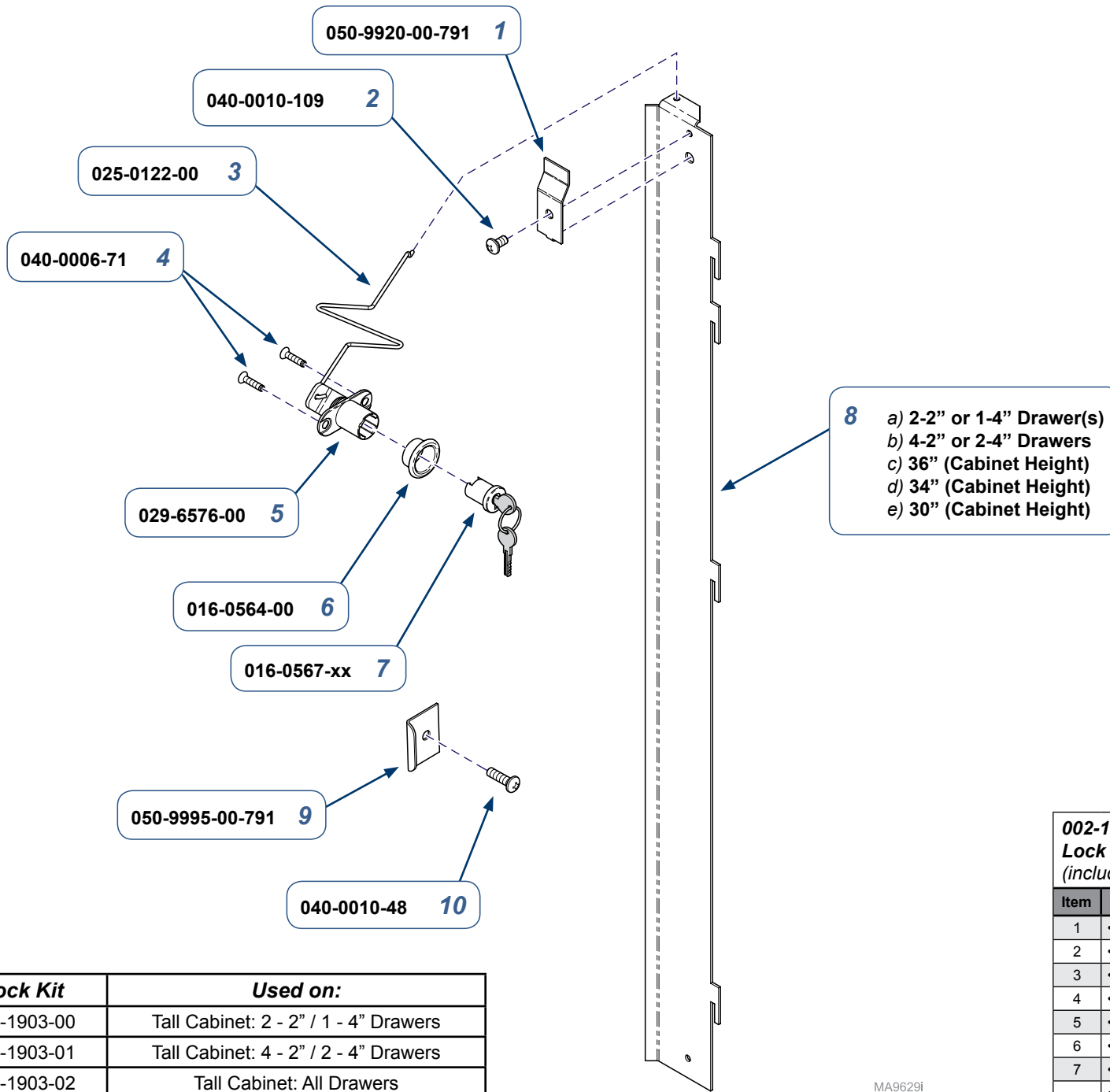


Step 12:
Re-install slides (4) with screws (4).



Step 13:
Install drawer lock bracket(s) onto drawer with provided screw(s). Re-install drawers and test lock. **Note:** Numbers of bracket(s) and screw(s) will vary with number of drawers.

TP200 Rev. A



Lock Plug	Key Number
016-0567-00	100T
016-0567-01	101T
016-0567-02	102T
016-0567-03	103T
016-0567-04	104T
016-0567-05	105T
016-0567-08	106T
016-0567-09	107T
016-0567-10	108T
016-0567-11	109T
016-0567-12	110T
016-0567-13	111T
016-0567-14	112T
016-0567-15	113T

Lock Kit	Used on:
002-1903-00	Tall Cabinet: 2 - 2" / 1 - 4" Drawers
002-1903-01	Tall Cabinet: 4 - 2" / 2 - 4" Drawers
002-1903-02	Tall Cabinet: All Drawers

002-1903-xx Tall Cabinet Drawer Single Keyed Lock Kit
(includes items 1 thru 10)

Item	Description	Qty.
1	• Lock Bar Bracket	1
2	• Screw (#10 -24 x 3/8")	1
3	• Lock Bar Spring	1
4	• Screw (#6 x 5/8")	2
5	• Cam Lock	1
6	• Lock Bezel	1
7	• Lock Plug (See Chart)	1
8	• RH Lock Bar Contact Technical Service for Part Numbers	1
9	• Drawer Lock Bracket - (1 per Drawer)	AR
10	• Screw (#10 x 5/8") - (1 per Lock Bracket)	AR

Serial Numbers / Dates: all

MA9629i