



Tall Cabinet Drawer Keyed Double Lock Installation [002-1904-xx]

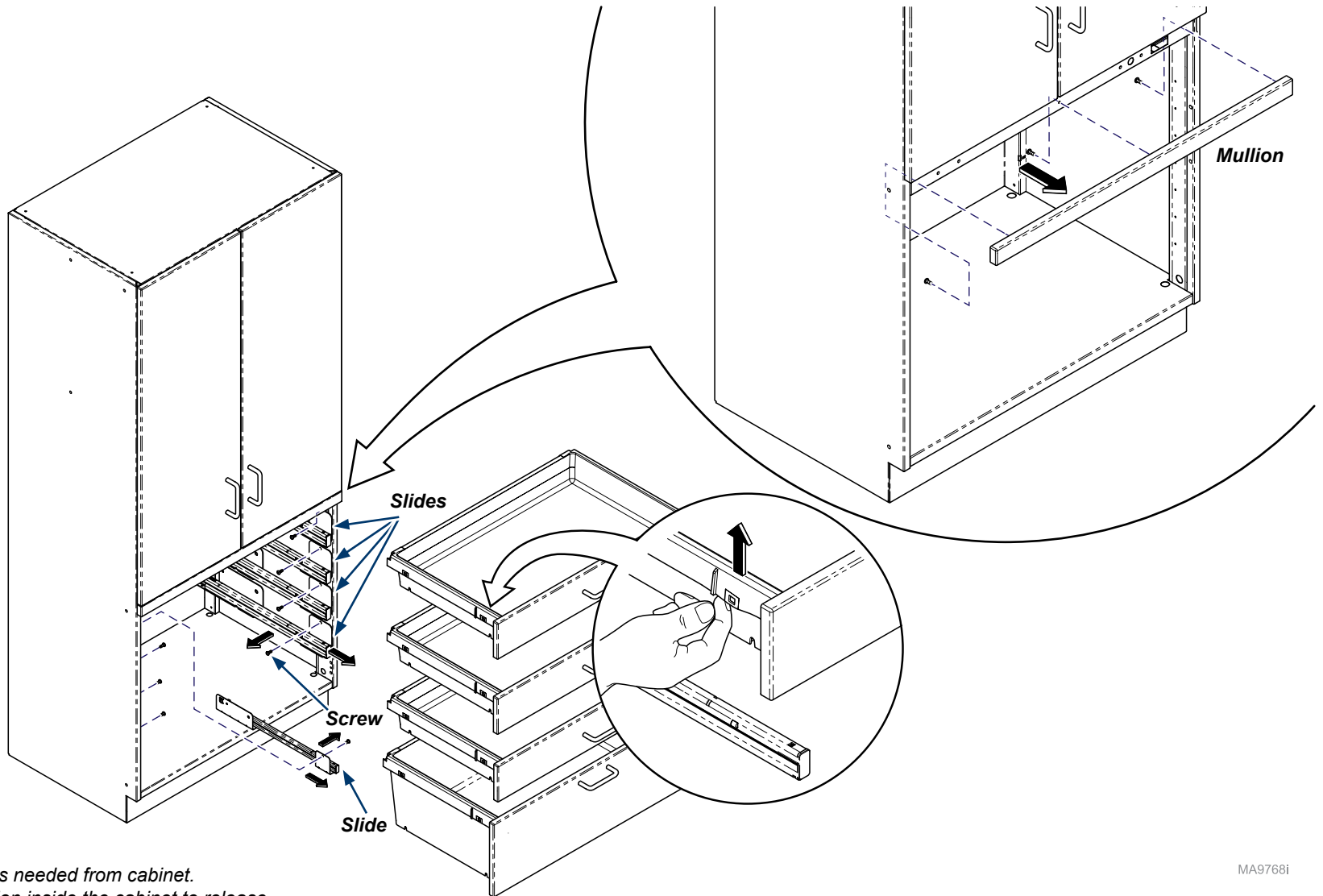
Contents:
Installation 1-5
Exploded View 6

Special Tools:
none

Language of origin: English

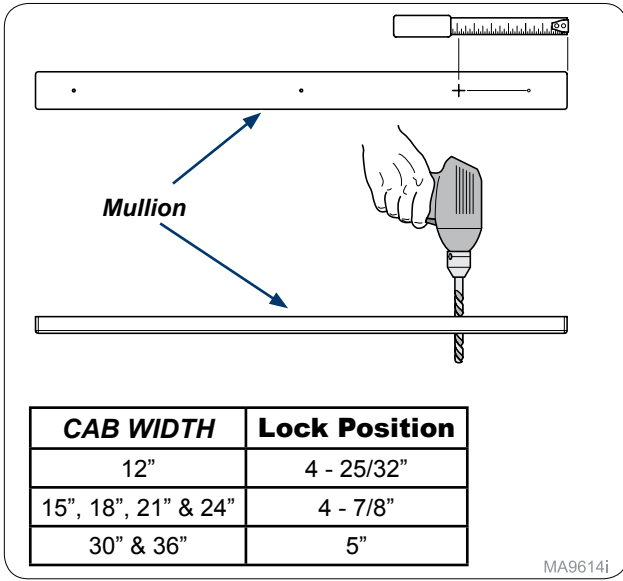
Note

This install can be used for any Tall Cabinet Double Drawer Keyed Lock installation. The assembly process will be the same. The Lock Bar will be a different size depending on the number of drawers.



Step 1:
Remove drawers and slides as needed from cabinet.
Remove screws (3) from Mullion inside the cabinet to release.

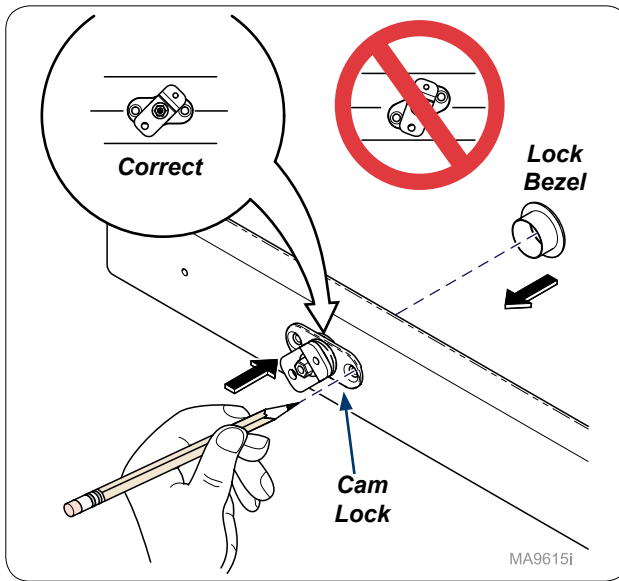
MA9768i



MA9614i

Step 2:

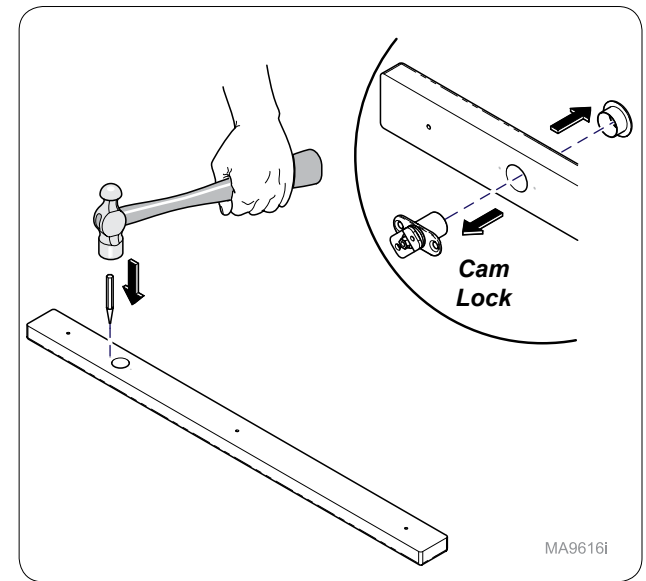
Measure from edge of mullion mark and drill 3/4" hole through mullion.



MA9615i

Step 3:

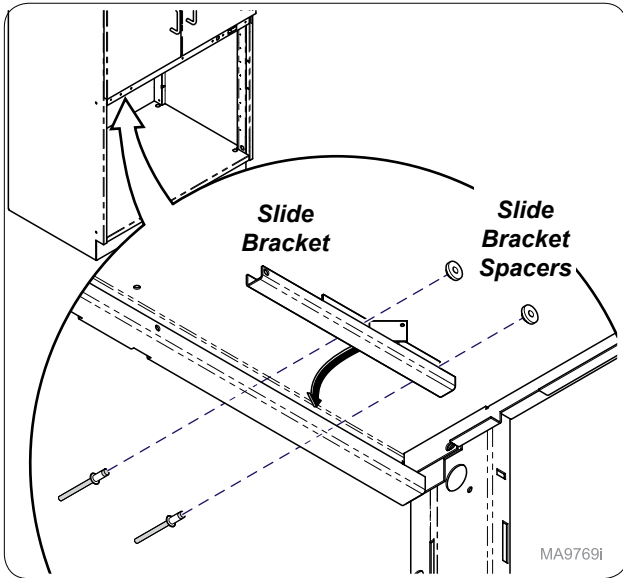
Insert cam lock and lock bezel loosely into hole and mark mounting holes as shown. **Note: Make sure Lock housing is parallel with mullion.**



MA9616i

Step 4:

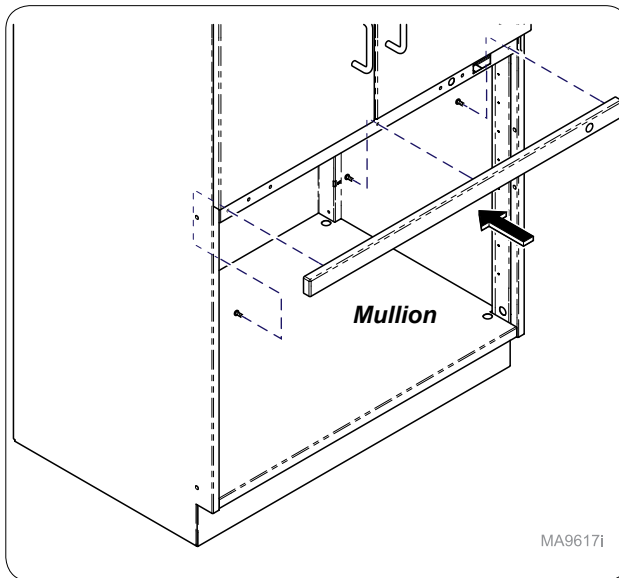
Remove cam lock and lock bezel and use hole punch and hammer to start mounting holes.



MA9769i

Step 5:

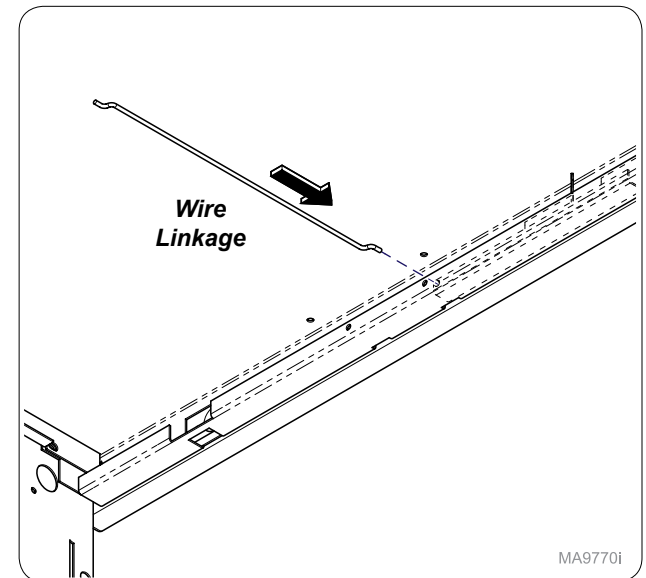
Install slide bracket and slide bracket spacers as shown.



MA9617i

Step 6:

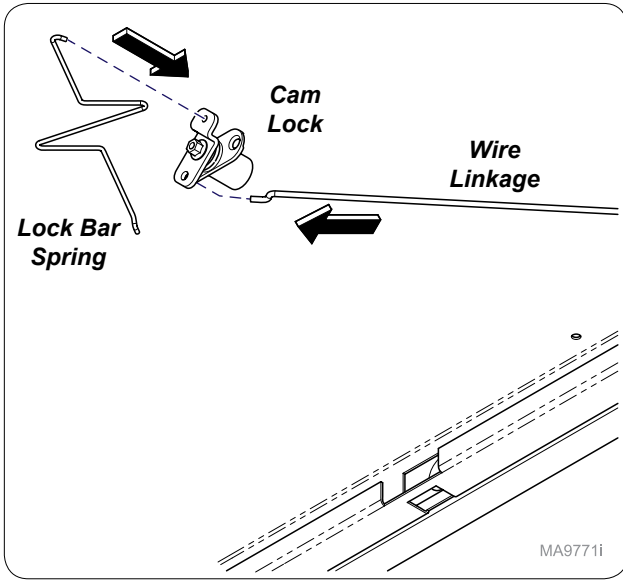
Install mullion onto cabinet with screws(3).



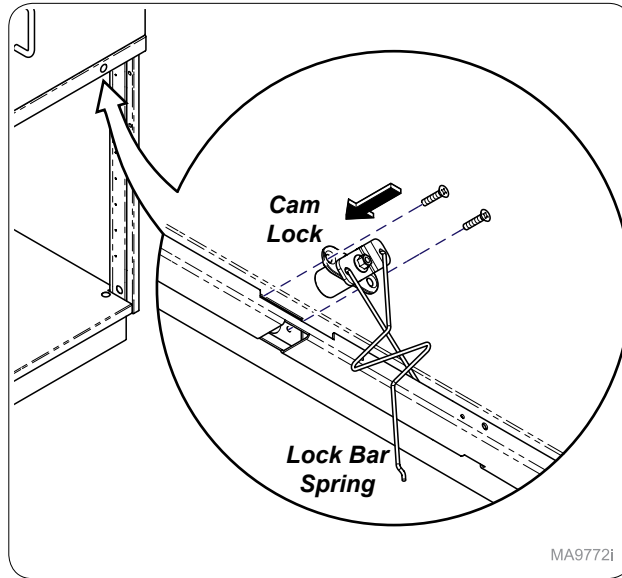
MA9770i

Step 7:

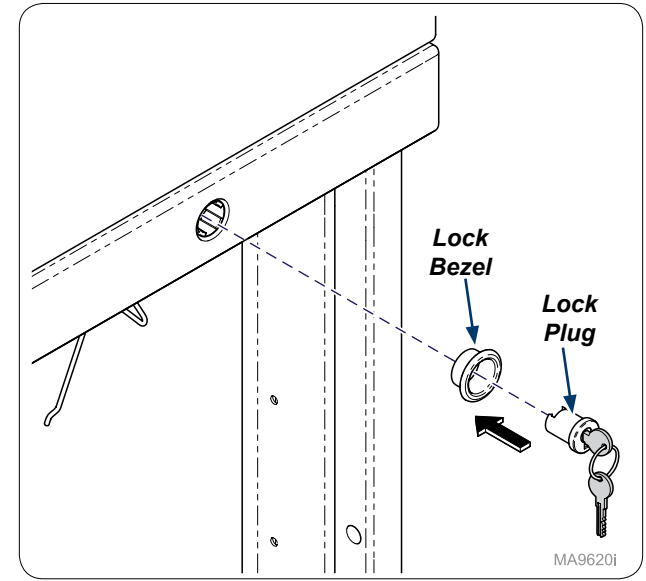
Install wire linkage into slide bracket.



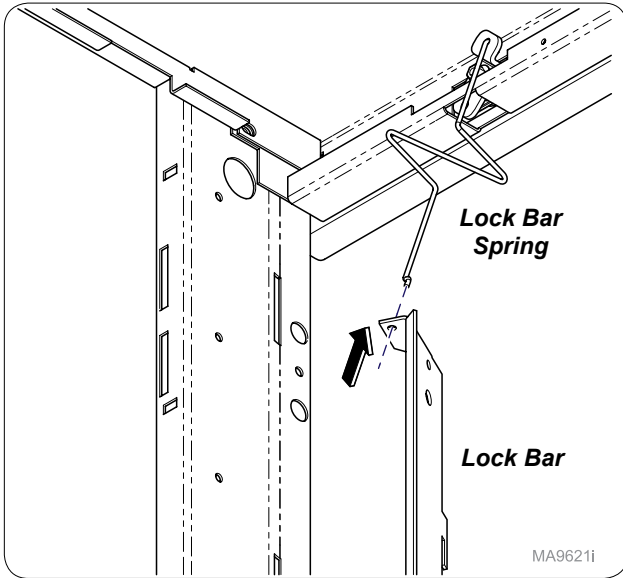
Step 8:
Assemble cam lock onto wire linkage and lock bar spring onto cam lock.



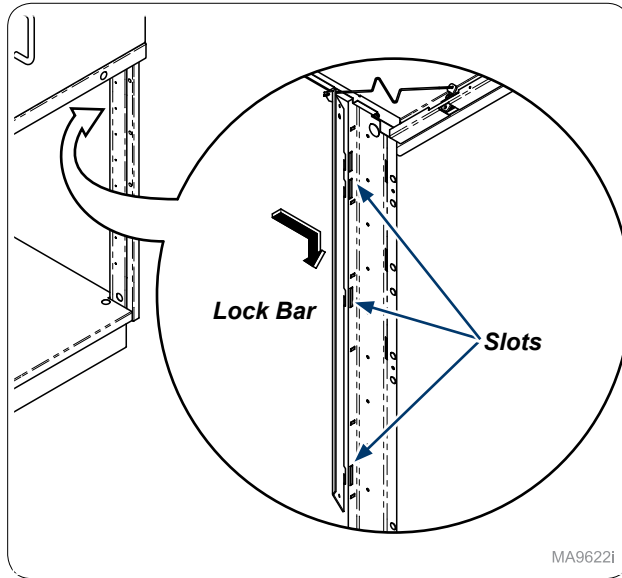
Step 9:
Install cam lock into mullion from inside cabinet making sure lock bar spring is on top as shown.



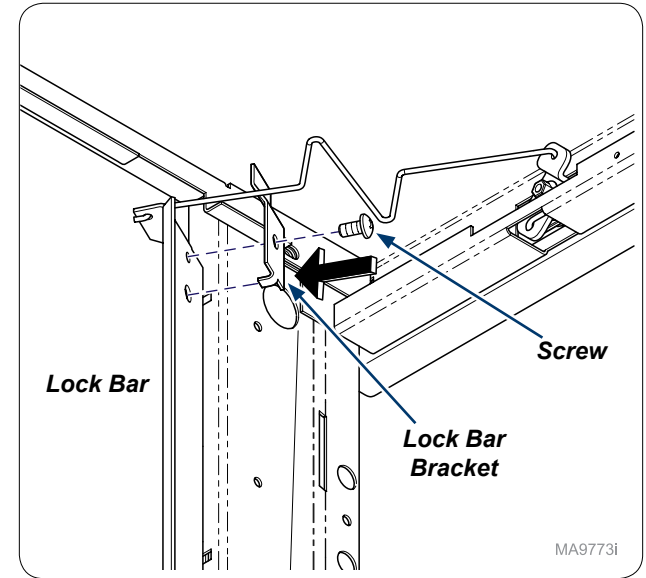
Step 10:
On outside of cabinet install lock bezel and lock plug.
Note: Cam should be in lock position as shown in next step.



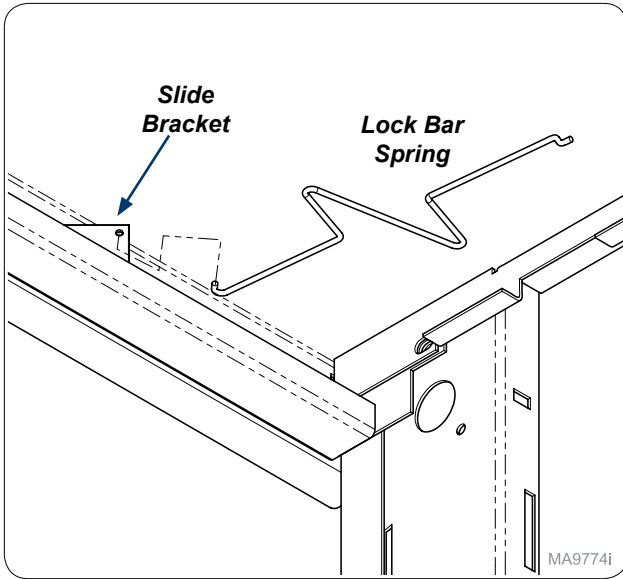
Step 11:
Install lock bar onto lock bar spring.



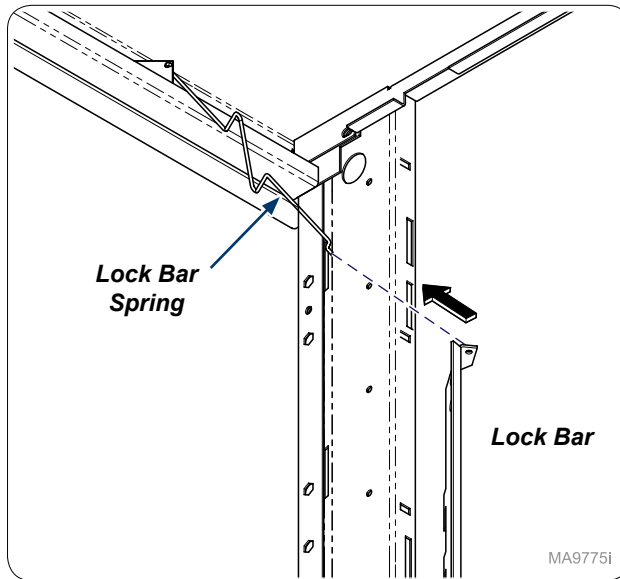
Step 12:
Inside cabinet install lock bar into slots as shown.



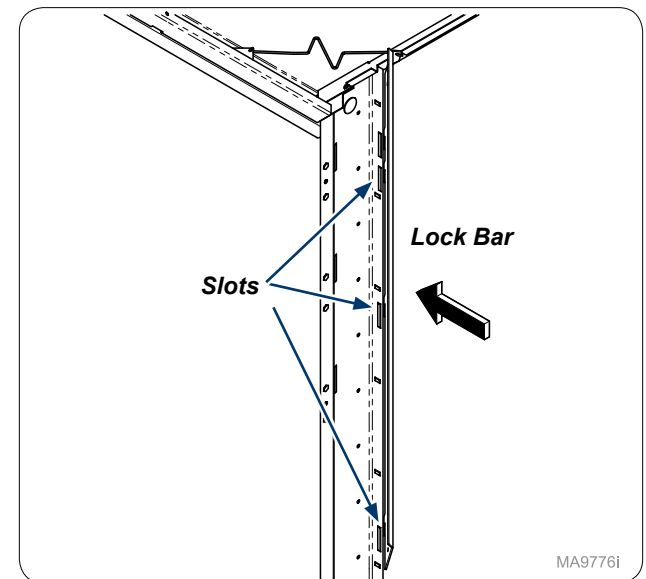
Step 13:
Secure lock bar bracket onto lock bar with screw provided.



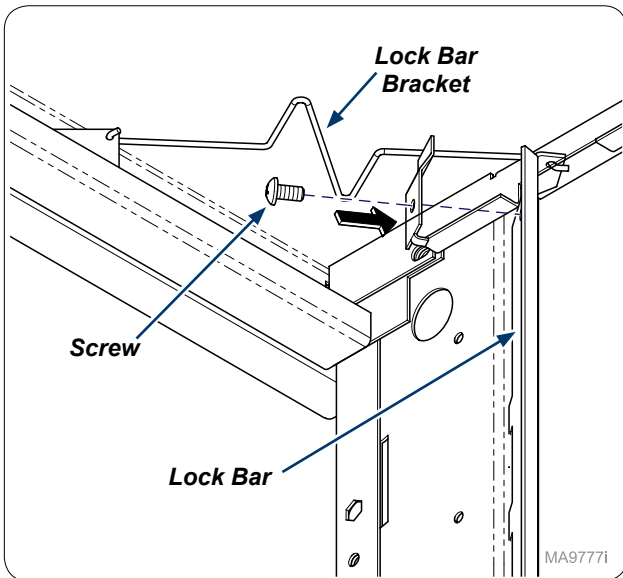
Step 14:
Install lock bar spring onto slide bracket.



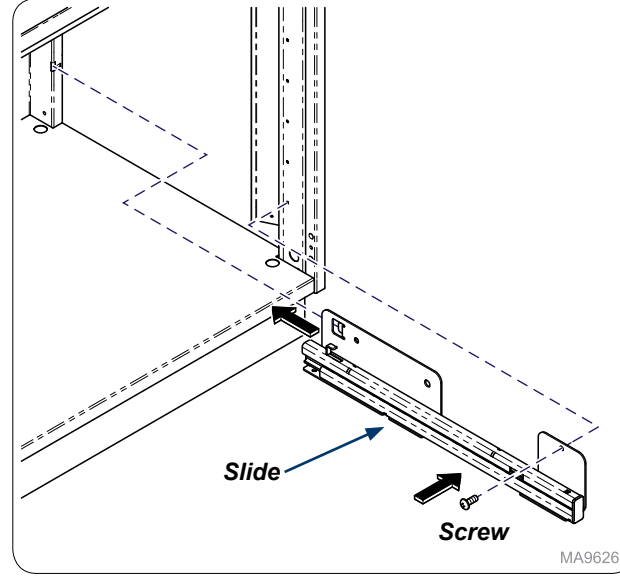
Step 15:
Install lock bar onto lock bar spring.



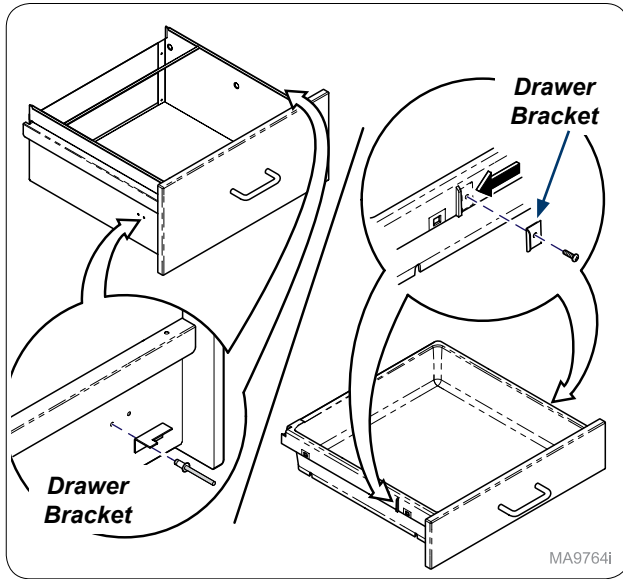
Step 16:
Inside cabinet install lock bar into slots as shown.
Note: Lock bars will vary but assembly process is the same.



Step 17:
Secure lock bar bracket onto lock bar with screw provided.

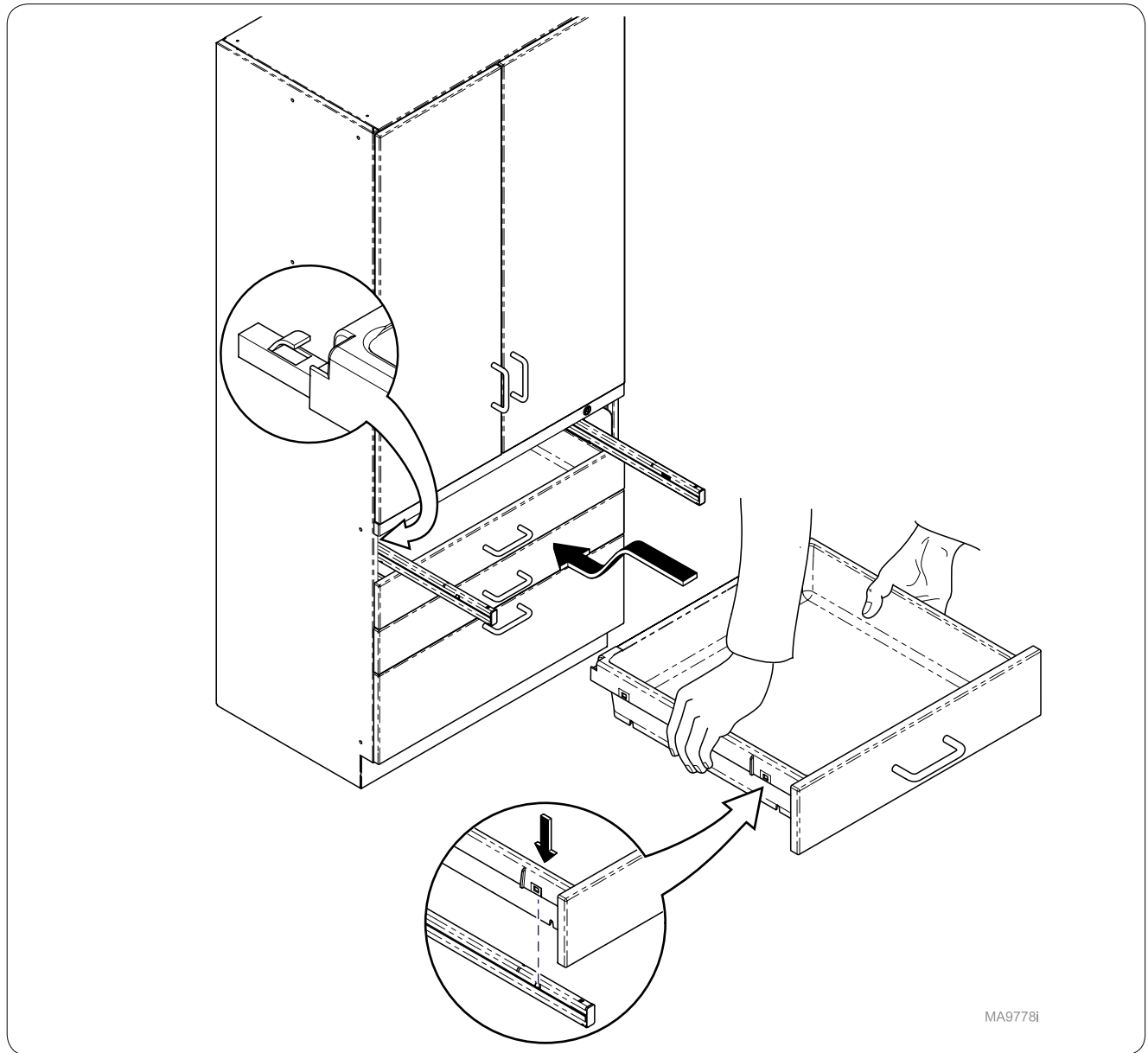


Step 18:
Re-install slides with screws as needed.



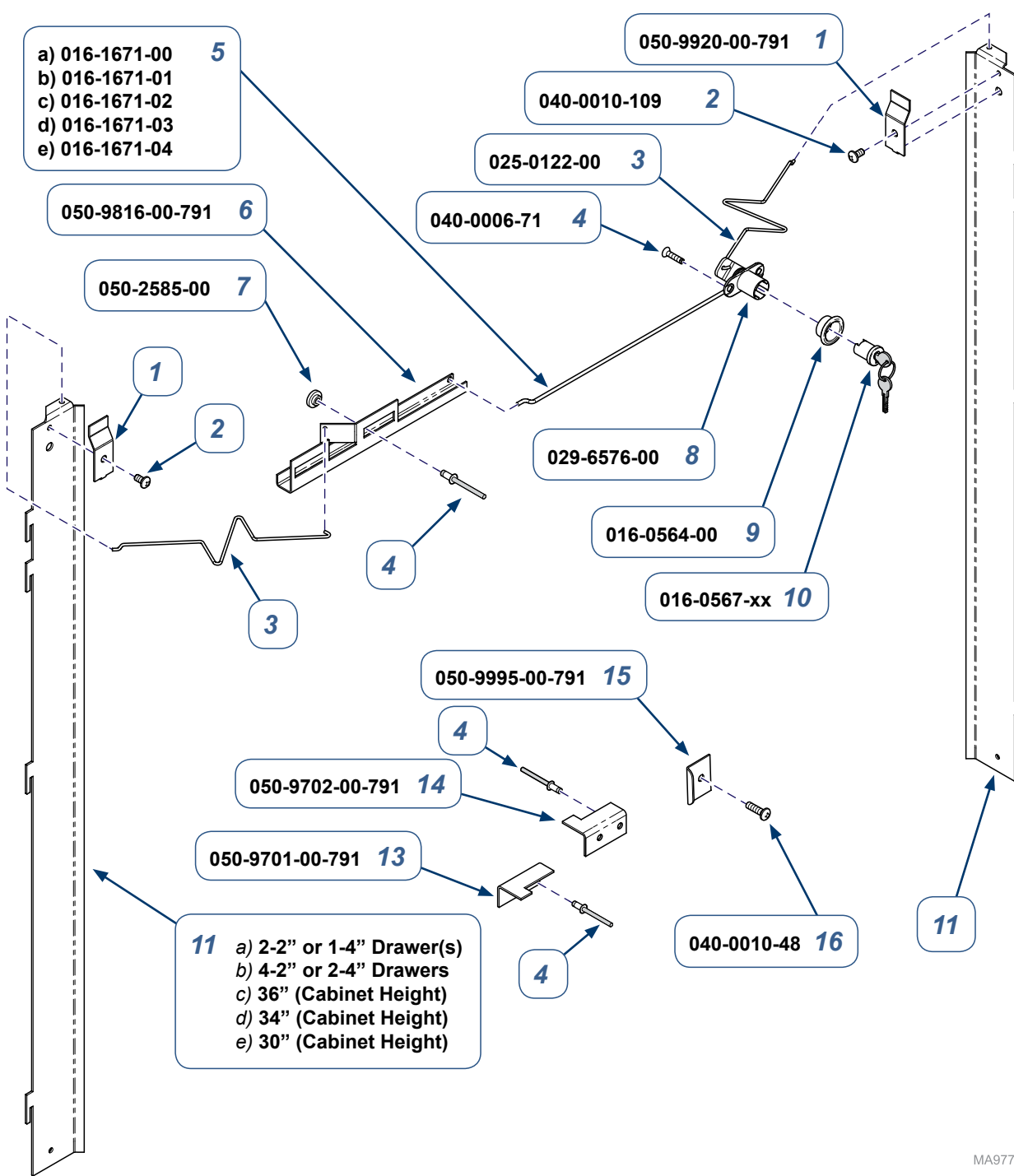
MA9764i

Step 19:
 Install drawer brackets as needed on drawer or filing drawers.
Note: Numbers of bracket(s) and screw(s) will vary with number of drawers.



MA9778i

Step 20:
 Re-install drawers and test lock.



Lock Plug	Key Number	Lock Plug	Key Number
016-0567-00	100T	016-0567-09	107T
016-0567-01	101T	016-0567-10	108T
016-0567-02	102T	016-0567-11	109T
016-0567-03	103T	016-0567-12	110T
016-0567-04	104T	016-0567-13	111T
016-0567-05	105T	016-0567-14	112T
016-0567-08	106T	016-0567-15	113T

002-1904-xx Tall Cabinet Drawer Keyed Double Lock Kit (see chart on next page) (includes items 1 thru 16)

Item	Description	Qty.
1	• Lock Bar Bracket	1
2	• Screw (#10 -24 x 3/8")	2
3	• Lock Bar Spring	2
4	• Screw (#6 x 5/8")	8
5	• Wire Linkage a) 4" (18" Cabinet Width) b) 7" (21" Cabinet Width) c) 10" (24" Cabinet Width) d) 15.5" (30" Cabinet Width) e) 21.5" (36" Cabinet Width)	1
6	• Slide Bracket	1
7	• Slide Bracket Spacer	2
8	• Cam Lock	1
9	• Lock Bezel	1
10	• Lock Plug (See Chart)	1
11	• Lock Bar Contact Technical Service for Part Numbers	1
13	• LH File Lock Bracket - (1 per Drawer)	AR
14	• RH File Lock Bracket - (1 per Drawer)	AR
15	• Drawer Lock Bracket - (1 per Drawer)	AR
16	• Screw (#10 x 5/8") - (1 per Lock Bracket)	AR

Serial Numbers / Dates:

all

MA9779i

Lock Kit	Cabinet Width	Used on:
002-1904-00	30"	Tall Cabinet: 2 - 2" / 1 - 4" Drawers
002-1904-01	36"	Tall Cabinet: 1 - 4" Drawers
002-1904-02	30"	Tall Cabinet: 4 - 2" / 2 - 4" Drawers
002-1904-03	36"	Tall Cabinet: 2 - 4" Drawers
002-1904-04	30"	Tall Cabinet: All Drawers
002-1904-05	36"	Tall Cabinet: All Drawers
002-1904-06	18"	Tall Cabinet: All / 1 - File Drawer
002-1904-07	21"	Tall Cabinet: All / 1 - File Drawer
002-1904-08	24"	Tall Cabinet: All / 1 - File Drawer
002-1904-09	30"	Tall Cabinet: All / 1 - File Drawer
002-1904-10	36"	Tall Cabinet: All / 1 - File Drawer
002-1904-11	18"	Tall Cabinet: All / 2 - File Drawers
002-1904-12	21"	Tall Cabinet: All / 2 - File Drawers
002-1904-13	24"	Tall Cabinet: All / 2 - File Drawers
002-1904-14	30"	Tall Cabinet: All / 2 - File Drawers
002-1904-15	36"	Tall Cabinet: All / 2 - File Drawers

