

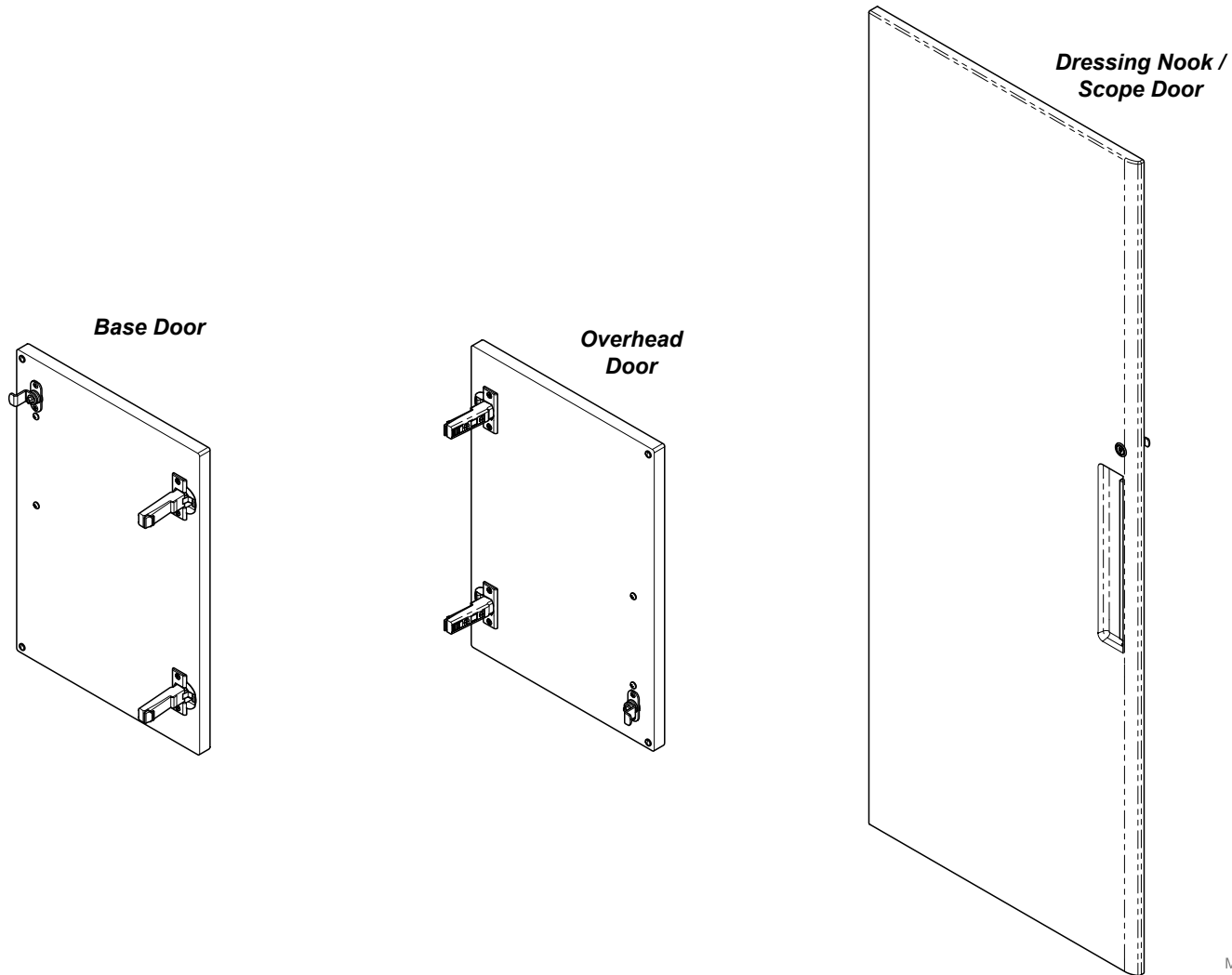


# [002-1918-00] Base, [002-1920-00] Overhead, & [002-1927-00] Dressing Nook / Scope Single Door Keyed Lock Installation

**Contents:**  
Installation ..... 1-3  
Exploded View ..... 4

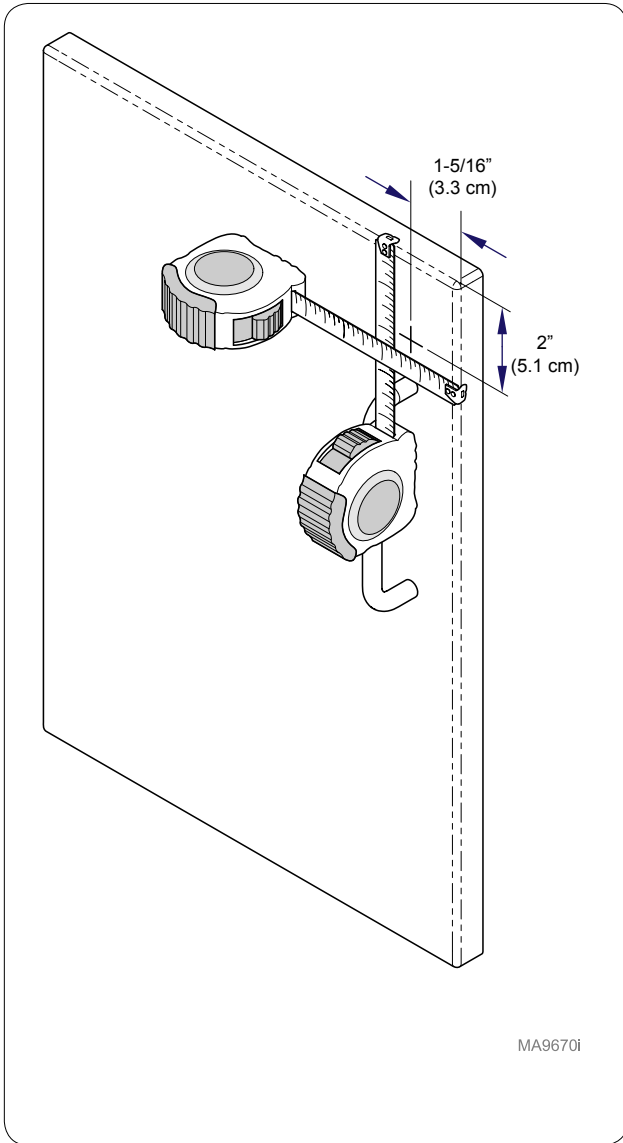
**Special Tools:**  
none

Language of origin: English



MA9669i

TP200 Rev. A

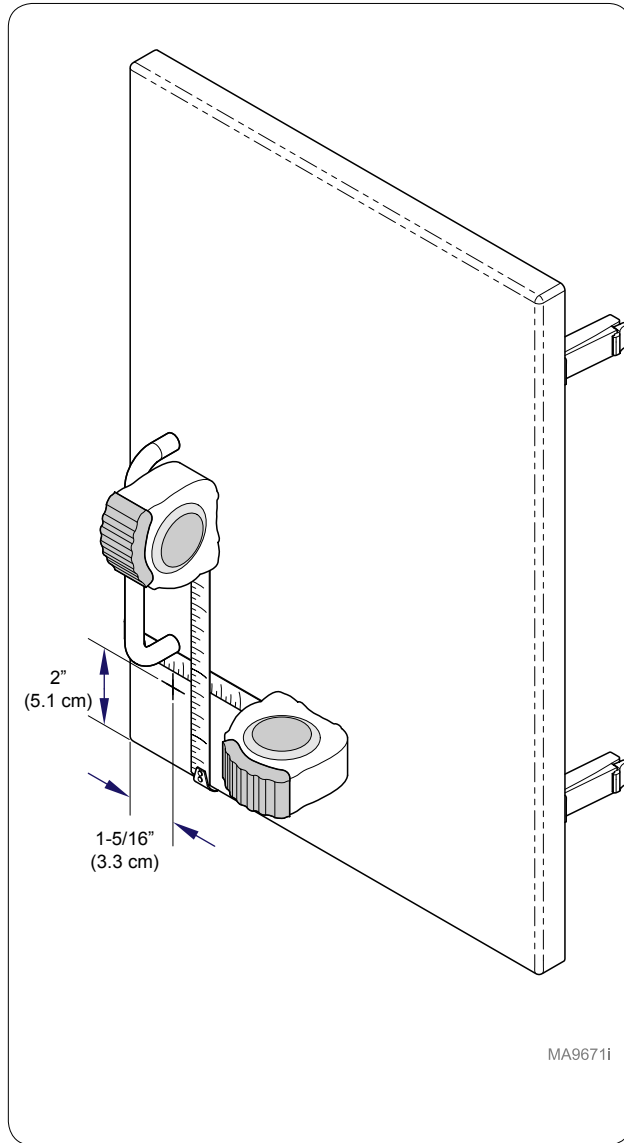


MA9670i

### Step 1: Base Cabinet

Measure down from top of door 2" (5.1 cm) and mark door. Measure from edge of door 1-5/16" (3.3 cm) and mark door.

**Note:** May need to remove handle to make measurements.

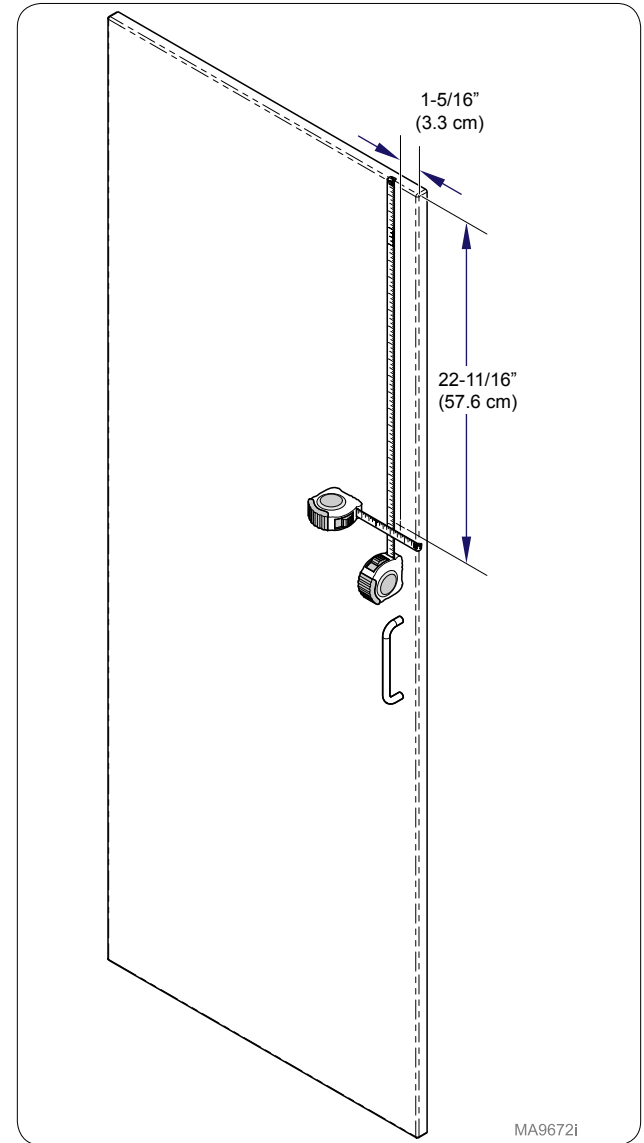


MA9671i

### Step 1: Overhead

Measure up from bottom of door 2" (5.1 cm) and mark door. Measure from edge of door 1-5/16" (3.3 cm) and mark door.

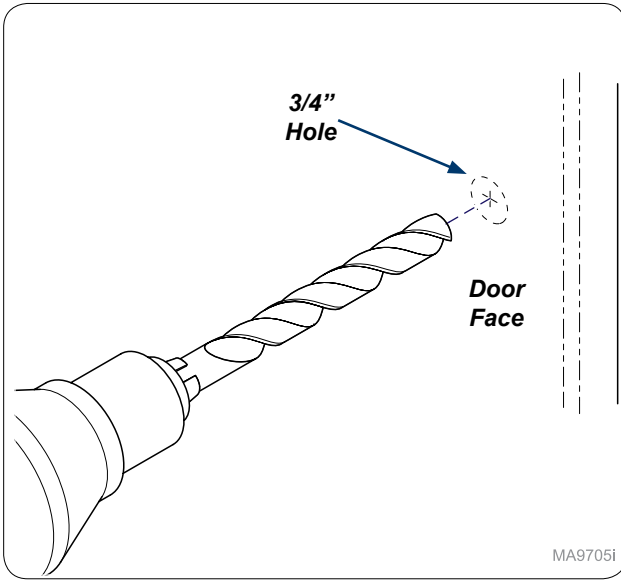
**Note:** May need to remove handle to make measurements.



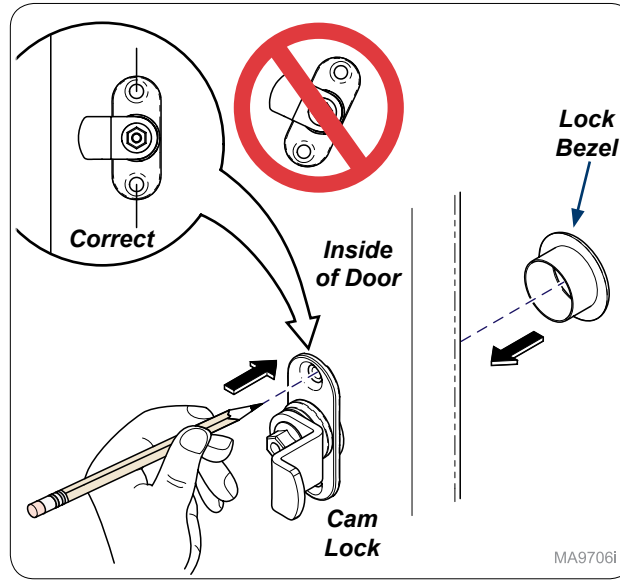
MA9672i

### Step 1: Dressing Nook

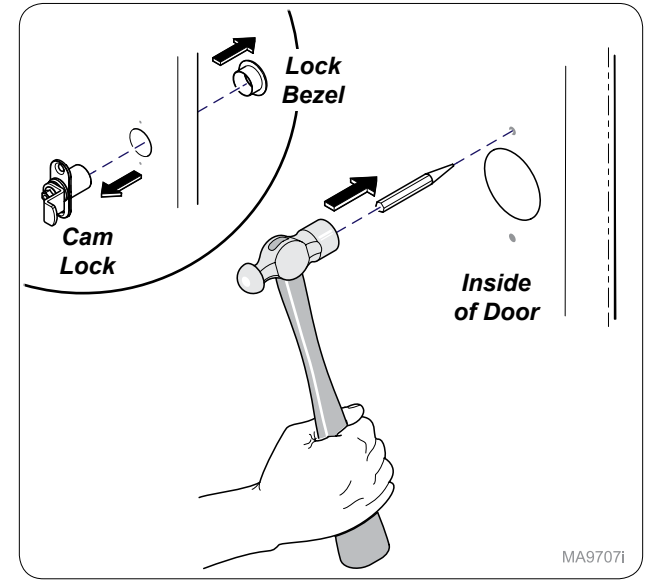
Measure down from top of door 22-11/16" (57.6 cm) and mark door. Measure from edge of door 1-5/16" (3.3 cm) and mark door.



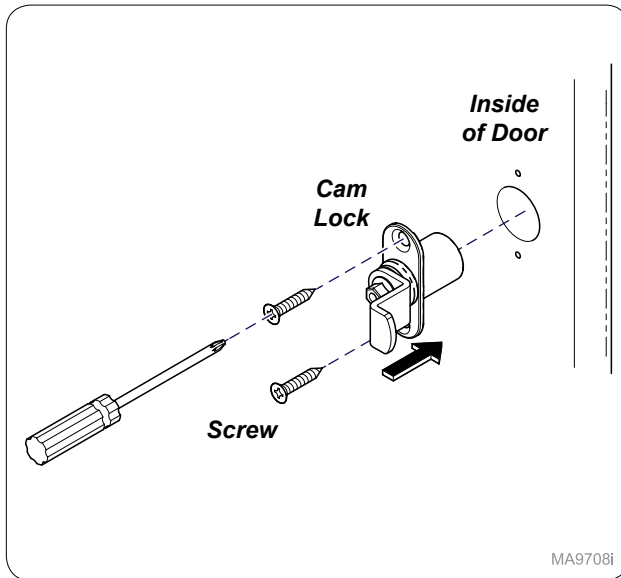
**Step 2:**  
Drill 3/4" hole through door face.



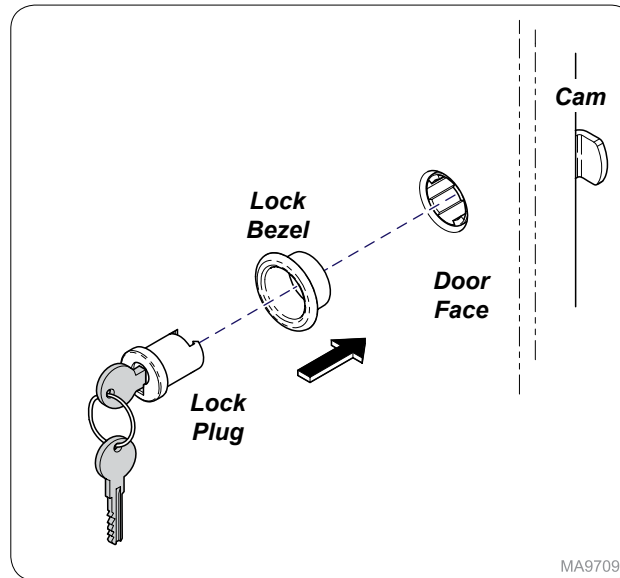
**Step 3:**  
Insert cam lock and lock bezel into drilled hole and mark mounting holes as shown.  
**Note:** Make sure cam lock is parallel with edge of door.



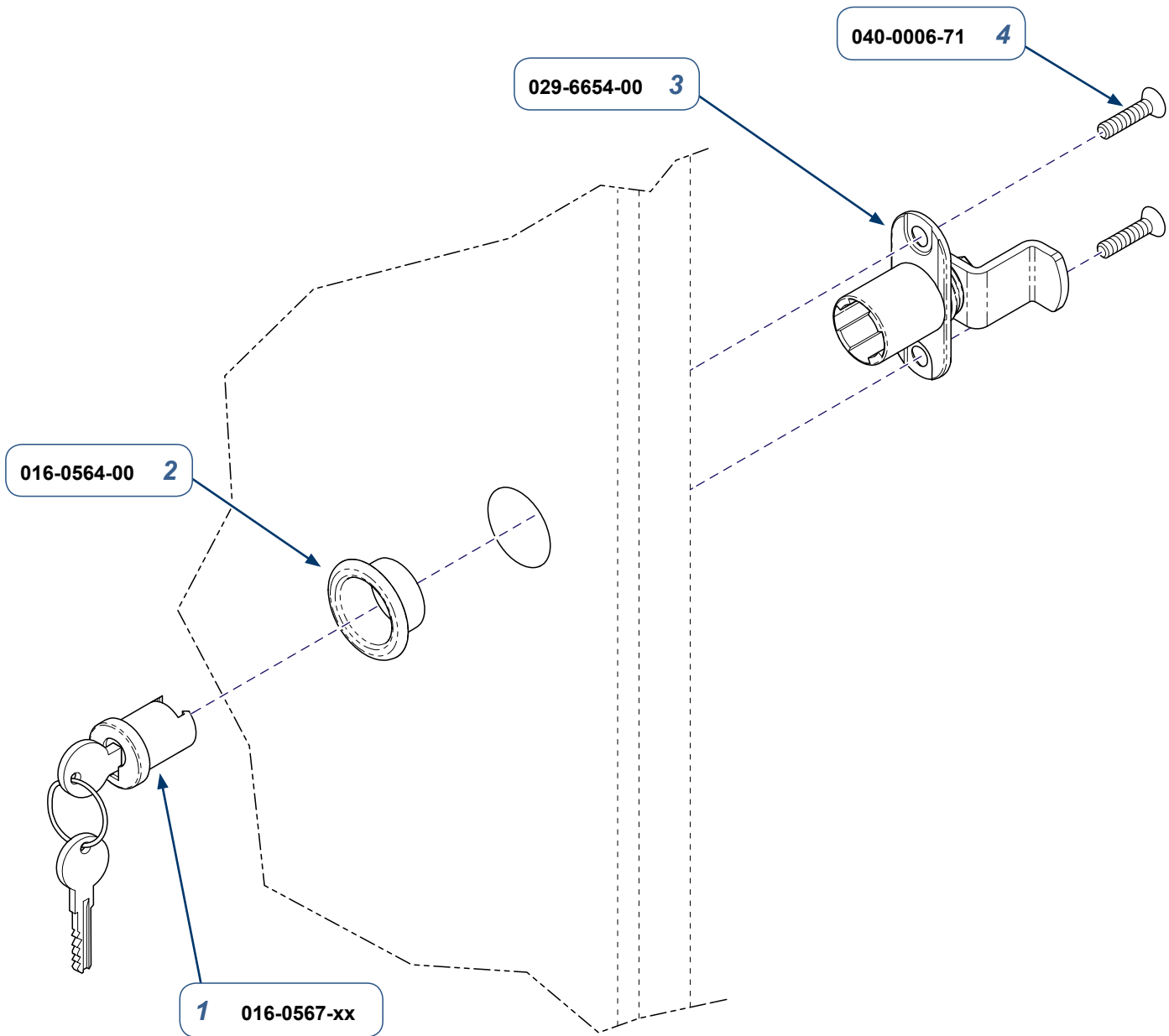
**Step 4:**  
Remove cam lock and lock bezel and use hole punch and hammer to start mounting holes.



**Step 5: (Base shown)**  
Install cam lock into inside of door and secure with screws (x2).



**Step 6:**  
Install lock bezel and lock plug into door face with cam in locked position as shown.



Lock Plug	Key Number
016-0567-00	100T
016-0567-01	101T
016-0567-02	102T
016-0567-03	103T
016-0567-04	104T
016-0567-05	105T
016-0567-08	106T
016-0567-09	107T
016-0567-10	108T
016-0567-11	109T
016-0567-12	110T
016-0567-13	111T
016-0567-14	112T
016-0567-15	113T

**002-1918-00 Base Single Door**  
**002-1920-00 Overhead Single Door**  
**002-1927-00 Nook / Scope Single Door**  
**Keyed Lock Kit**  
*(includes items 1 thru 4)*

Item	Description	Qty.
1	• Lock Plug (See Chart)	1
2	• Lock Bezel	1
3	• Cam Lock	1
4	• Screw (#6 x 5/8")	2

MA9710I

**Serial Numbers / Dates:** all