

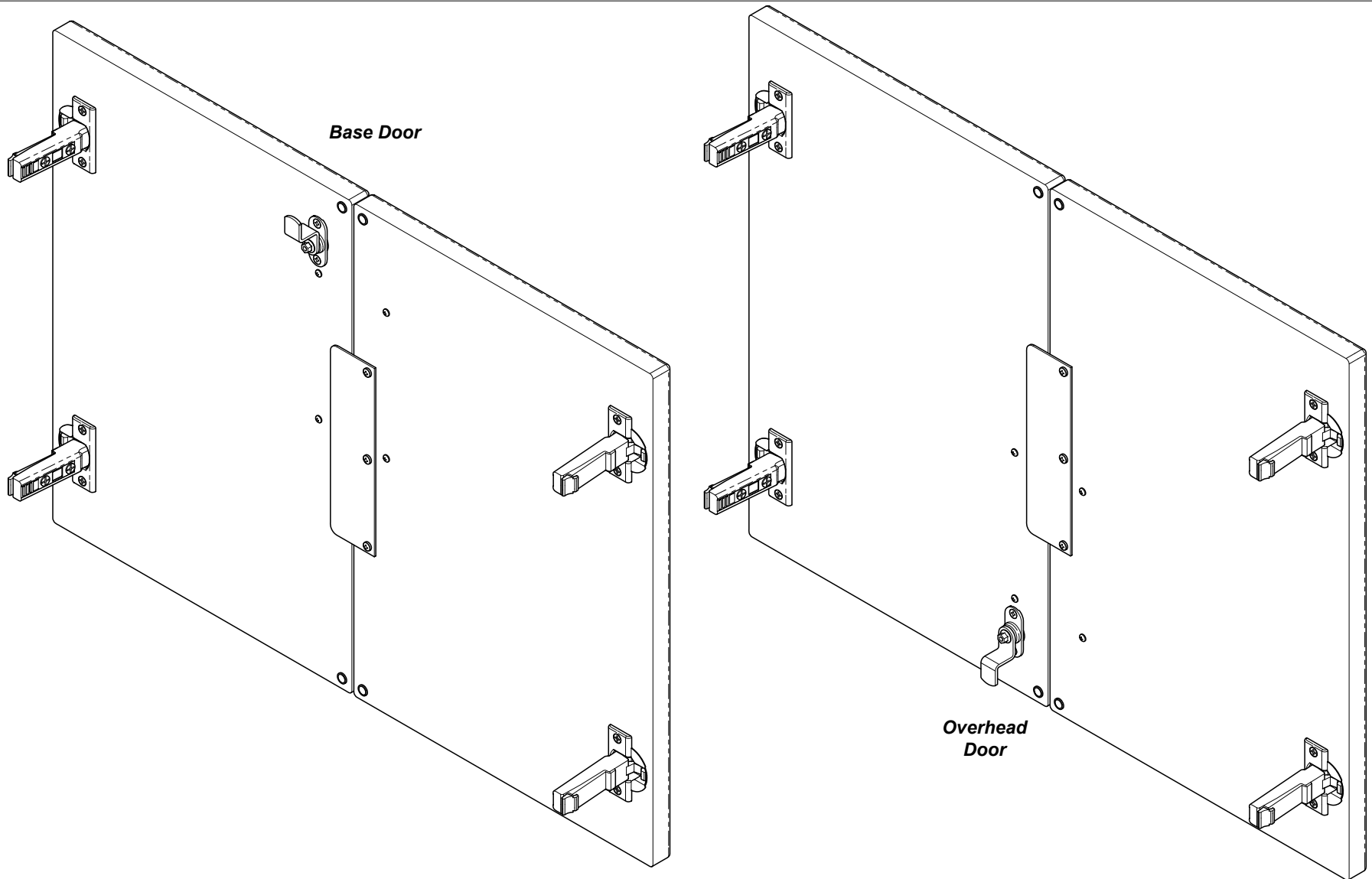


[002-1919-00] Base & [002-1921-00] Overhead Double Door Keyed Lock Installation

Contents:
Installation 1-4
Exploded View 5

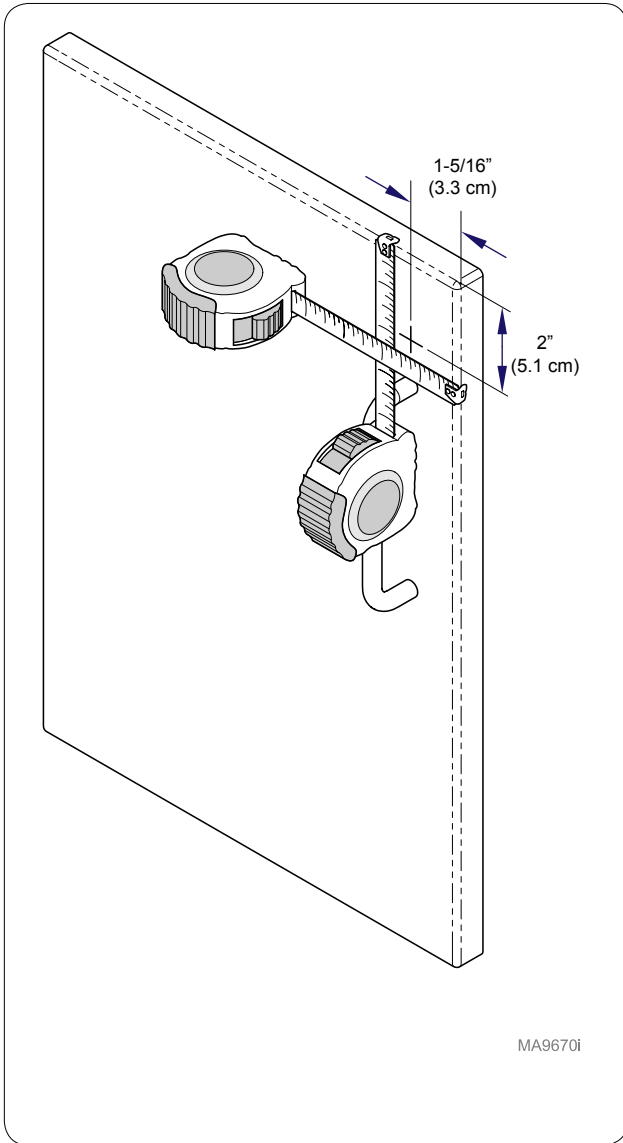
Special Tools:
none

Language of origin: English



MA9712i

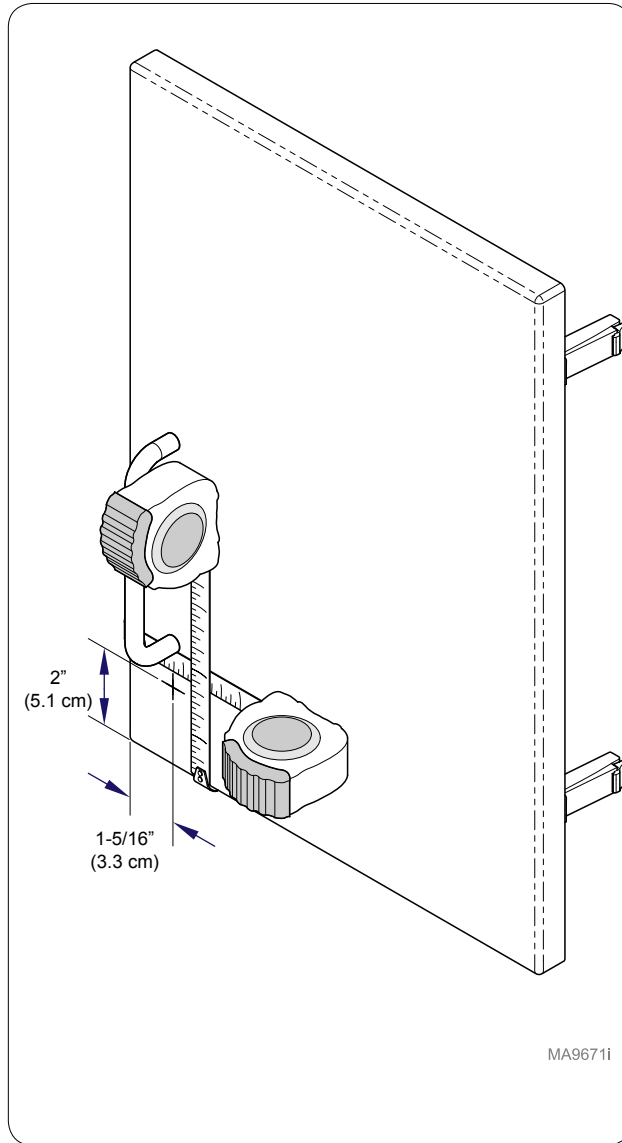
TP200 Rev. A



Step 1: Base Cabinet

Measure down from top of door 2" (5.1 cm) and mark door. Measure from edge of door 1-5/16" (3.3 cm) and mark door.

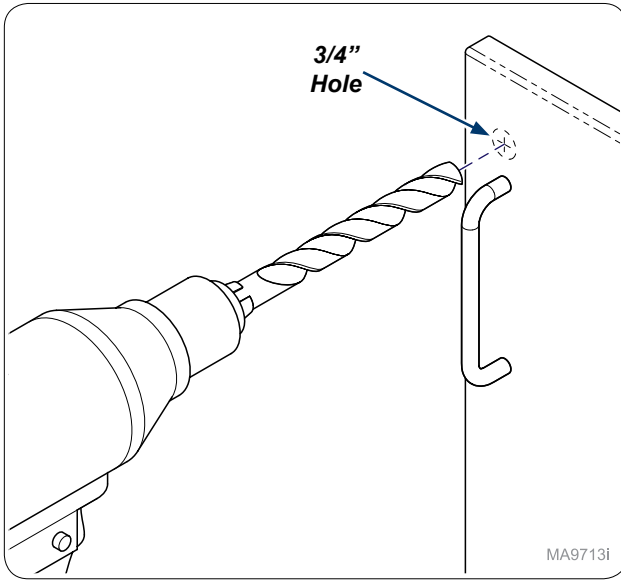
Note: May need to remove handle to make measurements.



Step 1: Overhead

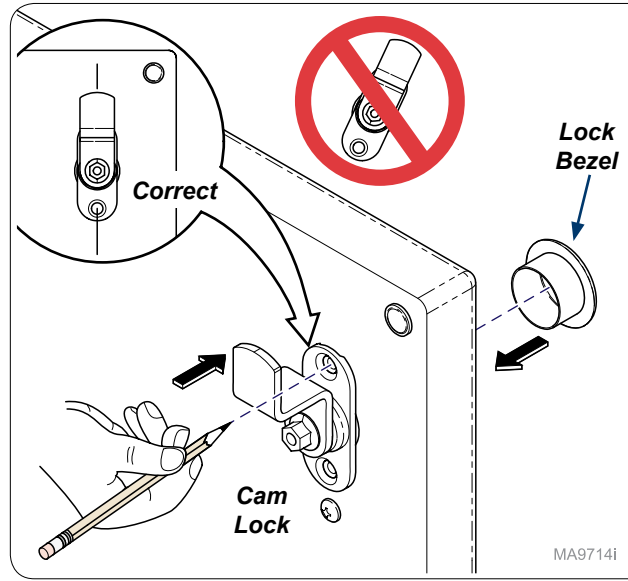
Measure up from bottom of door 2" (5.1 cm) and mark door. Measure from edge of door 1-5/16" (3.3 cm) and mark door.

Note: May need to remove handle to make measurements.



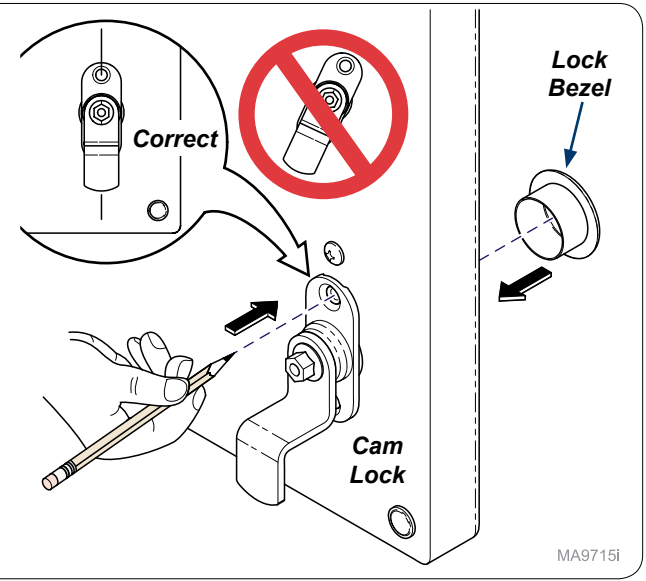
MA9713i

Step 2:
Drill 3/4" hole through front of door.



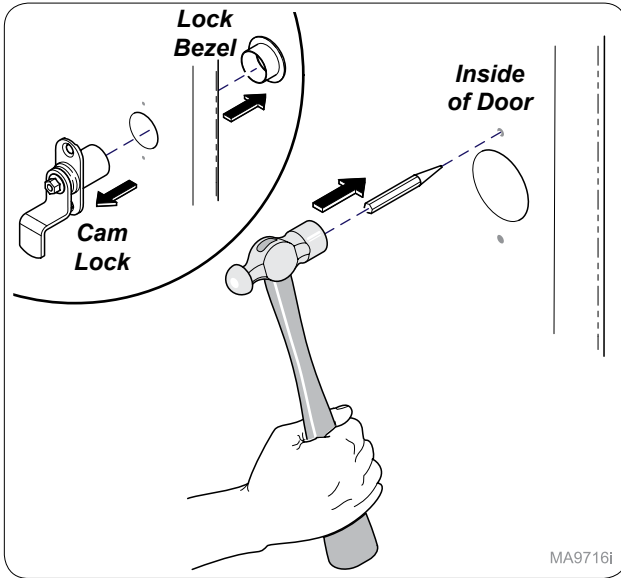
MA9714i

Step 3: Base
Insert cam lock and lock bezel into drilled hole and mark mounting holes as shown.



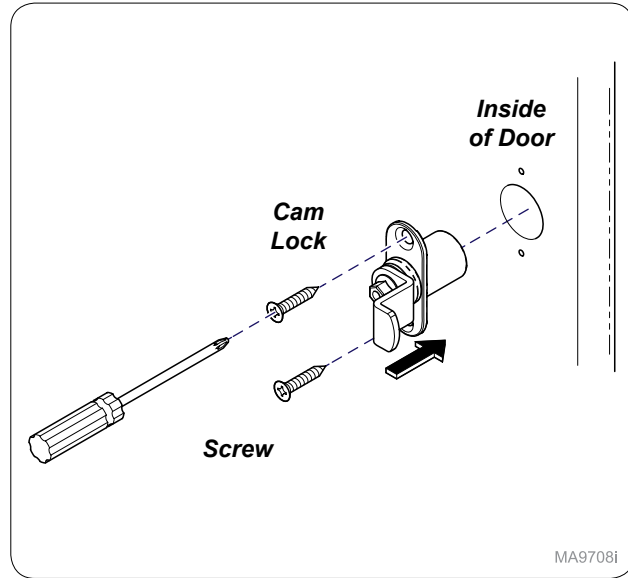
MA9715i

Step 3: Overhead
Insert cam lock and lock bezel into drilled hole and mark mounting holes as shown.



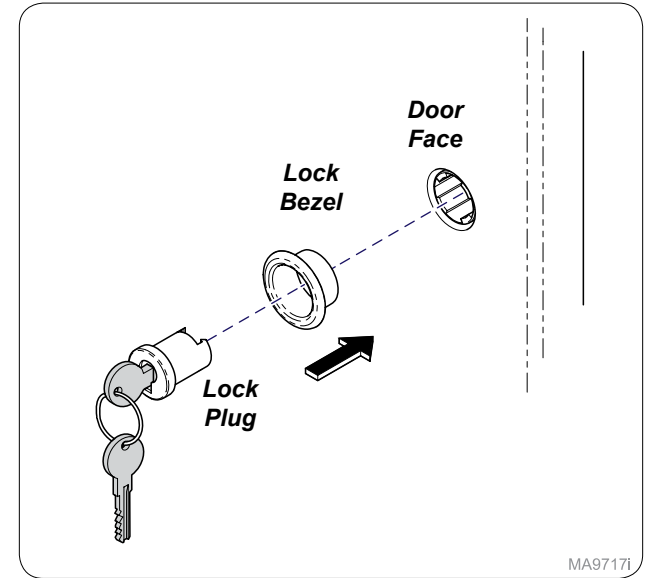
MA9716i

Step 4:
Remove cam lock and lock bezel and use hole punch and hammer to start mounting holes.



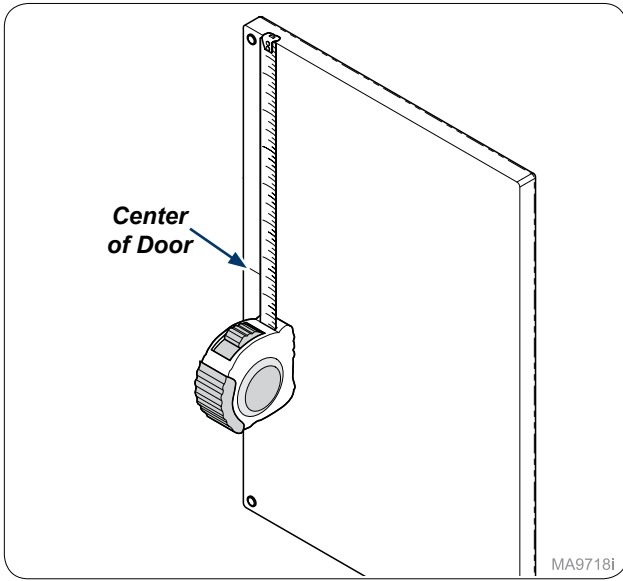
MA9708i

Step 5:
Install cam lock into inside of door and secure with screws (x2).



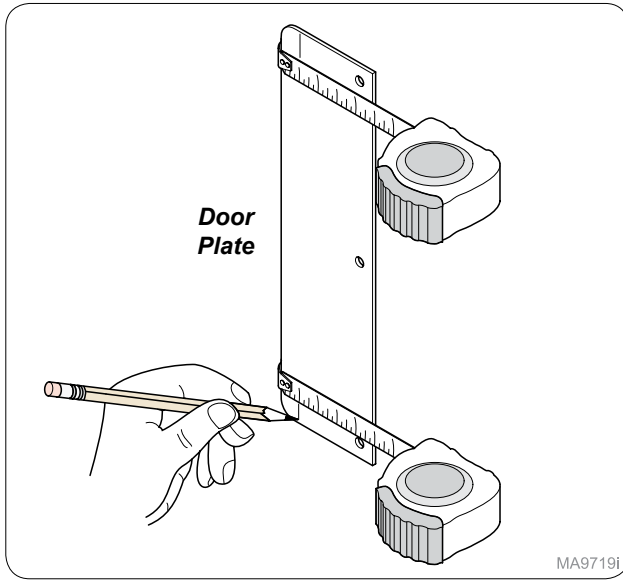
MA9717i

Step 6:
Install lock bezel and lock plug into door face with cam in locked position as see in Step 3.



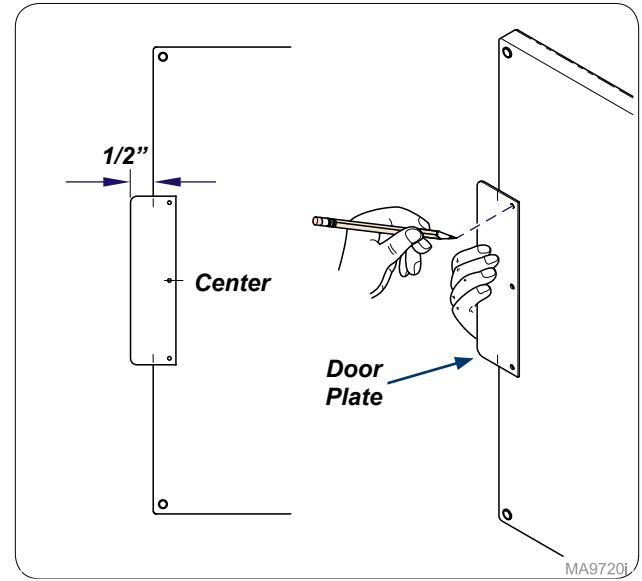
MA9718i

Step 7:
Measure down to find center of door.



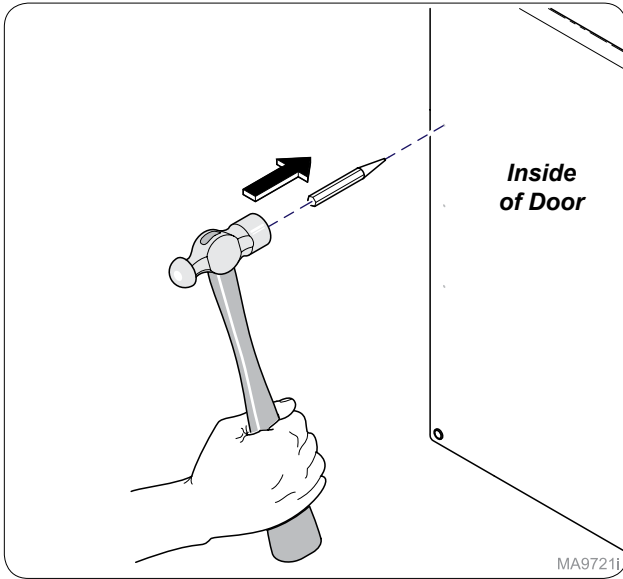
MA9719i

Step 8:
On door plate measure and mark 1/2".



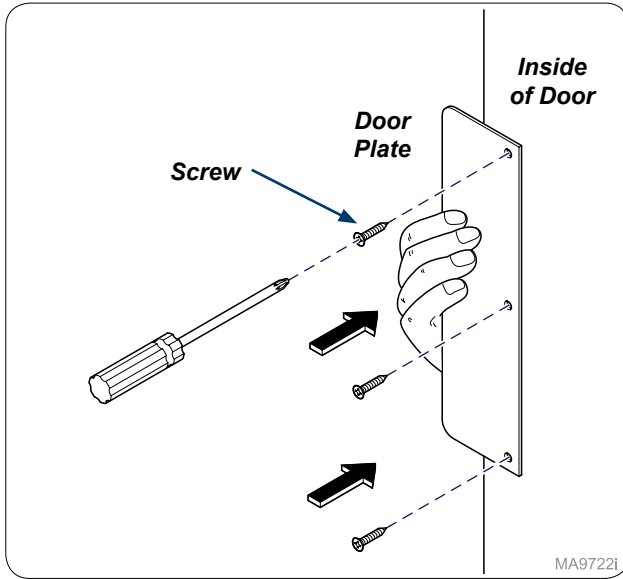
MA9720i

Step 9:
Using mark on door plate and center mark on door place door plate on inside of door and mark hole locations.



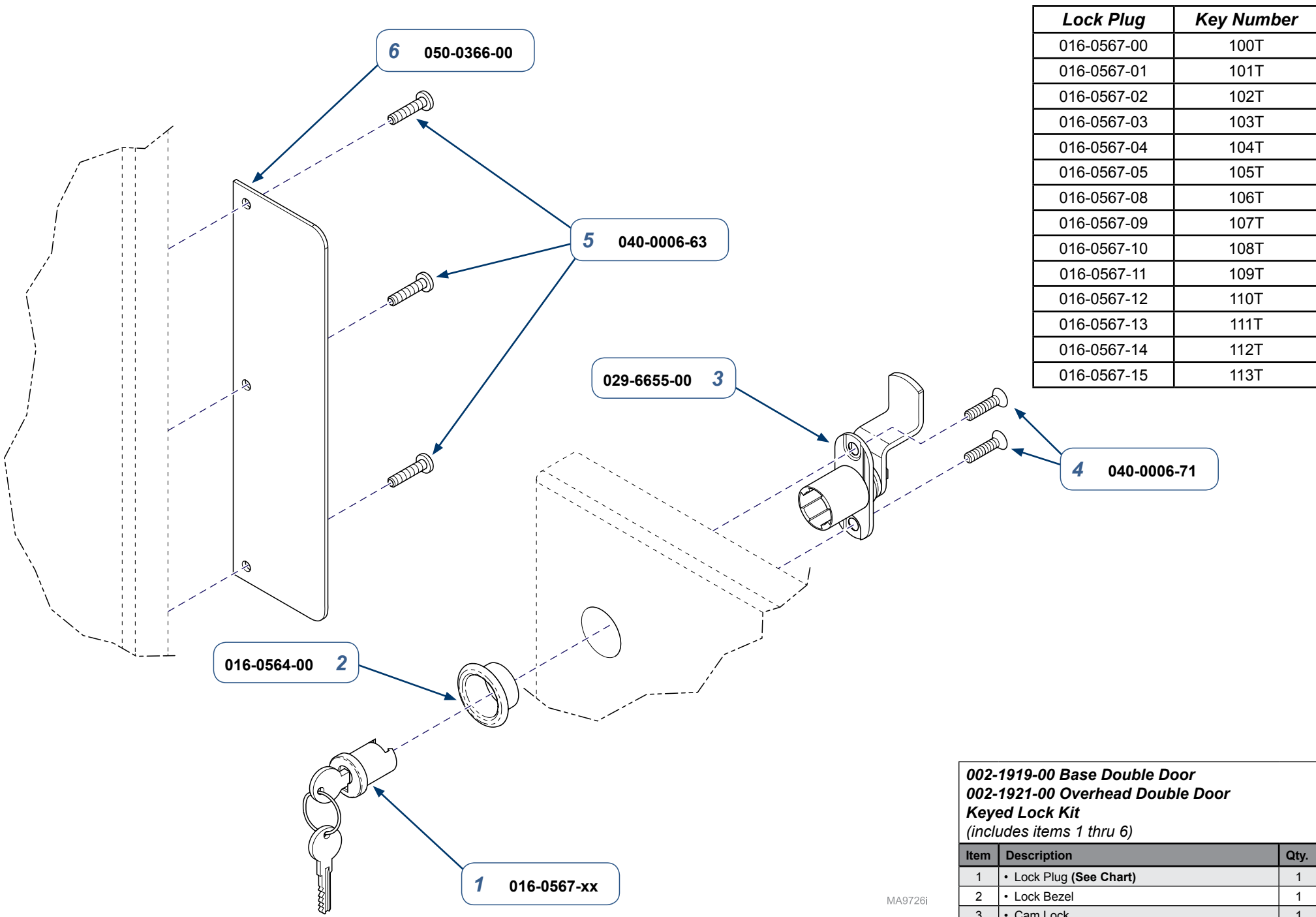
MA9721i

Step 10:
Use hole punch and hammer to start mounting holes.



MA9722i

Step 11:
Install door plate onto inside of door and secure with screws (x3).



Lock Plug	Key Number
016-0567-00	100T
016-0567-01	101T
016-0567-02	102T
016-0567-03	103T
016-0567-04	104T
016-0567-05	105T
016-0567-08	106T
016-0567-09	107T
016-0567-10	108T
016-0567-11	109T
016-0567-12	110T
016-0567-13	111T
016-0567-14	112T
016-0567-15	113T

002-1919-00 Base Double Door
002-1921-00 Overhead Double Door
Keyed Lock Kit
(includes items 1 thru 6)

Item	Description	Qty.
1	• Lock Plug (See Chart)	1
2	• Lock Bezel	1
3	• Cam Lock	1
4	• Flat Head Screw (#6 x 5/8")	2
5	• Pan Head Screw (#6 x 5/8")	3
6	• Door Plate	

Serial Numbers / Dates: all