



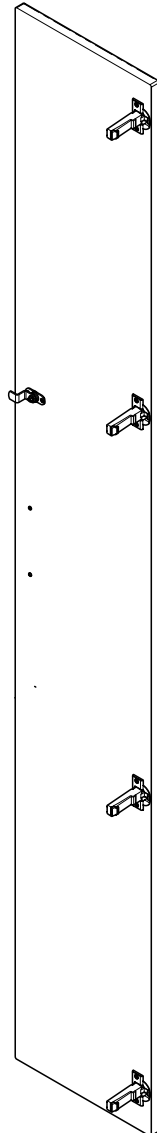
[002-1922-00] Tall Unit & [002-1923-xx] Tall Split Single Door Keyed Lock Installation

Contents:
Installation 1-3
Exploded View 4

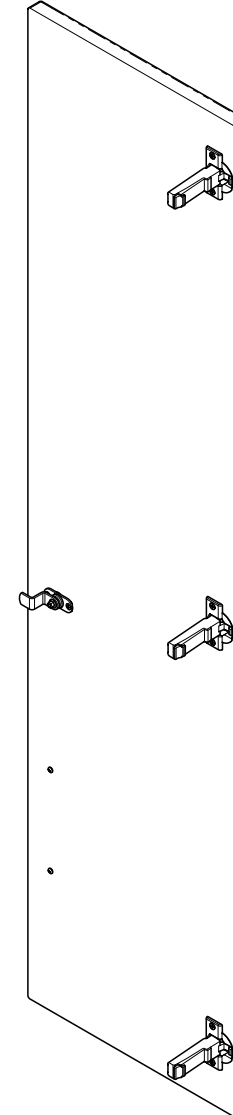
Special Tools:
none

Language of origin: English

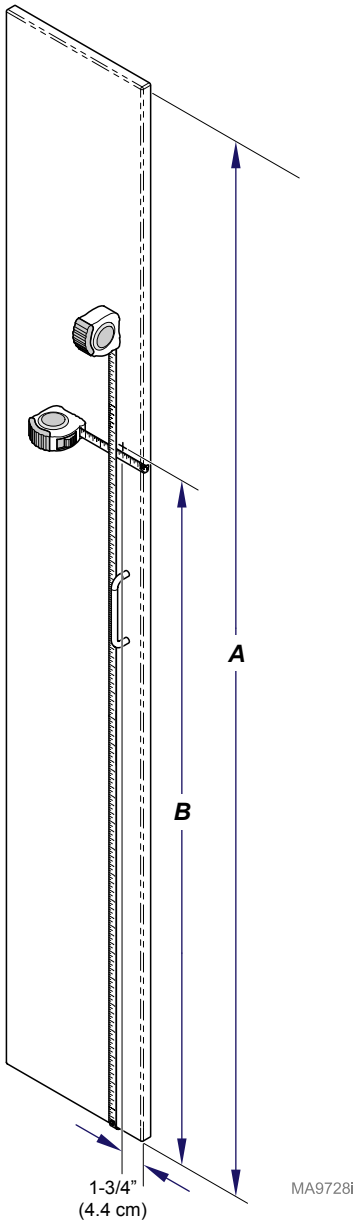
Tall Unit



Tall Split



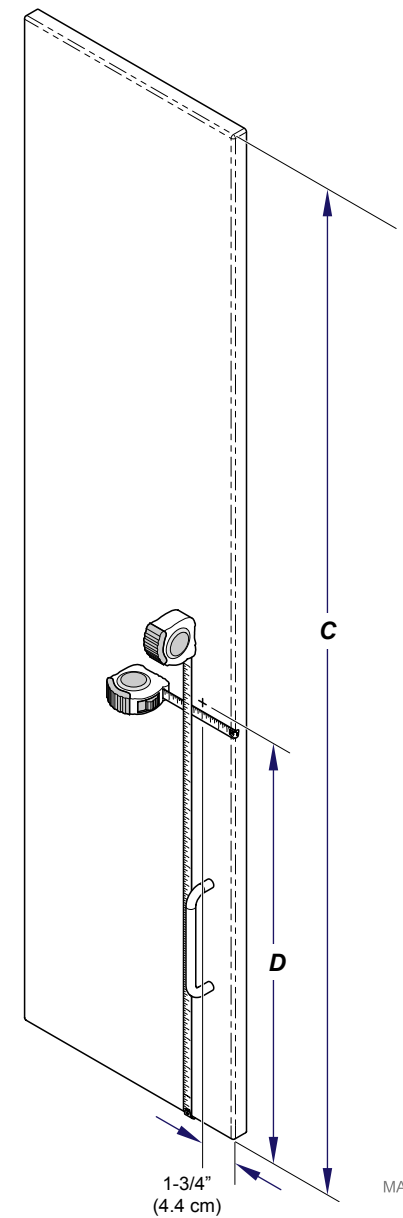
MA9727i



(A) Door Length	(B) Lock Location
79-3/4" (202.6 cm)	51-1/16" (129.7 cm)
67-3/4" (172.1 cm)	45-1/16" (114.5 cm)

MA9728i

(C) Door Length	(D) Lock Location
49-3/8" (125.4 cm)	20-11/16" (52.5 cm)
37-3/8" (94.9 cm)	14-11/16" (37.3 cm)



MA9729i

Step 1: Tall Unit

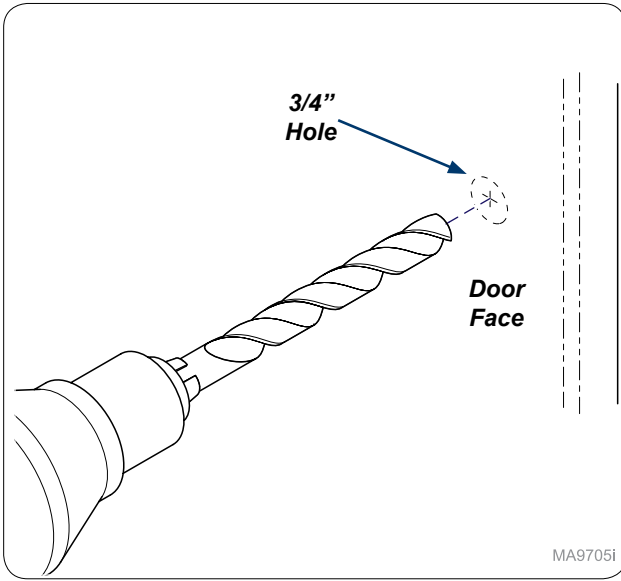
Measure from edge of door 1-3/4" (4.4 cm) and mark door. Use chart to measure from bottom of door up to mark door.

Note: May need to remove handle to make measurements.

Step 1: Tall Split

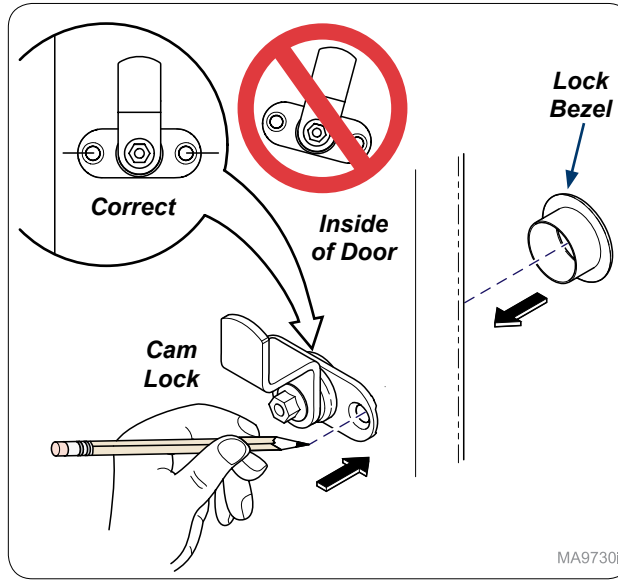
Measure from edge of door 1-3/4" (4.4 cm) and mark door. Use chart to measure from bottom of door up to mark door.

Note: May need to remove handle to make measurements.



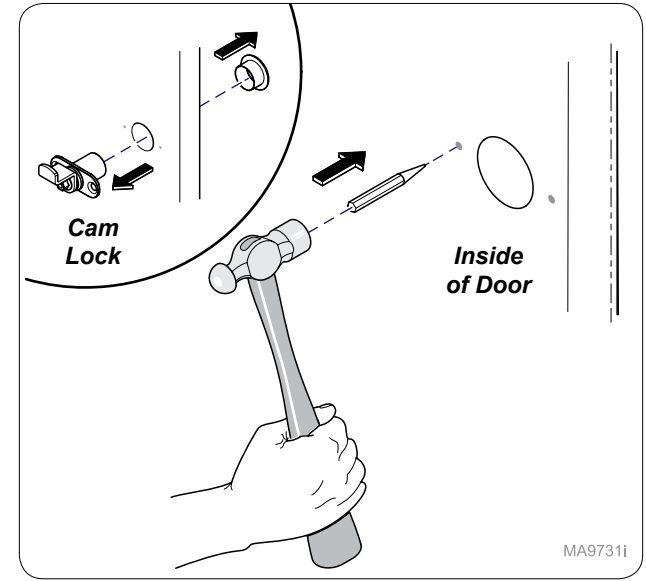
MA9705i

Step 2:
Drill 3/4" hole through door face.



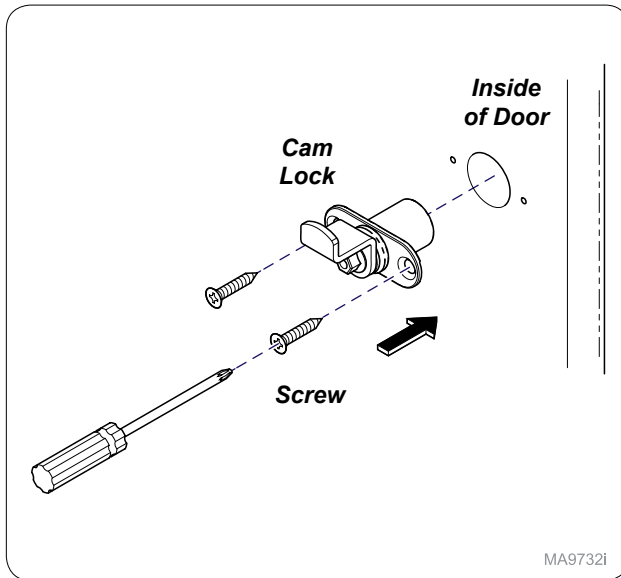
MA9730i

Step 3:
Insert cam lock and lock bezel into drilled hole and mark mounting holes as shown.
Note: Make sure cam lock is parallel with edge of door.



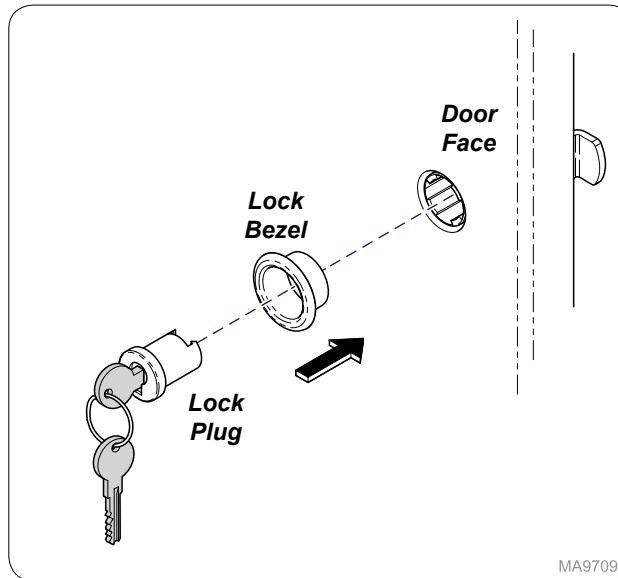
MA9731i

Step 4:
Remove cam lock and lock bezel and use hole punch and hammer to start mounting holes.



MA9732i

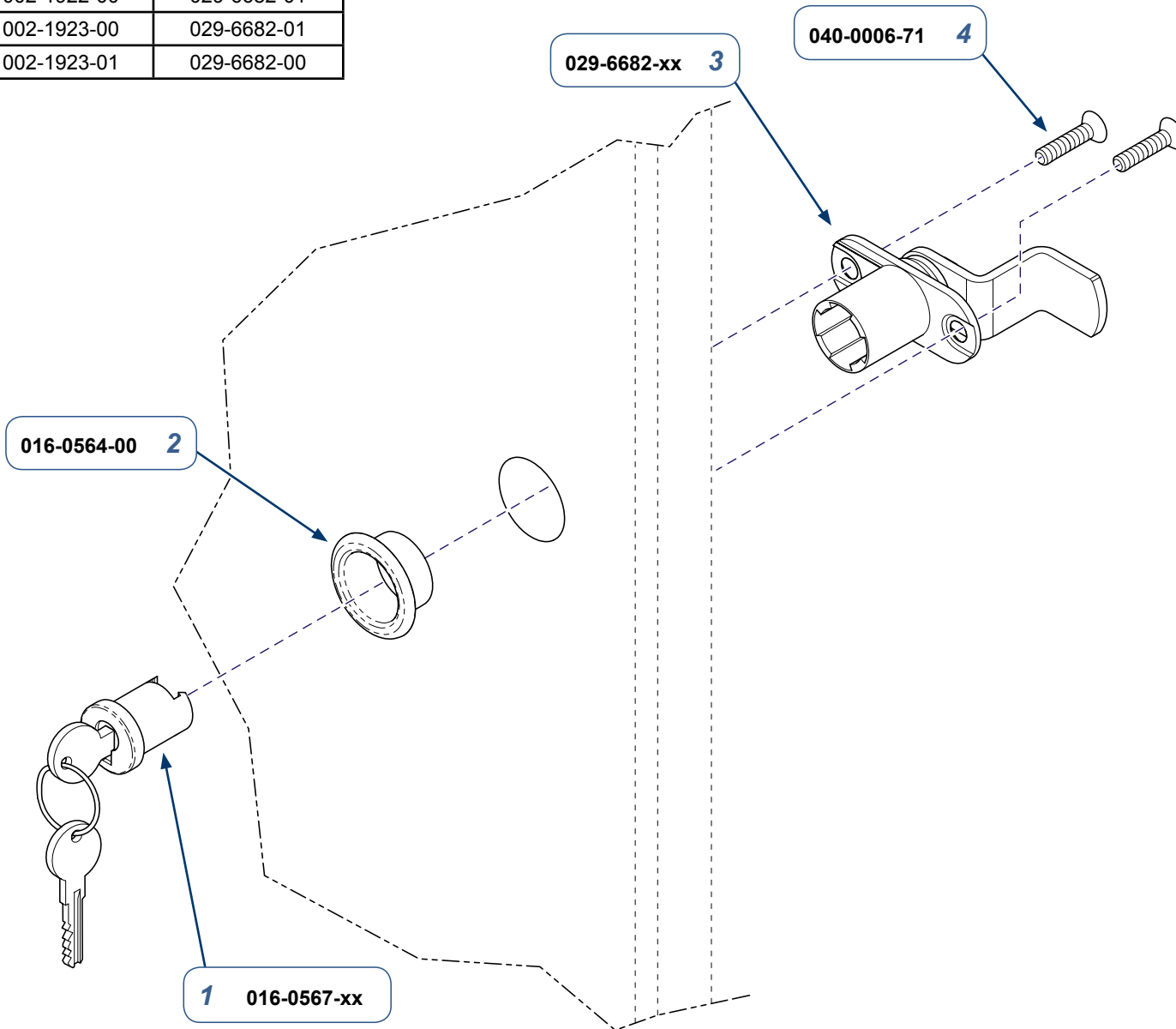
Step 5:
Install cam lock into inside of door and secure with screws (x2).



MA9709i

Step 6:
Install lock bezel and lock plug into door face with cam in lock position as shown.

Kit Number	Cam Lock
002-1922-00	029-6682-01
002-1923-00	029-6682-01
002-1923-01	029-6682-00



Lock Plug	Key Number
016-0567-00	100T
016-0567-01	101T
016-0567-02	102T
016-0567-03	103T
016-0567-04	104T
016-0567-05	105T
016-0567-08	106T
016-0567-09	107T
016-0567-10	108T
016-0567-11	109T
016-0567-12	110T
016-0567-13	111T
016-0567-14	112T
016-0567-15	113T

002-1922-00 Tall Cabinet Single Door 002-1923-xx Tall Split Single Door Keyed Lock Kit (includes items 1 thru 4)		
Item	Description	Qty.
1	• Lock Plug (See Chart)	1
2	• Lock Bezel	1
3	• Cam Lock (See Chart)	1
4	• Screw (#6 x 5/8")	2

Serial Numbers / Dates:

all

MA9733i