

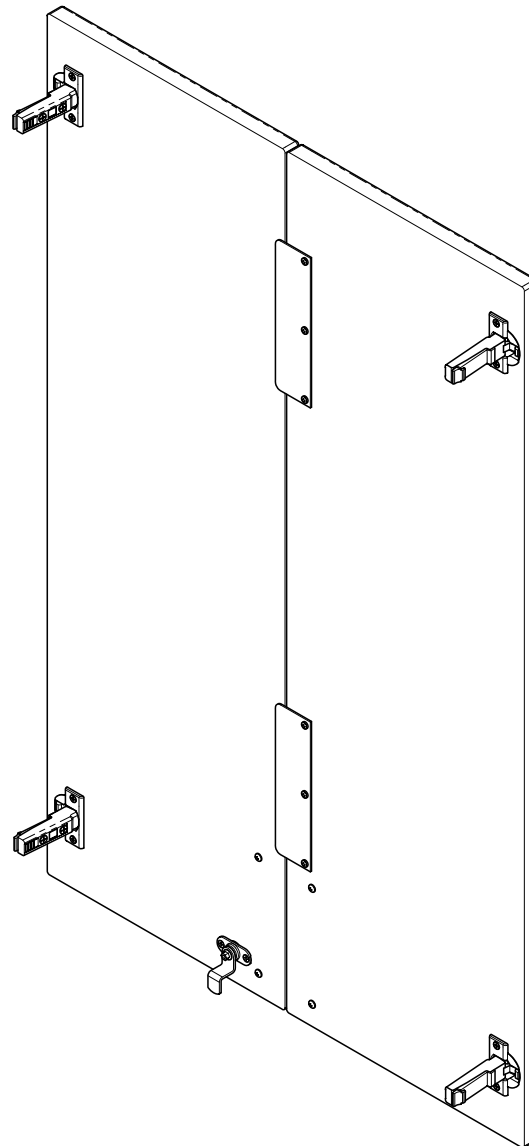


# [002-1926-00] Tall Split Double Door Keyed Lock Installation

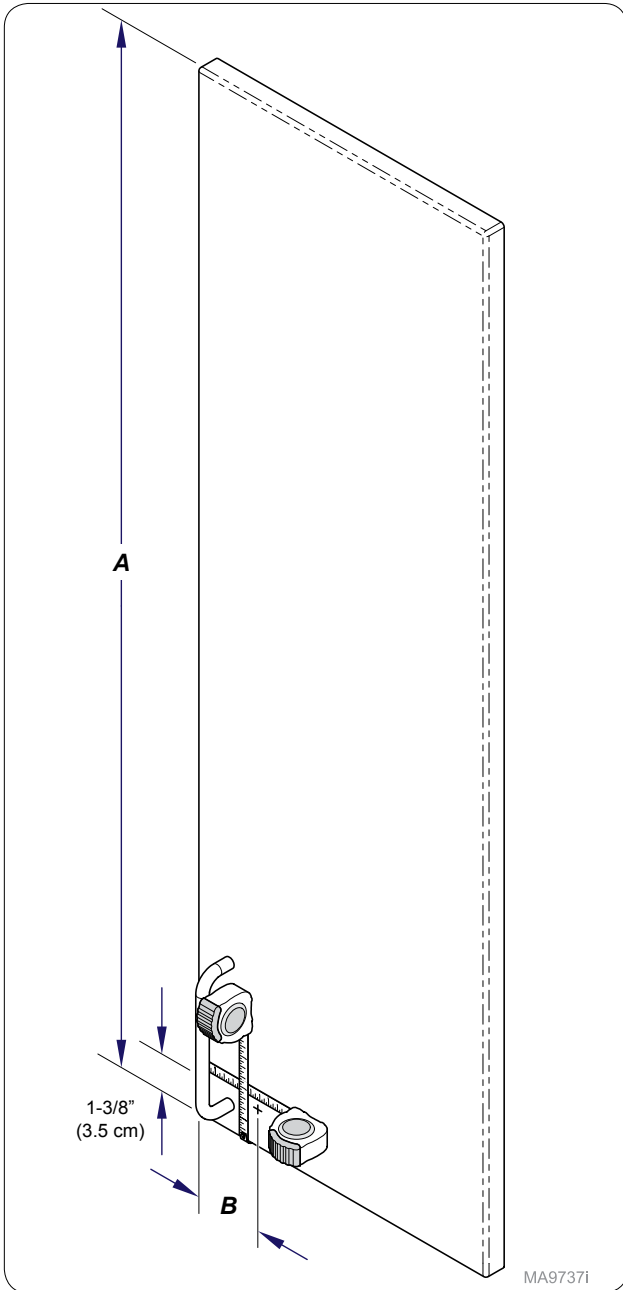
**Contents:**  
Installation ..... 1-4  
Exploded View ..... 5

**Special Tools:**  
none

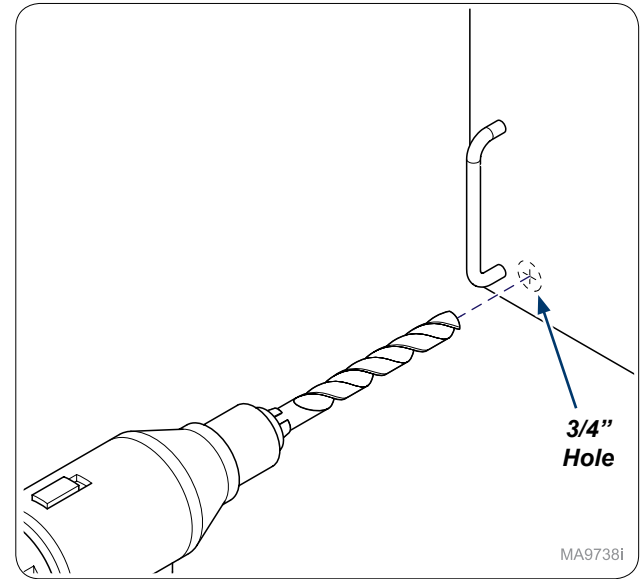
Language of origin: English



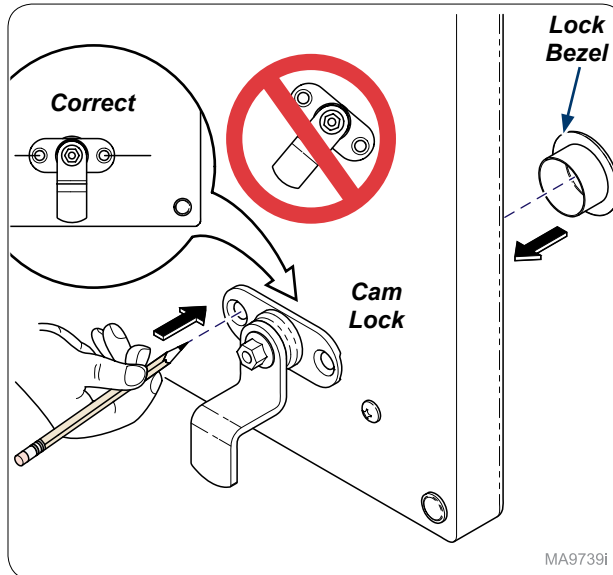
MA9736i



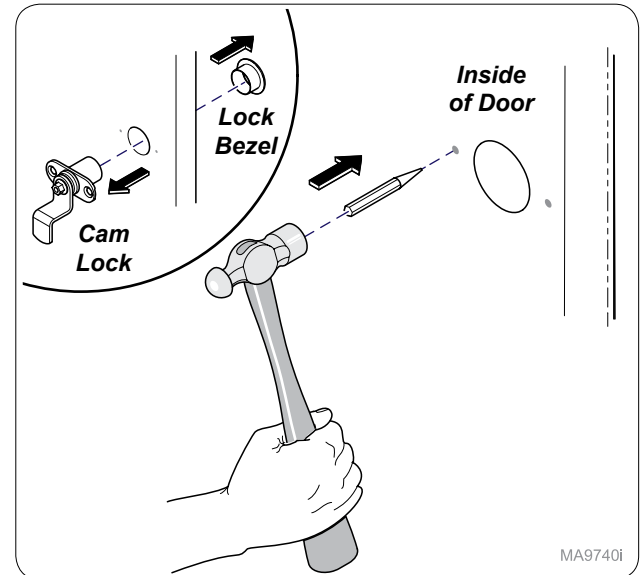
(A) Door Length	(B) Lock Location	Handle
49-3/8" (125.4 cm)	1-3/4" (4.4 cm)	All
37-3/8" (172.1 cm)	1-3/4" (4.4 cm)	Integrated
37-3/8" (172.1 cm)	2-1/2" (6.4 cm)	Attached



**Step 2:**  
Drill 3/4" hole through front of door.

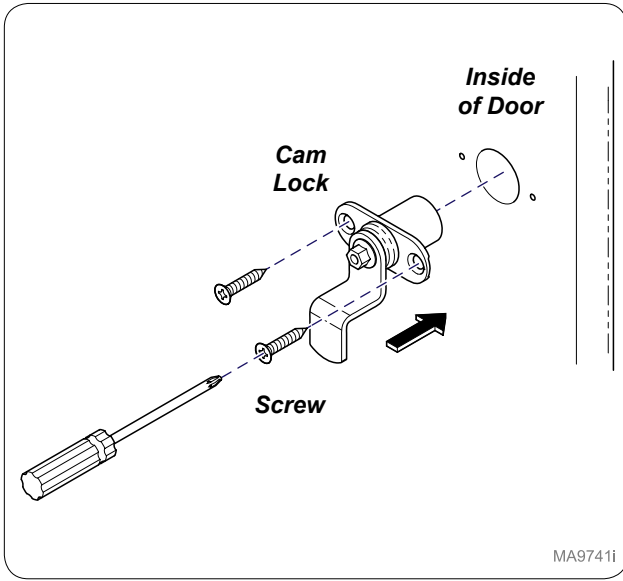


**Step 3:**  
Insert cam lock and lock bezel into drilled hole and mark mounting holes as shown.

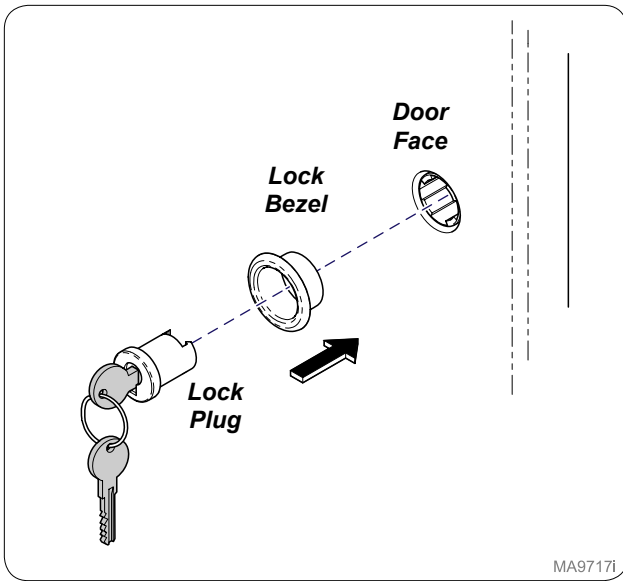


**Step 4:**  
Remove cam lock and lock bezel and use hole punch and hammer to start mounting holes.

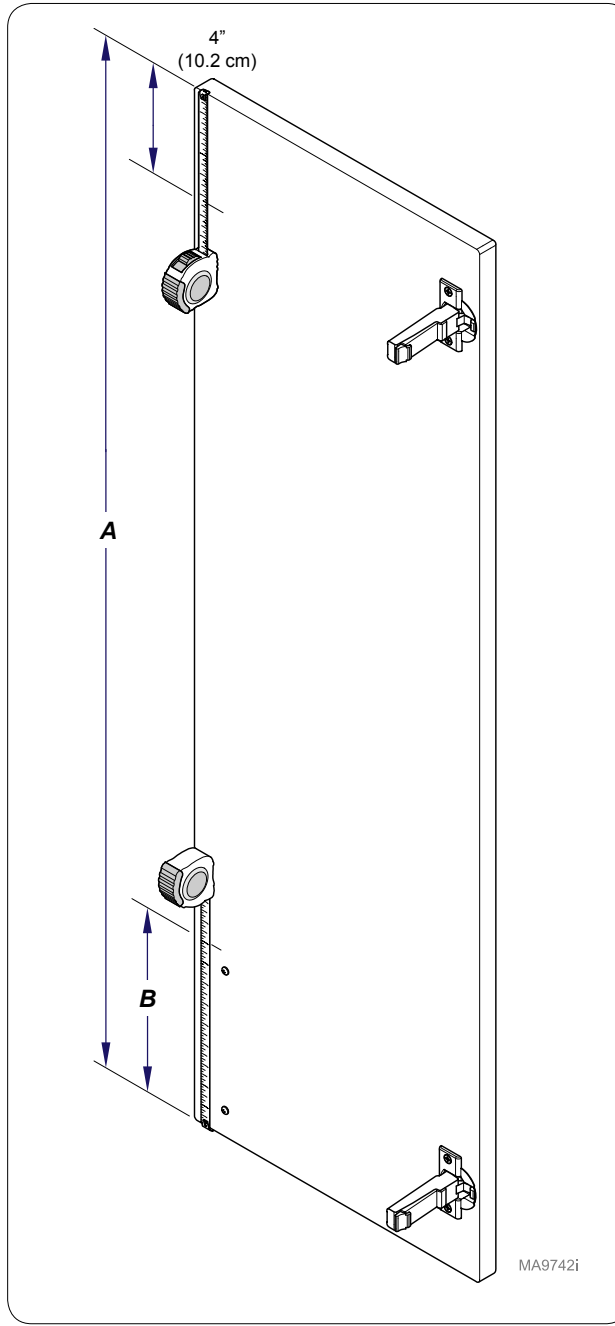
**Step 1: Attached Handle (shown)**  
Measure up from bottom of door 1-3/8" (3.5 cm) and mark door. Use chart to measure from edge of door in and mark door.  
**Note: May need to remove handle to make measurements.**



**Step 5:**  
Install cam lock into inside of door and secure with screws (x2).

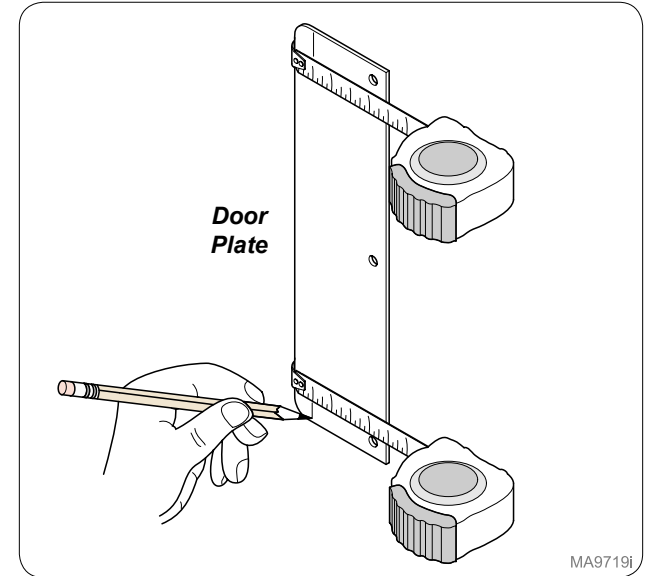


**Step 6:**  
Install lock bezel and lock plug into door face.

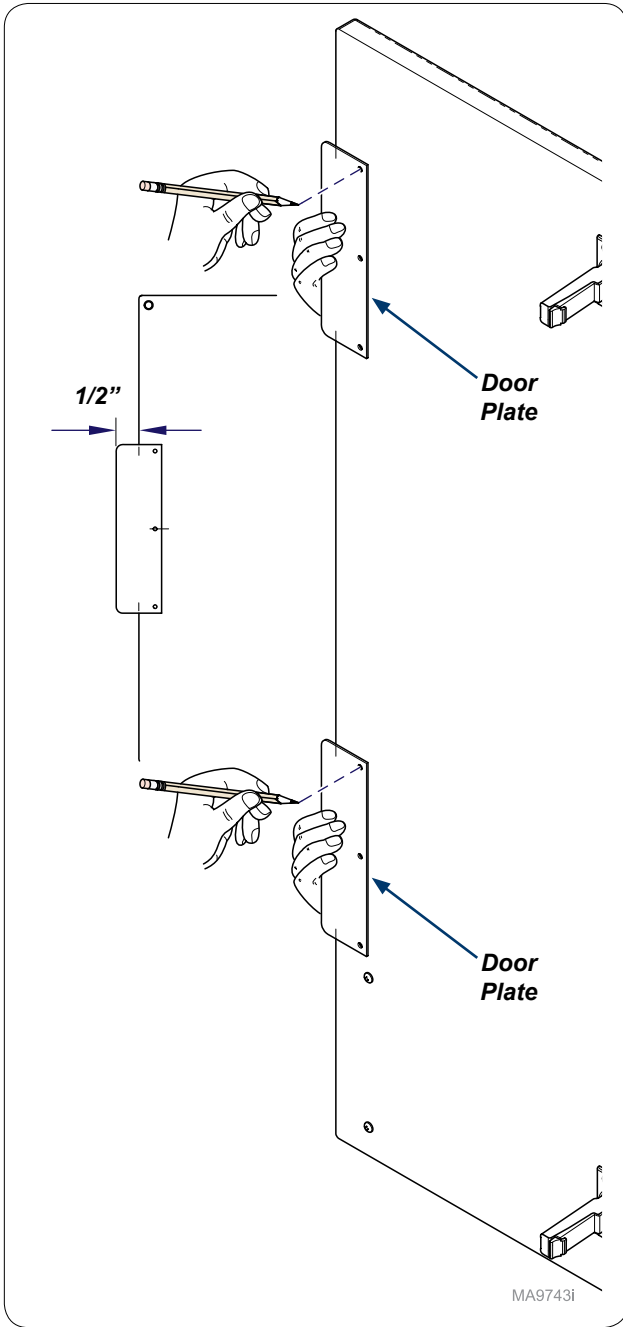


**Step 7: Attached Handle (shown)**  
Measure down from top of door 4" (10.2 cm) and mark for top edge of door plate. Use chart to measure from bottom of door up and mark door.

(A) Door Length	(B) Door Plate	Handle
49-3/8" (125.4 cm)	16-5/8" (42.2 cm)	Integrated
37-3/8" (172.1 cm)	10-1/4" (26 cm)	Integrated
49-3/8" (125.4 cm)	12-3/4" (32.4 cm)	Attached
37-3/8" (172.1 cm)	6-3/4" (17.1 cm)	Attached

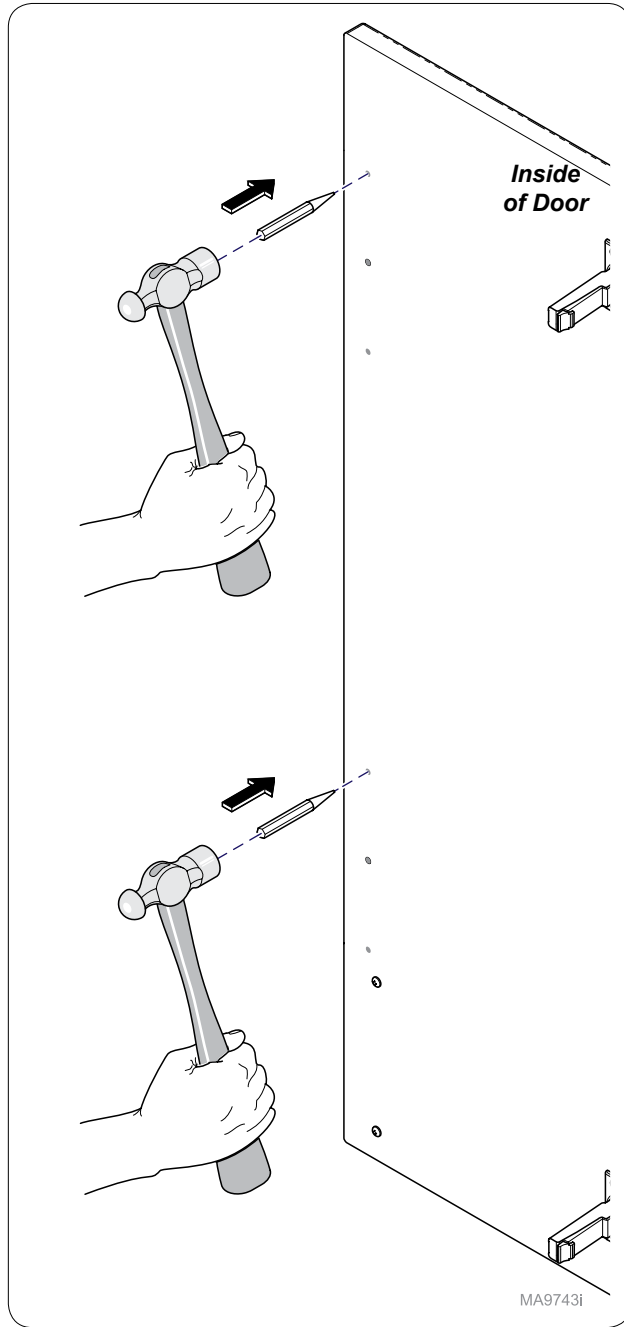


**Step 8:**  
On door plate measure and mark 1/2".



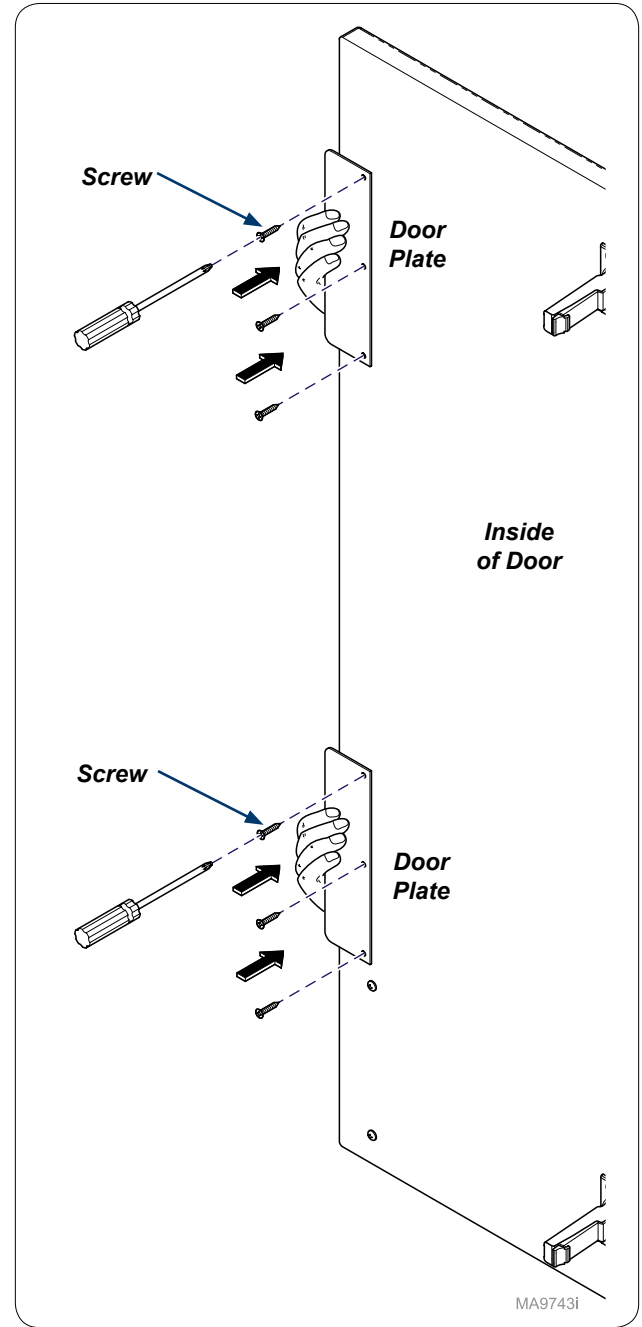
MA9743i

**Step 9:**  
Using mark on door plate and mark on door, place door plate on inside of door and mark hole locations.



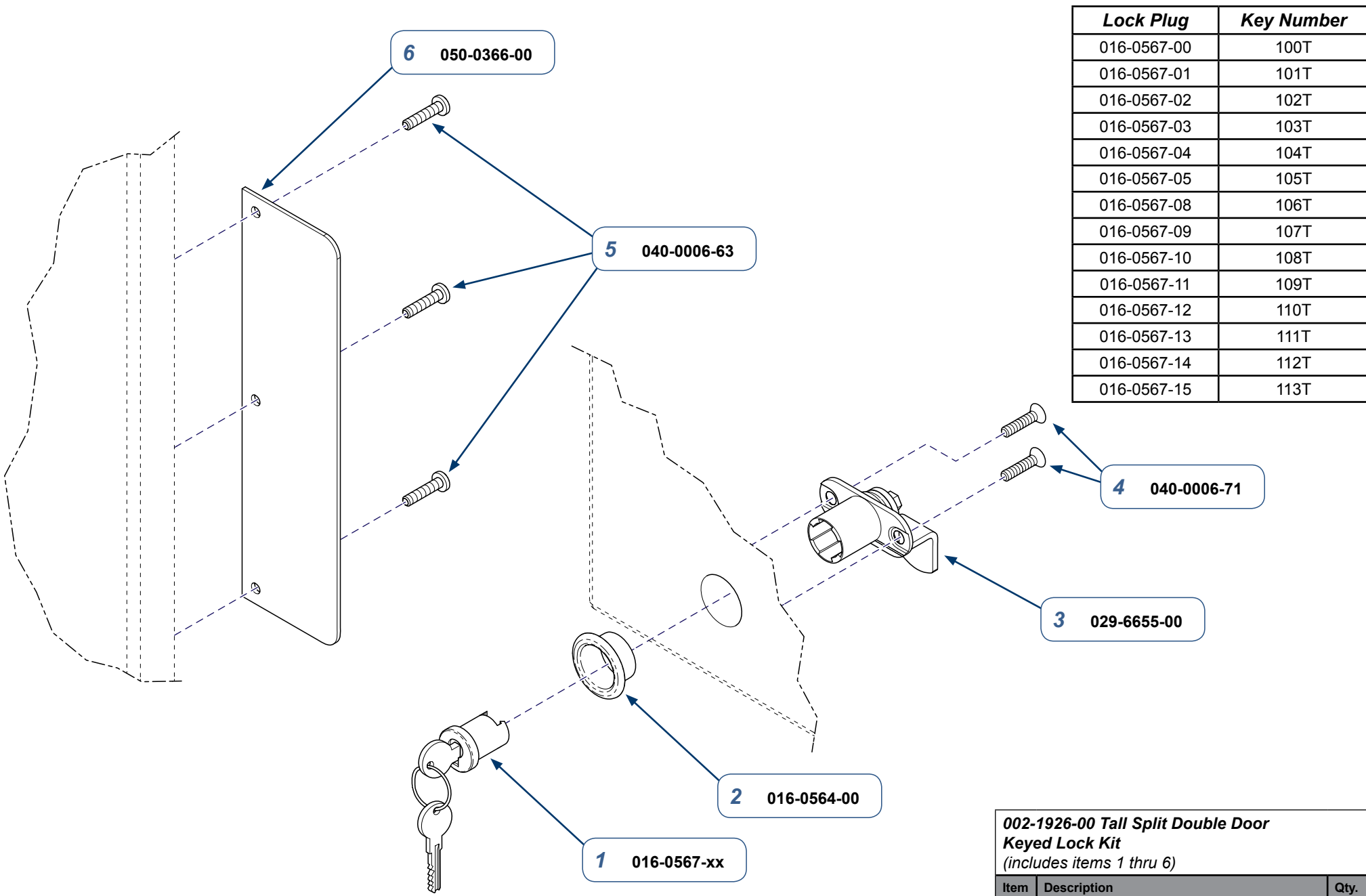
MA9743i

**Step 10:**  
Use hole punch and hammer to start mounting holes.



MA9743i

**Step 11:**  
Install door plates (2) onto inside of door and secure with screws (6).



Lock Plug	Key Number
016-0567-00	100T
016-0567-01	101T
016-0567-02	102T
016-0567-03	103T
016-0567-04	104T
016-0567-05	105T
016-0567-08	106T
016-0567-09	107T
016-0567-10	108T
016-0567-11	109T
016-0567-12	110T
016-0567-13	111T
016-0567-14	112T
016-0567-15	113T

**002-1926-00 Tall Split Double Door Keyed Lock Kit**  
(includes items 1 thru 6)

Item	Description	Qty.
1	• Lock Plug (See Chart)	1
2	• Lock Bezel	1
3	• Cam Lock	1
4	• Flat Head Screw (#6 x 5/8")	2
5	• Pan Head Screw (#6 x 5/8")	6
6	• Door Plate	2

**Serial Numbers / Dates:** all

MA9751i