

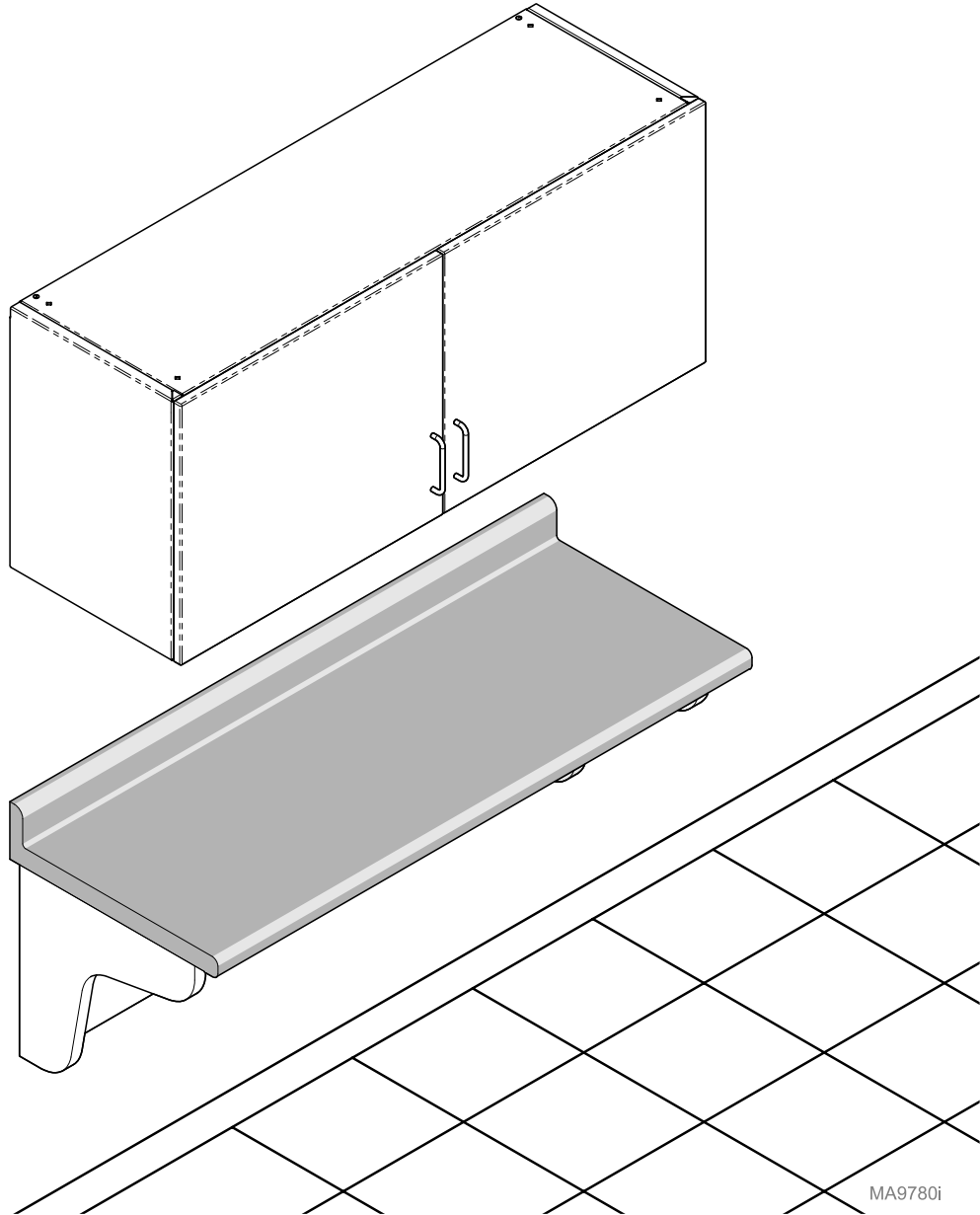


Adjustable Countertop Installation

Applies to Models:
A1, A2, A3, A4, A5, & A6

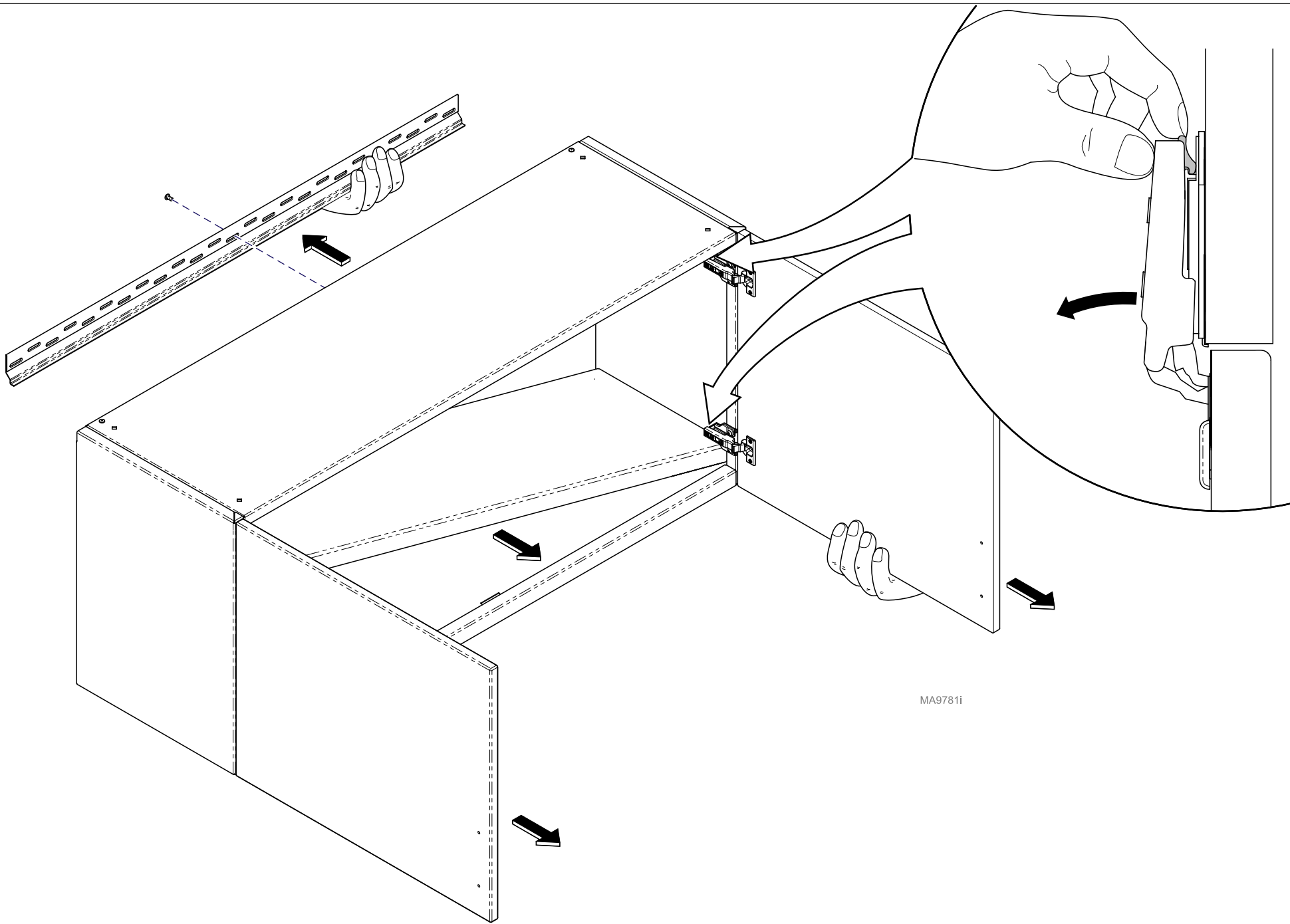
Required Tools:
Stud Finder, Level
1/4" deep well socket,
Screwdrivers, Tape Measure,
Drill and Drill Bits

Language of origin: English



MA9780i

TP200 Rev. A



MA97811

Step 1:
Remove hanging bracket, doors and shelves
(if applicable) for easier installation.

Wall Layout Preparation for Adjustable Countertop

Max [SUGGESTED]
80"
(203.2 cm)

24"
(60.9 cm)

18" or 20"
[SUGGESTED]
(45.7 cm or 50.8 cm)

3-1/4" (8.3 cm)

34" or 36"
[SUGGESTED]
(86.4 cm or 94.1 cm)

COUNTERTOP

FLOOR

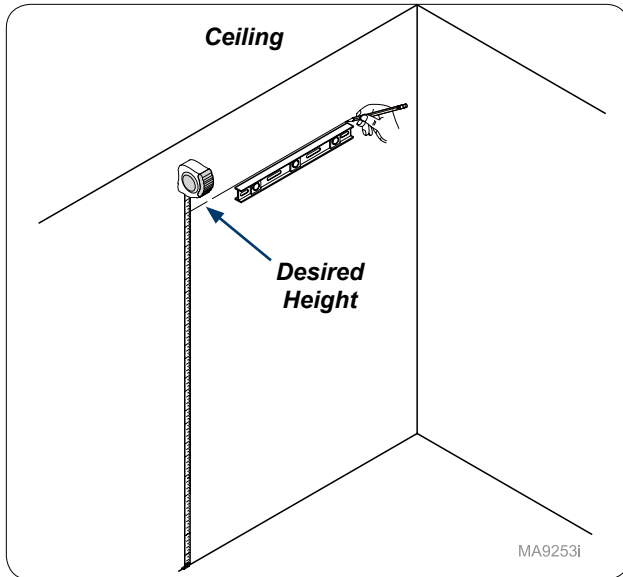


Caution
Recommended: A minimum
of 2 x 12 backing prior to
installation of drywall.

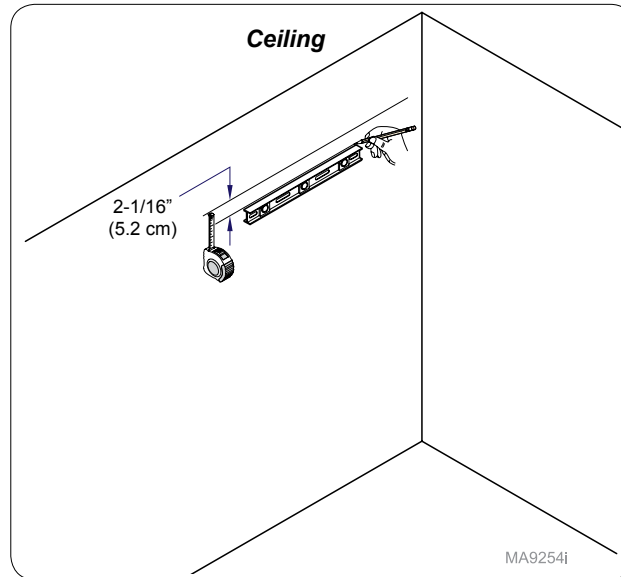
Step 2:
Determine desired height of installation
for overhead cabinet.

MA97821

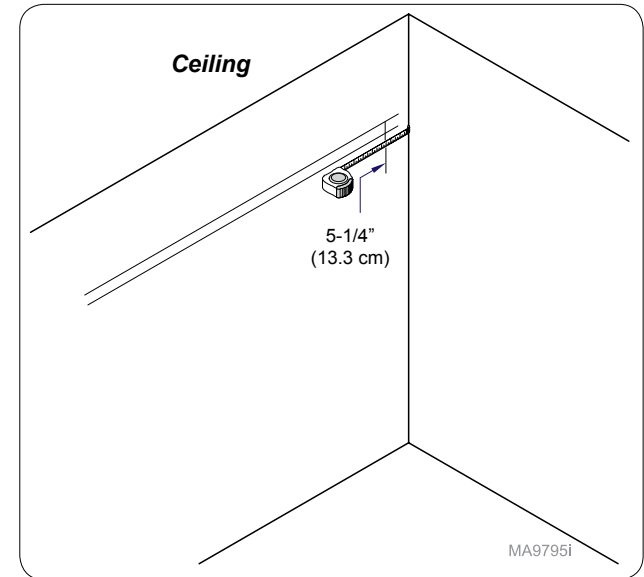
Overhead Installation



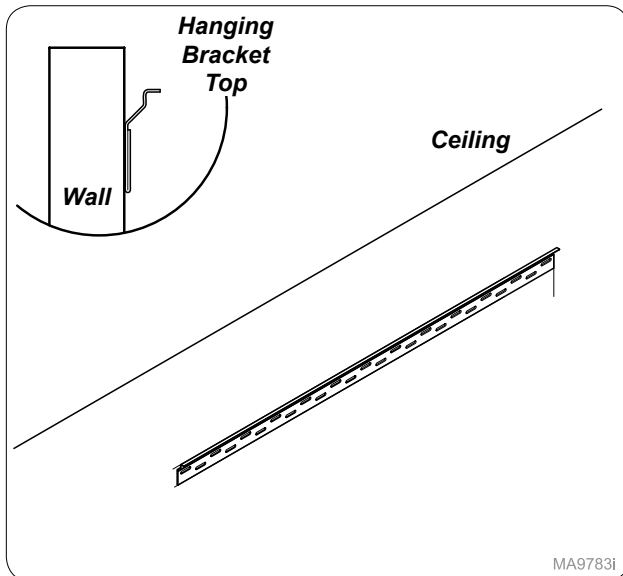
Step 3:
Measure up to mark desired height of overhead cabinet. Use level to extend line. **Note: See previous page for desired height recommendations.**



Step 4:
Measure 2-1/16" (5.2 cm) lower than the desired height of cabinet top and mark for bottom of hanging bracket. Extend line using level.



Corner installation (If applicable)
Measure 5-1/4" (13.3 cm) from corner of wall and mark for the start of hanging bracket. **Note: Recommended minimum distance from the wall.**



Step 5:
Mount hanging bracket to wall using hardware (not supplied).

Attention:

Local, city, or national building codes should be followed before using midmark suggested fasteners for installation.

Note: Suggested Fasteners

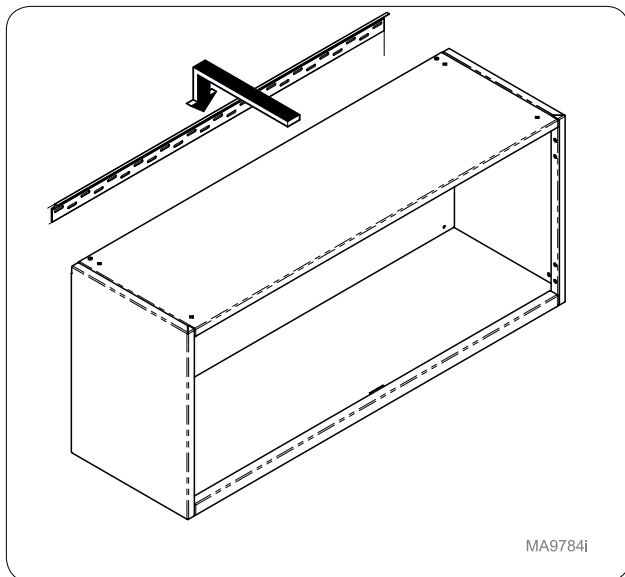
- Stud walls (standard): #10 x 2 wood screws (coarse threaded).
- Steel studded walls: sheet metal #10 fine screws.
- Hollow type or masonry walls: #10 machine screw expansion anchors of adequate length. A 3/16" short molly or other type of fastener may be used if pre-drilled.
- Rough solid concrete or brick wall: #10 round head wood screw or a specialized masonry fastener.



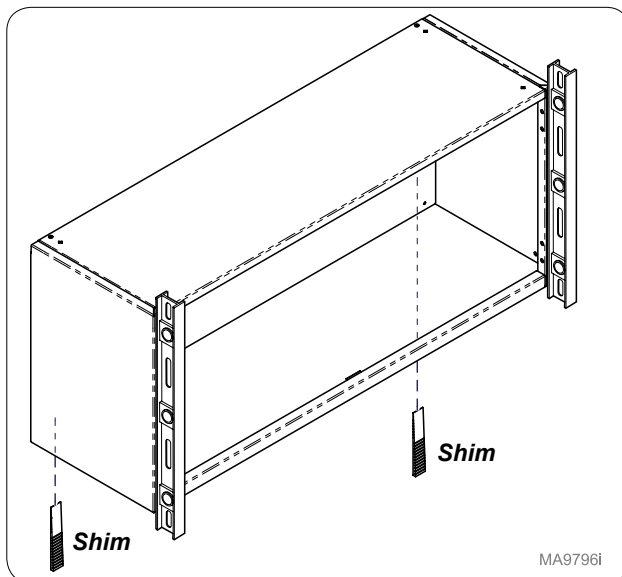
Caution

Installer must secure bracket to at least one stud and use wall anchors on any screws that cannot be secured to studs.

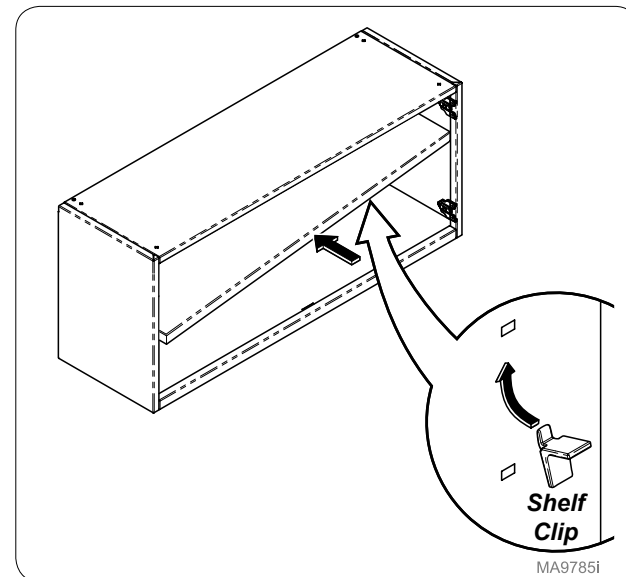
Overhead Installation



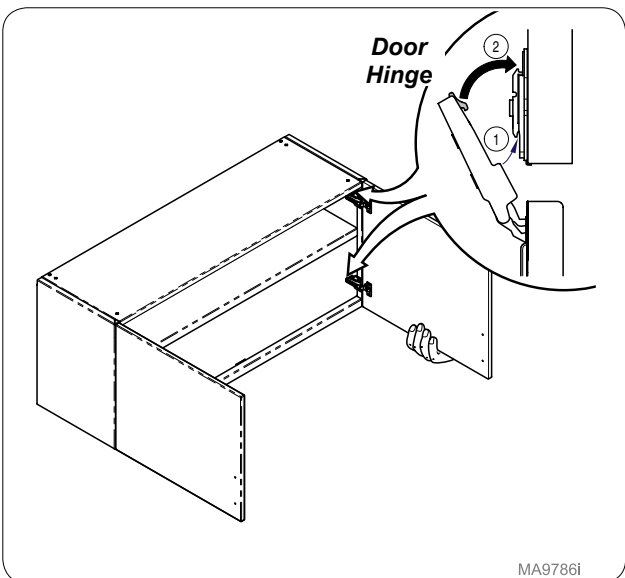
Step 6:
Place overhead unit onto hanging bracket. Adjust and level to desired position.



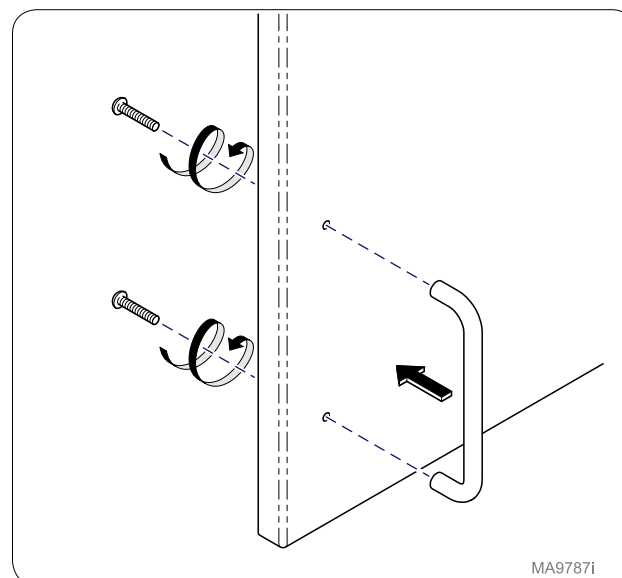
Leveling overhead: (If applicable)
Level bottom of overhead with shims and double sided tape (not supplied).



Step 7:
Tilt shelf to fit into cabinet as shown. Install shelf clips and place shelf on top of clips.

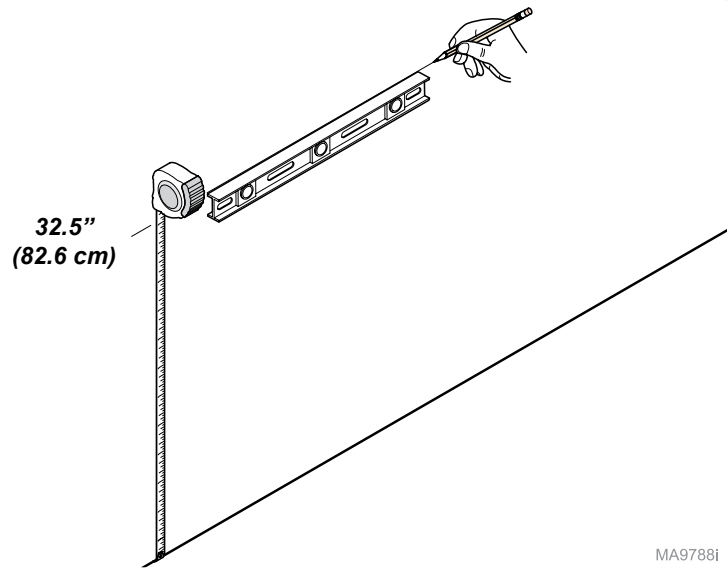


Step 8:
Reinstall all cabinet doors. **Note: If sloping tops are specified, install them before any base units.**



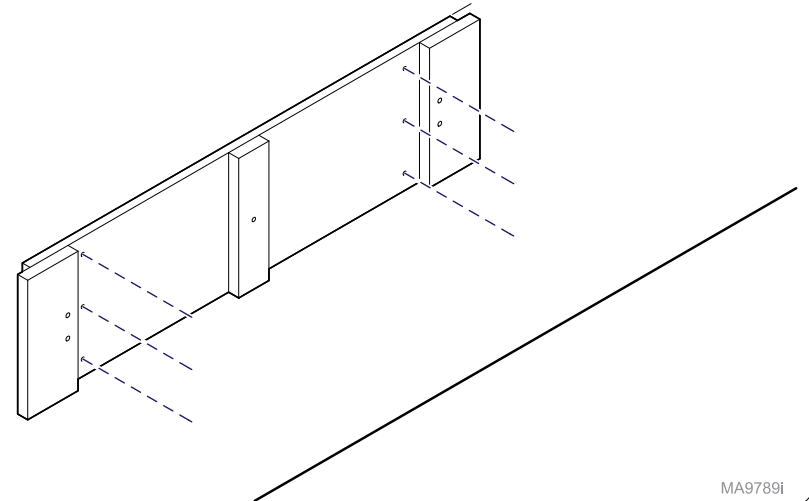
Installing Handles (If applicable)
Install door handle using hardware supplied.

Adjustable Countertop Installation



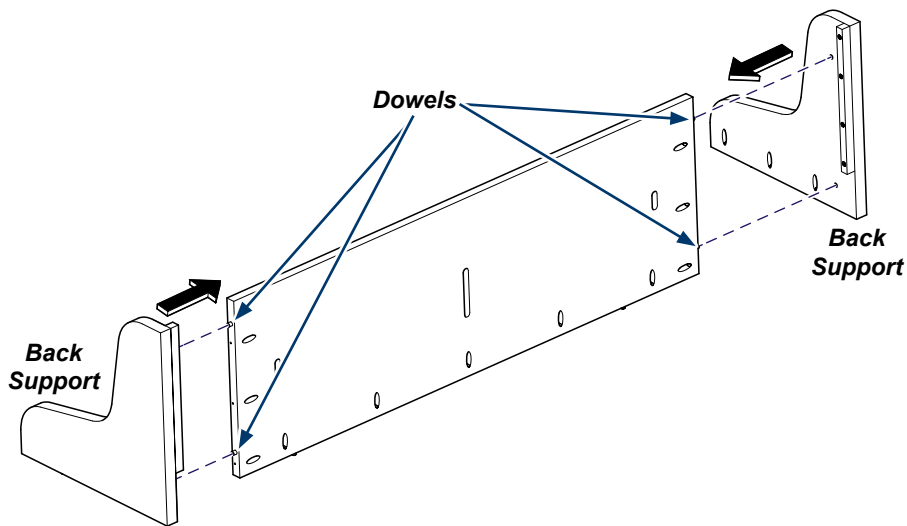
MA9788i

Step 1:
Measure from floor up 32.5" (82.6 cm) and mark wall extend line with level.



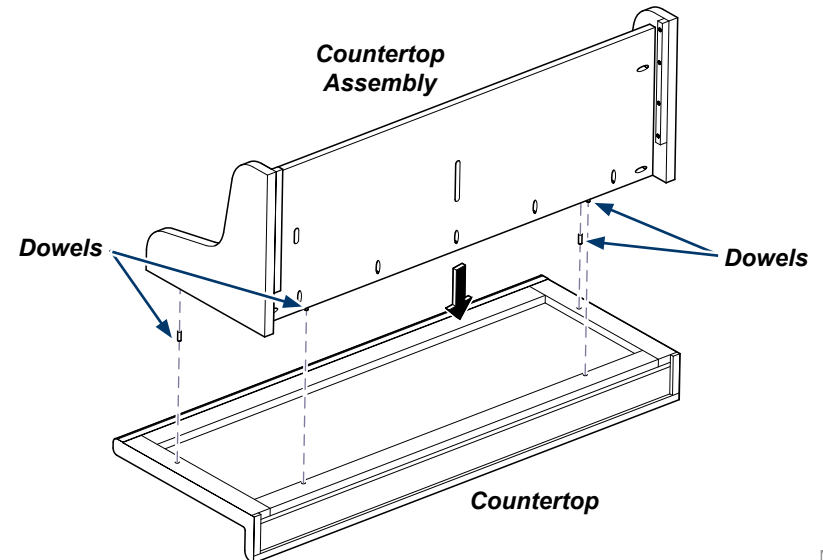
MA9789i

Step 2:
Line up top of hanging board with mark on wall and secure with hardware (not supplied). **Note: Installer must hit stud or backer with row of screws with backup washer in board.**



MA9790i

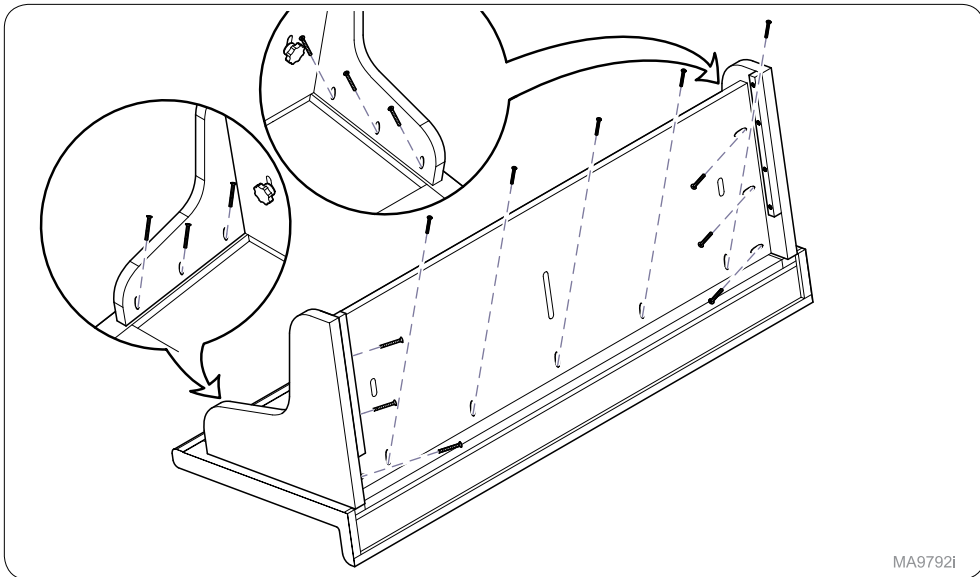
Step 3:
Assemble adjustable countertop braces by lining up and pushing the dowels into back support panel holes.



MA9791i

Step 4:
Install dowel pins into countertop assembly. Align countertop assembly dowels with dowel holes in countertop and push together.

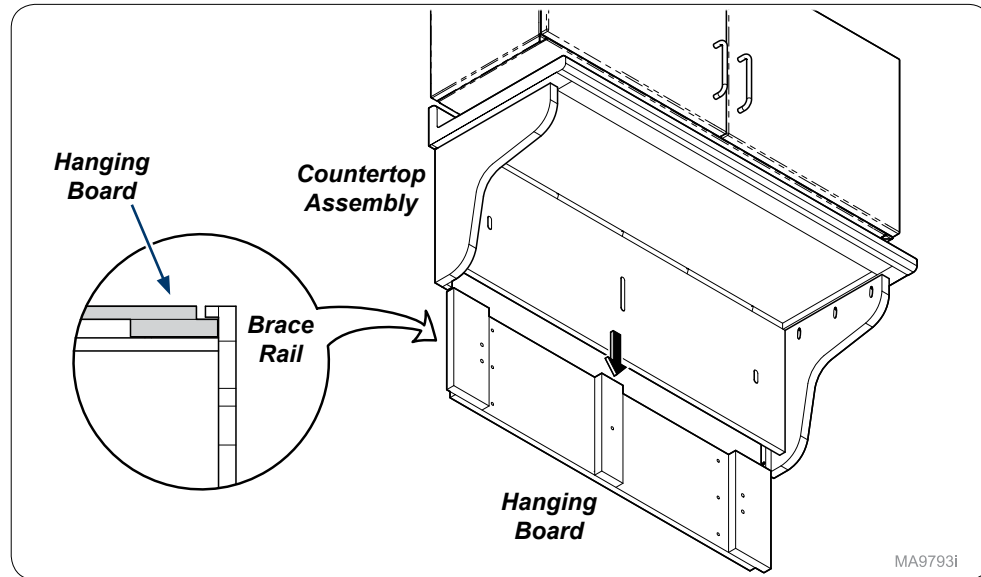
Adjustable Countertop Installation



MA9792i

Step 5:

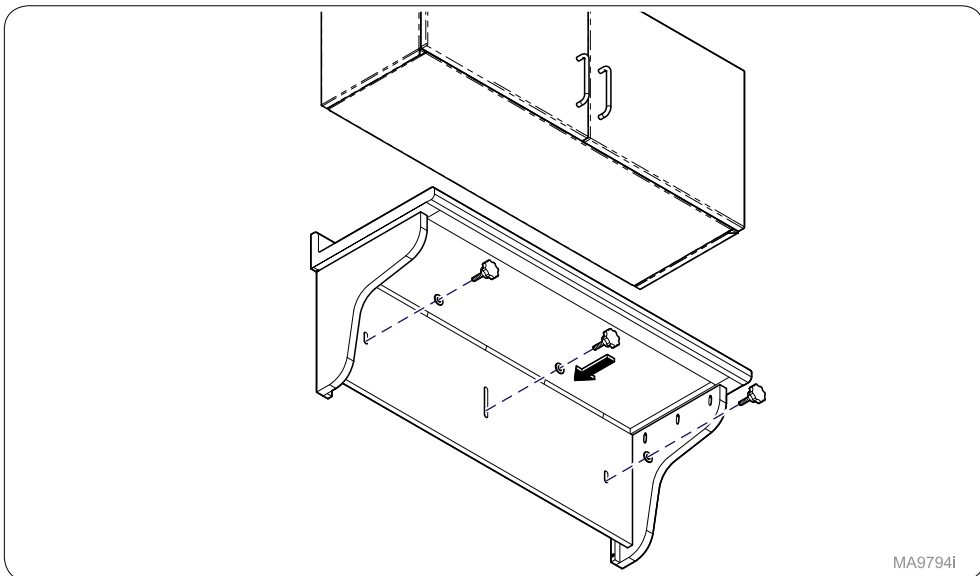
Attach assemblies with #8 x 1-1/2" drywall screws provided.



MA9793i

Step 6:

Slide countertop assembly over wall hanger board making sure brace rails are behind hanging board.

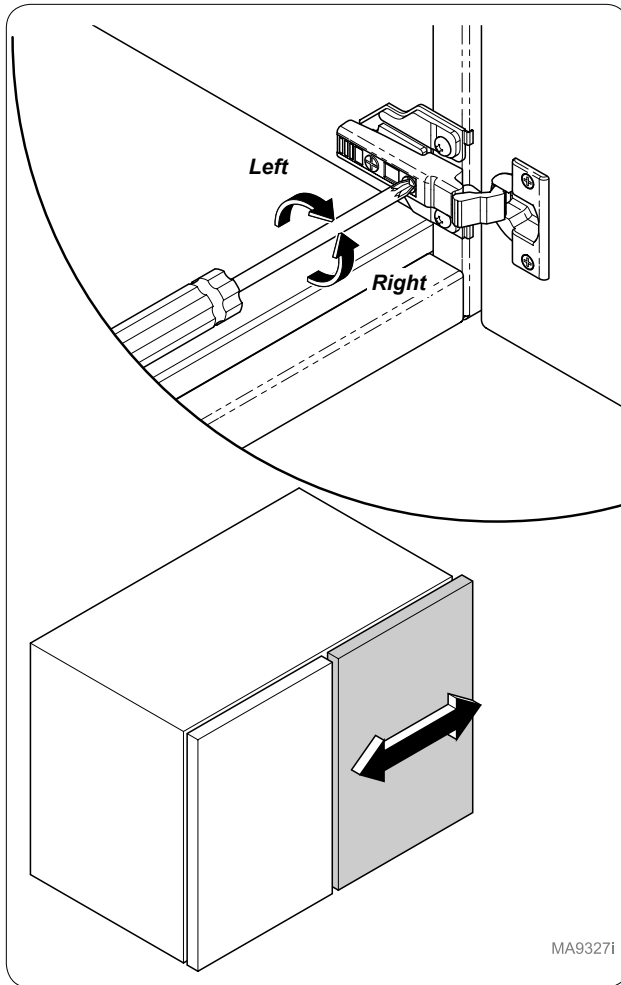


MA9794i

Step 7:

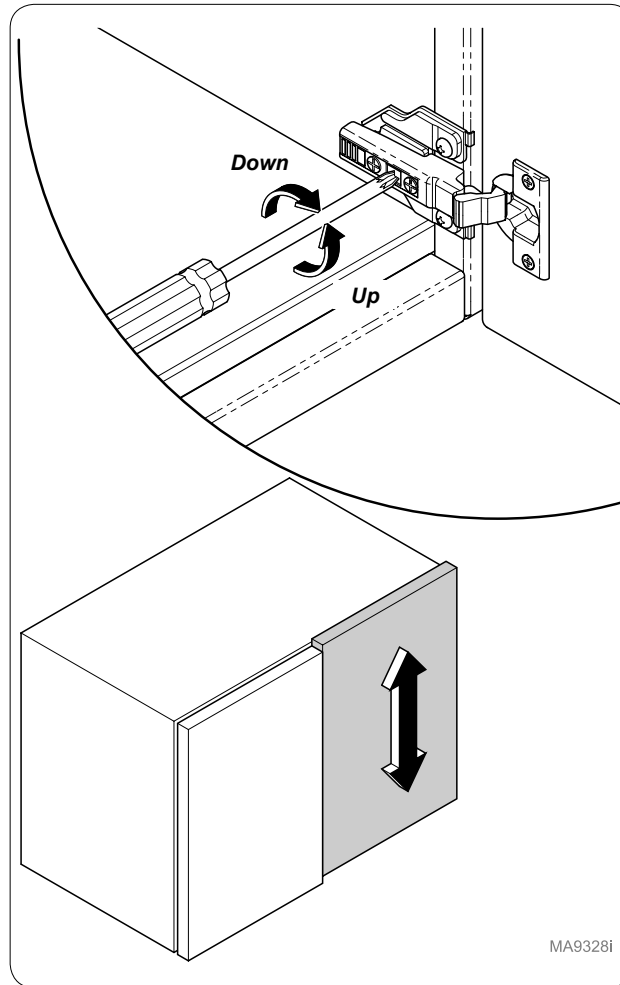
Secure countertop with washer (x3) and plastic knob assembly (x3) to desired position.

Door Adjustment



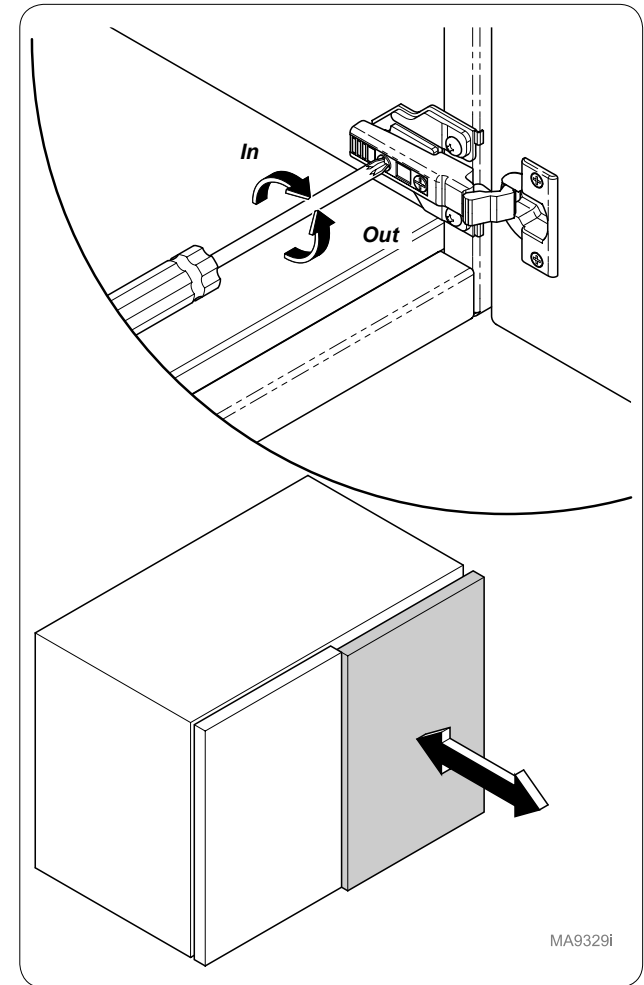
Door Adjustment Side to Side

Turn screw located closest to door to increase or decrease the door overlay side to side (+ or - 2 mm).



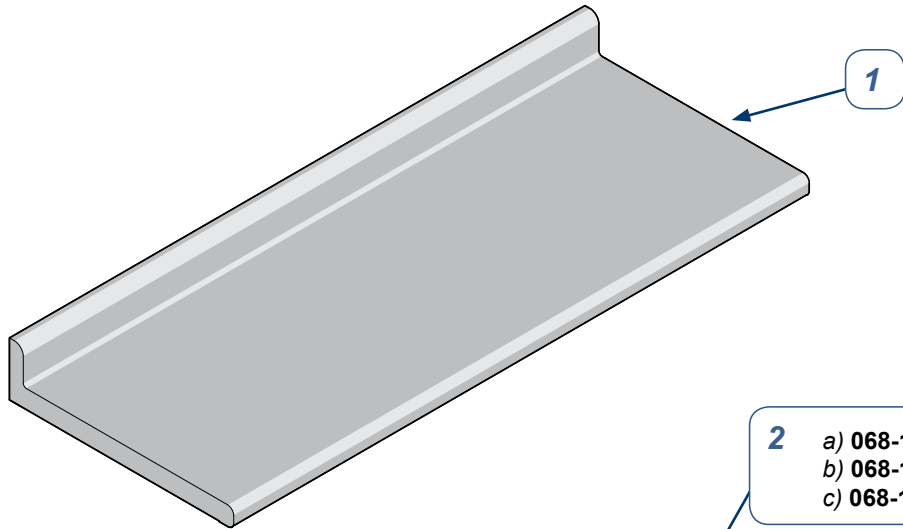
Door Adjustment Up and Down

Turn cam screw located in center of mounting plate to adjust door position up or down (+ or - 2 mm).



Door Adjustment Away or Closer

Turn Spiral Tech cam screw located furthest from door to position the door farther from or closer to cabinet (+3 mm or -2 mm).



a) 068-1223-00
b) 068-1223-01
c) 068-1223-02

3

2 a) 068-1222-00
b) 068-1222-01
c) 068-1222-02

4

6

7 040-0008-53

042-0636-00

4

8 016-0891-00

045-0001-81

9

5

MA9800i

Adjustable Countertop Assembly
(includes items 1 thru 9)

Item	Description	Qty.
1	• Countertop (configured)	1
2	• Back Support Panel a) 24" b) 36" c) 48"	1
3	• Wall Mounting Bracket a) 24" b) 36" c) 48"	1
4	• Dowel	4
5	• Left Countertop Brace (configured)	1
6	• Right Countertop Brace (configured)	1
7	• Screw (#8 x 1-1/2")	AR
8	• Plastic Knob	3
9	• Washer	3

Serial Numbers / Dates:

all