



# Base Cabinet Drawer Single Keyless Lock Installation [002-1971-xx]

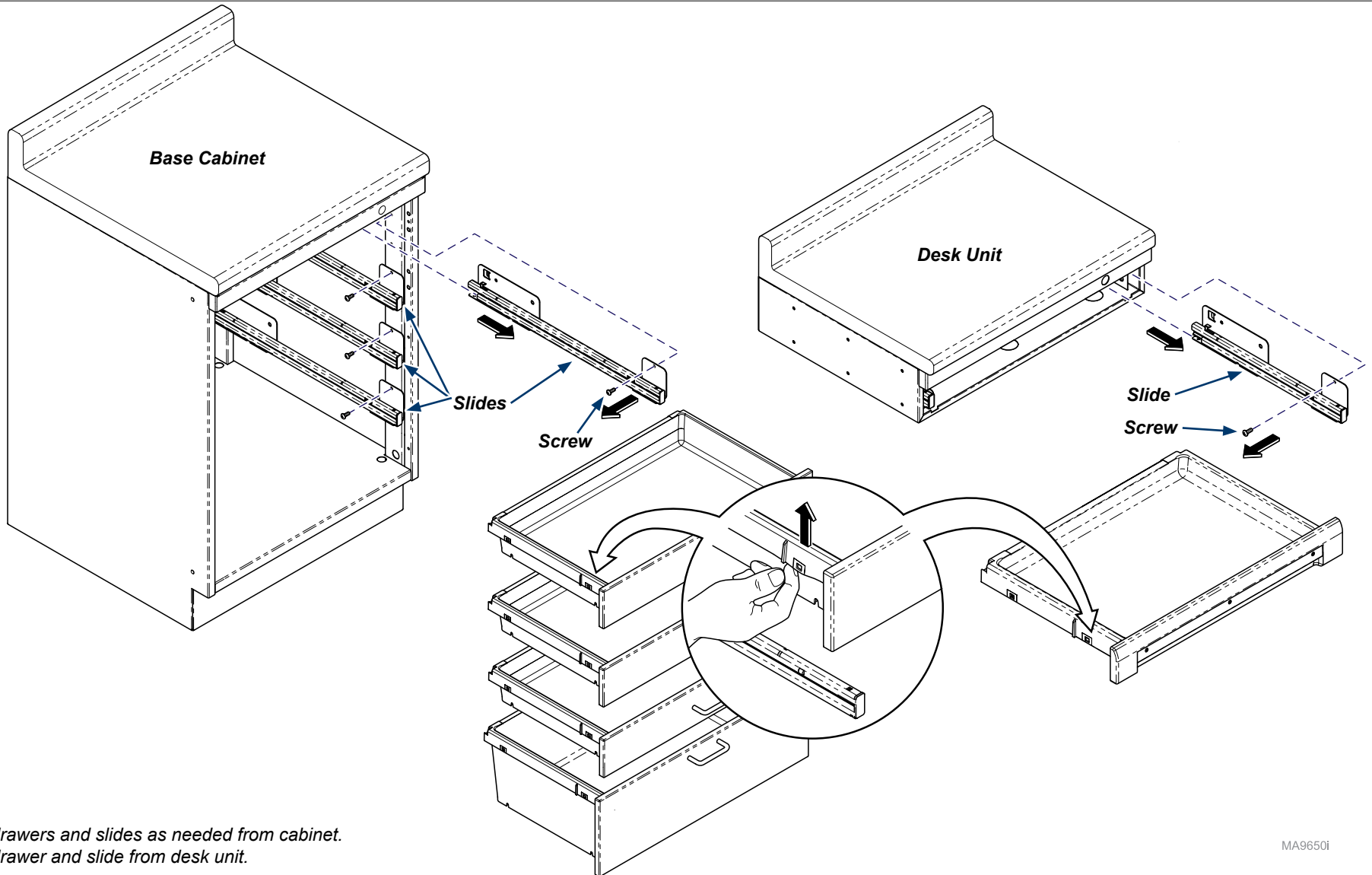
**Contents:**  
Installation ..... 1-4  
Exploded View ..... 5

**Special Tools:**  
none

Language of origin: English

**Note**

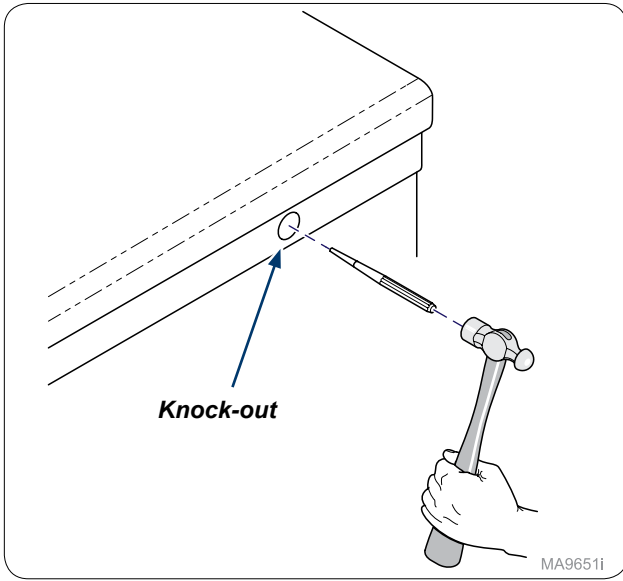
This install can be used for any Base Cabinet Single Drawer Keyless Lock installation. The assembly process will be the same. The Lock Bar will be a different size depending on the number of drawers.



**Step 1:**

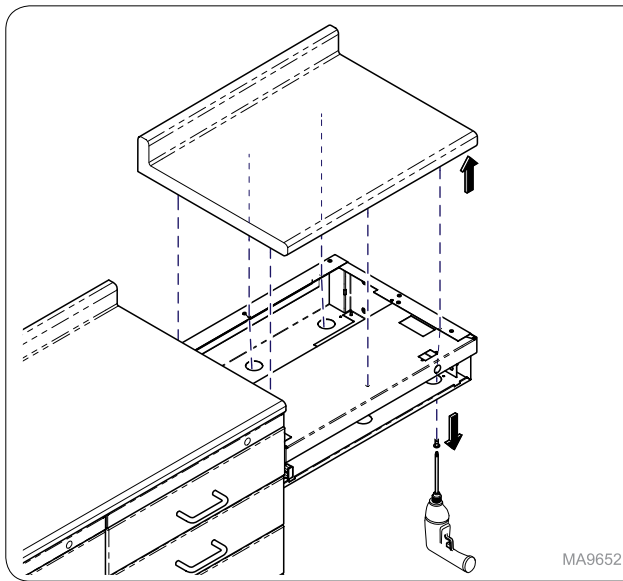
Remove drawers and slides as needed from cabinet.  
Remove drawer and slide from desk unit.

MA9650i



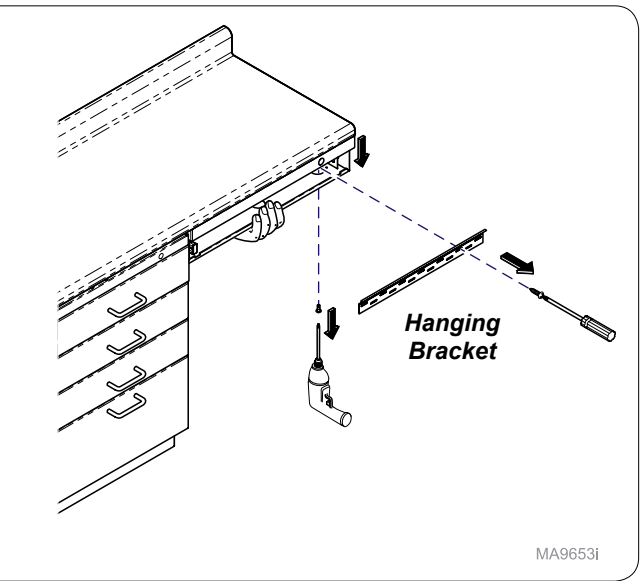
**Step 2:**  
Remove knock-out with a punch.

MA9651i



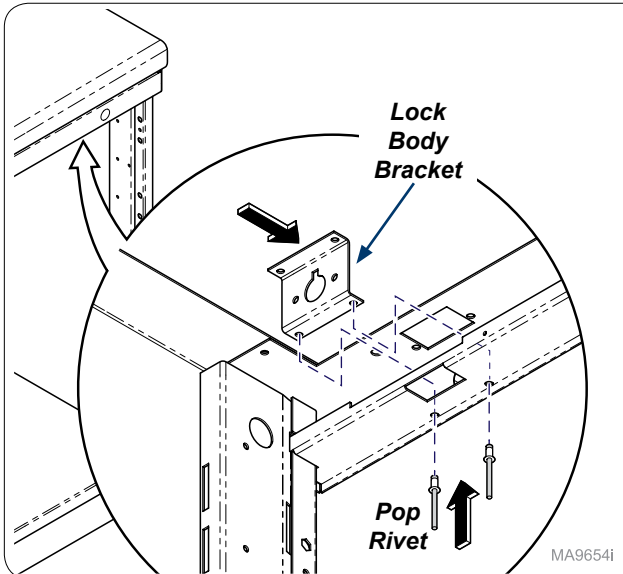
**Step 3: Desk Units (only)**  
Remove screws in countertop and remove from desk unit.  
**Note: Only applies to drop down desk as shown.**

MA9652i



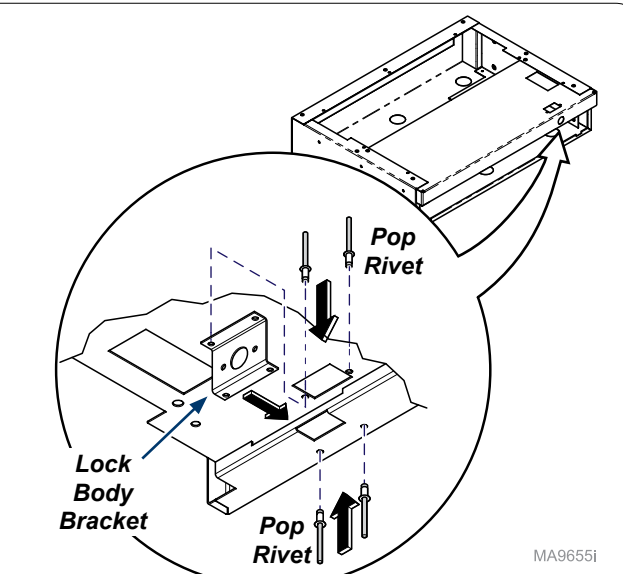
**Step 3: Desk Units (only)**  
Remove screws from countertop, hold desk while removing hanging bracket from wall to remove desk unit.  
**Note: Only applies to desk units in a straight run.**

MA9653i



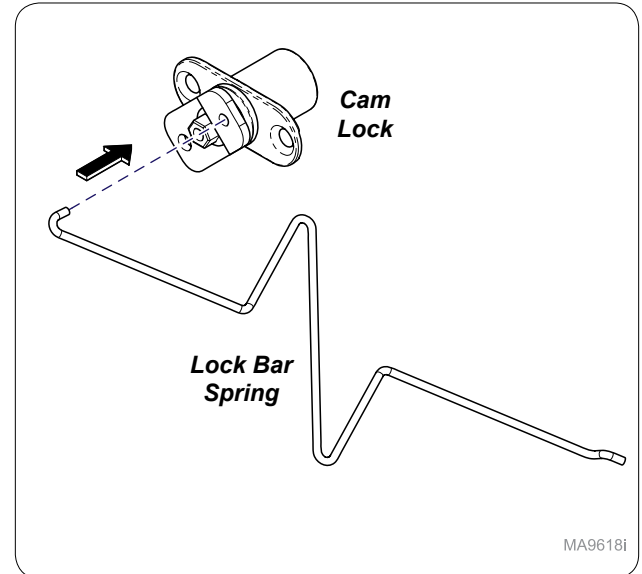
**Step 4: Base Cabinet**  
Install lock body bracket into cabinet with pop rivets.

MA9654i



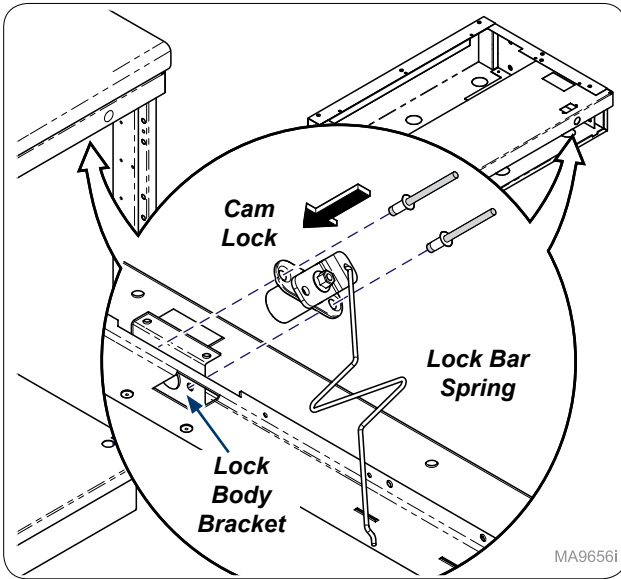
**Step 4: Desk Unit**  
Install lock body bracket into desk unit with pop rivets.

MA9655i

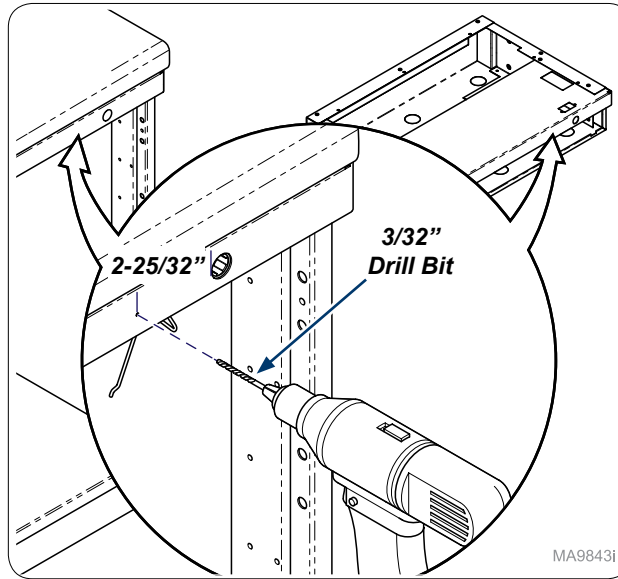


**Step 5:**  
Assemble lock bar spring onto cam lock.

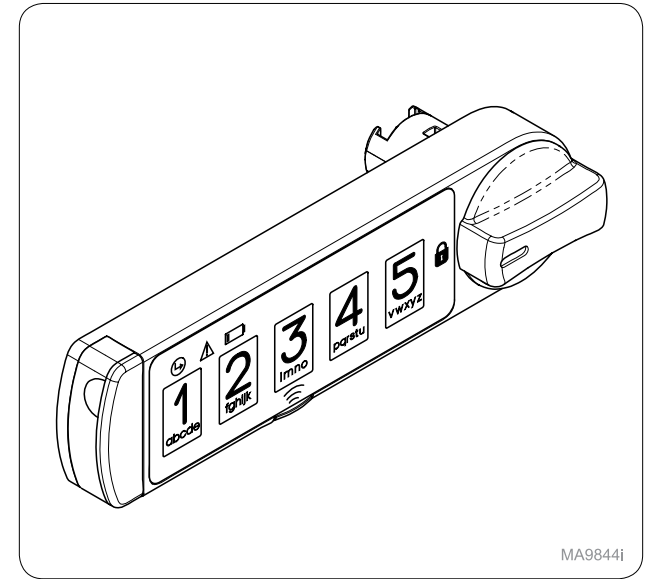
MA9618i



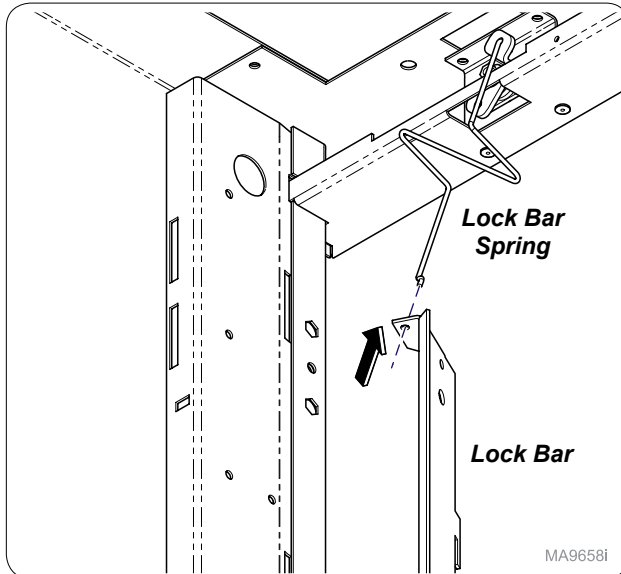
**Step 6:**  
Install cam lock inside cabinet with lock bar spring attached to lock body bracket.



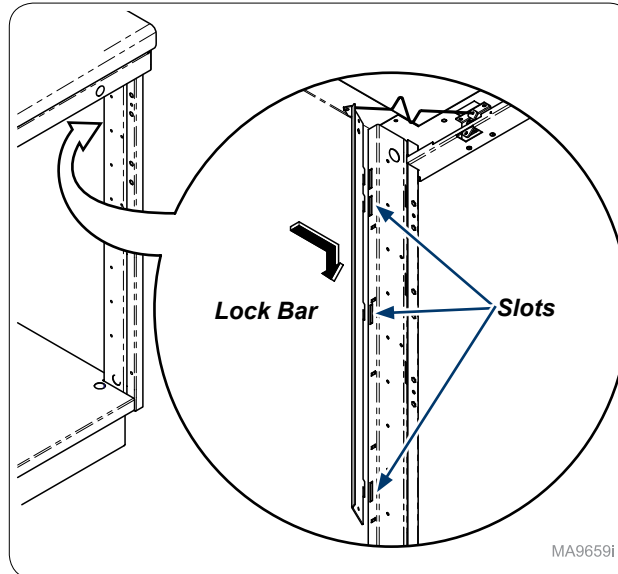
**Step 7:**  
Drill a 3/32" hole, 2-25/32" from edge of the 3/4 lock hole.



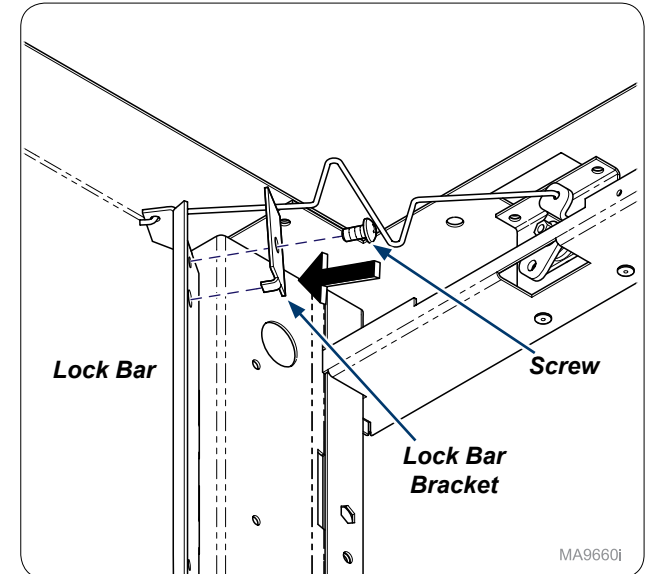
**Step 8:**  
Use manufacturer's instructions to assemble Keyless Lock.  
**Note:** After assembling lock, continue to Step 9 for installation of Lock Bar.



**Step 9: (Base shown)**  
Install lock bar onto lock bar spring.  
**Note:** Desk Unit is same assembly to install shorter lock bar.

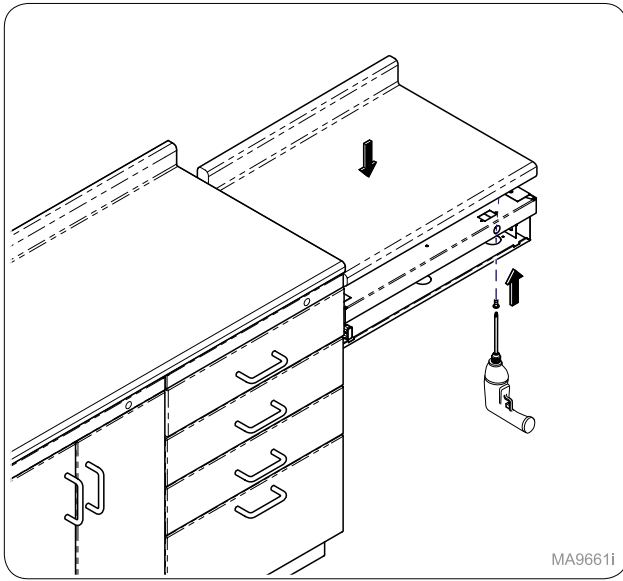


**Step 10: (Base shown)**  
Inside cabinet install lock bar into slots as shown.  
**Note:** Lock bars will vary but assembly process is the same.



**Step 11:**  
Secure lock bar bracket onto lock bar with screw provided.

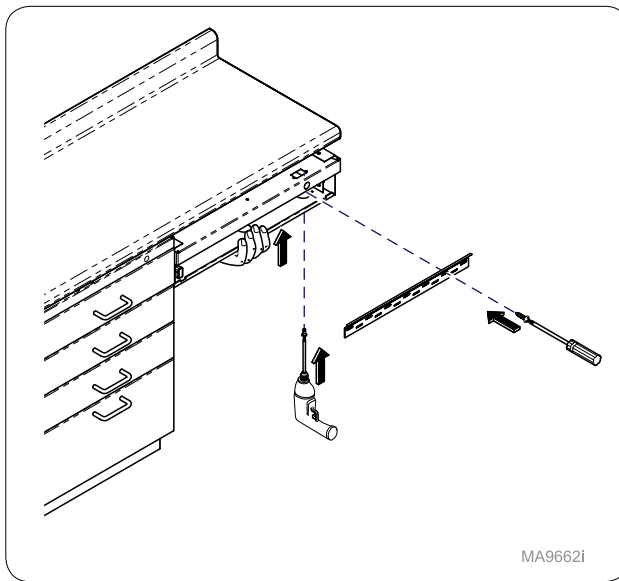
TP200 Rev. A



MA9661i

**Step 12: Desk Units (only)**

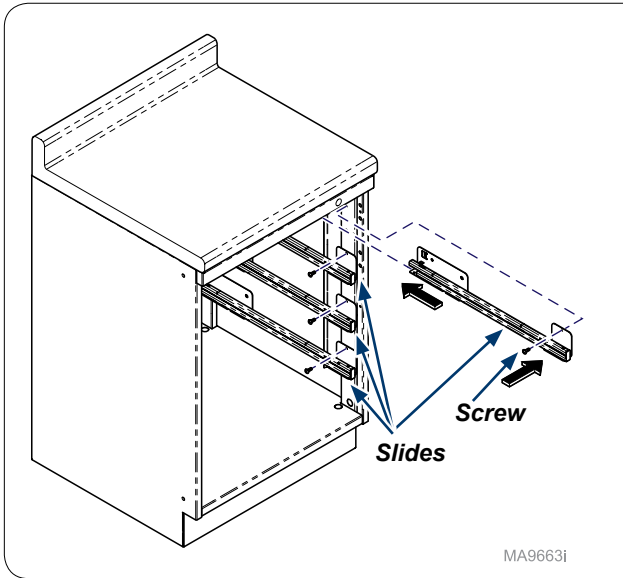
Install countertop to desk unit with screws.  
 Note: **Only applies to drop down desk as shown.**



MA9662i

**Step 13: Desk Units (only)**

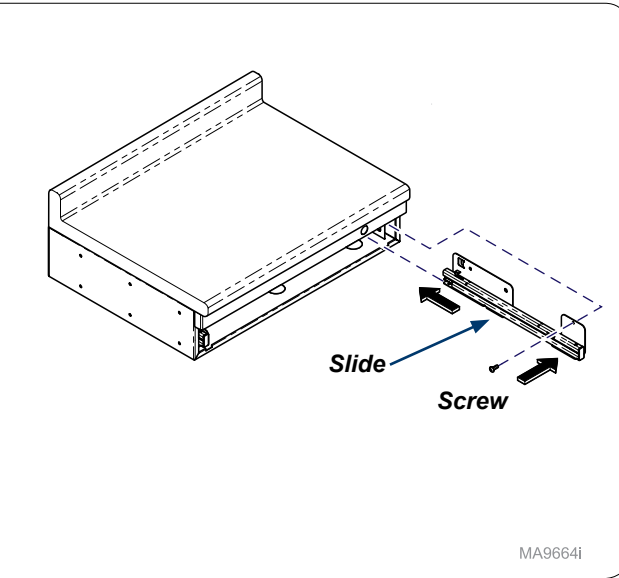
Install desk unit to countertop with screws and secure to wall with hanging bracket.  
 Note: **Only applies to the desk as shown.**



MA9663i

**Step 14:**

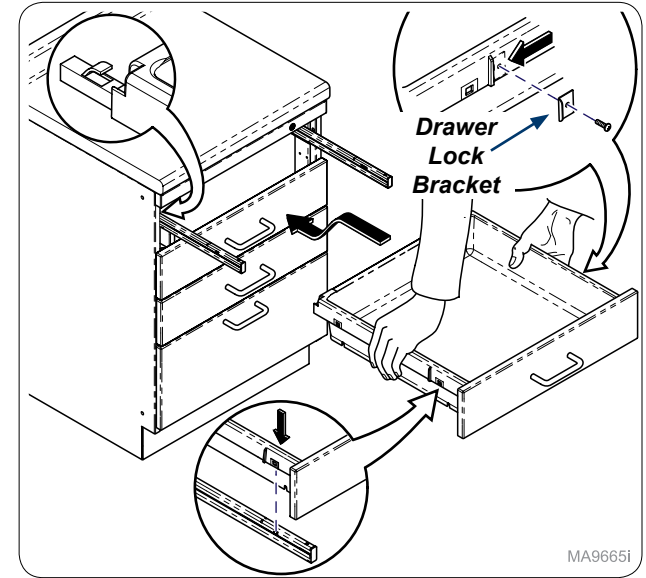
Re-install slides (4) with screws (4).



MA9664i

**Step 14:**

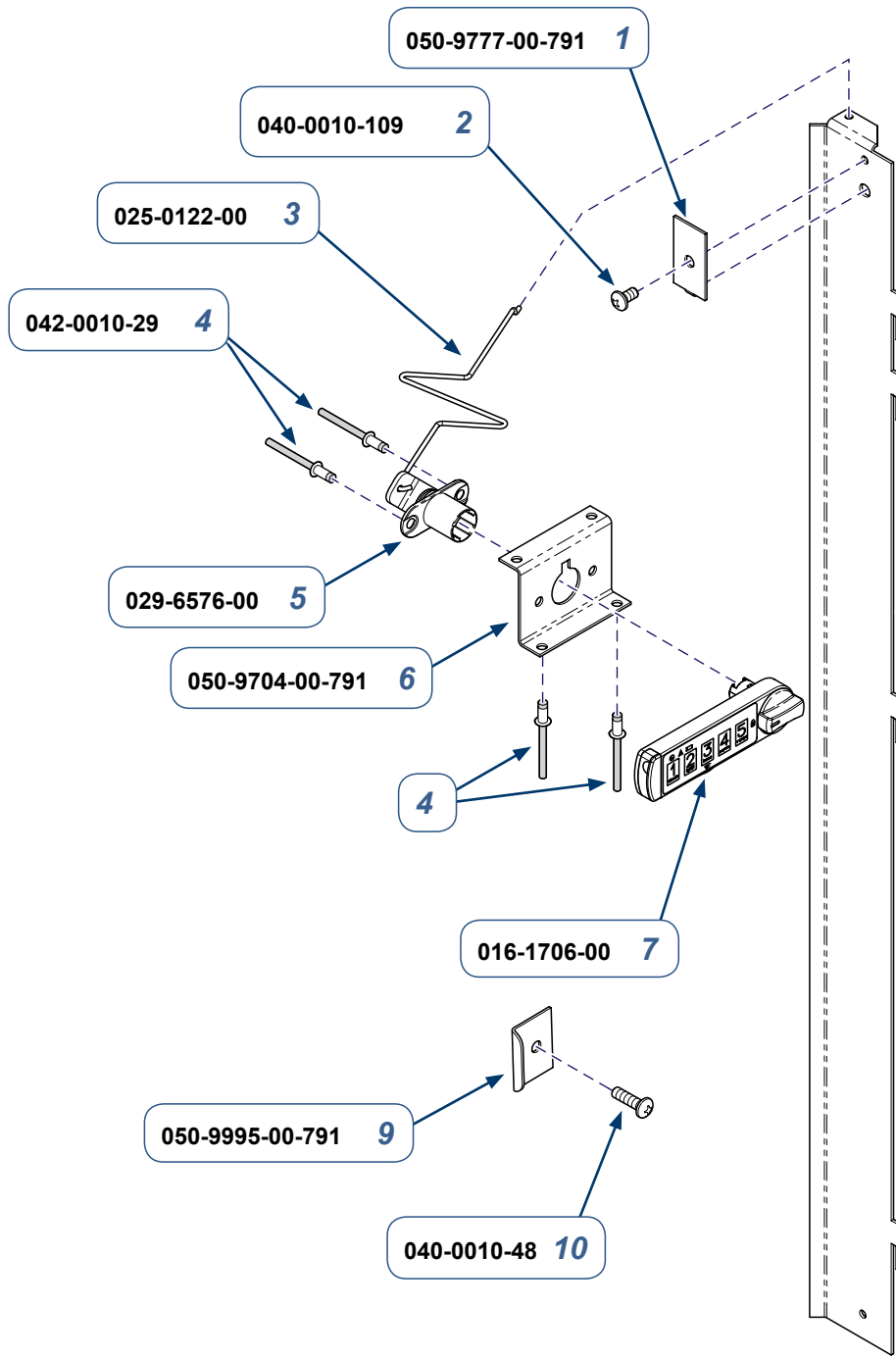
Re-install slide (1) with screw (1).



MA9665i

**Step 15:**

Install drawer lock bracket(s) onto drawer with provided screw(s). Re-install drawers and test lock. **Note: Numbers of bracket(s) and screw(s) will vary with number of drawers.**



<b>Lock Kit</b>	<b>Used on:</b>
002-1971-00	Desk Unit
002-1971-01	Base & Mobile: 2 - 2" / 1 - 4" Drawers
002-1971-02	Base & Mobile: 4 - 2" / 2 - 4" Drawers
002-1971-03	36" Base & 33" Mobile: All Drawers
002-1971-04	34" Base & 31" Mobile: All Drawers
002-1971-05	30" Base & 27" Mobile: All Drawers

- 8**
- a) Desk Unit
  - b) 2-2" or 1-4" Drawer(s)
  - c) 4-2" or 2-4" Drawers
  - d) 36" (Cabinet Height)
  - e) 34" (Cabinet Height)
  - f) 30" (Cabinet Height)

**002-1971-xx Base Cabinet Drawer Single Keyless Lock Kit**  
(includes items 1 thru 10)

Item	Description	Qty.
1	• Lock Bar Bracket	1
2	• Screw (#10 -24 x 3/8")	1
3	• Lock Bar Spring	1
4	• Pop Rivets (0.156" x 0.379")	1
5	• Cam Lock	4
6	• Lock Body Bracket	1
7	• Keyless Lock	1
8	• Lock Bar Contact Technical Service for Part Numbers	1
9	• Drawer Lock Bracket - (1 per Drawer)	AR
10	• Screw (#10 x 5/8") - (1 per Lock Bracket)	AR

**Serial Numbers / Dates:** all

MA9845i