



Base Cabinet Drawer Keyless Double Lock Installation [002-1972-xx]

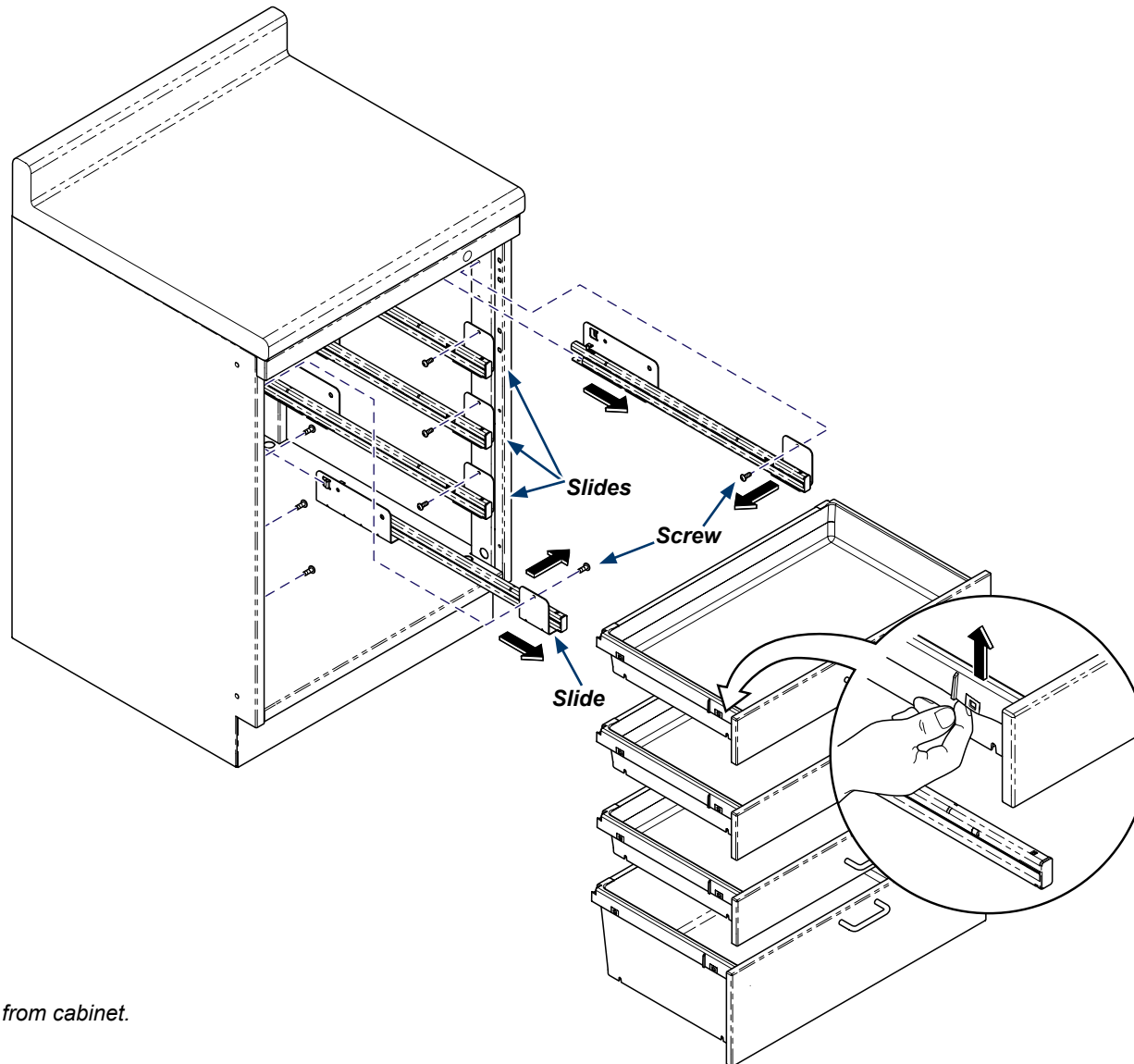
Contents:
Installation 1-4
Exploded View 5

Special Tools:
none

Language of origin: English

Note

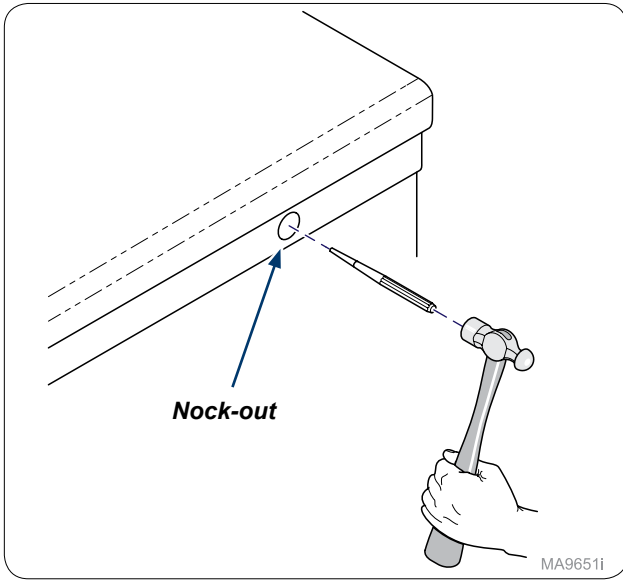
This install can be used for any Base Cabinet Double Drawer Keyed Lock installation. The assembly process will be the same. The Lock Bar will be a different size depending on the number of drawers.



Step 1:

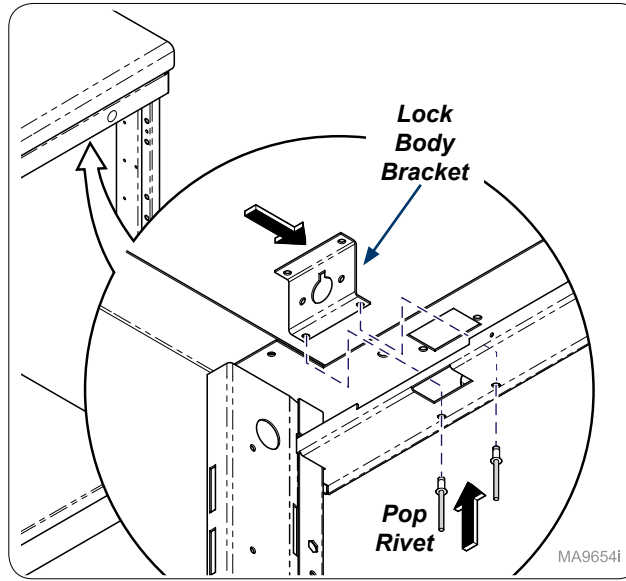
Remove drawers and slides as needed from cabinet.

MA9752i



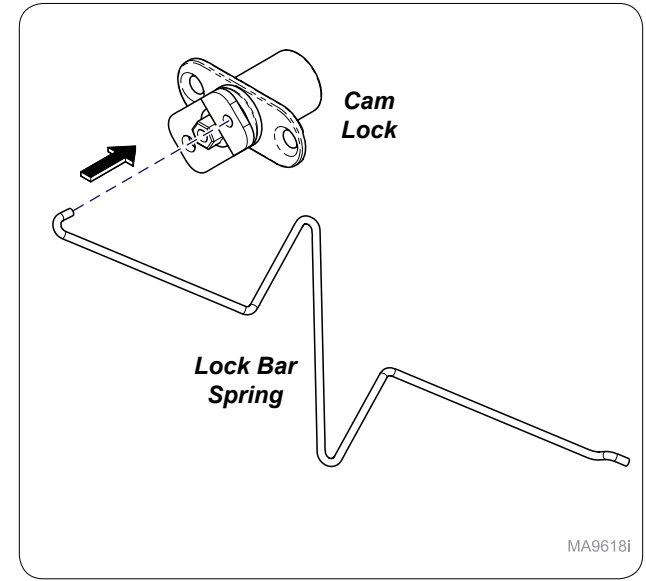
Step 2:
Remove nock-out with a punch.

MA9651i



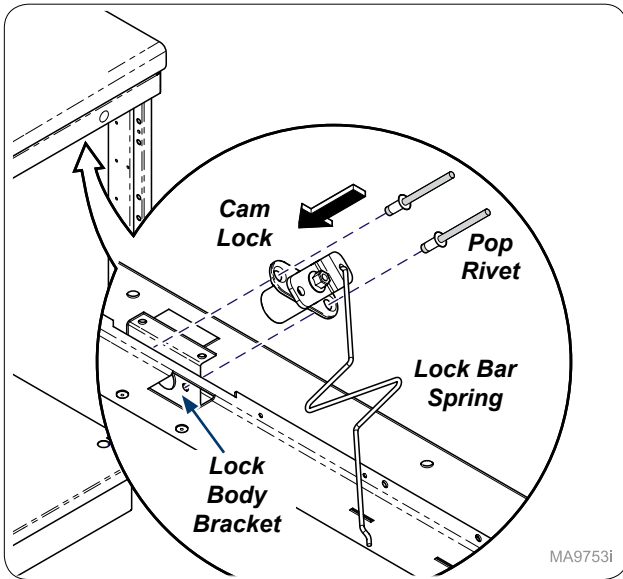
Step 3: Base Cabinet
Install lock body bracket into cabinet with pop rivets.

MA9654i



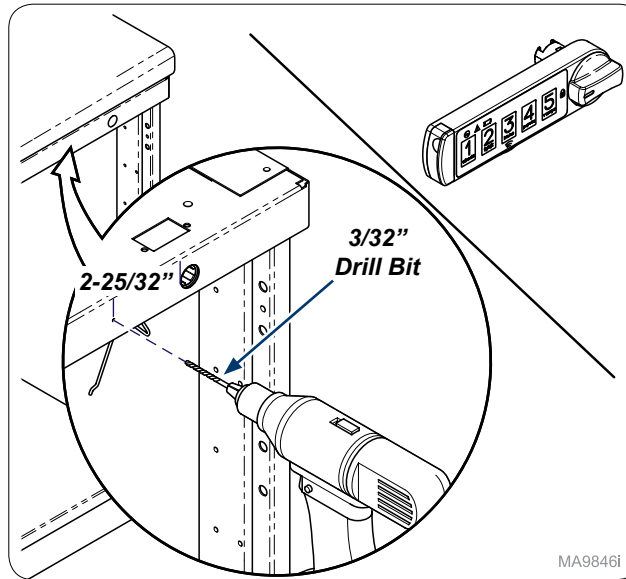
Step 4:
Assemble lock bar spring onto cam lock.

MA9618i



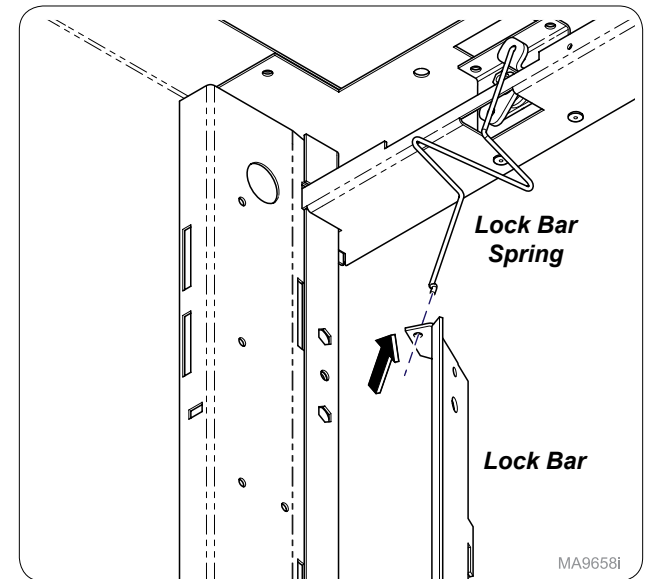
Step 5:
Install cam lock inside cabinet with lock bar spring attached to lock body bracket.

MA9753i



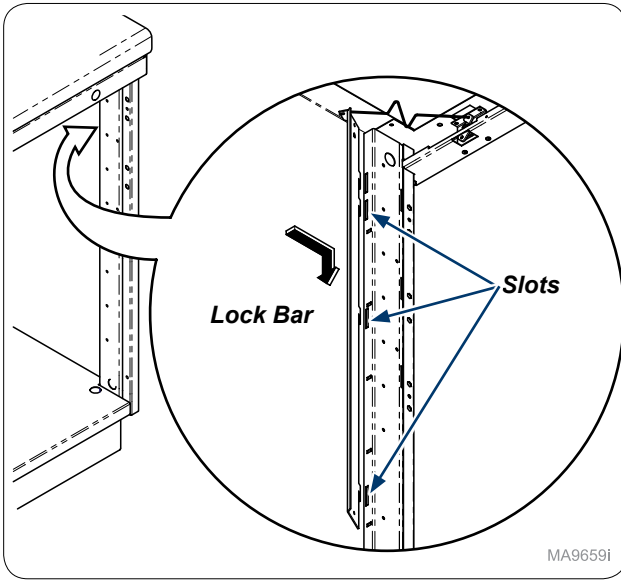
Step 6:
Drill a 3/32" hole, 2-25/32" from edge of the 3/4 lock hole. Use manufacturer's instructions to assemble Keyless Lock.
Note: After assembling lock, continue to Step 7 for installation of Lock Bar.

MA9846i



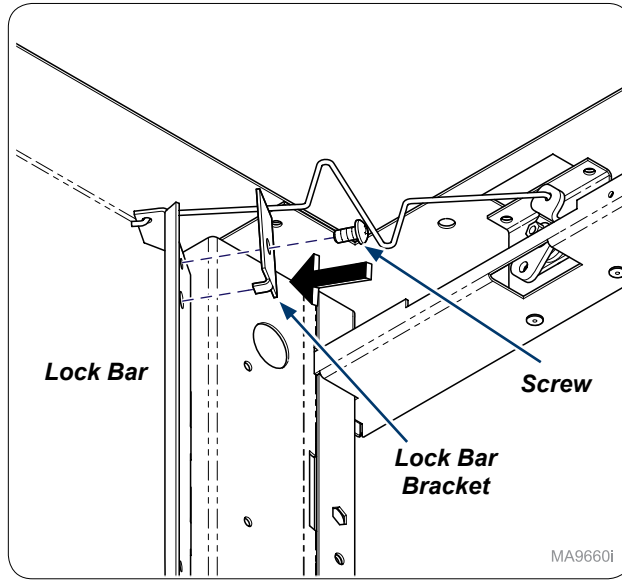
Step 7:
Install lock bar onto lock bar spring.

MA9658i



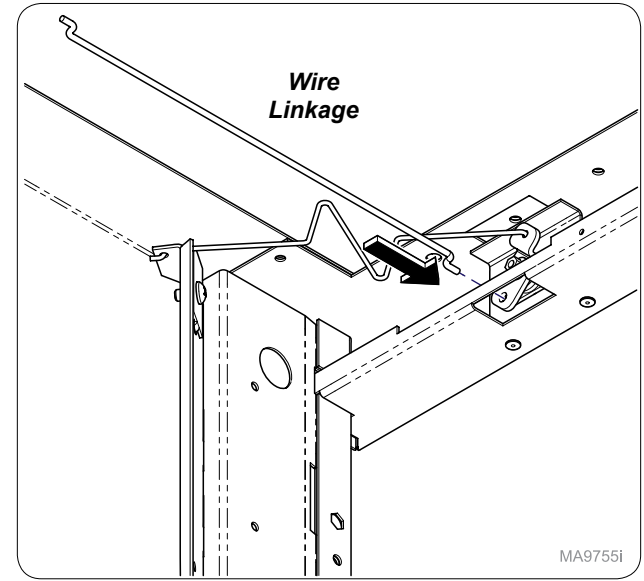
MA9659i

Step 8:
 Inside cabinet install lock bar into slots as shown.
Note: Lock bars will vary but assembly process is the same.



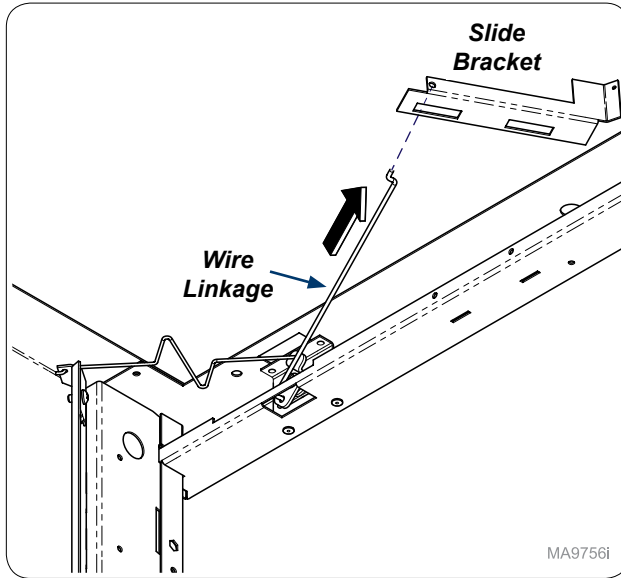
MA9660i

Step 9:
 Secure lock bar bracket onto lock bar with screw provided.



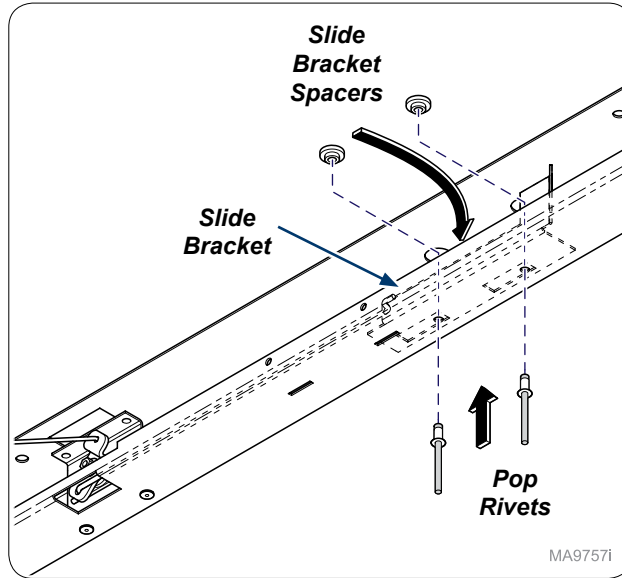
MA9755i

Step 10:
 Install wire linkage onto cam lock.



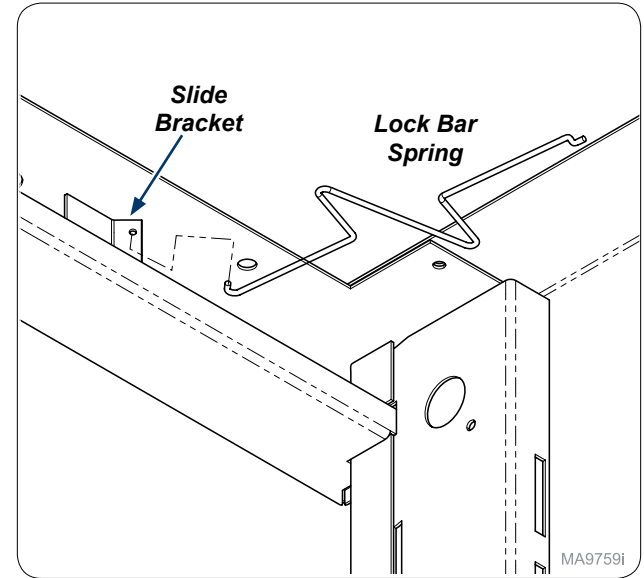
MA9756i

Step 11:
 Install slide bracket to wire linkage.



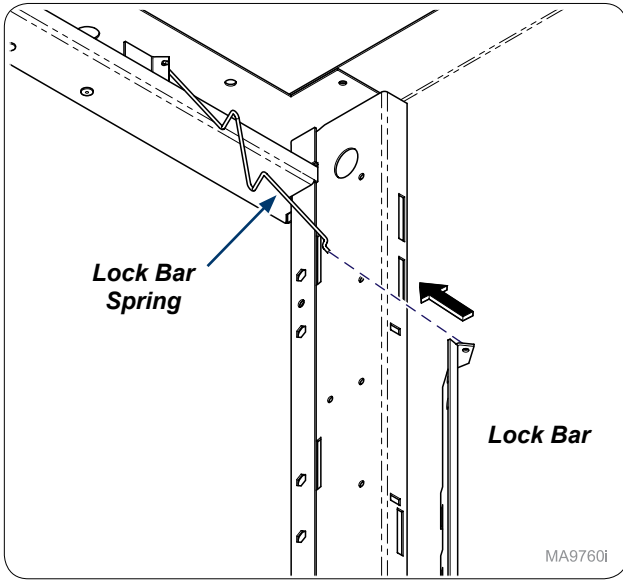
MA9757i

Step 12:
 Install slide bracket and slide bracket spacers with pop rivets in side cabinet.

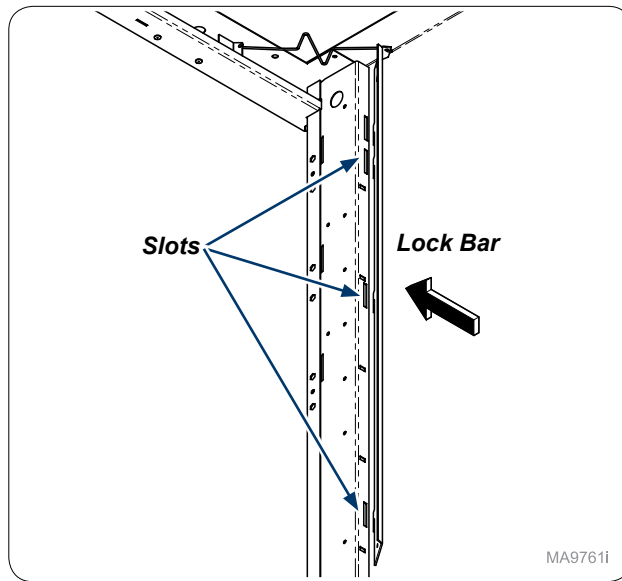


MA9759i

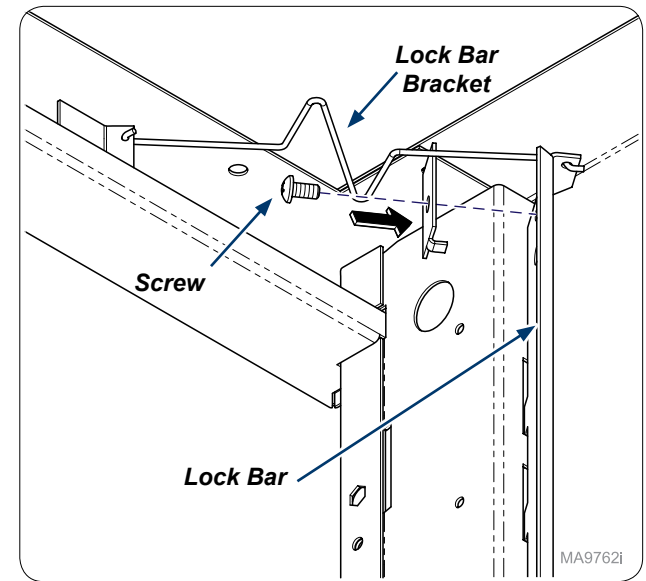
Step 13:
 Install lock bar spring onto slide bracket.



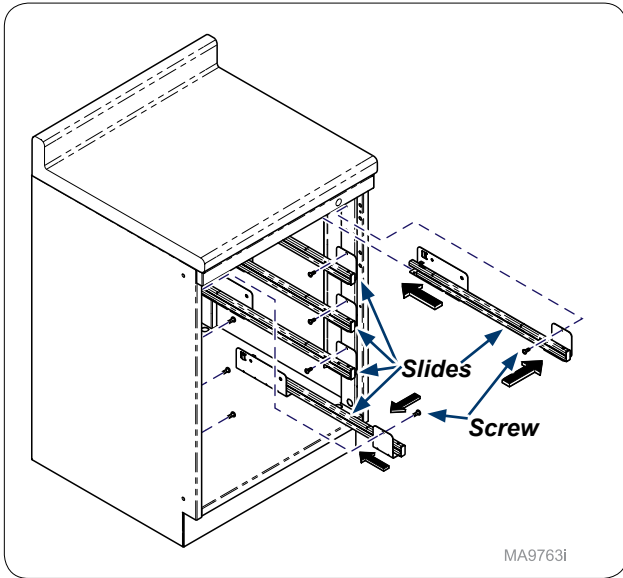
Step 14:
Install lock bar onto lock bar spring.



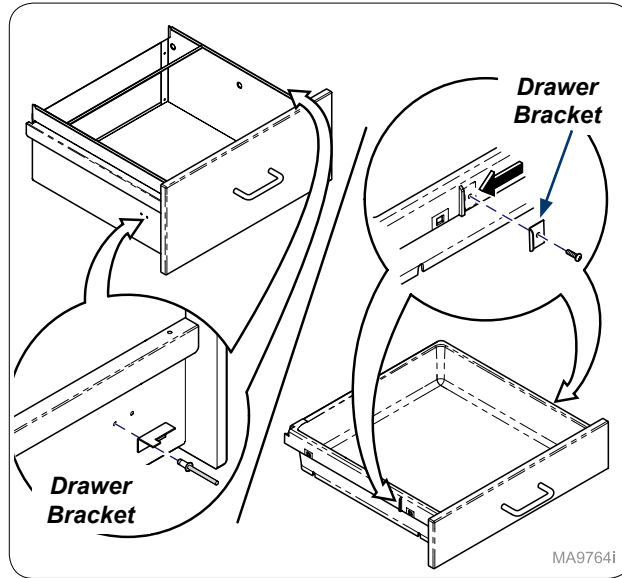
Step 15:
Inside cabinet install lock bar into slots as shown.
Note: Lock bars will vary but it is same assembly.



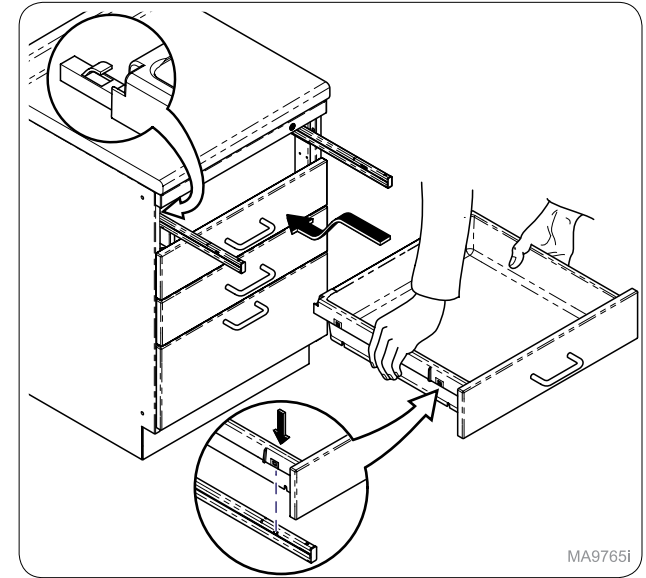
Step 16:
Secure lock bar bracket onto lock bar with screw provided.



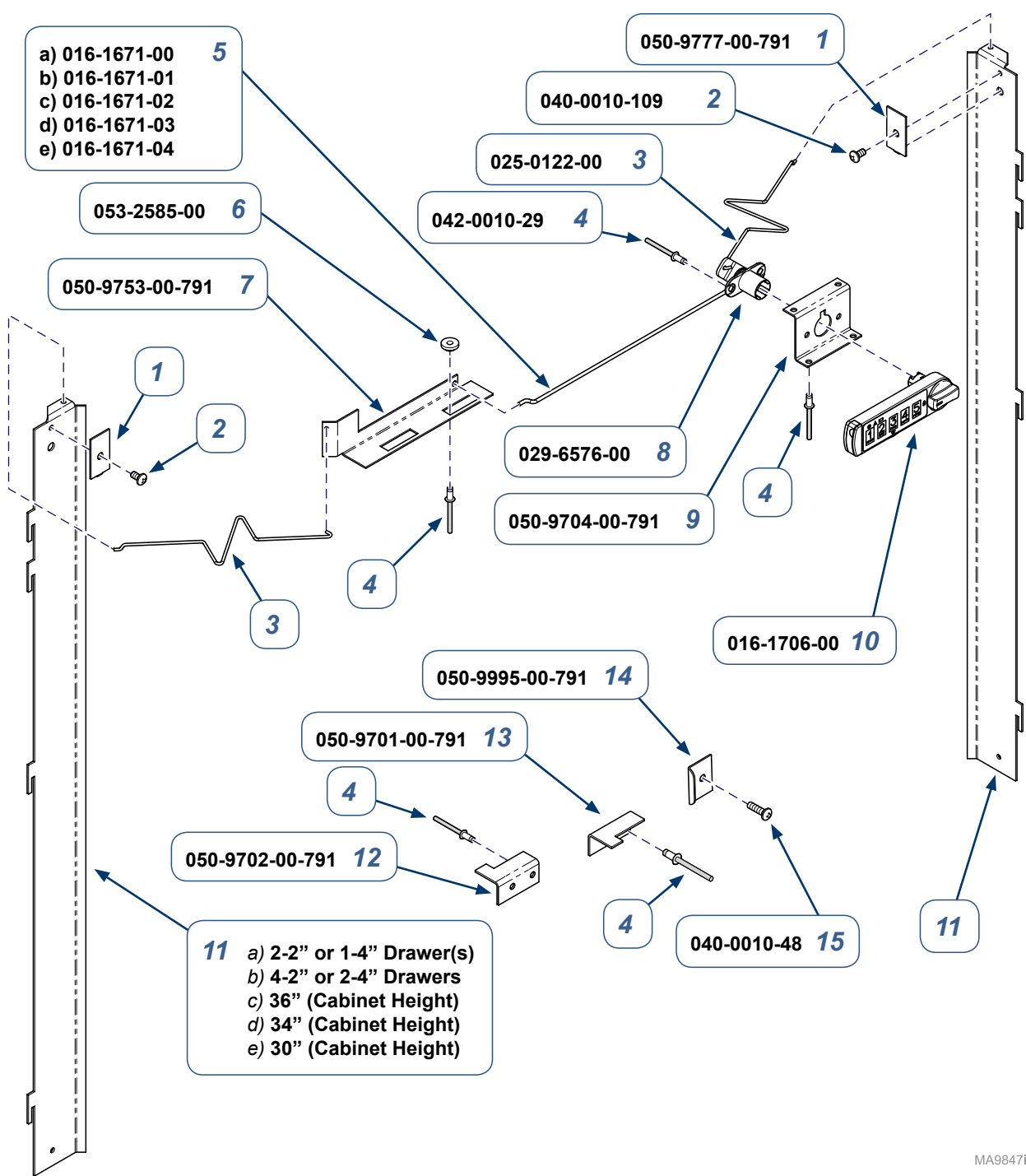
Step 17:
Re-install slides as needed.



Step 18:
Install drawer brackets as needed on drawer or filing drawers.
Note: Numbers of bracket(s) and screw(s) will vary with number of drawers.



Step 19:
Re-install drawers and test lock.



- a) 016-1671-00 **5**
- b) 016-1671-01
- c) 016-1671-02
- d) 016-1671-03
- e) 016-1671-04

- 11**
- a) 2-2" or 1-4" Drawer(s)
 - b) 4-2" or 2-4" Drawers
 - c) 36" (Cabinet Height)
 - d) 34" (Cabinet Height)
 - e) 30" (Cabinet Height)

002-1972-xx Base Cabinet Drawer Double Keyless Lock Kit - (see chart on next page) (includes items 1 thru 16)

Item	Description	Qty.
1	• Lock Bar Bracket	1
2	• Screw (#10 -24 x 3/8")	2
3	• Lock Bar Spring	2
4	• Pop Rivets (0.156" x 0.379")	8
5	• Wire Linkage a) 4" (18" Cabinet Width) b) 7" (21" Cabinet Width) c) 10" (24" Cabinet Width) d) 15.5" (30" Cabinet Width) e) 21.5" (36" Cabinet Width)	1
6	• Slide Bracket Spacer	2
7	• Slide Bracket	1
8	• Cam Lock	1
9	• Lock Body Bracket	4
10	• Keyless Lock	1
11	• RH Lock Bar Contact Technical Service for Part Numbers	1
12	• RH File Lock Bracket - (1 per Drawer)	AR
13	• LH File Lock Bracket - (1 per Drawer)	AR
14	• Drawer Lock Bracket - (1 per Drawer)	AR
15	• Screw (#10 x 5/8") - (1 per Lock Bracket)	AR

TP200 Rev. A

MA9847i

Serial Numbers / Dates: all

Lock Kit	Cabinet Width	Cabinet Height	Used on:	Lock Kit	Cabinet Width	Cabinet Height	Used on:
002-1972-00	30"	N/A	Base & Mobile: 2 - 2" / 1 - 4" Drawers w/ Doors	002-1972-20	18"	30"	30" Base & 27" Mobile: All / 1 - File Drawer
002-1972-01	36"	N/A	Base & Mobile: 2 - 2" / 1 - 4" Drawers w/ Doors	002-1972-21	21"	30"	30" Base & 27" Mobile: All / 1 - File Drawer
002-1972-02	30"	N/A	Base & Mobile: 4 - 2" / 2 - 4" Drawers w/ Doors	002-1972-22	24"	30"	30" Base & 27" Mobile: All / 1 - File Drawer
002-1972-03	36"	N/A	Base & Mobile: 4 - 2" / 2 - 4" Drawers w/ Doors	002-1972-23	30"	30"	30" Base & 27" Mobile: All / 1 - File Drawer
002-1972-04	30"	36"	36" Base & 33" Mobile: All Drawers	002-1972-24	36"	30"	30" Base & 27" Mobile: All / 1 - File Drawer
002-1972-05	36"	36"	36" Base & 33" Mobile: All Drawers	002-1972-25	18"	36"	36" Base & 33" Mobile: All / 2 - File Drawers
002-1972-06	30"	34"	34" Base & 31" Mobile: All Drawers	002-1972-26	21"	36"	36" Base & 33" Mobile: All / 2 - File Drawers
002-1972-07	36"	34"	34" Base & 31" Mobile: All Drawers	002-1972-27	24"	36"	36" Base & 33" Mobile: All / 2 - File Drawers
002-1972-08	30"	30"	30" Base & 27" Mobile: All Drawers	002-1972-28	30"	36"	36" Base & 33" Mobile: All / 2 - File Drawers
002-1972-09	36"	30"	30" Base & 27" Mobile: All Drawers	002-1972-29	36"	36"	36" Base & 33" Mobile: All / 2 - File Drawers
002-1972-10	18"	36"	36" Base & 33" Mobile: All / 1 - File Drawer	002-1972-30	18"	34"	34" Base & 31" Mobile: All / 2 - File Drawers
002-1972-11	21"	36"	36" Base & 33" Mobile: All / 1 - File Drawer	002-1972-31	21"	34"	34" Base & 31" Mobile: All / 2 - File Drawers
002-1972-12	24"	36"	36" Base & 33" Mobile: All / 1 - File Drawer	002-1972-32	24"	34"	34" Base & 31" Mobile: All / 2 - File Drawers
002-1972-13	30"	36"	36" Base & 33" Mobile: All / 1 - File Drawer	002-1972-33	30"	34"	34" Base & 31" Mobile: All / 2 - File Drawers
002-1972-14	36"	36"	36" Base & 33" Mobile: All / 1 - File Drawer	002-1972-34	36"	34"	34" Base & 31" Mobile: All / 2 - File Drawers
002-1972-15	18"	34"	34" Base & 31" Mobile: All / 1 - File Drawer	002-1972-35	18"	30"	30" Base & 27" Mobile: All / 2 - File Drawers
002-1972-16	21"	34"	34" Base & 31" Mobile: All / 1 - File Drawer	002-1972-36	21"	30"	30" Base & 27" Mobile: All / 2 - File Drawers
002-1972-17	24"	34"	34" Base & 31" Mobile: All / 1 - File Drawer	002-1972-37	24"	30"	30" Base & 27" Mobile: All / 2 - File Drawers
002-1972-18	30"	34"	34" Base & 31" Mobile: All / 1 - File Drawer	002-1972-38	30"	30"	30" Base & 27" Mobile: All / 2 - File Drawers
002-1972-19	36"	34"	34" Base & 31" Mobile: All / 1 - File Drawer	002-1972-39	36"	30"	30" Base & 27" Mobile: All / 2 - File Drawers

