



Tall Cabinet Drawer Single Keyless Lock Installation [002-1973-xx]

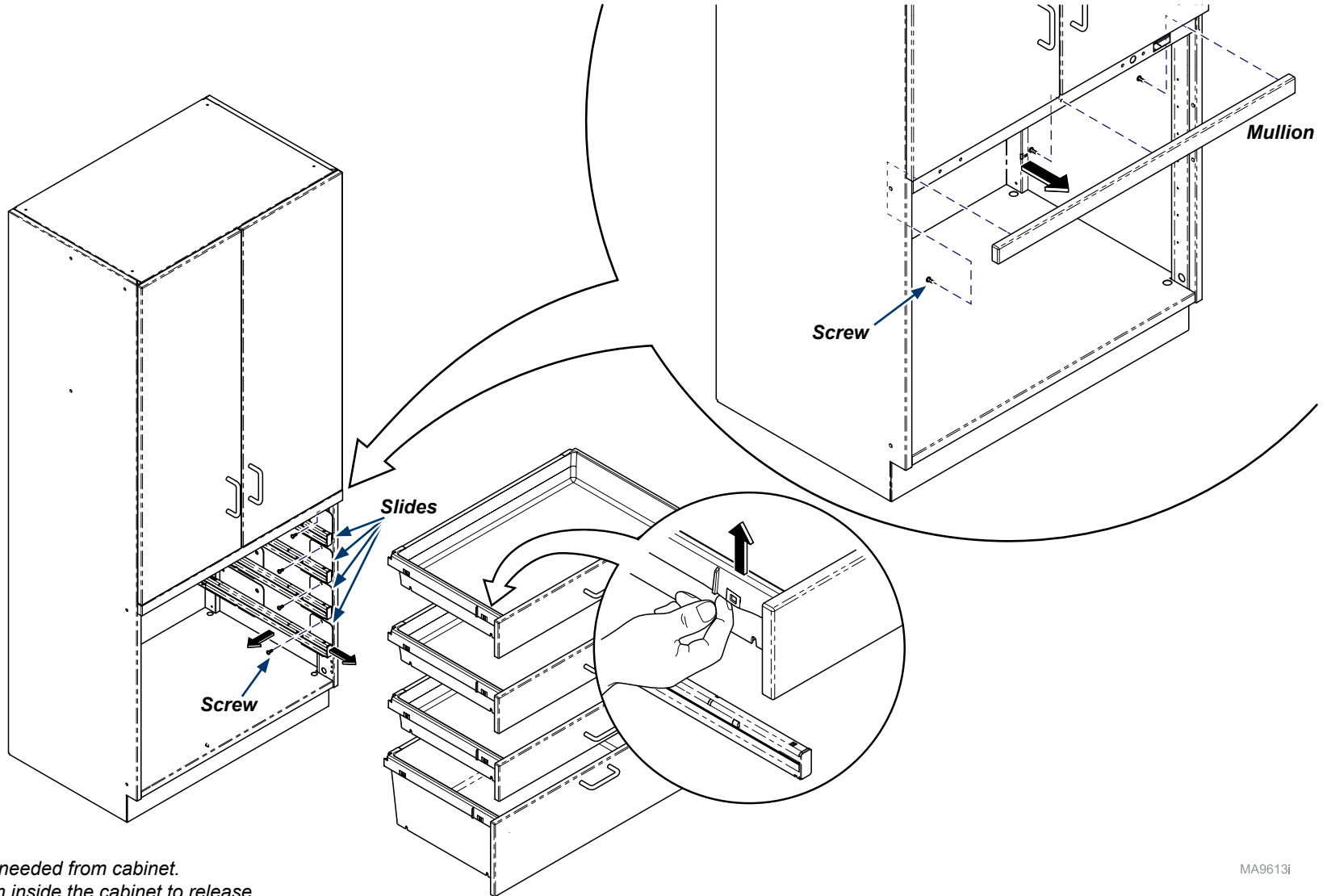
Contents:
Installation 1-3
Exploded View 4

Special Tools:
none

Language of origin: English

Note

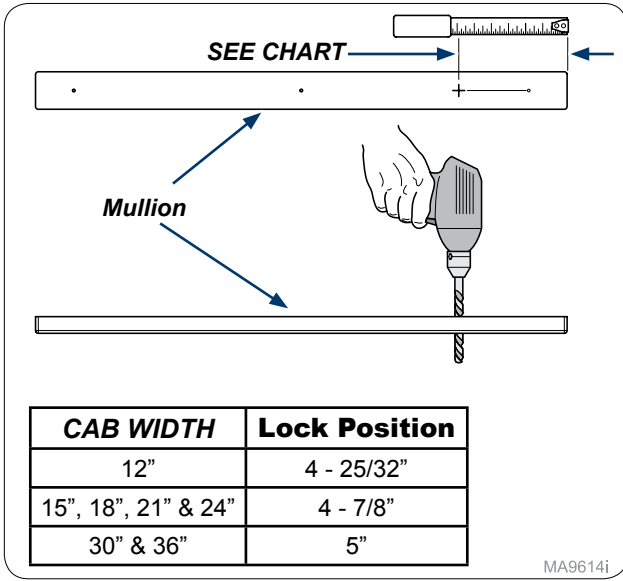
This install can be used for any Tall Cabinet Single Drawer Keyless Lock installation. The assembly process will be the same. The Lock Bar will be a different size depending on the number of drawers.



Step 1:
Remove drawers and slides as needed from cabinet.
Remove screws (3) from Mullion inside the cabinet to release.

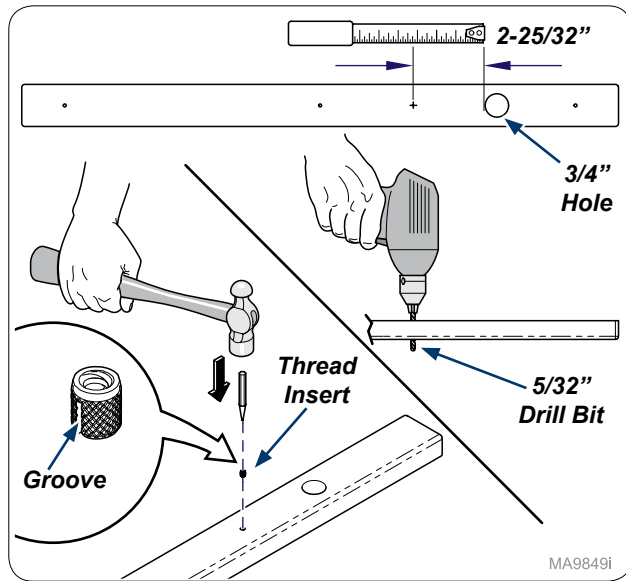
MA9613i

TP200 Rev. A



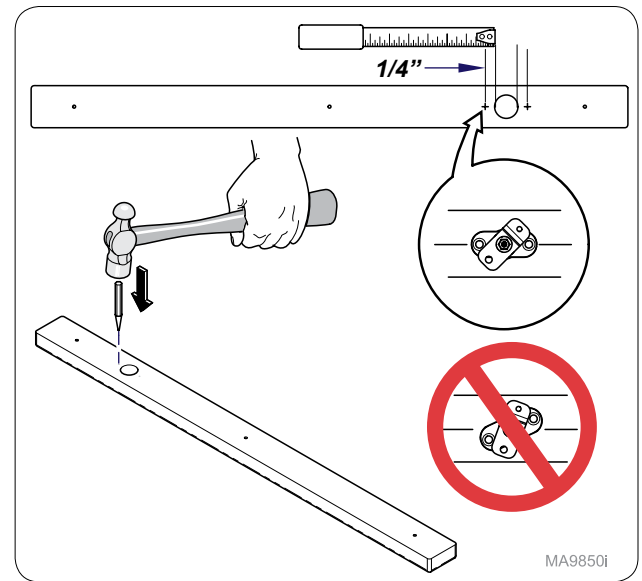
Step 2:

Measure from edge of mullion mark and drill 3/4" hole through mullion.



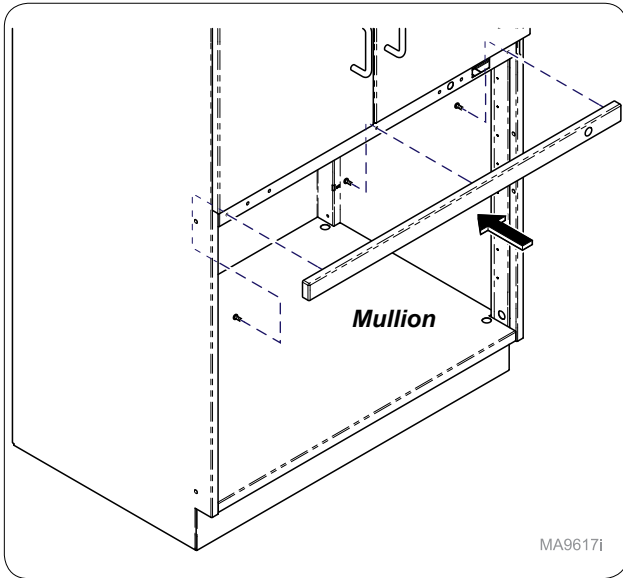
Step 3:

Measure 2-25/32" from 3/4" hole and mark hole as shown. Drill 5/32" hole in mullion. Insert Thread Insert groove first into mullion. **Note: Keep insert flush with mullion face.**



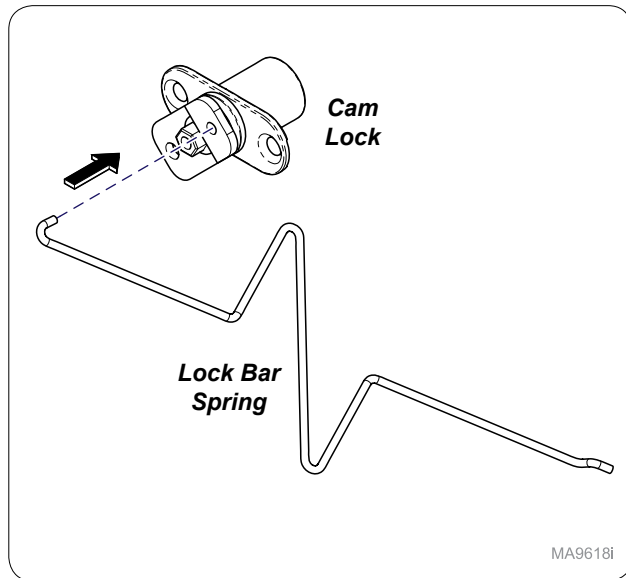
Step 4:

Measure 1/4" from 3/4" hole and mark as shown. Use hole punch and hammer to start mounting holes. **Note: Make sure mounting mark is parallel with mullion.**



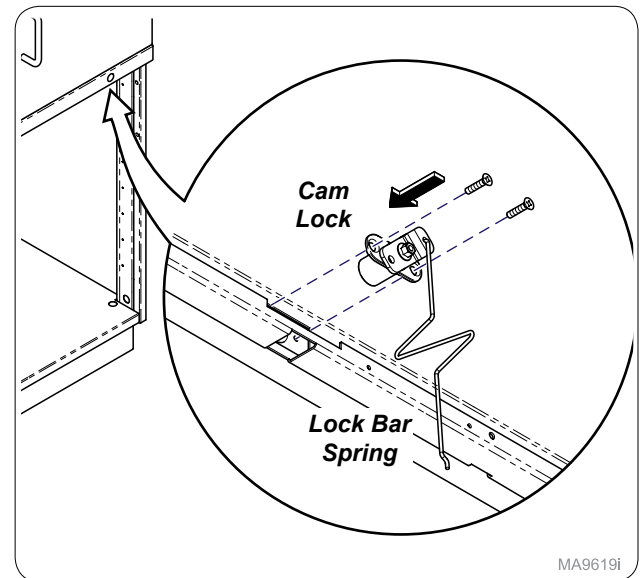
Step 5:

Install mullion onto cabinet with screws(3).



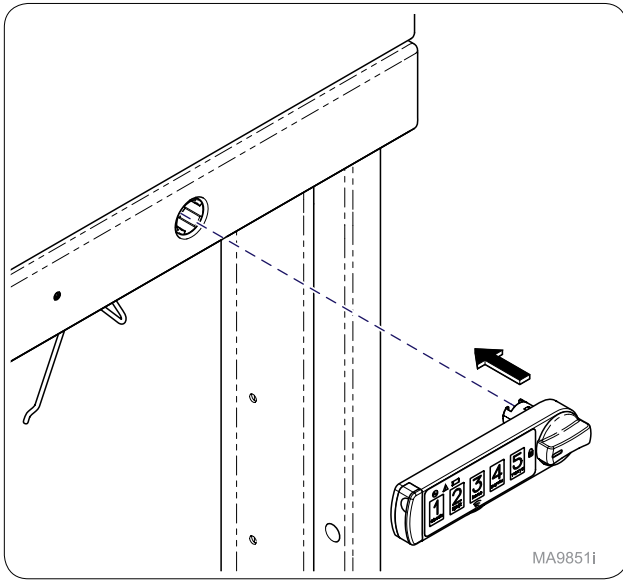
Step 6:

Assemble lock bar spring onto cam lock.



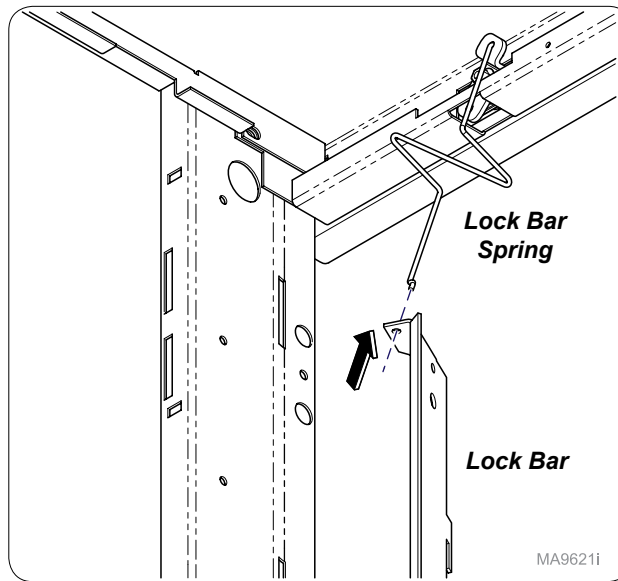
Step 7:

Install cam lock inside cabinet with lock bar spring attached.



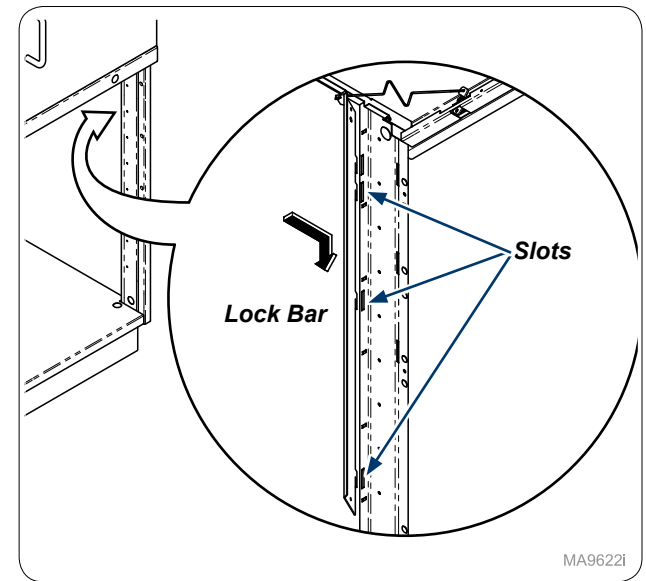
MA9851i

Step 8:
Use manufacturer's instructions to assemble Keyless Lock.
Note: After assembling lock, continue to Step 9 for installation of Lock Bar.



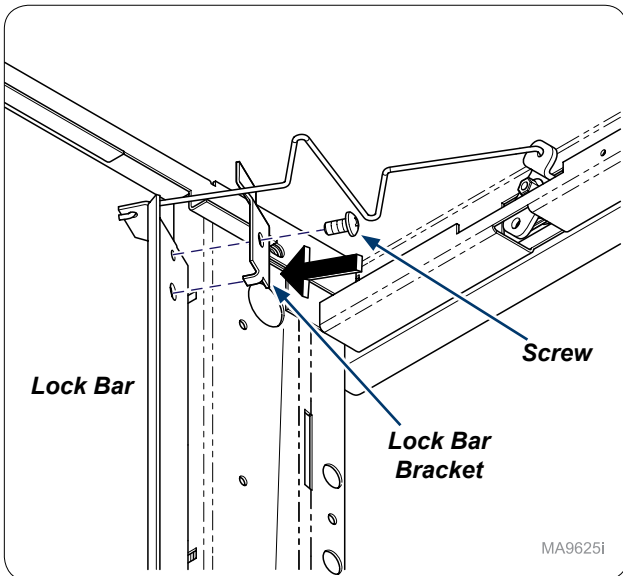
MA9621i

Step 9:
Install lock bar onto lock bar spring.



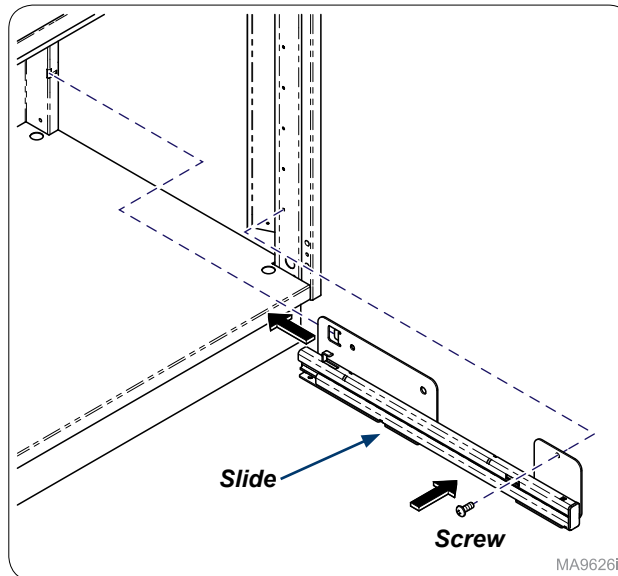
MA9622i

Step 10:
Inside cabinet install lock bar into slots as shown.
Note: Lock bars will vary but assembly process is the same.



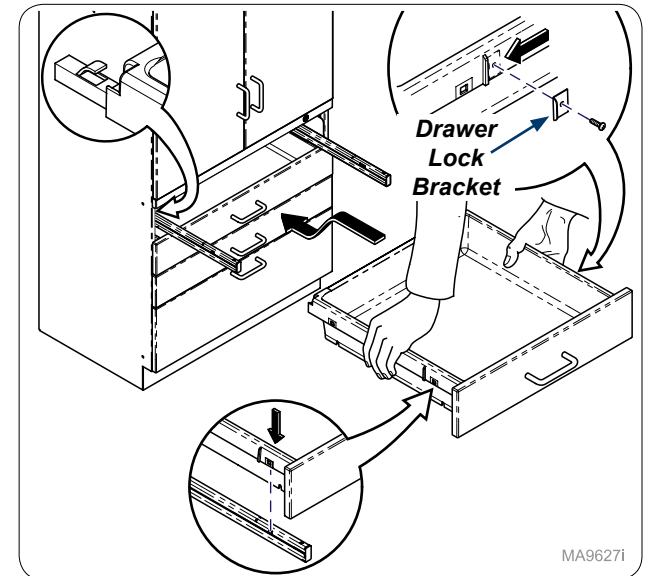
MA9625i

Step 11:
Secure lock bar bracket onto lock bar with screw provided.



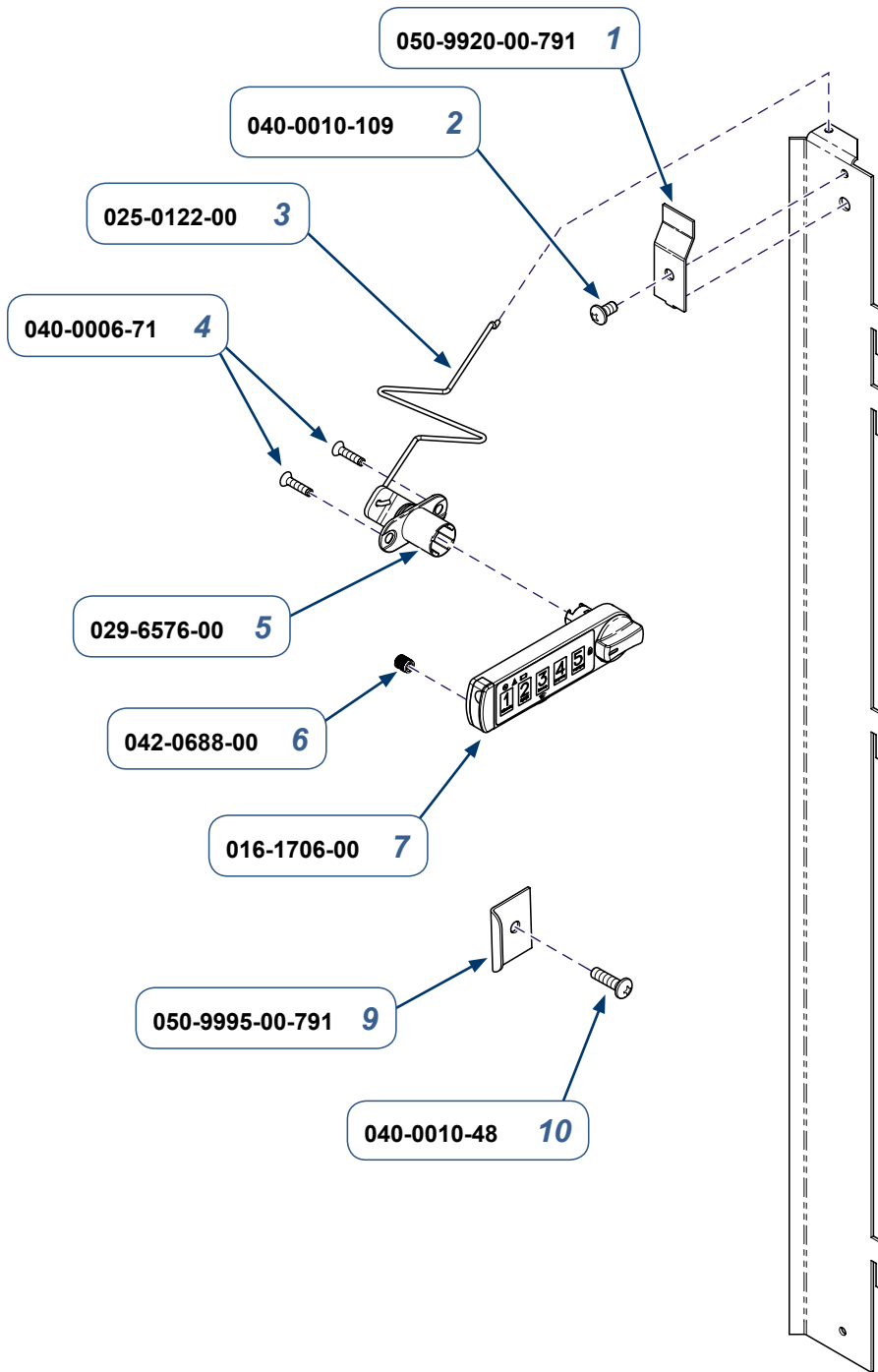
MA9626i

Step 12:
Re-install slides (4) with screws (4).



MA9627i

Step 13:
Install drawer lock bracket(s) onto drawer with provided screw(s). Re-install drawers and test lock. **Note:** Numbers of bracket(s) and screw(s) will vary with number of drawers.



Lock Kit	Used on:
002-1973-00	Tall Cabinet: 2 - 2" / 1 - 4" Drawers
002-1973-01	Tall Cabinet: 4 - 2" / 2 - 4" Drawers
002-1973-02	Tall Cabinet: All Drawers

- 8**
- a) 2-2" or 1-4" Drawer(s)
 - b) 4-2" or 2-4" Drawers
 - c) 36" (Cabinet Height)
 - d) 34" (Cabinet Height)
 - e) 30" (Cabinet Height)

002-1973-xx Tall Cabinet Drawer Single Keyless Lock Kit (includes items 1 thru 10)		
Item	Description	Qty.
1	• Lock Bar Bracket	1
2	• Screw (#10 -24 x 3/8")	1
3	• Lock Bar Spring	1
4	• Screw (#6 x 5/8")	2
5	• Cam Lock	1
6	• Press-Fit Thread Insert	1
7	• Keyless Lock	1
8	• RH Lock Bar Contact Technical Service for Part Numbers	1
9	• Drawer Lock Bracket - (1 per Drawer)	AR
10	• Screw (#10 x 5/8") - (1 per Lock Bracket)	AR

Serial Numbers / Dates: all

MA9852i