



Tall Cabinet Drawer Keyless Double Lock Installation [002-1974-xx]

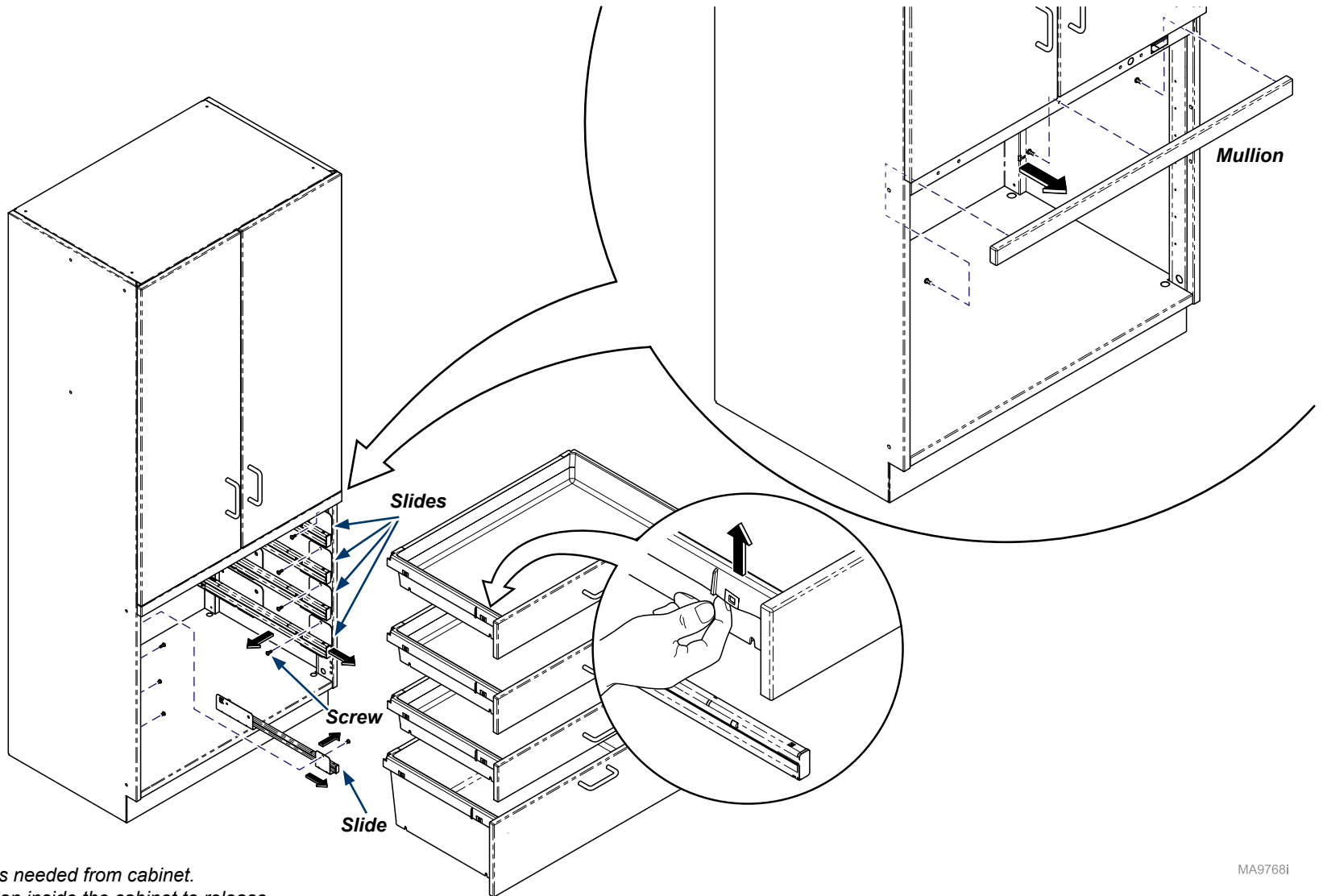
Contents:
Installation 1-5
Exploded View 6

Special Tools:
none

Language of origin: English

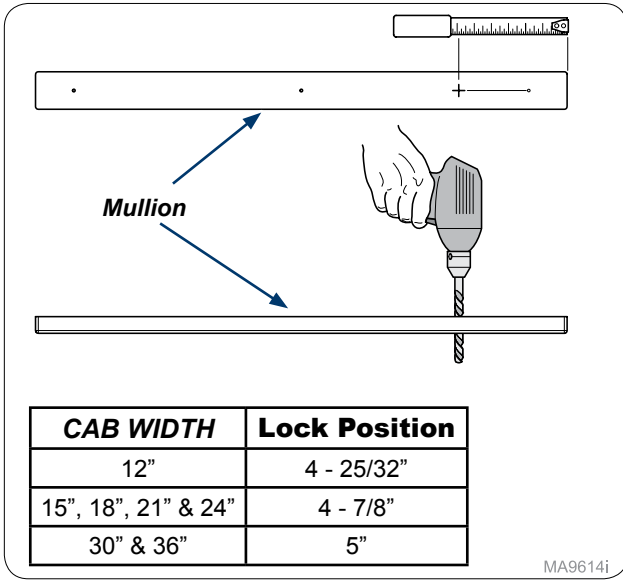
Note

This install can be used for any Tall Cabinet Double Drawer Keyless Lock installation. The assembly process will be the same. The Lock Bar will be a different size depending on the number of drawers.



Step 1:
Remove drawers and slides as needed from cabinet.
Remove screws (3) from Mullion inside the cabinet to release.

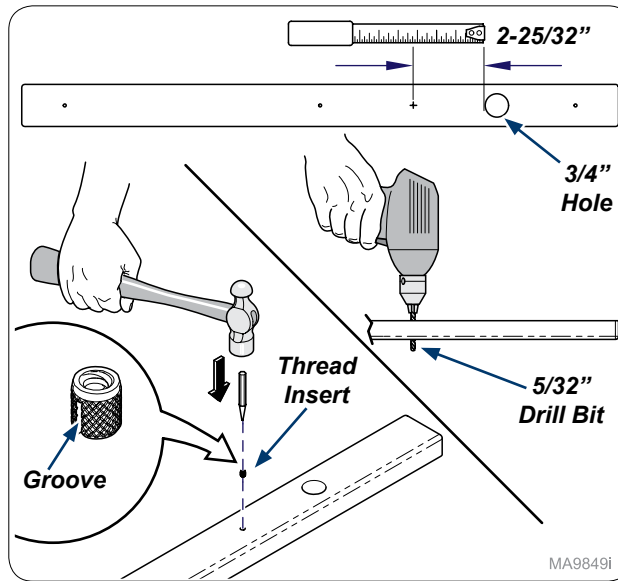
MA9768i



MA9614i

Step 2:

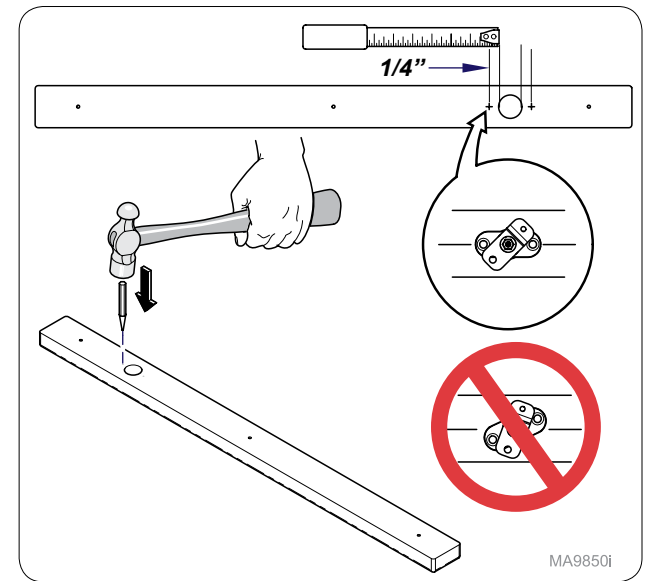
Measure from edge of mullion mark and drill 3/4" hole through mullion.



MA9849i

Step 3:

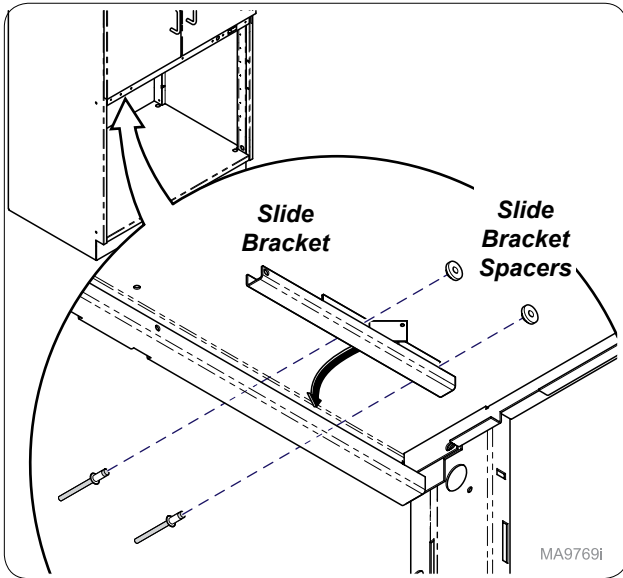
Measure 2-25/32" from 3/4" hole and mark hole as shown. Drill 5/32" hole in mullion. Insert Thread Insert groove first into mullion. **Note: Keep insert flush with mullion face.**



MA9850i

Step 4:

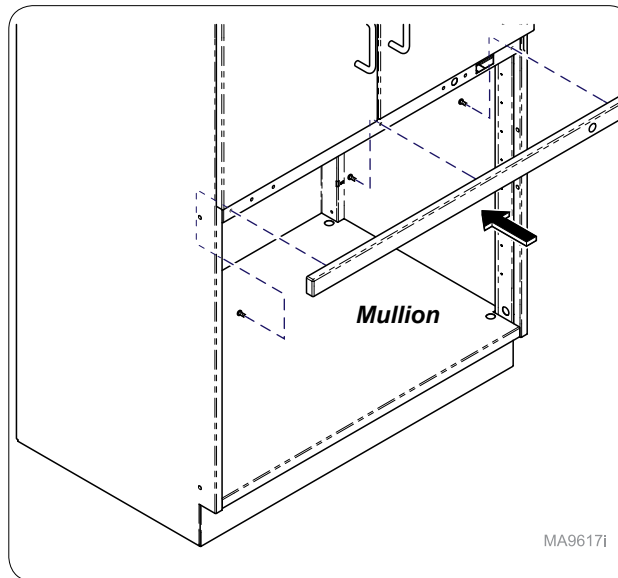
Measure 1/4" from 3/4" hole and mark as shown. Use hole punch and hammer to start mounting holes. **Note: Make sure mounting mark is parallel with mullion.**



MA9769i

Step 5:

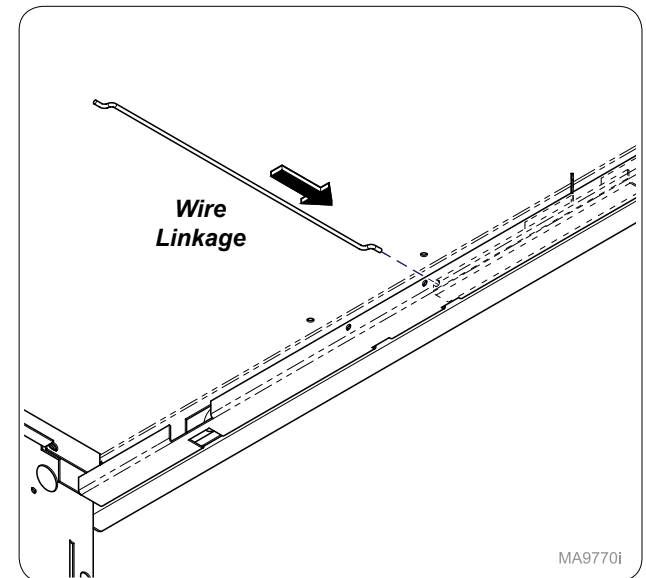
Install slide bracket and slide bracket spacers as shown.



MA9617i

Step 6:

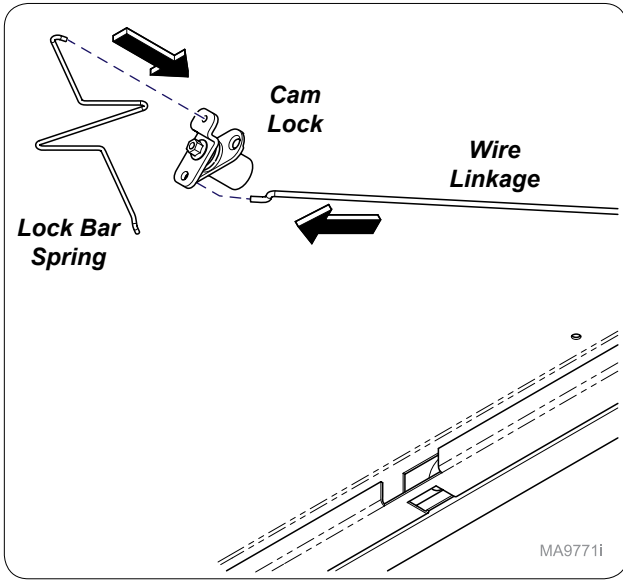
Install mullion onto cabinet with screws(3).



MA9770i

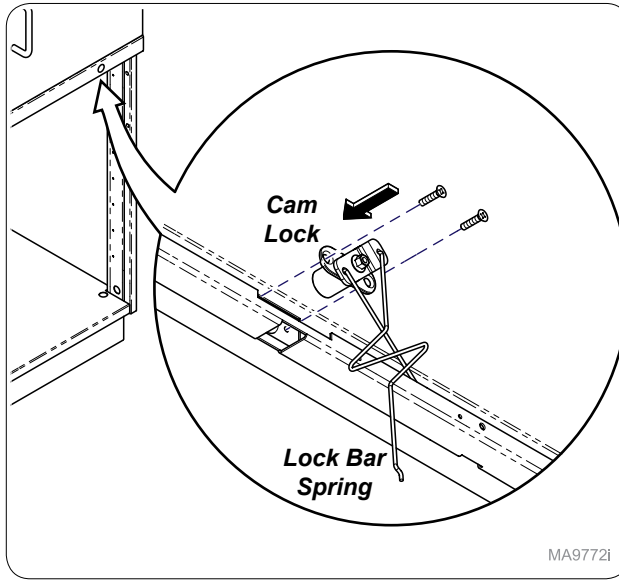
Step 7:

Install wire linkage into slide bracket.



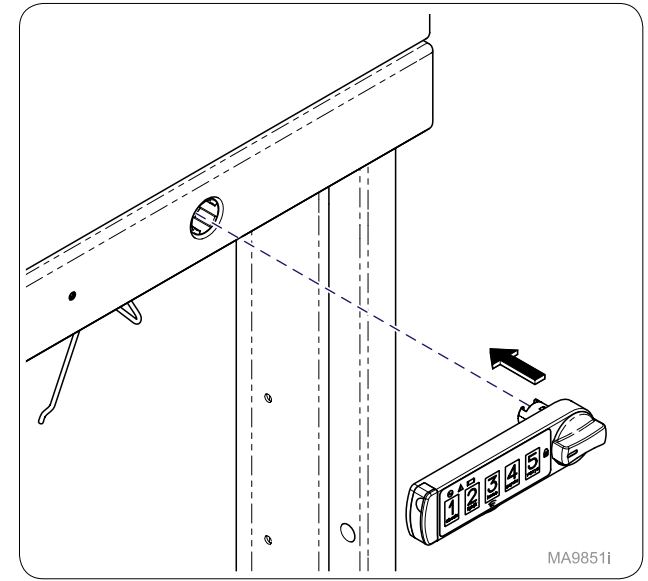
Step 8:
Assemble cam lock onto wire linkage and lock bar spring onto cam lock.

MA9771i



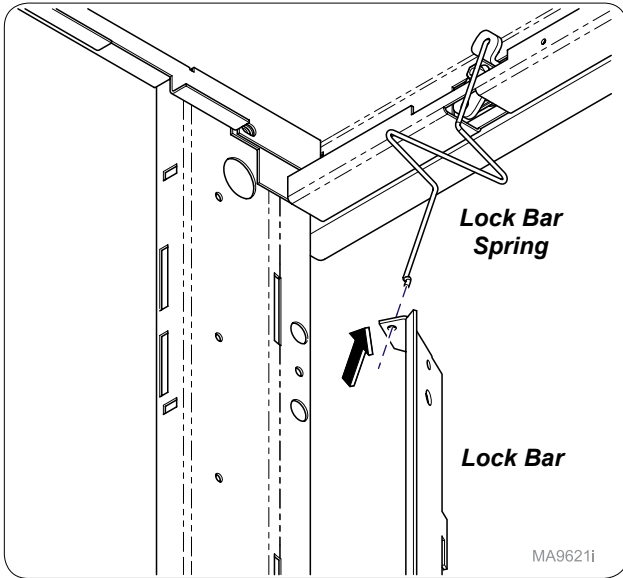
Step 9:
Install cam lock into mullion from inside cabinet making sure lock bar spring is on top as shown.

MA9772i



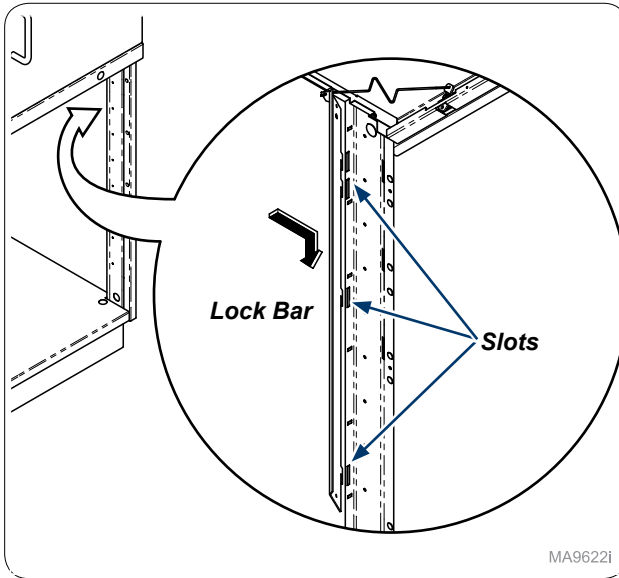
Step 10:
Use manufacturer's instructions to assemble Keyless Lock. **Note:** After assembling lock, continue to Step 11 for installation of Lock Bar.

MA9851i



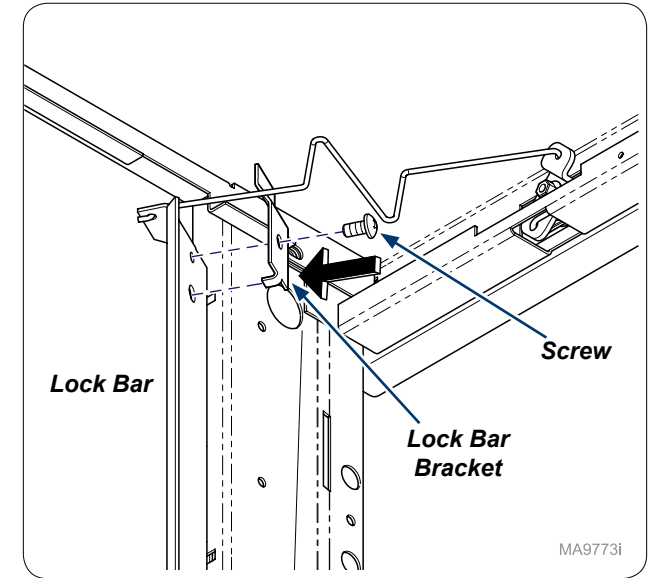
Step 11:
Install lock bar onto lock bar spring.

MA9621i



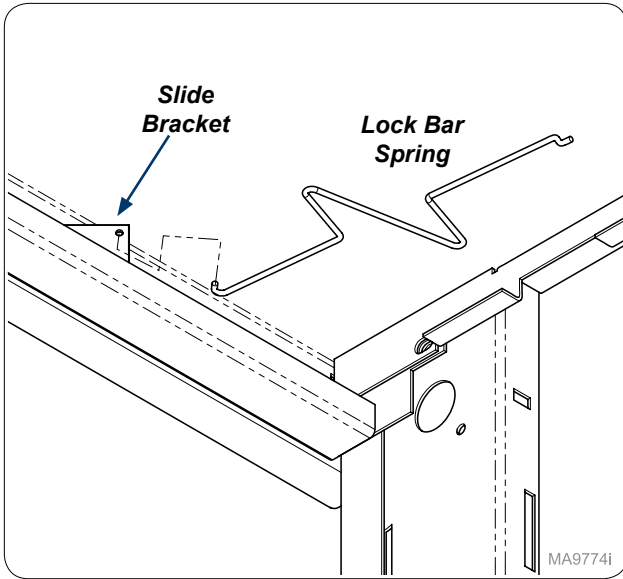
Step 12:
Inside cabinet install lock bar into slots as shown.

MA9622i

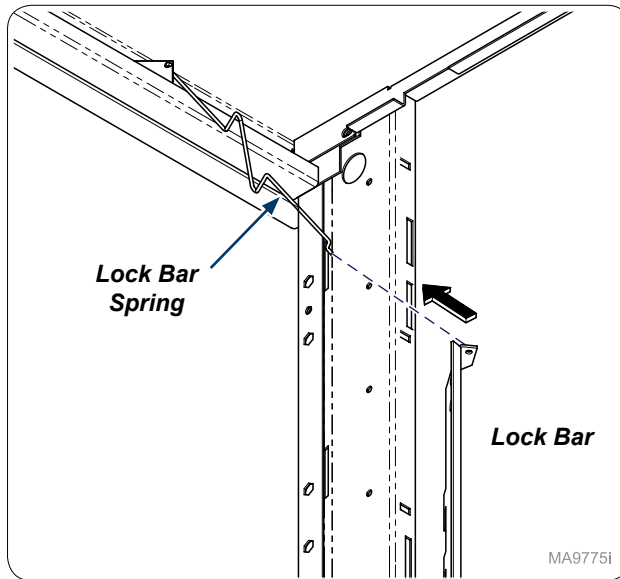


Step 13:
Secure lock bar bracket onto lock bar with screw provided.

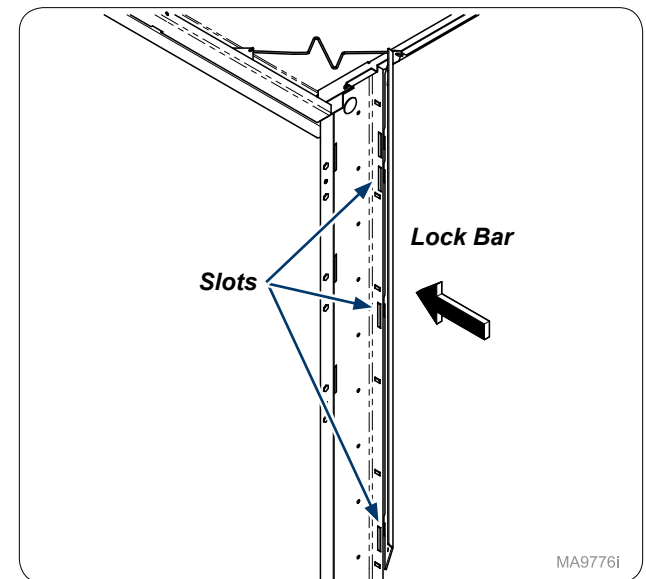
MA9773i



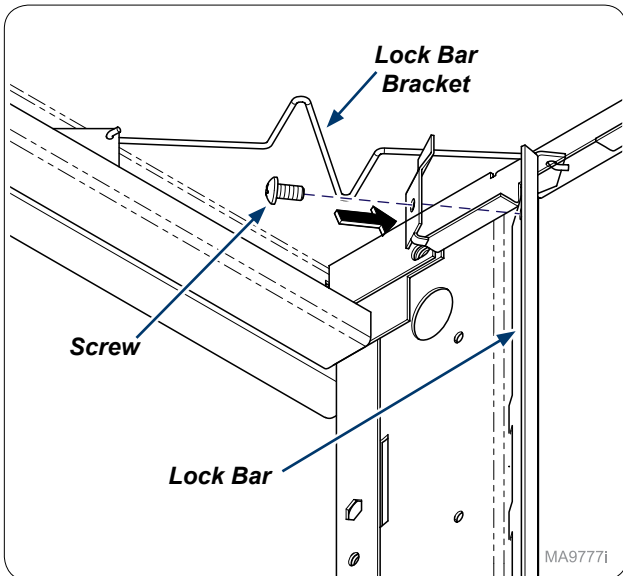
Step 14:
Install lock bar spring onto slide bracket.



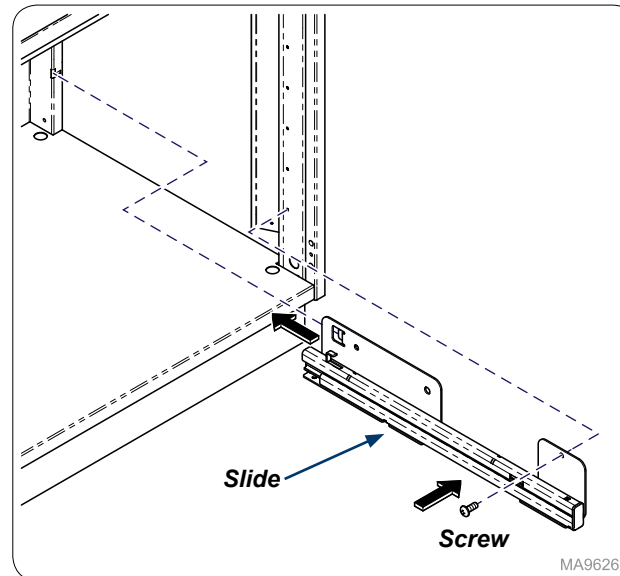
Step 15:
Install lock bar onto lock bar spring.



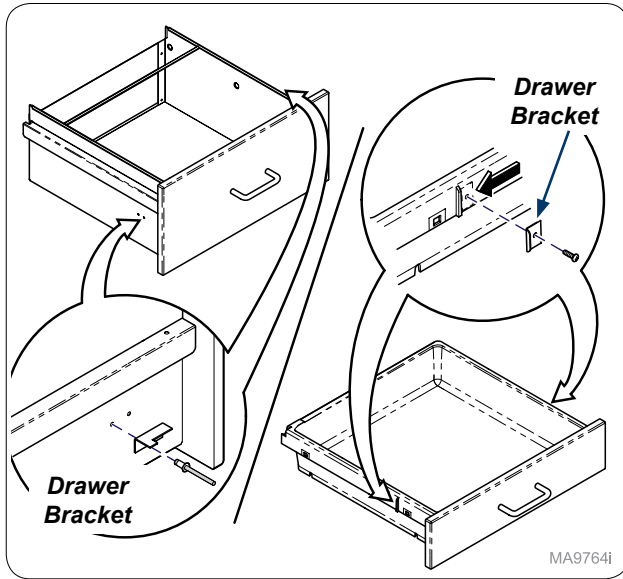
Step 16:
Inside cabinet install lock bar into slots as shown.
Note: Lock bars will vary but assembly process is the same.



Step 17:
Secure lock bar bracket onto lock bar with screw provided.

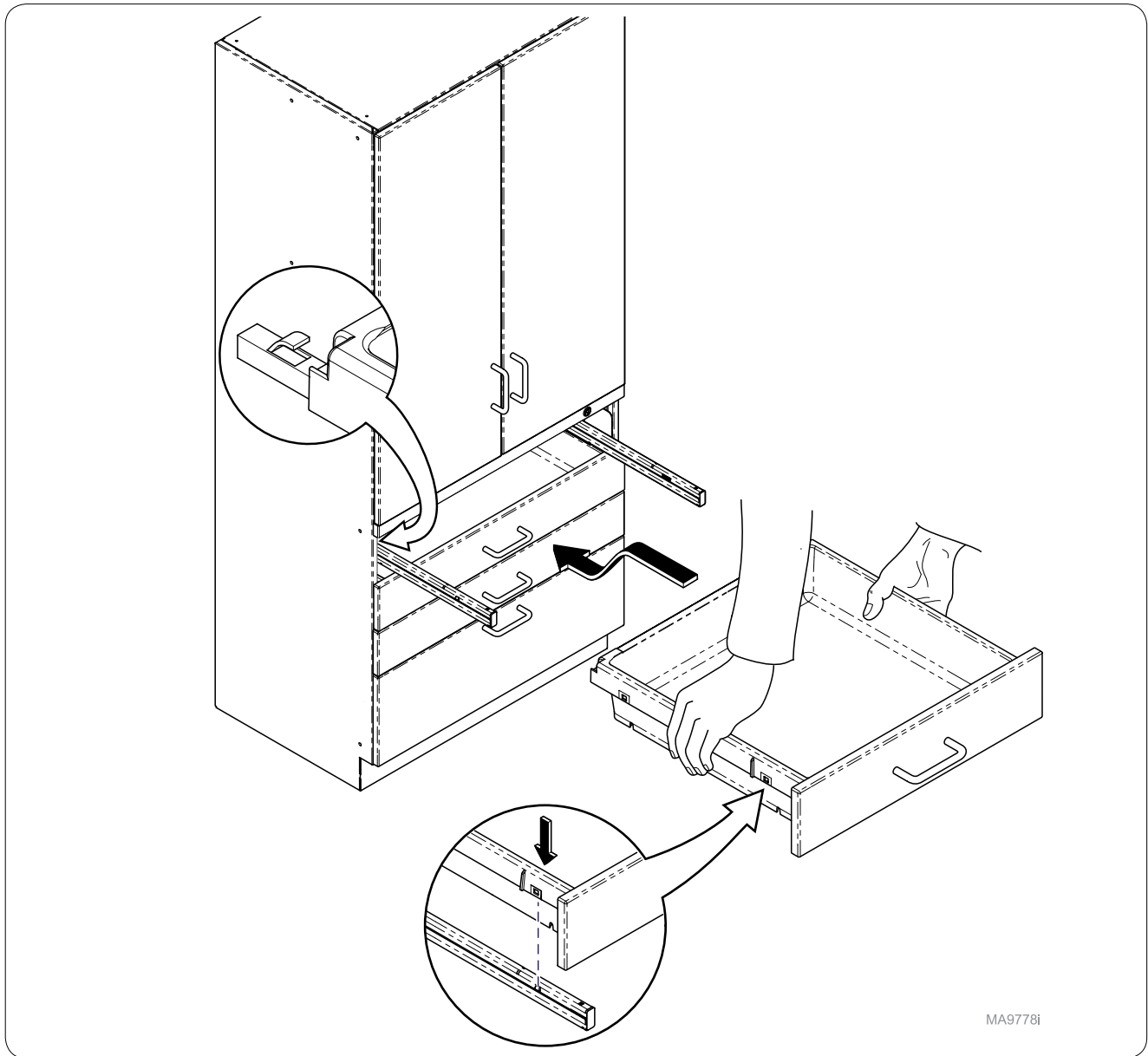


Step 18:
Re-install slides with screws as needed.



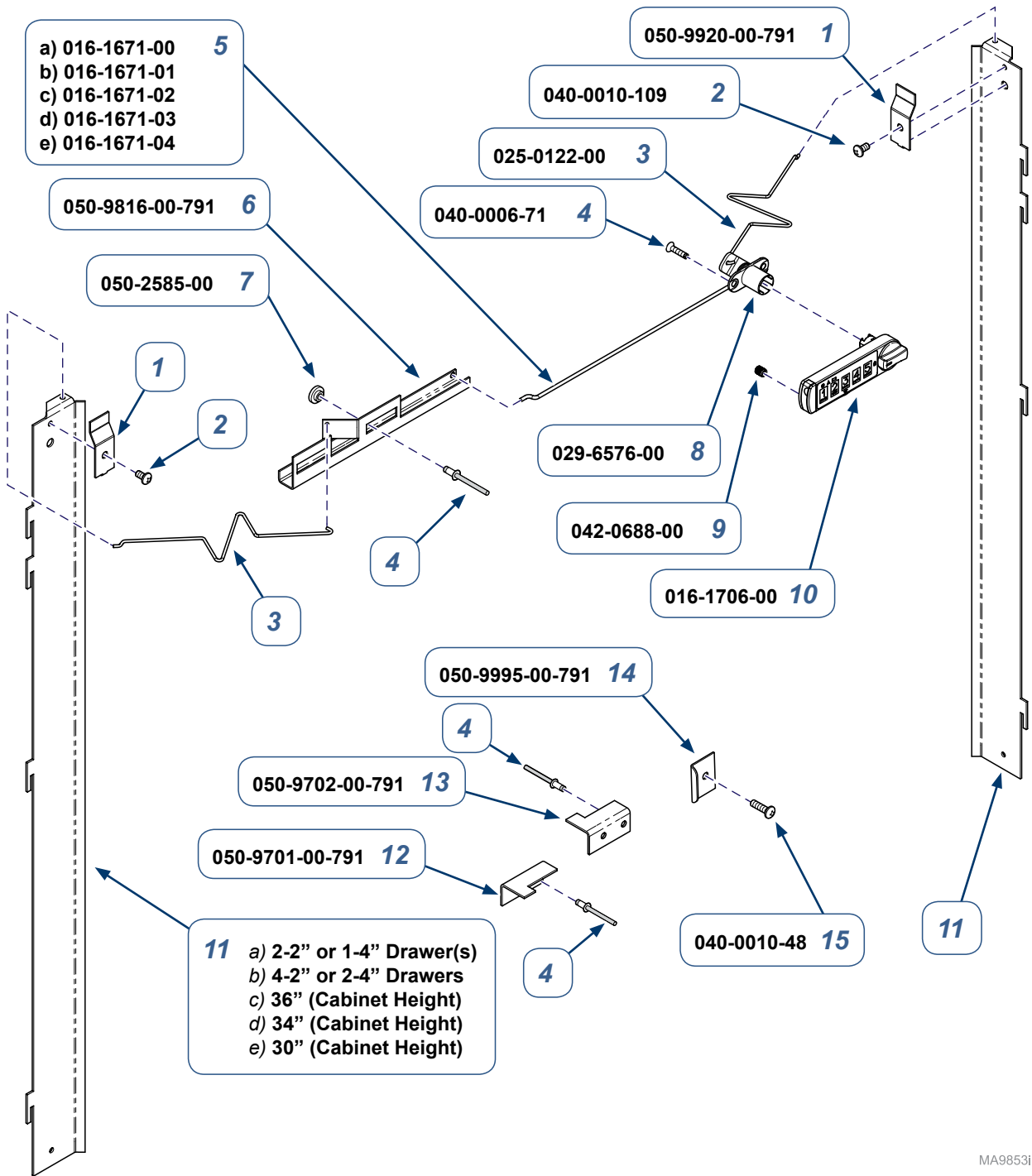
MA9764i

Step 19:
 Install drawer brackets as needed on drawer or filing drawers.
Note: Numbers of bracket(s) and screw(s) will vary with number of drawers.



MA9778i

Step 20:
 Re-install drawers and test lock.



002-1974-xx Tall Cabinet Drawer Keyless Double Lock Kit - (see chart on next page)
 (includes items 1 thru 16)

| Item | Description | Qty. |
|------|--|------|
| 1 | • Lock Bar Bracket | 1 |
| 2 | • Screw (#10 -24 x 3/8") | 2 |
| 3 | • Lock Bar Spring | 2 |
| 4 | • Screw (#6 x 5/8") | 8 |
| 5 | • Wire Linkage a) 4" (18" Cabinet Width) b) 7" (21" Cabinet Width) c) 10" (24" Cabinet Width) d) 15.5" (30" Cabinet Width) e) 21.5" (36" Cabinet Width) | 1 |
| 6 | • Slide Bracket | 1 |
| 7 | • Slide Bracket Spacer | 2 |
| 8 | • Cam Lock | 1 |
| 9 | • Press-Fit Thread Insert | 1 |
| 10 | • Keyless Lock | 1 |
| 11 | • RH Lock Bar Contact Technical Service for Part Numbers | 1 |
| 12 | • LH File Lock Bracket - (1 per Drawer) | AR |
| 13 | • RH File Lock Bracket - (1 per Drawer) | AR |
| 14 | • Drawer Lock Bracket - (1 per Drawer) | AR |
| 15 | • Screw (#10 x 5/8") - (1 per Lock Bracket) | AR |

- 11** a) 2-2" or 1-4" Drawer(s)
 b) 4-2" or 2-4" Drawers
 c) 36" (Cabinet Height)
 d) 34" (Cabinet Height)
 e) 30" (Cabinet Height)

Serial Numbers / Dates: all

TP200 Rev. A

MA9853i

| Lock Kit | Cabinet Width | Used on: |
|-----------------|----------------------|---------------------------------------|
| 002-1974-00 | 30" | Tall Cabinet: 2 - 2" / 1 - 4" Drawers |
| 002-1974-01 | 36" | Tall Cabinet: 1 - 4" Drawers |
| 002-1974-02 | 30" | Tall Cabinet: 4 - 2" / 2 - 4" Drawers |
| 002-1974-03 | 36" | Tall Cabinet: 2 - 4" Drawers |
| 002-1974-04 | 30" | Tall Cabinet: All Drawers |
| 002-1974-05 | 36" | Tall Cabinet: All Drawers |
| 002-1974-06 | 18" | Tall Cabinet: All / 1 - File Drawer |
| 002-1974-07 | 21" | Tall Cabinet: All / 1 - File Drawer |
| 002-1974-08 | 24" | Tall Cabinet: All / 1 - File Drawer |
| 002-1974-09 | 30" | Tall Cabinet: All / 1 - File Drawer |
| 002-1974-10 | 36" | Tall Cabinet: All / 1 - File Drawer |
| 002-1974-11 | 18" | Tall Cabinet: All / 2 - File Drawers |
| 002-1974-12 | 21" | Tall Cabinet: All / 2 - File Drawers |
| 002-1974-13 | 24" | Tall Cabinet: All / 2 - File Drawers |
| 002-1974-14 | 30" | Tall Cabinet: All / 2 - File Drawers |
| 002-1974-15 | 36" | Tall Cabinet: All / 2 - File Drawers |

