

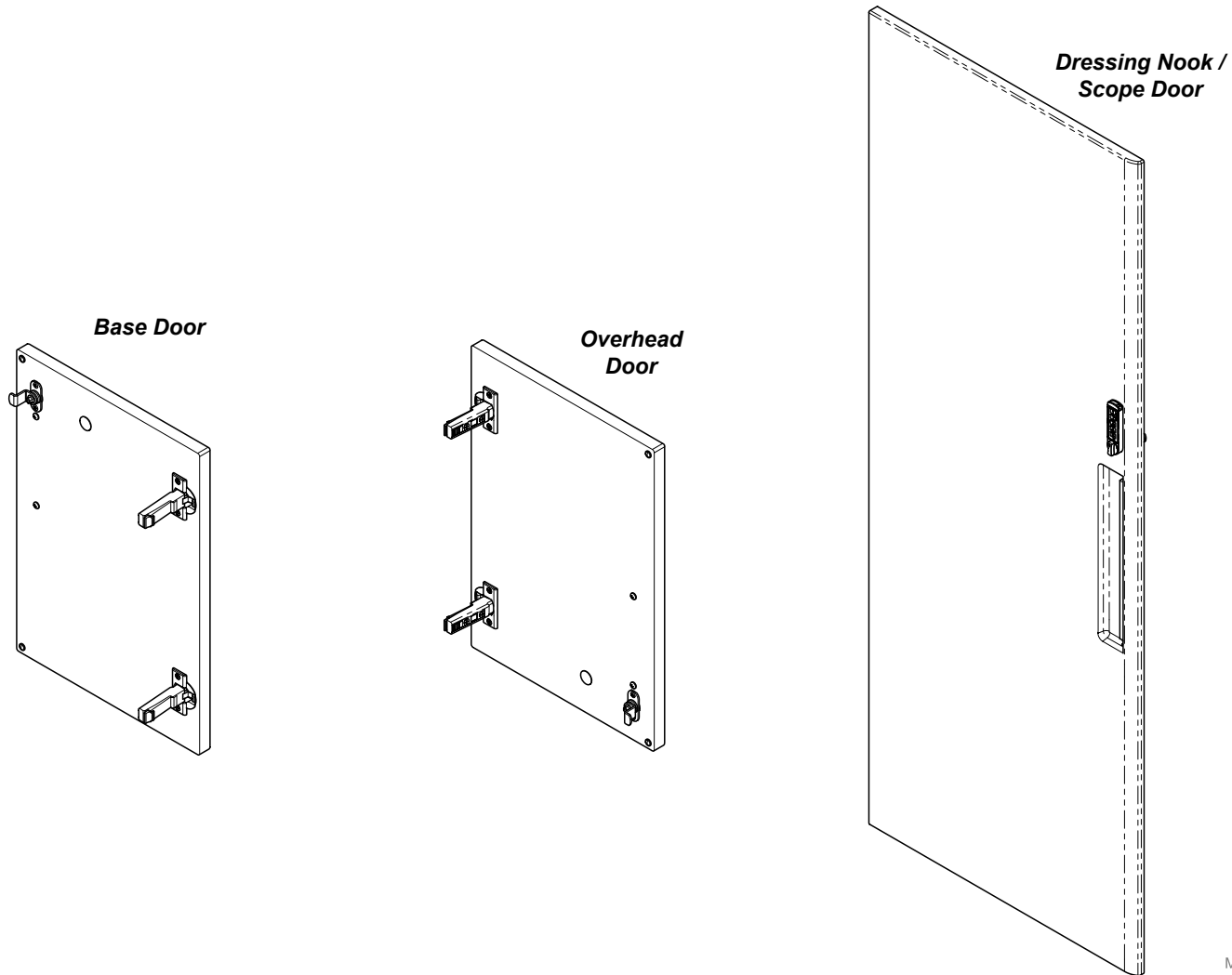


[002-1975-xx] Base, [002-1977-xx] Overhead, & [002-1982-00] Dressing Nook / Scope Single Door Keyless Lock Installation

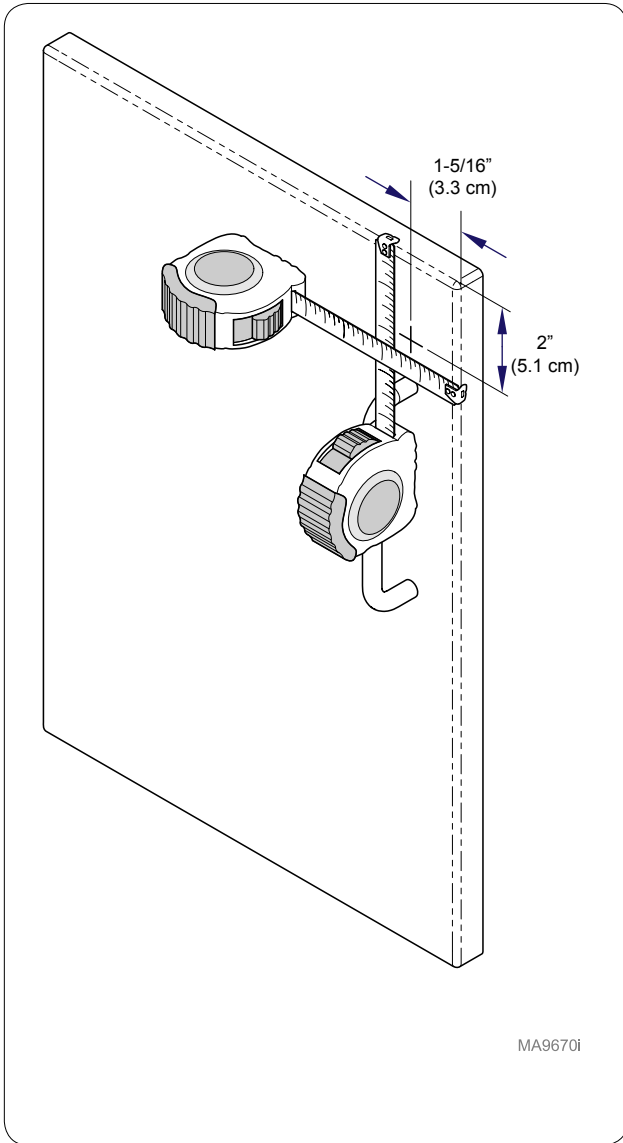
Contents:
Installation 1-3
Exploded View 4

Special Tools:
none

Language of origin: English



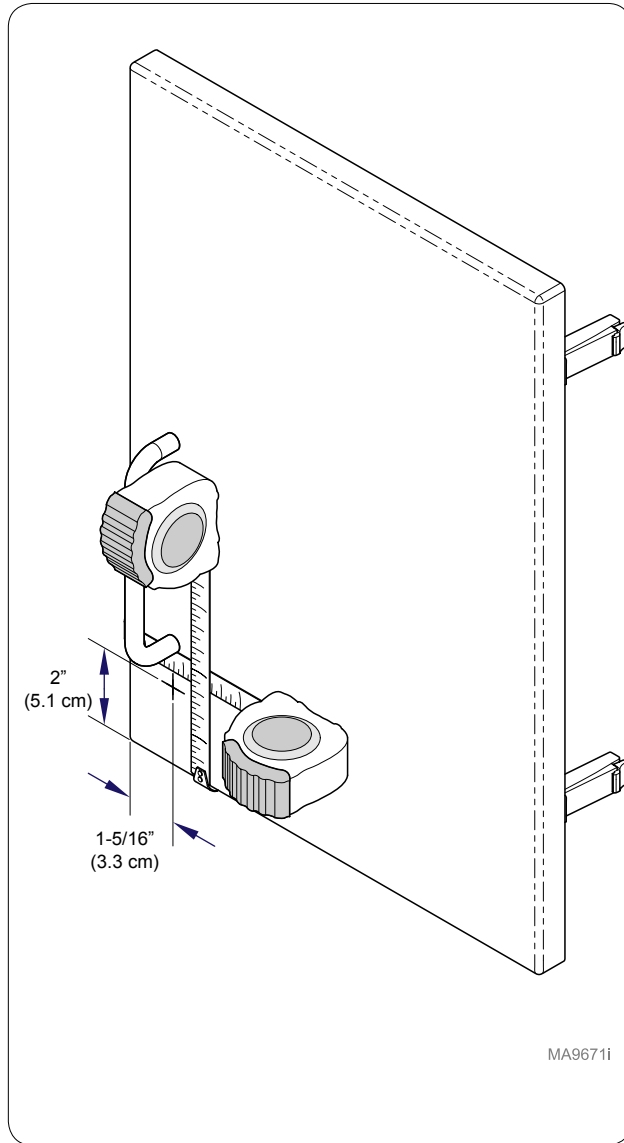
MA9854i



Step 1: Base Cabinet

Measure down from top of door 2" (5.1 cm) and mark door. Measure from edge of door 1-5/16" (3.3 cm) and mark door.

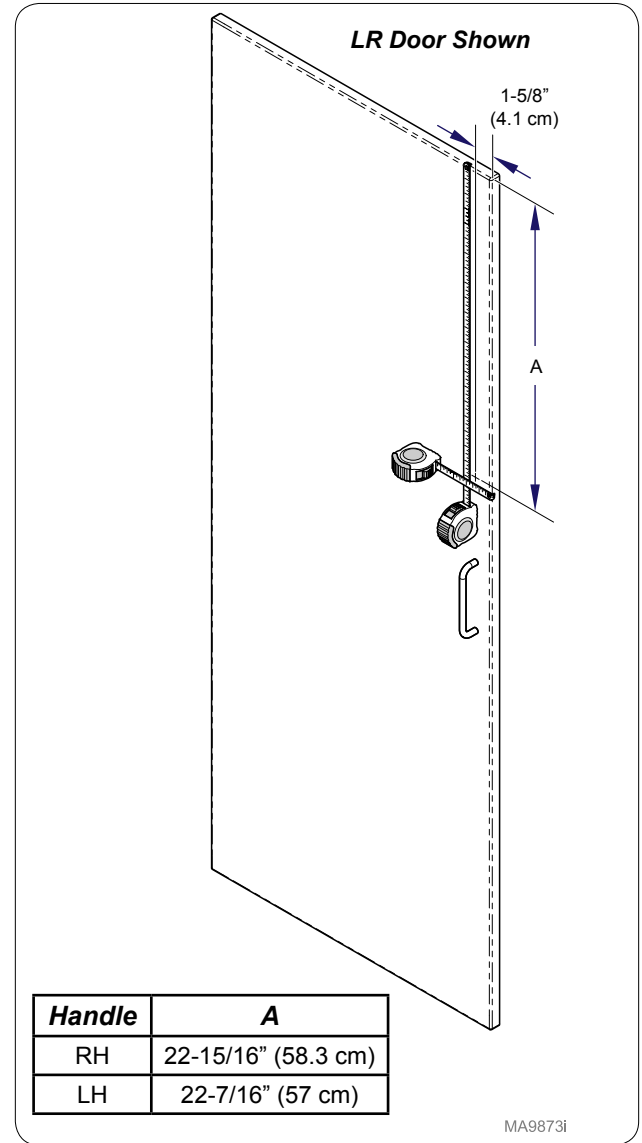
Note: May need to remove handle to make measurements.



Step 1: Overhead

Measure up from bottom of door 2" (5.1 cm) and mark door. Measure from edge of door 1-5/16" (3.3 cm) and mark door.

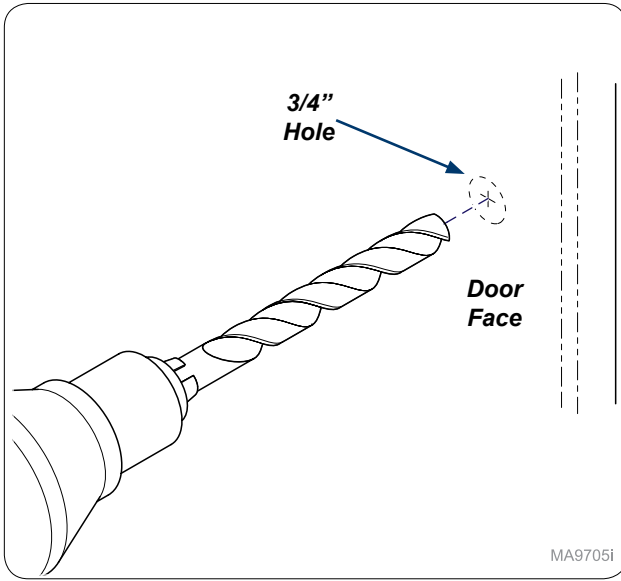
Note: May need to remove handle to make measurements.



Step 1: Dressing Nook

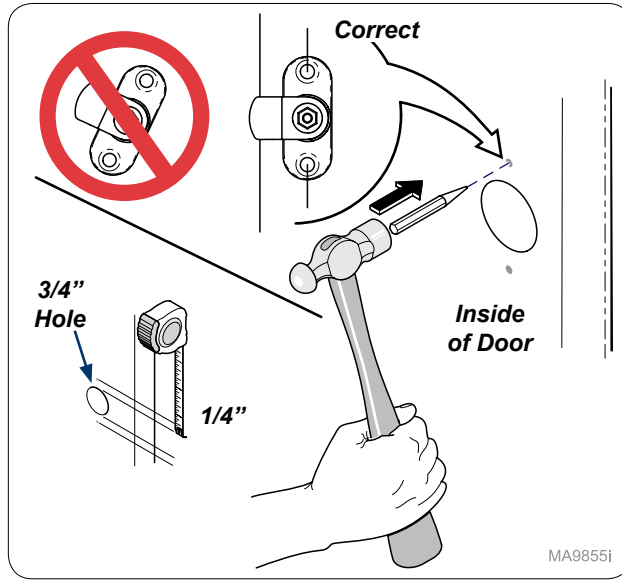
Measure down from top of door 22-11/16" (5.1 cm) and mark door. Measure from edge of door 1-5/16" (3.3 cm) and mark door.

Note: May need to remove handle to make measurements.



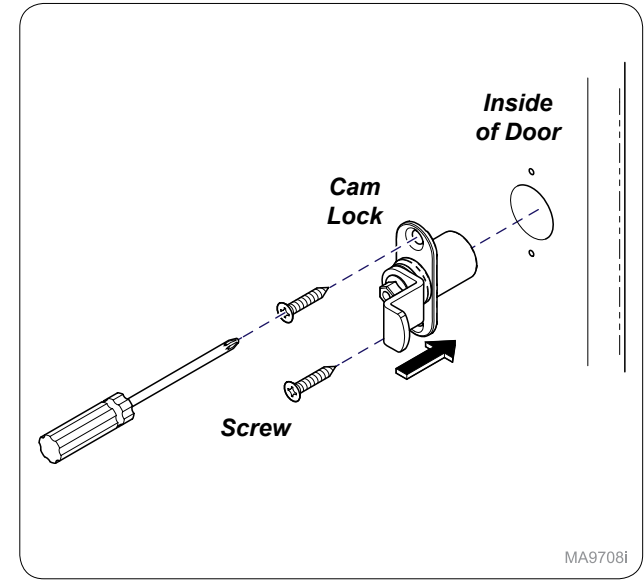
MA9705i

Step 2:
Drill 3/4" hole through door face.



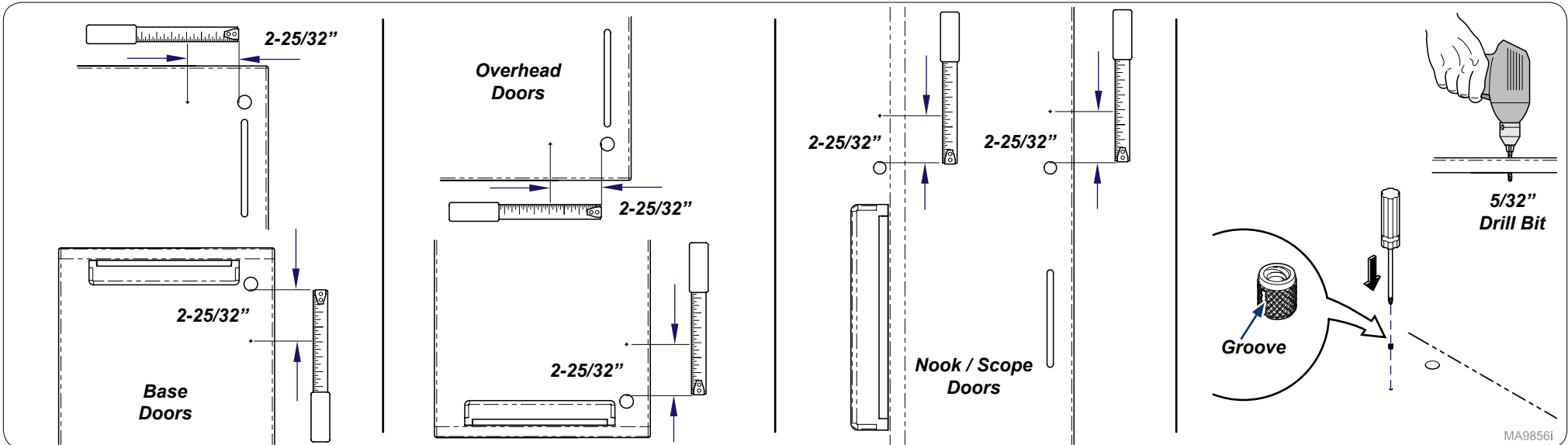
MA9855i

Step 3:
Measure 1/4" from 3/4" hole and mark as shown. Use hole punch and hammer to start mounting holes. **Note: Make sure mounting mark is parallel with edge of door.**



MA9708i

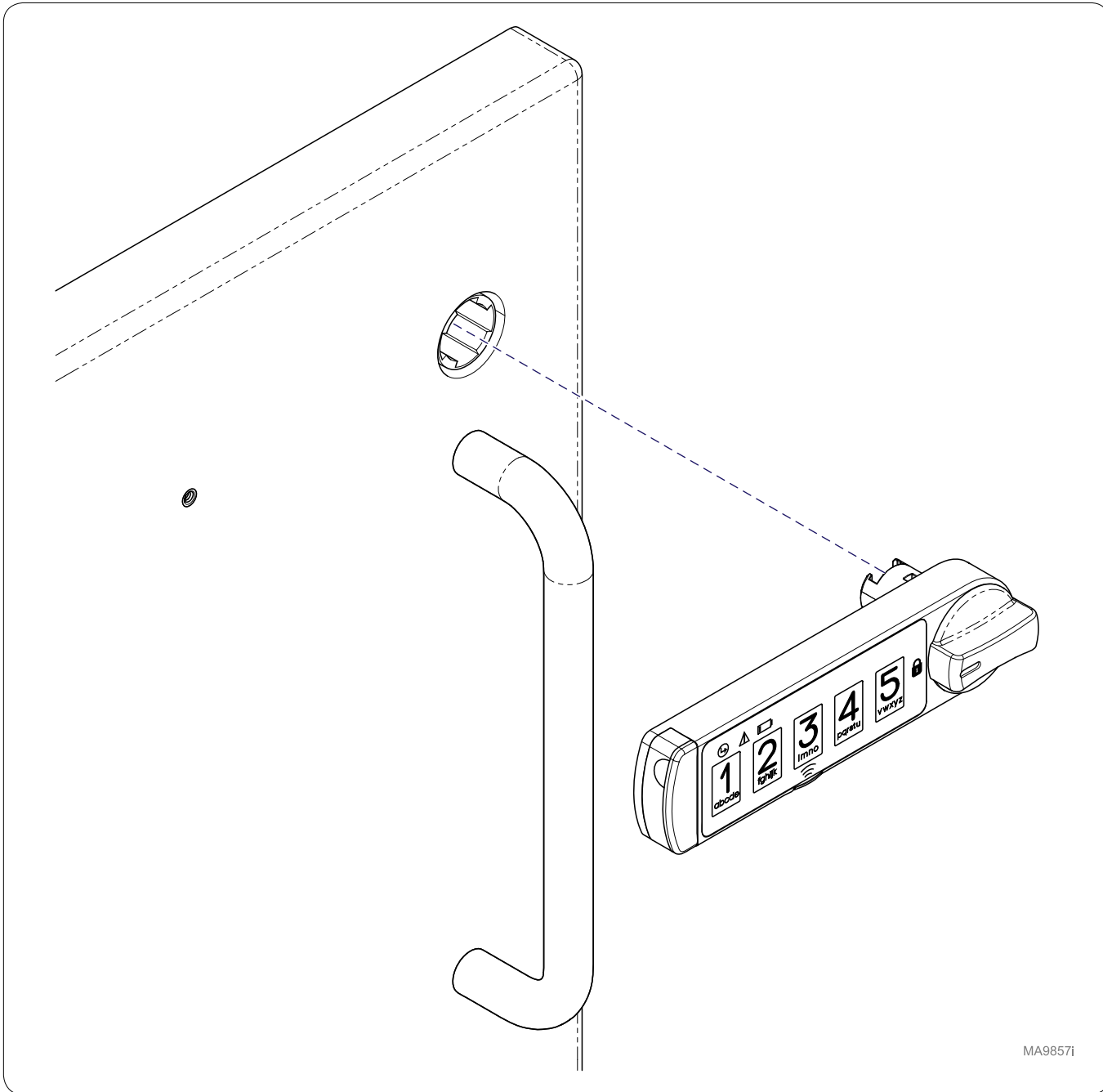
Step 4: (Base shown)
Install cam lock into inside of door and secure with screws (x2).



MA9856i

Step 5:
Measure 2-25/32" from 3/4" hole and mark hole as shown.

Step 6:
Drill 5/32" hole in door. Push Thread Insert groove first into door. **Note: Keep insert flush with mullion face.**

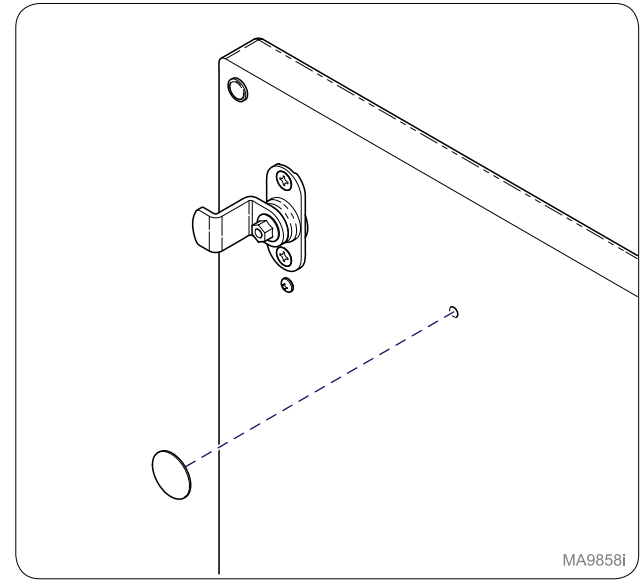


MA98571

Step 7: (Base shown)

Use manufacturer's instructions to assemble Keyless Lock.

Note: After assembling lock, continue to Step 8 to finish installation.

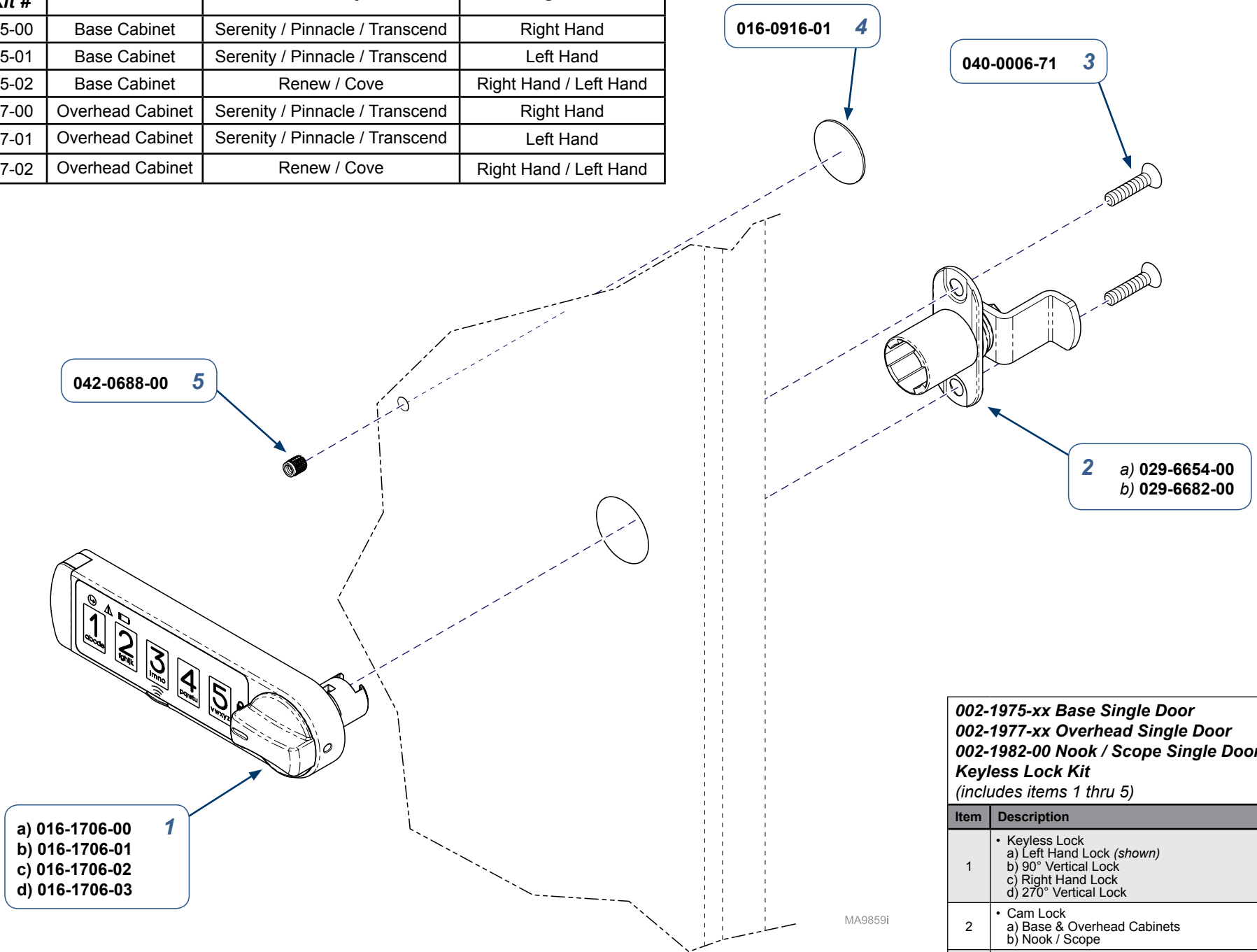


MA9858i

Step 8: (Base shown)

Install Cover Cap onto back side of door.

| Keyless Lock Kit # | Unit | Panel Style | Hinge Side |
|--------------------|------------------|---------------------------------|------------------------|
| 002-1975-00 | Base Cabinet | Serenity / Pinnacle / Transcend | Right Hand |
| 002-1975-01 | Base Cabinet | Serenity / Pinnacle / Transcend | Left Hand |
| 002-1975-02 | Base Cabinet | Renew / Cove | Right Hand / Left Hand |
| 002-1977-00 | Overhead Cabinet | Serenity / Pinnacle / Transcend | Right Hand |
| 002-1977-01 | Overhead Cabinet | Serenity / Pinnacle / Transcend | Left Hand |
| 002-1977-02 | Overhead Cabinet | Renew / Cove | Right Hand / Left Hand |



002-1975-xx Base Single Door
002-1977-xx Overhead Single Door
002-1982-00 Nook / Scope Single Door
Keyless Lock Kit
(includes items 1 thru 5)

| Item | Description | Qty. |
|------|---|------|
| 1 | • Keyless Lock a) Left Hand Lock (<i>shown</i>) b) 90° Vertical Lock c) Right Hand Lock d) 270° Vertical Lock | 1 |
| 2 | • Cam Lock a) Base & Overhead Cabinets b) Nook / Scope | 1 |
| 3 | • Screw (#6 x 5/8") | 2 |
| 4 | • Cover Cap | 1 |
| 5 | • Press-Fit Thread Insert | 1 |

Serial Numbers / Dates: all

TP200 Rev. A