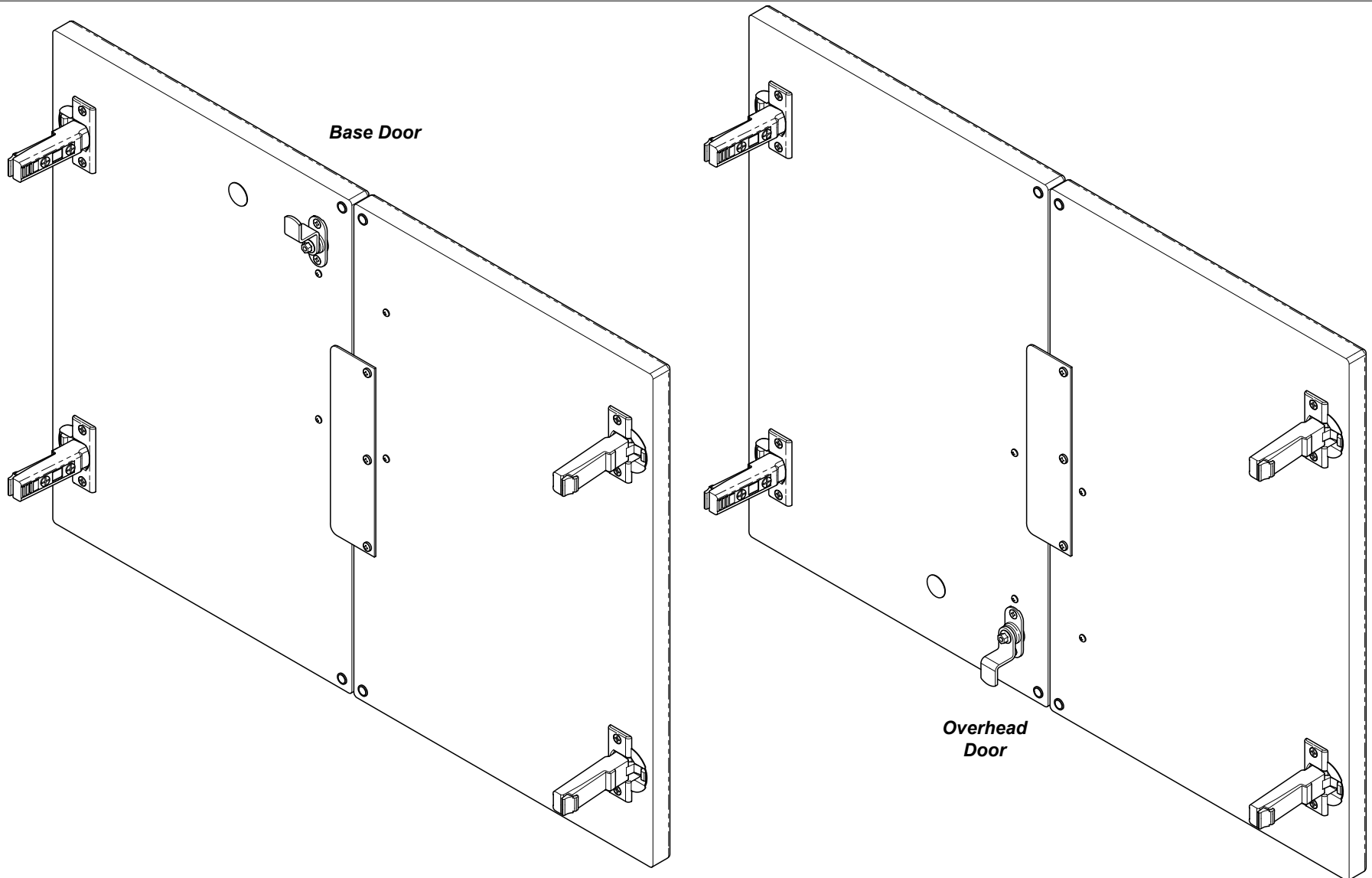


# [002-1976-xx] Base & [002-1978-xx] Overhead Double Door Keyless Lock Installation

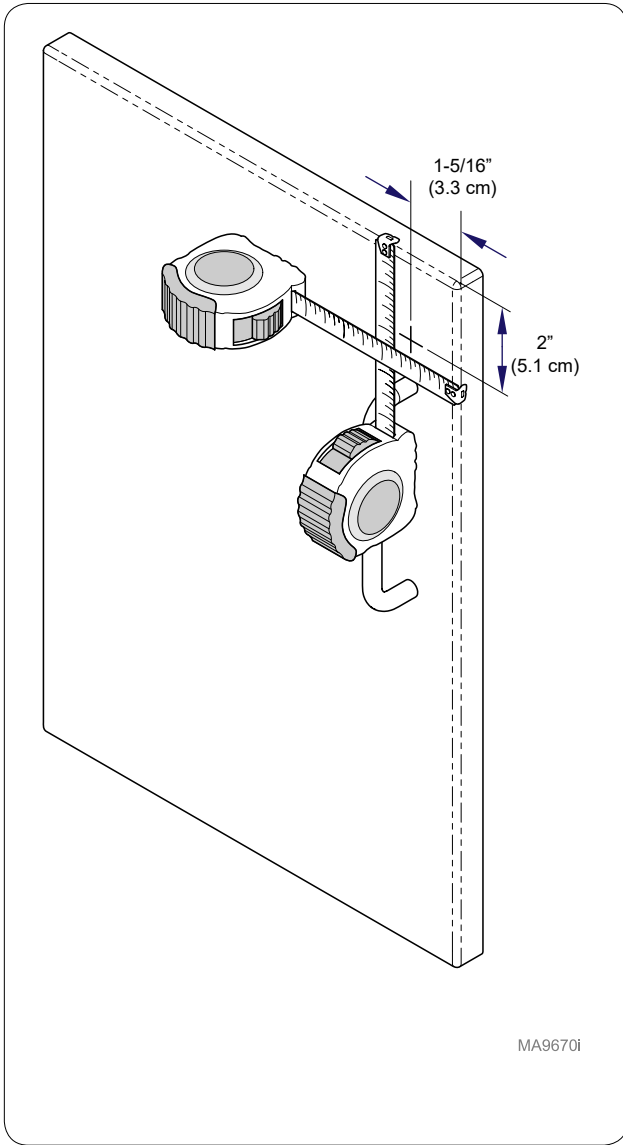
**Contents:**  
Installation ..... 1-4  
Exploded View ..... 5

**Special Tools:**  
none

Language of origin: English



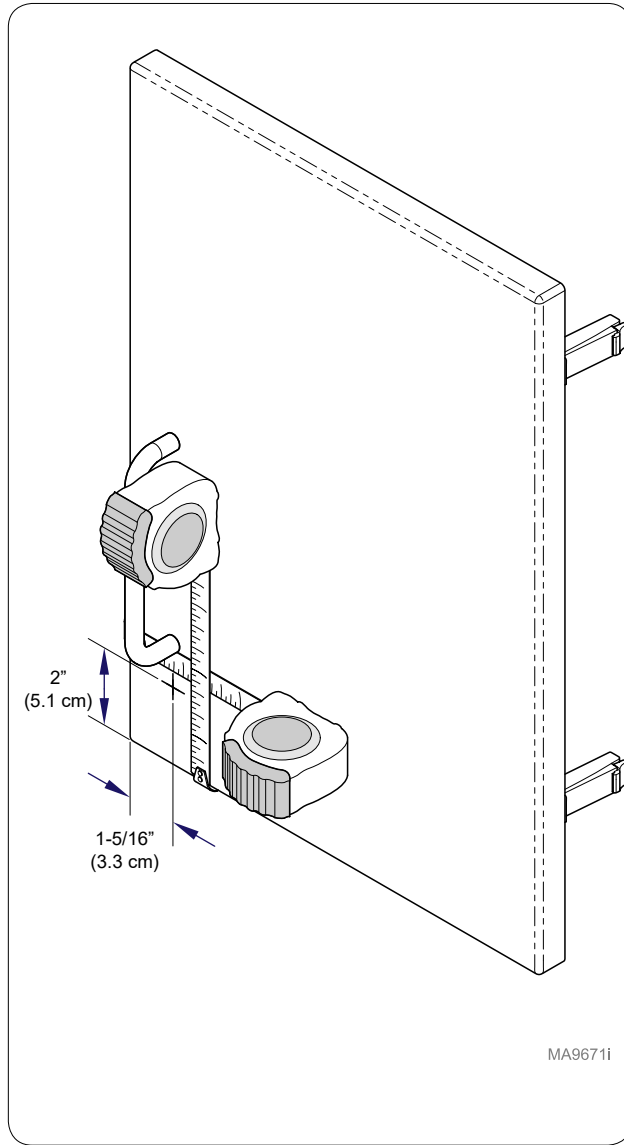
MA9860i



### Step 1: Base Cabinet

Measure down from top of door 2" (5.1 cm) and mark door. Measure from edge of door 1-5/16" (3.3 cm) and mark door.

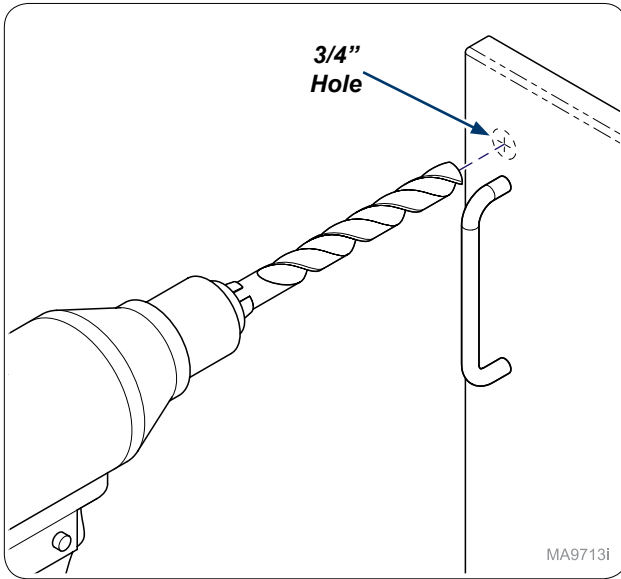
**Note: May need to remove handle to make measurements.**



### Step 1: Overhead

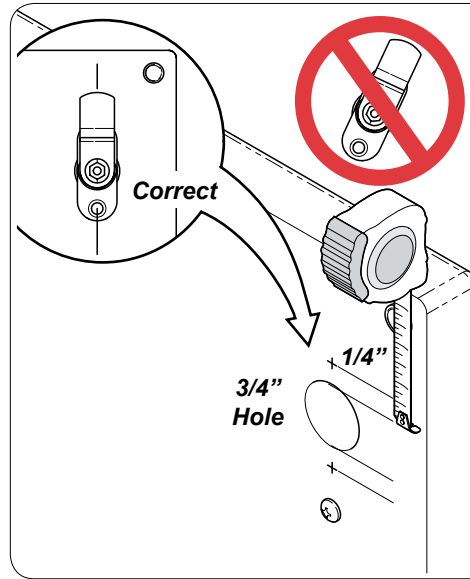
Measure up from bottom of door 2" (5.1 cm) and mark door. Measure from edge of door 1-5/16" (3.3 cm) and mark door.

**Note: May need to remove handle to make measurements.**



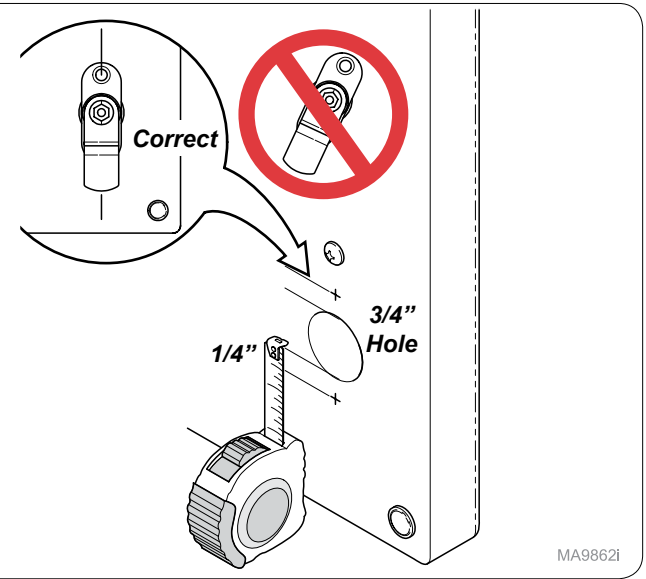
MA9713i

**Step 2:**  
Drill 3/4" hole through front of door.



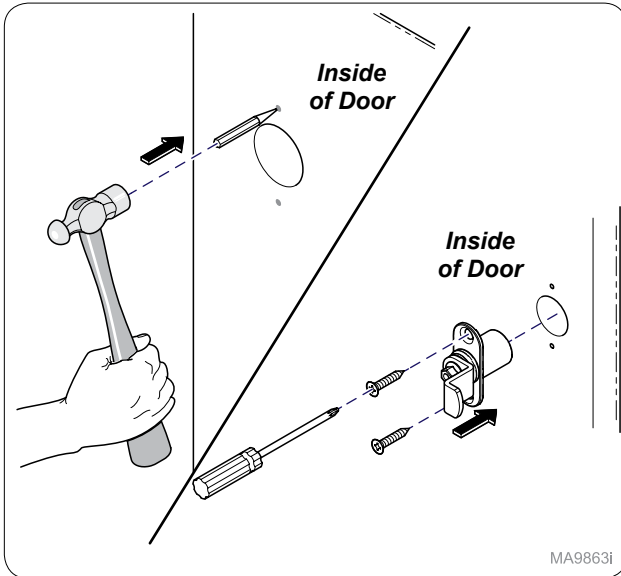
MA9861i

**Step 3: Base Door**  
Measure 1/4" from 3/4" hole and mark as shown.  
**Note: Make sure mounting mark is parallel with edge of door.**



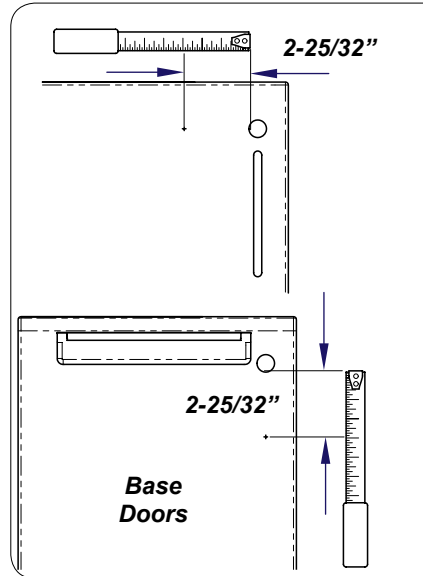
MA9862i

**Step 3: Overhead**  
Measure 1/4" from 3/4" hole and mark as shown.  
**Note: Make sure mounting mark is parallel with edge of door.**

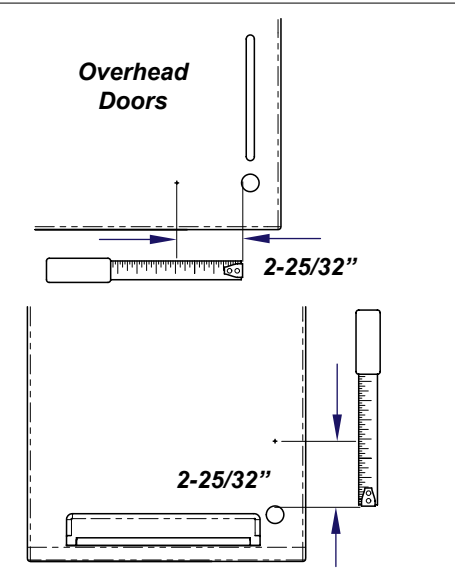


MA9863i

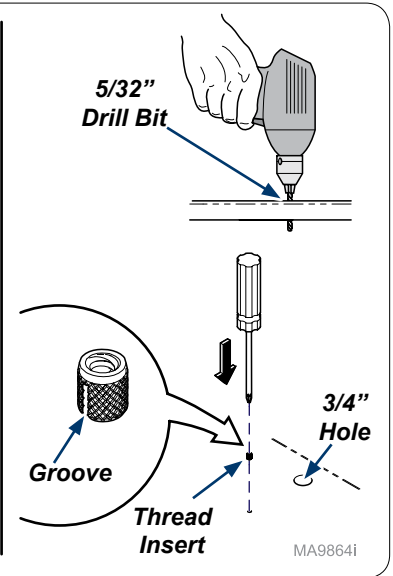
**Step 4:**  
Use hole punch and hammer to start mounting holes. Install cam lock into inside of door and secure with screws (x2).



**Step 5:**  
Measure 2-25/32" from 3/4" hole and mark hole as shown.

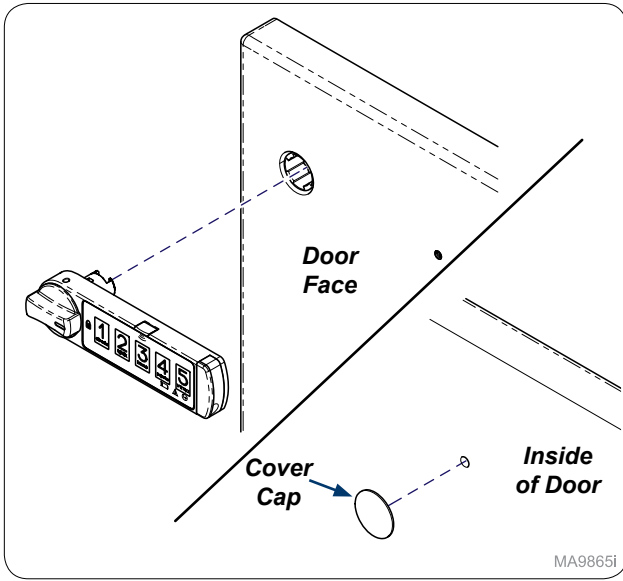


**Step 6:**  
Drill 5/32" hole in door. Push Thread Insert groove first into door. **Note: Keep insert flush with mullion face.**



MA9864i

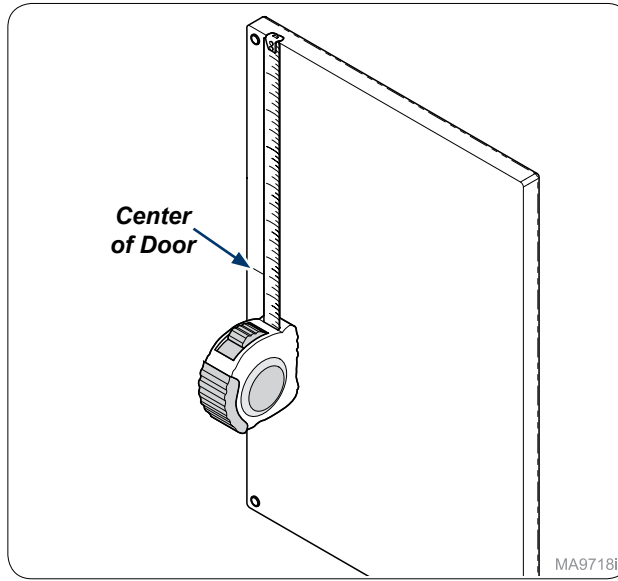
TP200 Rev. A



MA9865i

**Step 7: (Base shown)**

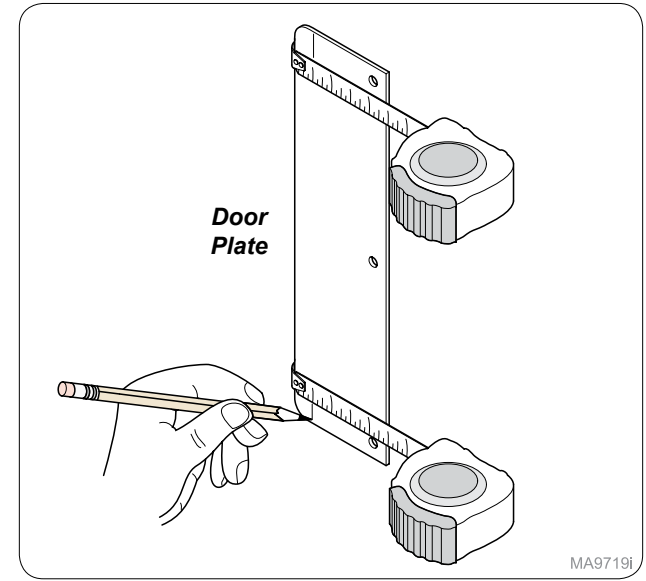
Use manufacturer's instructions to assemble Keyless Lock. Place cover cap on inside of door. **Note: After assembling lock, continue to Step 8 to finish installation.**



MA9718i

**Step 8:**

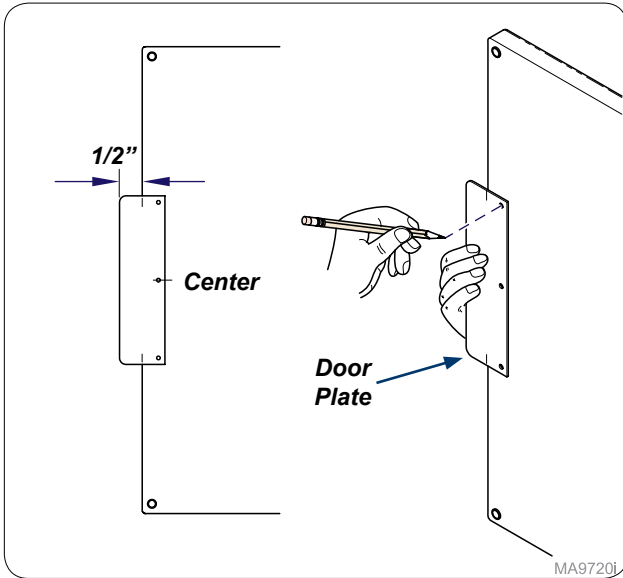
Measure down to find center of opposite door.



MA9719j

**Step 9:**

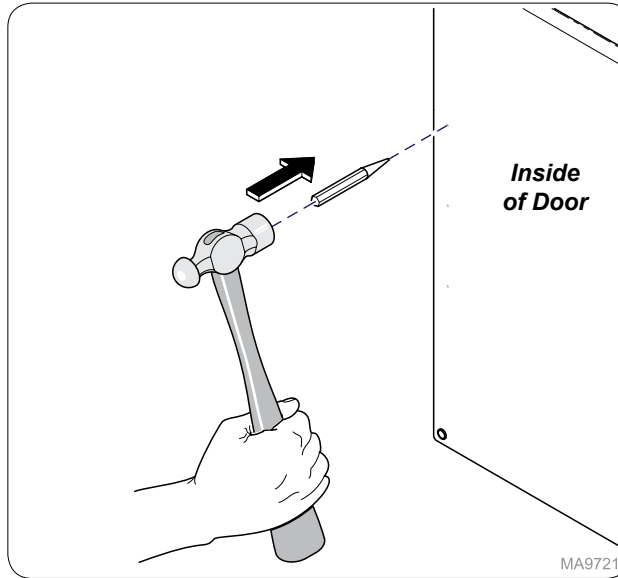
On door plate measure and mark 1/2".



MA9720j

**Step 10:**

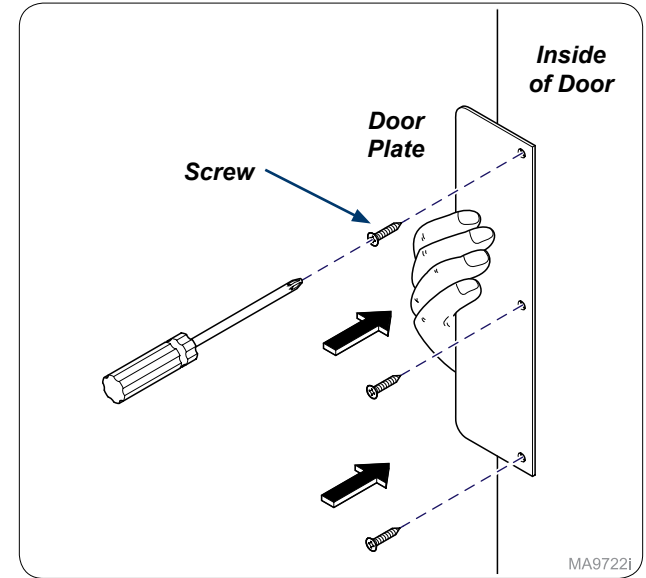
Using mark on door plate and center mark on door place door plate on inside of door and mark hole locations.



MA9721j

**Step 11:**

Use hole punch and hammer to start mounting holes.

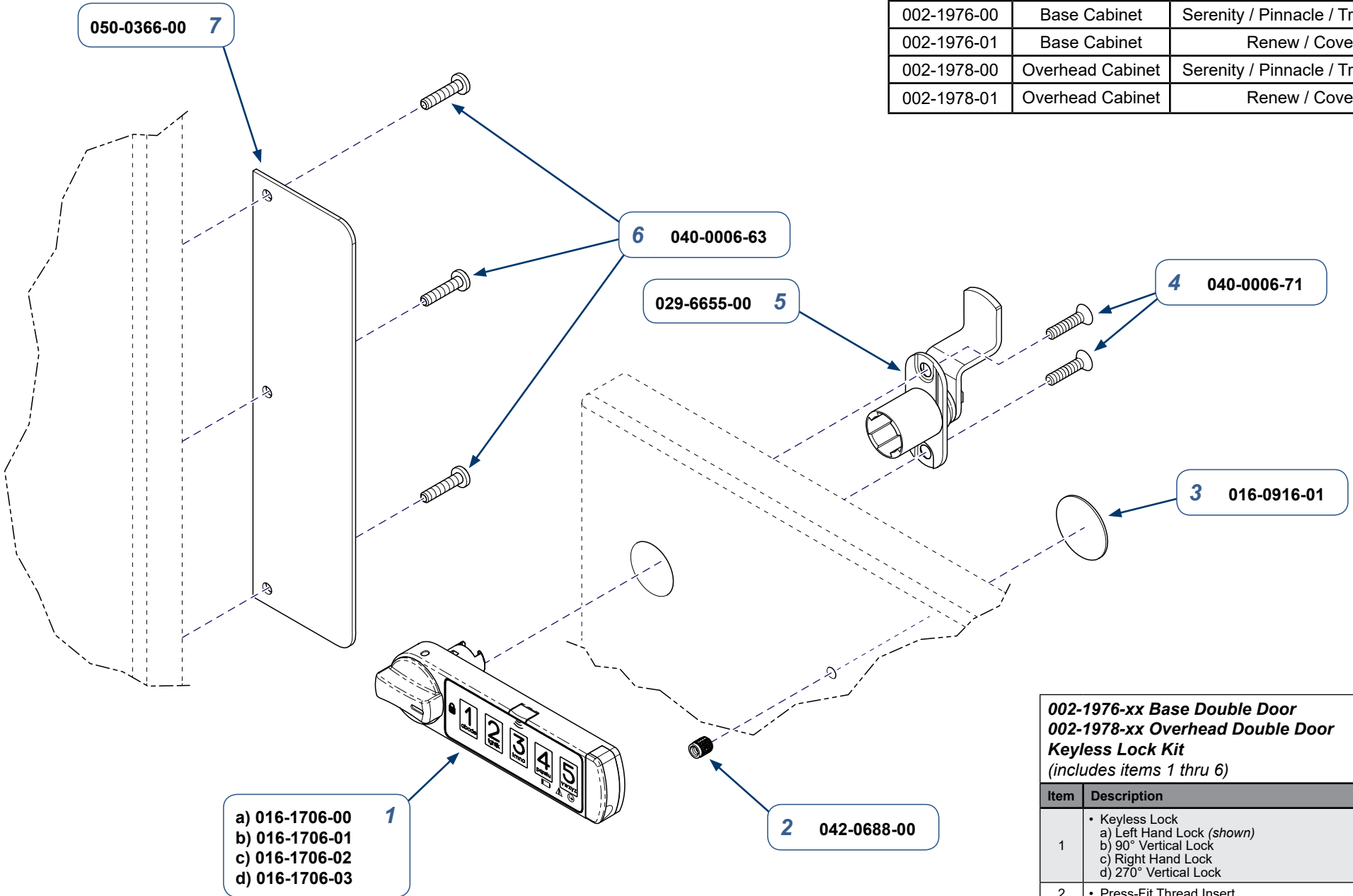


MA9722j

**Step 12:**

Install door plate onto inside of door and secure with screws (x3).

Keyless Lock Kit #	Unit	Panel Style
002-1976-00	Base Cabinet	Serenity / Pinnacle / Transcend
002-1976-01	Base Cabinet	Renew / Cove
002-1978-00	Overhead Cabinet	Serenity / Pinnacle / Transcend
002-1978-01	Overhead Cabinet	Renew / Cove



**002-1976-xx Base Double Door**  
**002-1978-xx Overhead Double Door**  
**Keyless Lock Kit**  
*(includes items 1 thru 6)*

Item	Description	Qty.
1	• Keyless Lock a) Left Hand Lock ( <i>shown</i> ) b) 90° Vertical Lock c) Right Hand Lock d) 270° Vertical Lock	1
2	• Press-Fit Thread Insert	1
3	• Cover Cap	1
4	• Flat Head Screw (#6 x 5/8")	2
5	• Cam Lock	3
6	• Pan Head Screw (#6 x 5/8")	1
7	• Door Plate	1

**Serial Numbers / Dates:** all

MA9866i

TP200 Rev. A