

# [002-1979-00] Tall Unit & [002-1980-xx] Tall Split / Tall Overhead Single Door Keyless Lock Installation

## Contents:

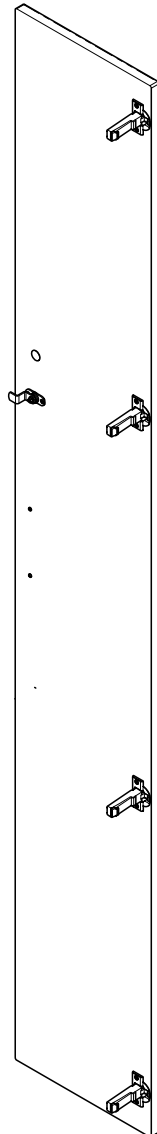
Installation ..... 1-3  
Exploded View ..... 4

## Special Tools:

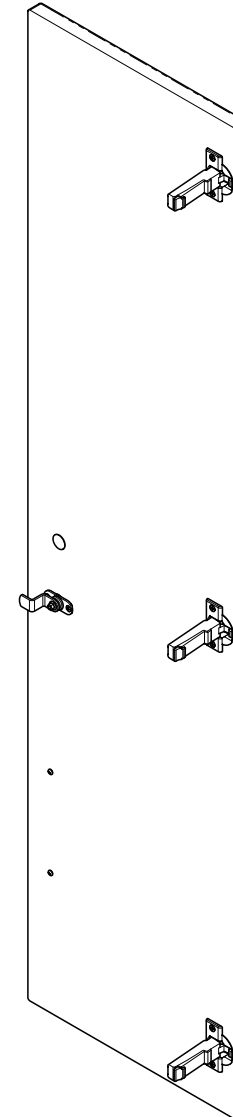
none

Language of origin: English

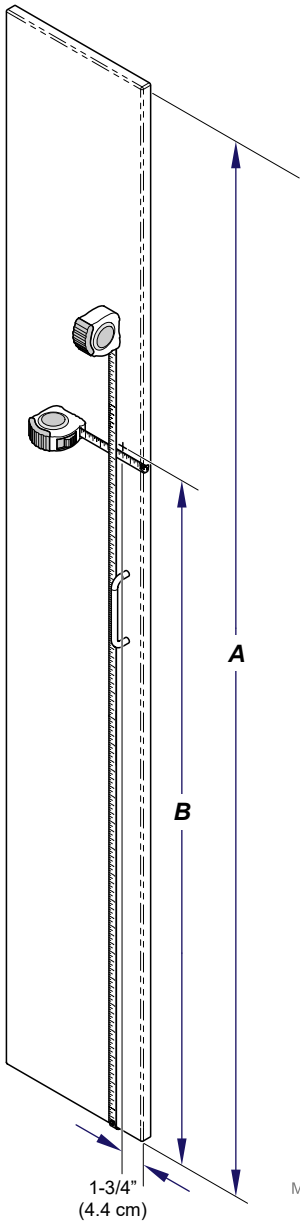
Tall Unit



Tall Split / Tall Overhead



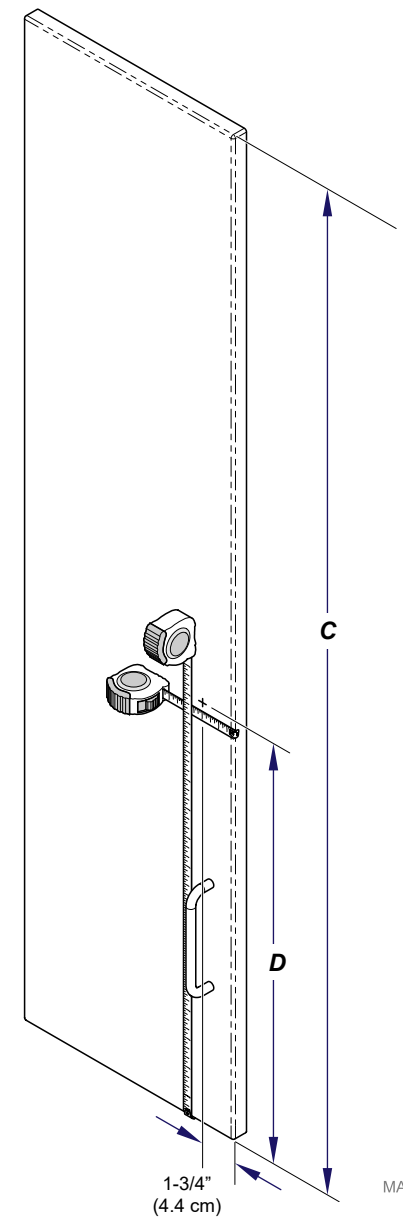
MA9867i



(A) Door Length	(B) Lock Location
79-3/4" (202.6 cm)	51-1/16" (129.7 cm)
67-3/4" (172.1 cm)	45-1/16" (114.5 cm)

MA9728i

(C) Door Length	(D) Lock Location
49-3/8" (125.4 cm)	20-11/16" (52.5 cm)
37-3/8" (94.9 cm)	14-11/16" (37.3 cm)



MA9729i

### Step 1: Tall Unit

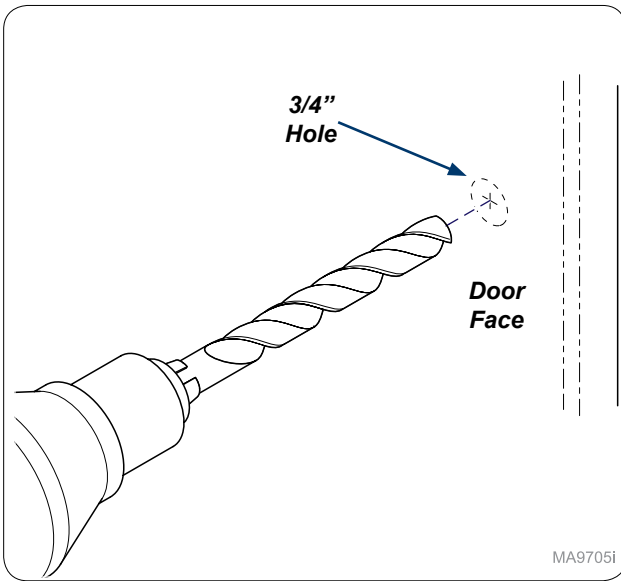
Measure from edge of door 1-3/4" (4.4 cm) and mark door. Use chart to measure from bottom of door up to mark door.

**Note: May need to remove handle to make measurements.**

### Step 1: Tall Split / Tall Overhead

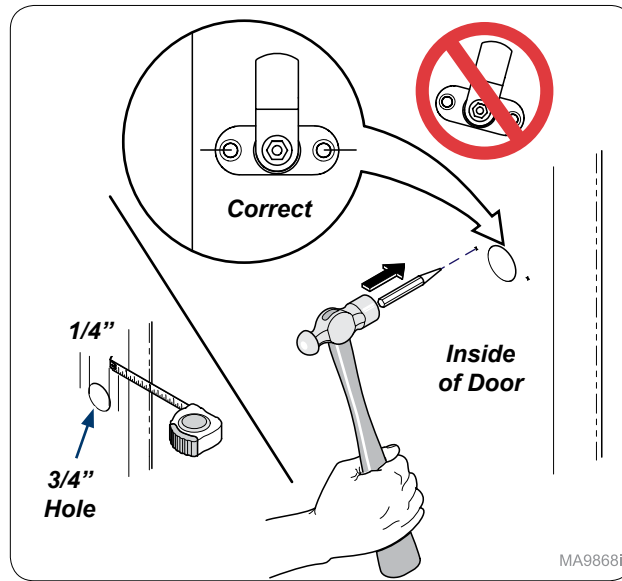
Measure from edge of door 1-3/4" (4.4 cm) and mark door. Use chart to measure from bottom of door up to mark door.

**Note: May need to remove handle to make measurements.**



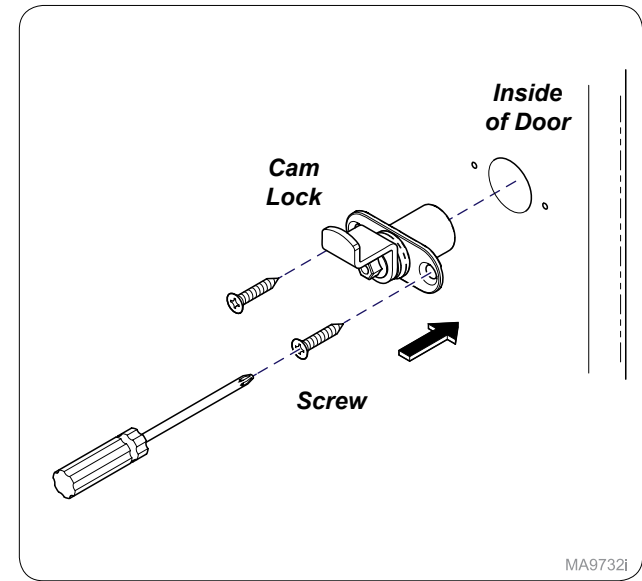
MA9705i

**Step 2:**  
Drill 3/4" hole through door face.



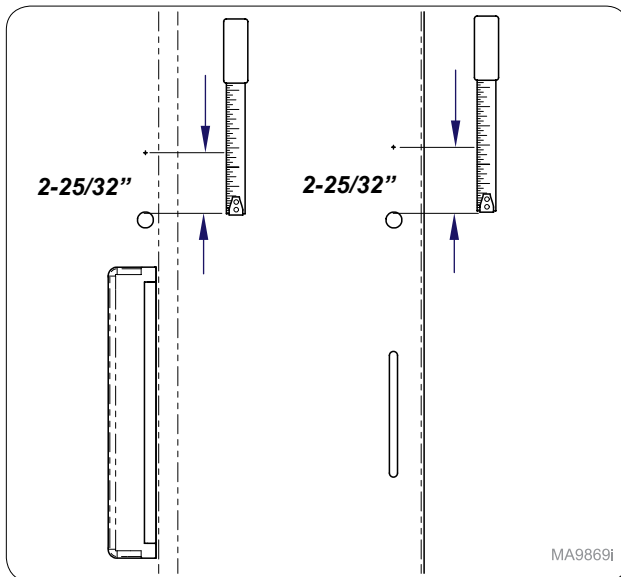
MA9868i

**Step 3:**  
Measure 1/4" from 3/4" hole and mark as shown. Use hole punch and hammer to start mounting holes. **Note: Make sure mounting mark are as shown on door.**



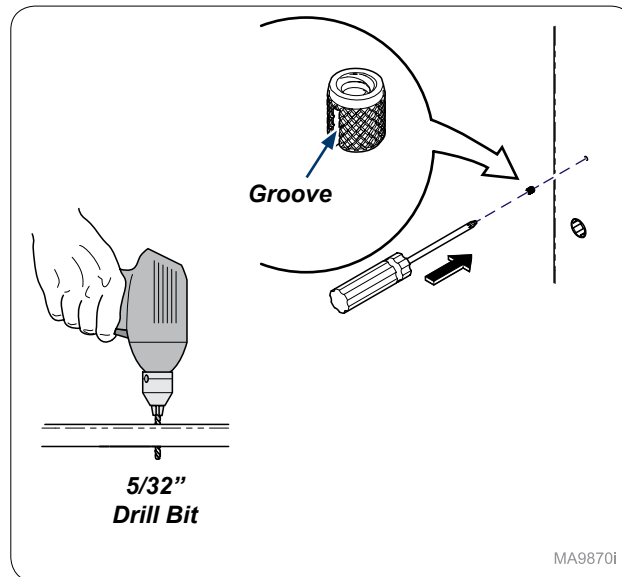
MA9732i

**Step 4:**  
Install cam lock into inside of door and secure with screws (x2).



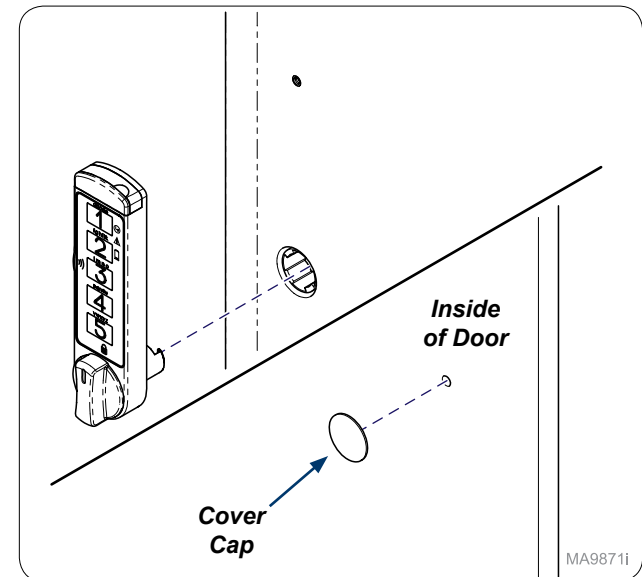
MA9869i

**Step 5:**  
Measure 2-25/32" from 3/4" hole and mark hole as shown.



MA9870i

**Step 6:**  
Drill 5/32" hole in door. Push Thread Insert groove first into door. **Note: Keep insert flush with door face.**



MA9871i

**Step 7:**  
Use manufacture's instructions to assemble Keyless Lock. **Note: After assembling lock, Place cover cap on inside of door to cover hole drilled for insert.**

016-0916-01 3

042-0688-00 2

4 040-0006-71

5 SEE CHART

1 016-1706-01

Keyless Lock Kit #	Cam	Where Used
002-1979-00	029-6682-01	Tall Cabinet Single Door
002-1980-00	029-6654-00	Only 37.375" Tall Cabinet Split and Tall Cabinet Window Doors - Serenity / Pinnacle / Transcend
002-1980-01	029-6682-01	All other Tall Cabinet Split and Tall Overhead Single Doors

Item	Description	Qty.
1	• 90° Vertical Keyless Lock	1
2	• Press-Fit Thread Insert	1
3	• Cover Cap	1
4	• Screw (#6 x 5/8")	2
5	• Cam Lock	2

**Serial Numbers / Dates:** all

MA9872i