

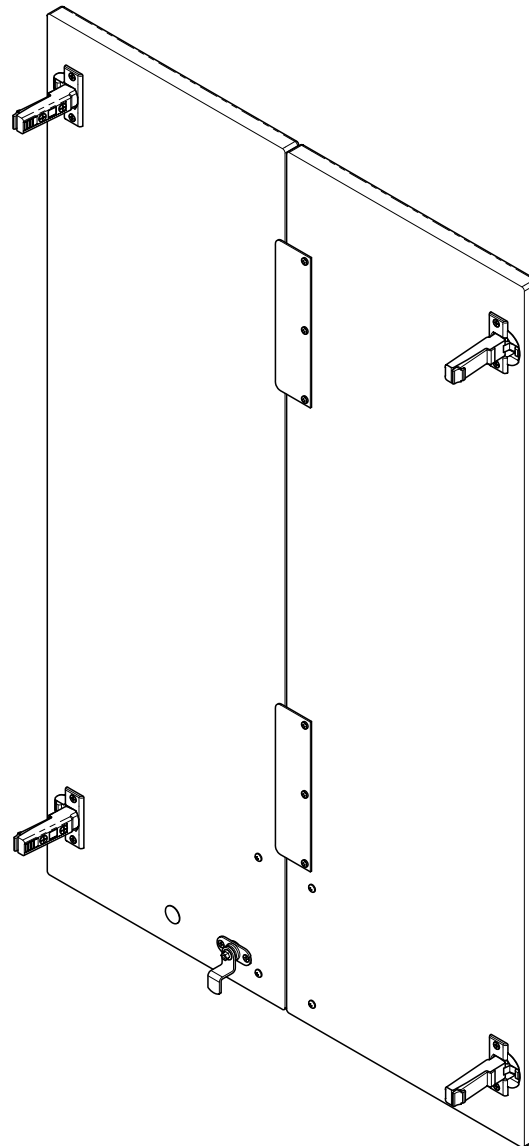


# [002-1981-00] Tall Split Double Door Keyless Lock Installation

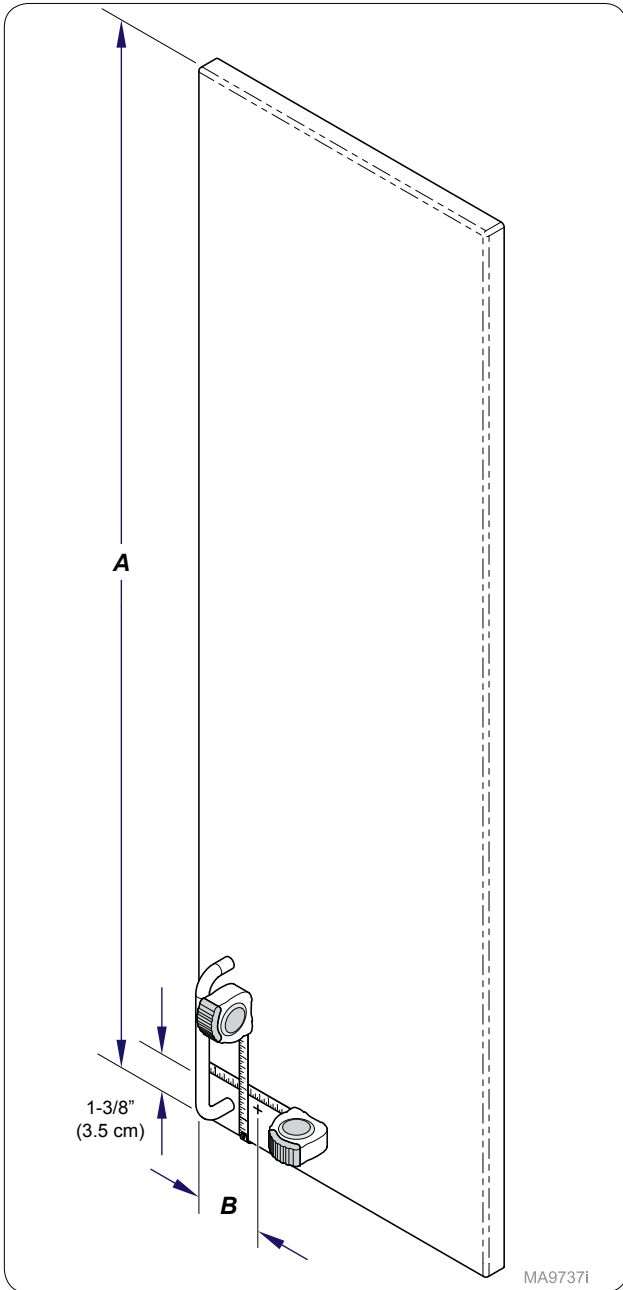
**Contents:**  
Installation ..... 1-4  
Exploded View ..... 5

**Special Tools:**  
none

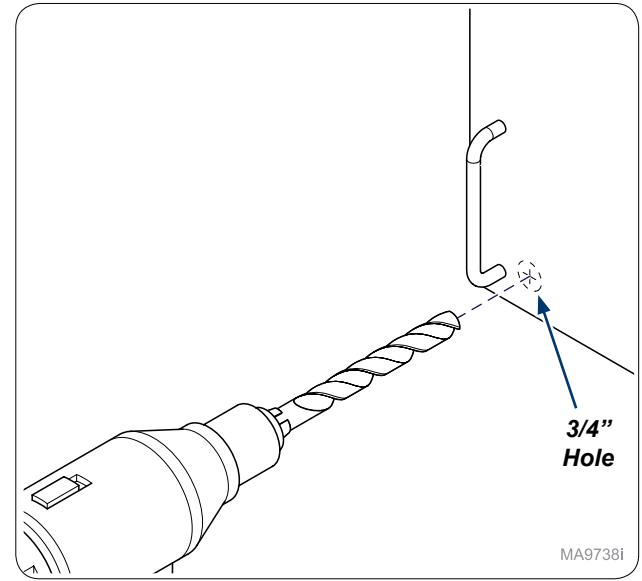
Language of origin: English



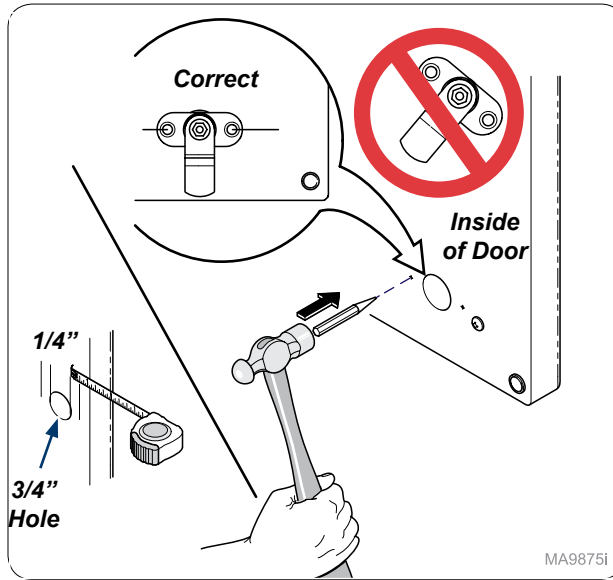
MA9874i



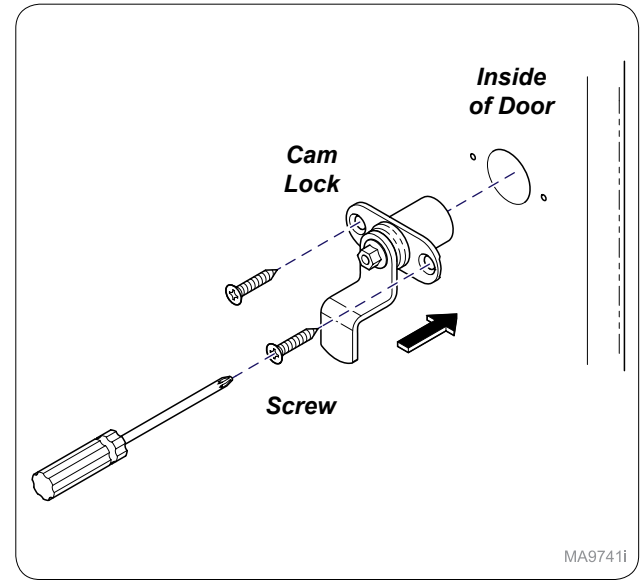
(A) Door Length	(B) Lock Location	Handle
49-3/8" (125.4 cm)	1-3/4" (4.4 cm)	All
37-3/8" (172.1 cm)	1-3/4" (4.4 cm)	Integrated
37-3/8" (172.1 cm)	2-1/2" (6.4 cm)	Attached



**Step 2:**  
Drill 3/4" hole through front of door.

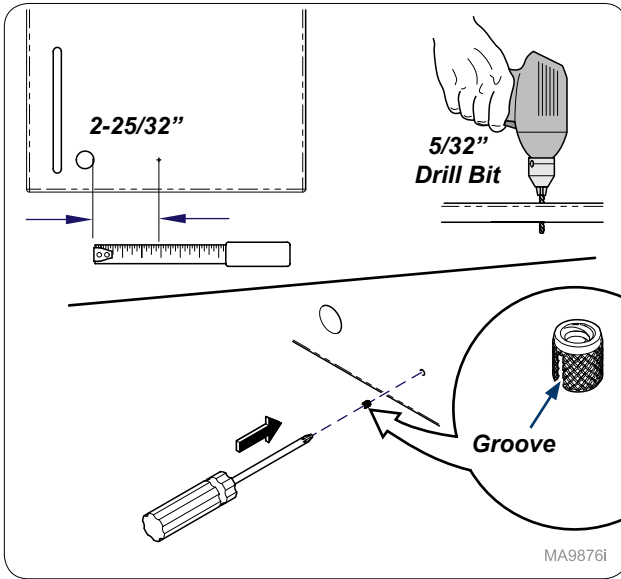


**Step 3:**  
Measure 1/4" from 3/4" hole and mark as shown. Use hole punch and hammer to start mounting holes. **Note: Make sure mounting mark are as shown on door.**

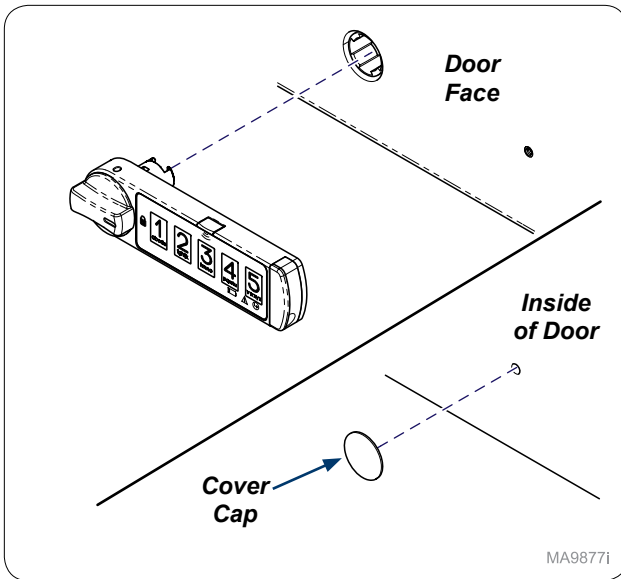


**Step 5:**  
Install cam lock into inside of door and secure with screws (x2).

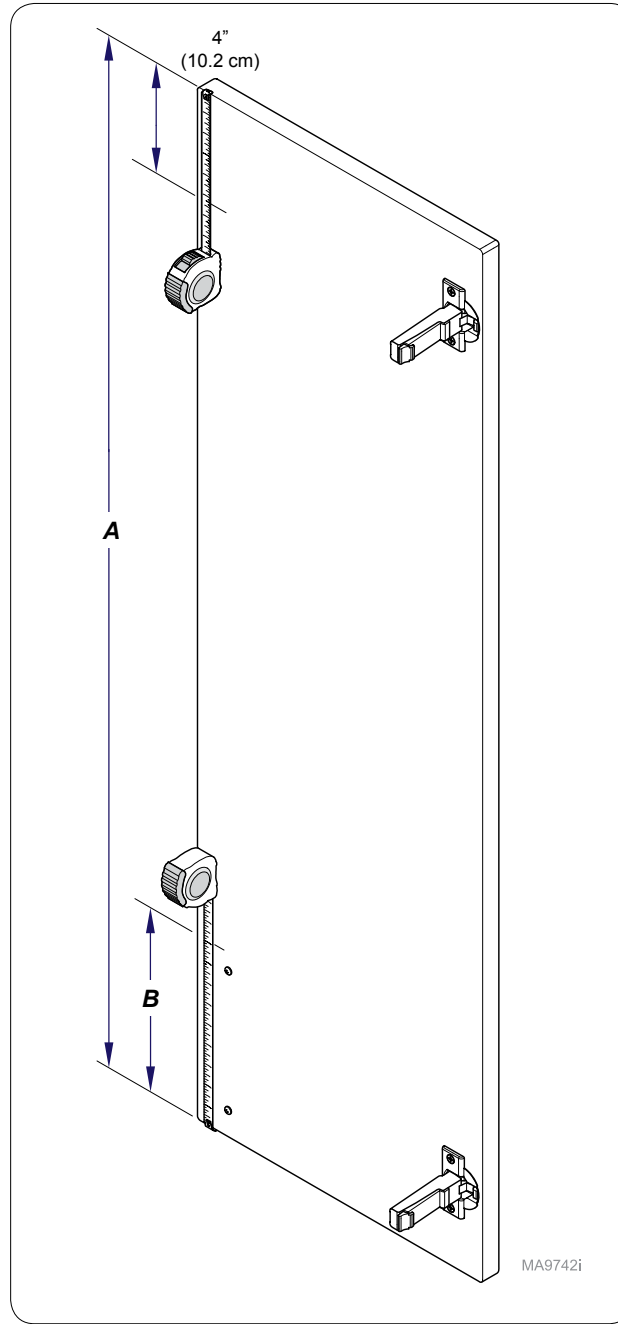
**Step 1: Attached Handle (shown)**  
Measure up from bottom of door 1-3/8" (3.5 cm) and mark door. Use chart to measure from edge of door in and mark door.  
**Note: May need to remove handle to make measurements.**



**Step 5:**  
 Measure 2-25/32" from 3/4" hole and mark hole as shown. Drill 5/32" hole in door. Push Thread Insert groove first into door. **Note:** Keep insert flush with door face.

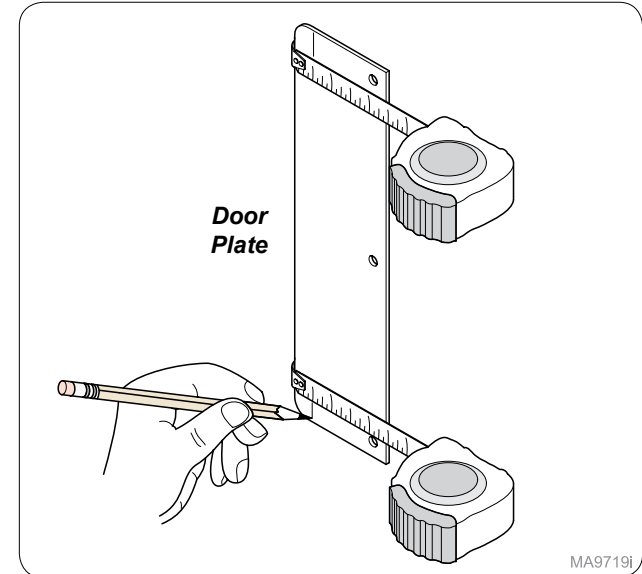


**Step 6:**  
 Use manufacture's instructions to assemble Keyless Lock. Place cover cap on inside of door. **Note:** After assembling lock, continue to Step 7 to finish installation.

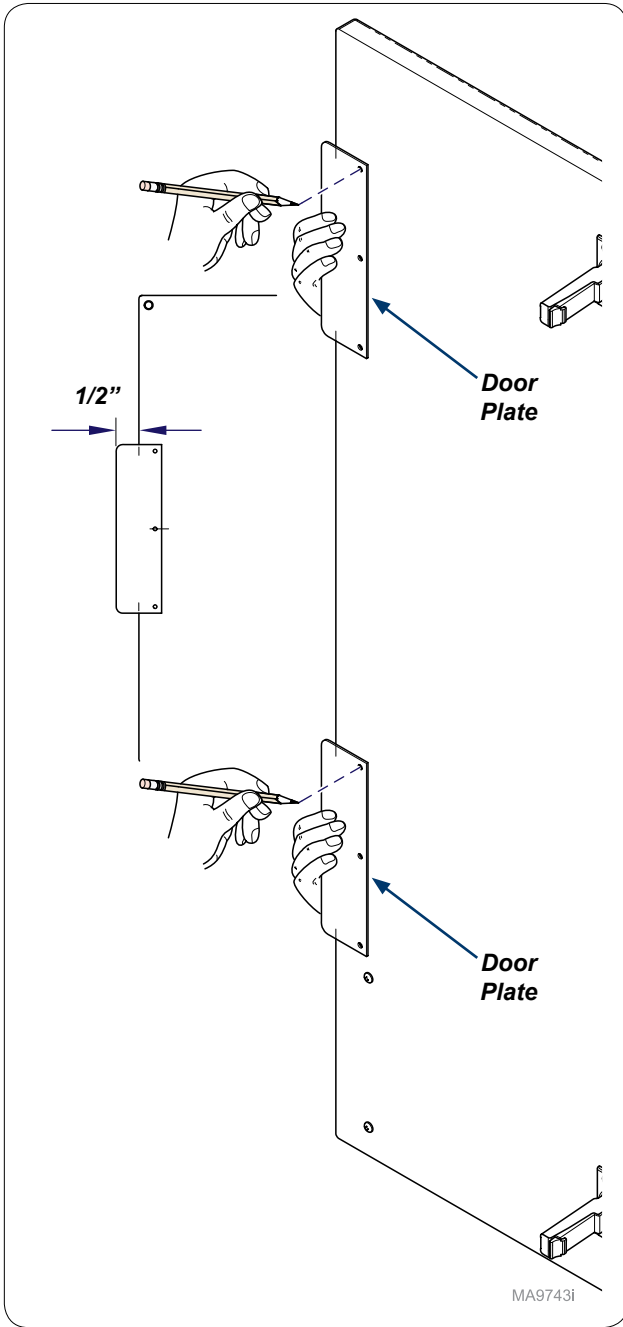


**Step 7: Attached Handle (shown)**  
 Measure down from top of door 4" (10.2 cm) and mark for top edge of door plate. Use chart to measure from bottom of door up and mark door.

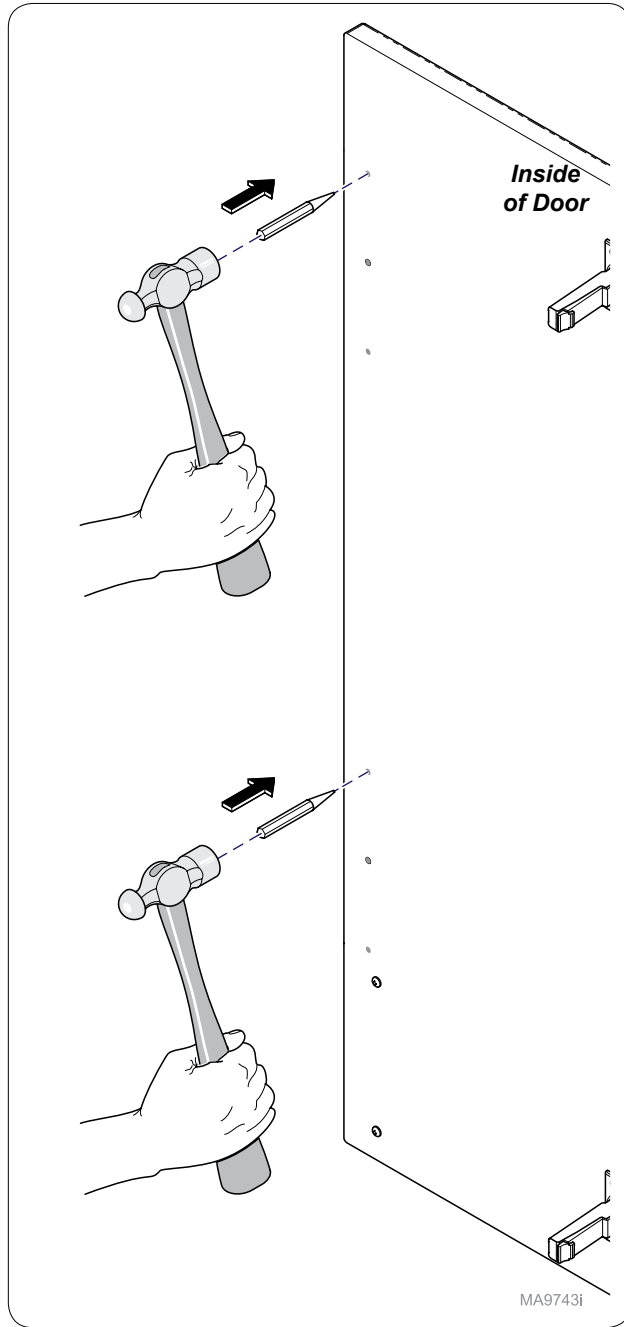
(A) Door Length	(B) Door Plate	Handle
49-3/8" (125.4 cm)	16-5/8" (42.2 cm)	Integrated
37-3/8" (172.1 cm)	10-1/4" (26 cm)	Integrated
49-3/8" (125.4 cm)	12-3/4" (32.4 cm)	Attached
37-3/8" (172.1 cm)	6-3/4" (17.1 cm)	Attached



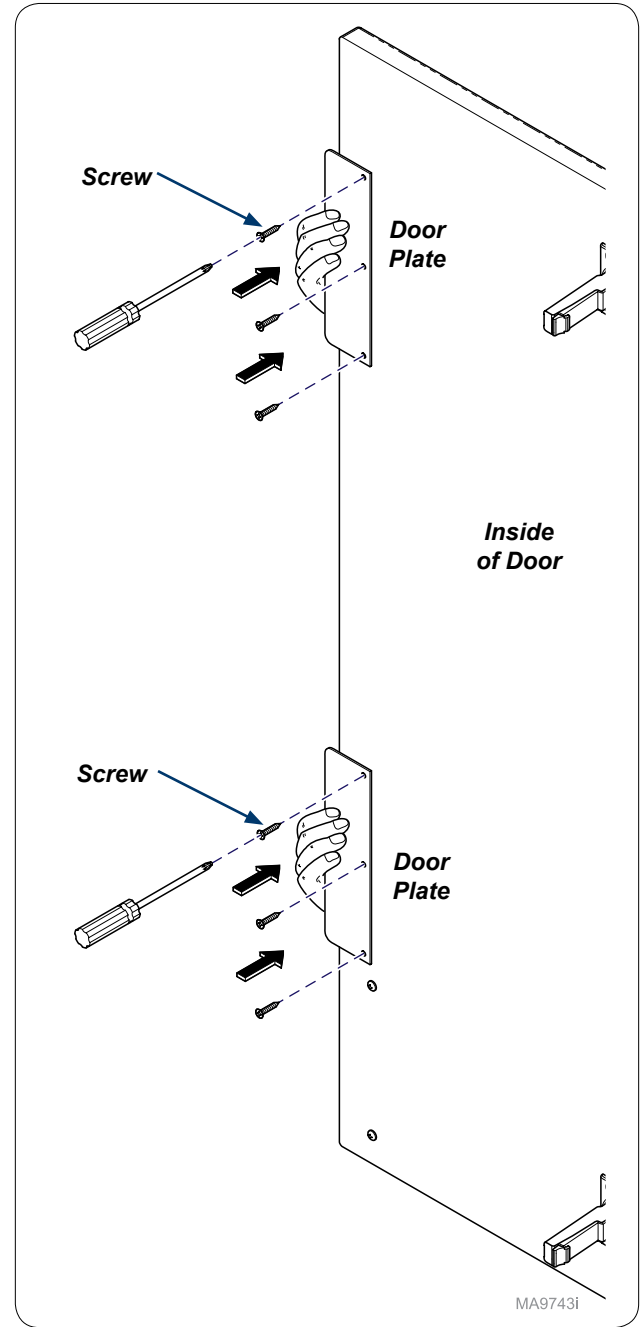
**Step 8:**  
 On door plate measure and mark 1/2".



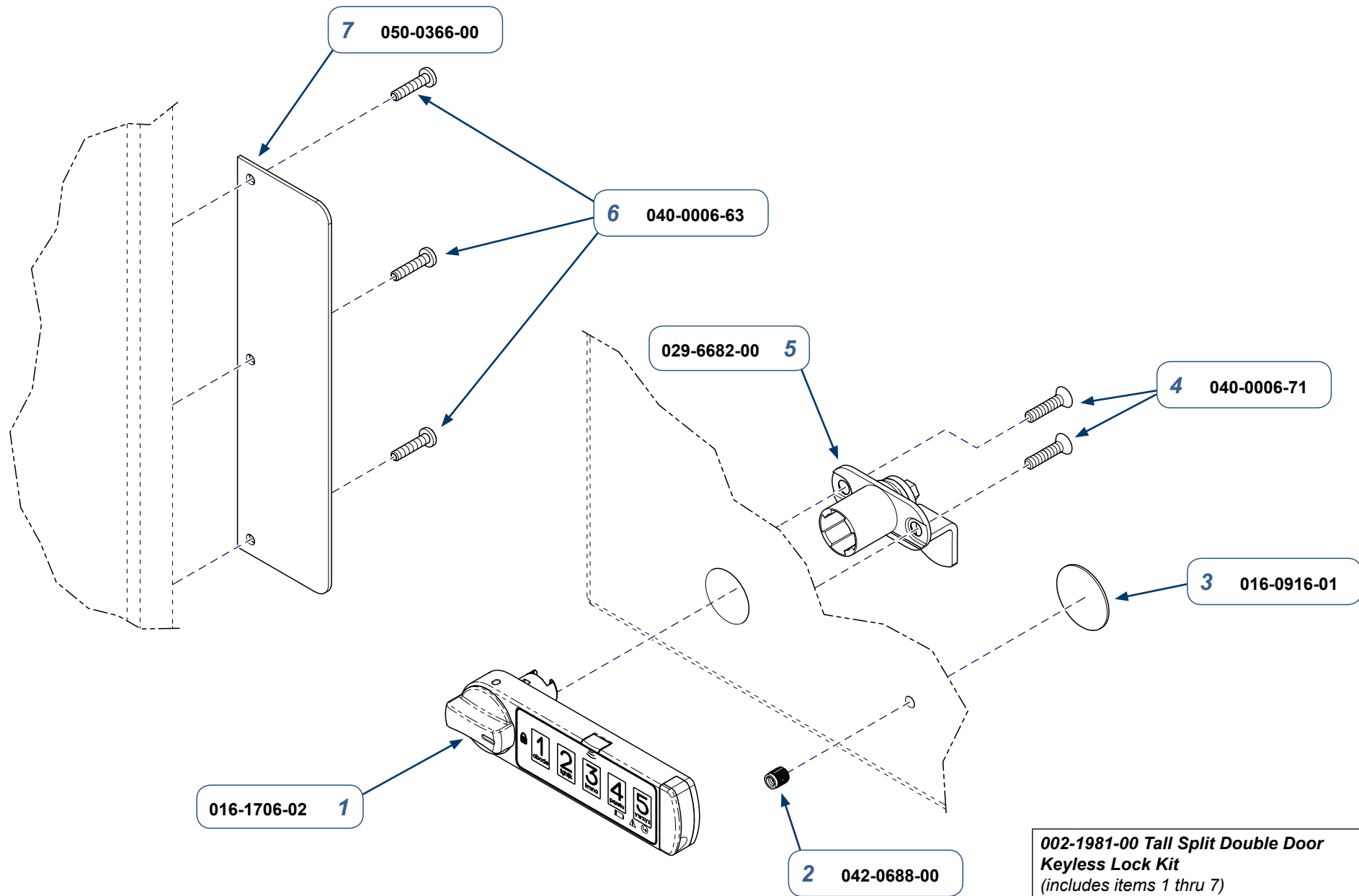
**Step 9:**  
Using mark on door plate and mark on door, place door plate on inside of door and mark hole locations.



**Step 10:**  
Use hole punch and hammer to start mounting holes.



**Step 11:**  
Install door plates (2) onto inside of door and secure with screws (6).



MA9878i

<b>002-1981-00 Tall Split Double Door Keyless Lock Kit</b> (includes items 1 thru 7)		
Item	Description	Qty.
1	• Right Hand Keyless Lock	1
2	• Press-Fit Thread Insert	1
3	• Cover Cap	1
4	• Flat Head Screw (#6 x 5/8")	2
5	• Cam Lock	1
6	• Pan Head Screw (#6 x 5/8")	6
7	• Door Plate	1

**Serial Numbers / Dates:** all