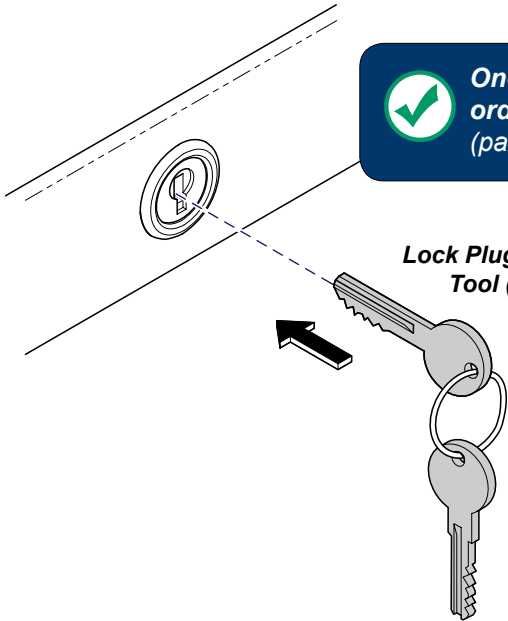
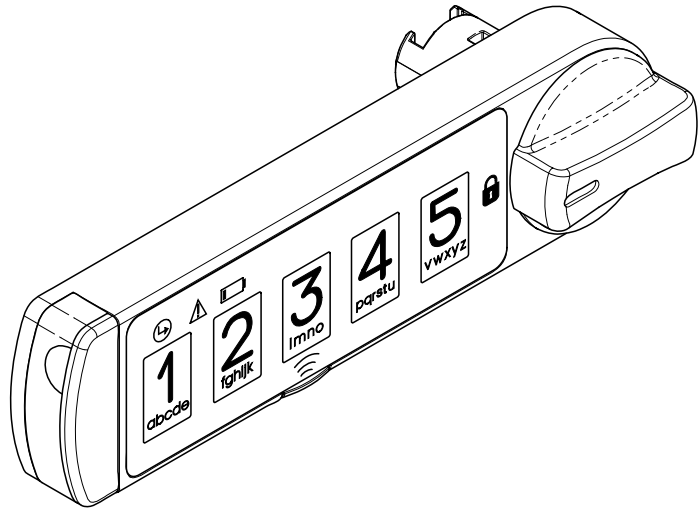




# [002-1983-xx] Keyless Lock Retrofit Kit Installation

**Special Tools:**  
 Drill  
 Level  
 3/32" Drill Bit  
 5/32" Drill Bit  
 Lock Plug Change Tool (Key)  
 Language of origin: English



 **One Master Key needed, ordered separately from kit. (part # 016-0589-00)**

**Lock Plug Change Tool (Key)**



Retrofit Install (Metal)

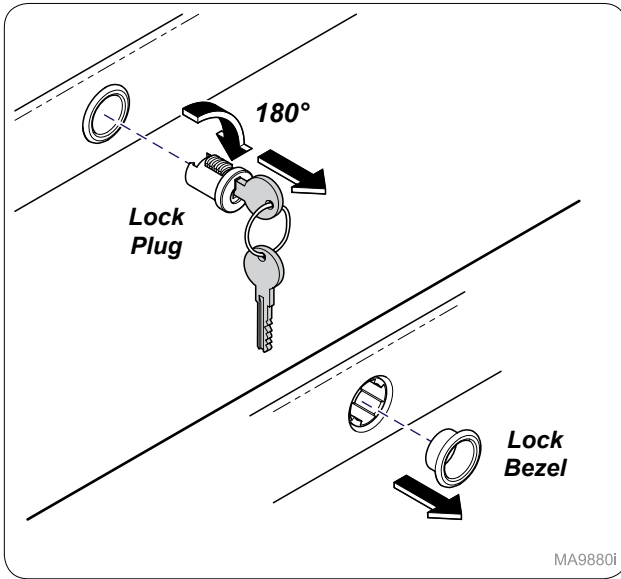


Retrofit Install (Wood)



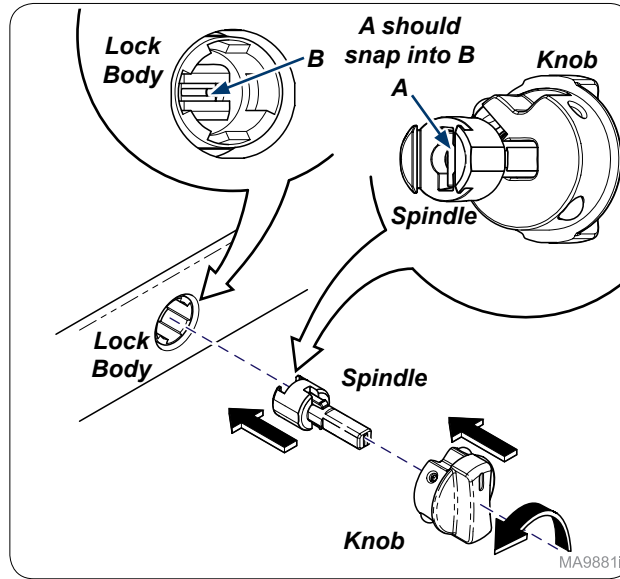
**Step 1: Removing keyed lock**  
 Insert Lock Plug Change Tool key into lock.

MA9879I



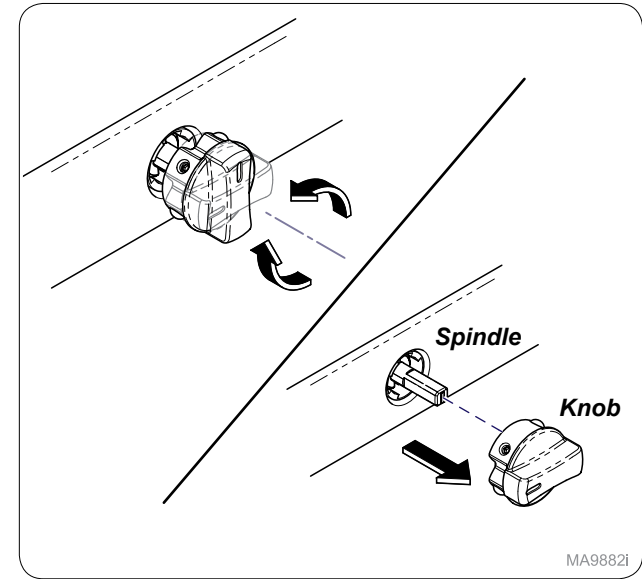
MA9880i

**Step 2:**  
 Rotate key 180° CW position and remove the lock plug.  
 Remove lock bezel.



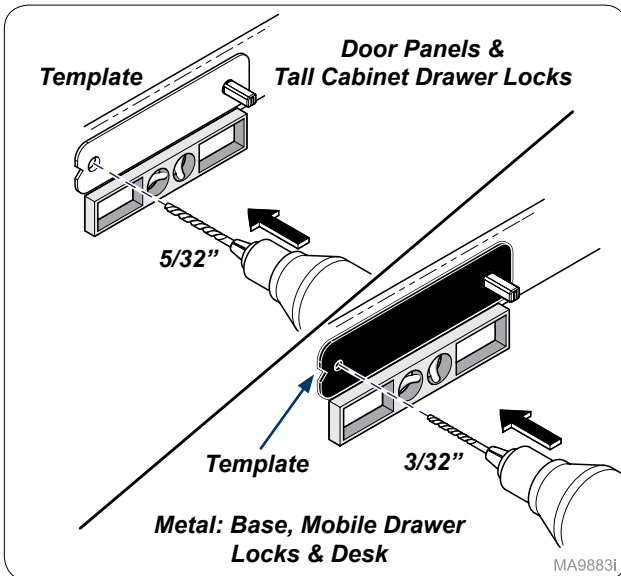
MA9881i

**Step 3:**  
 Insert spindle into lock body. Place knob onto spindle  
 in unlocked position. Push and rotate spindle with knob  
 180° CCW until you hear or feel a snap sound.



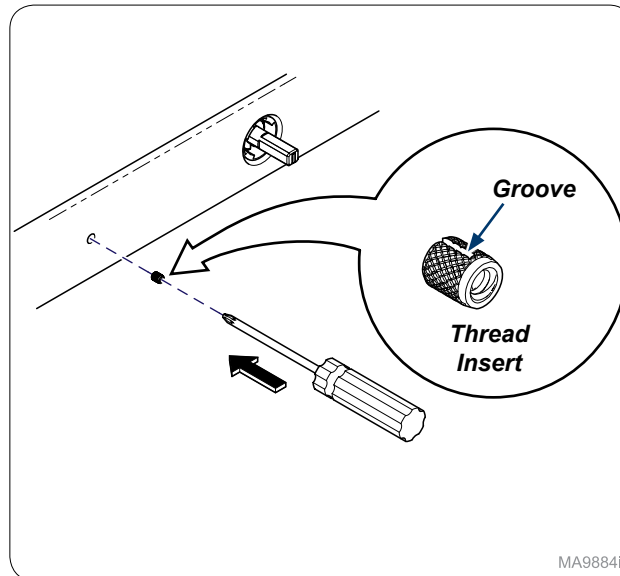
MA9882i

**Step 4:**  
 Verify the spindle is engaged into lock body and operates  
 by rotating back and fourth. Leave in locked position and  
 remove knob from spindle.



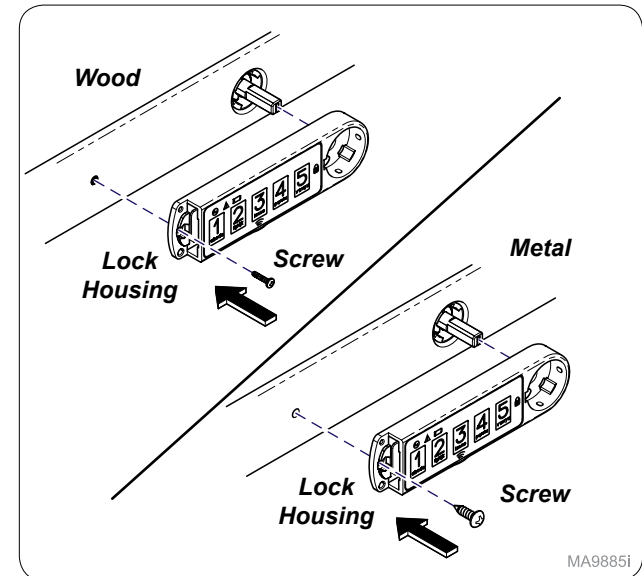
MA9883i

**Step 5:**  
 Use white template to drill 5/32" hole when installing  
 into wood or the black template to drill 3/32" hole when  
 installing into metal.



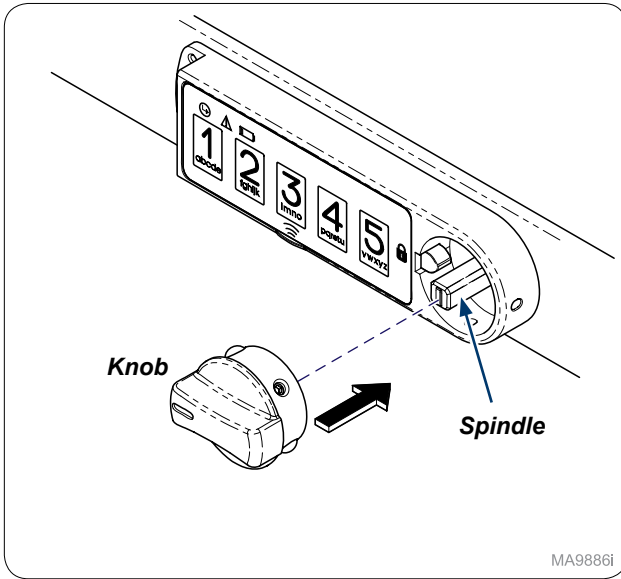
MA9884i

**Step 6: Wood application (ONLY)**  
 Push Thread Insert groove first into wood.



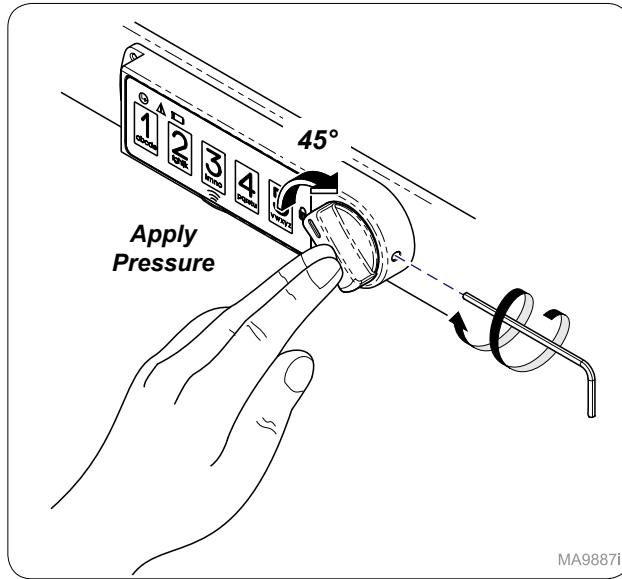
MA9885i

**Step 7:**  
 Install lock housing and secure with screw (x1).  
**Recommendation:** Use screw driver to install screw  
 instead of power drill to prevent stripping screw.



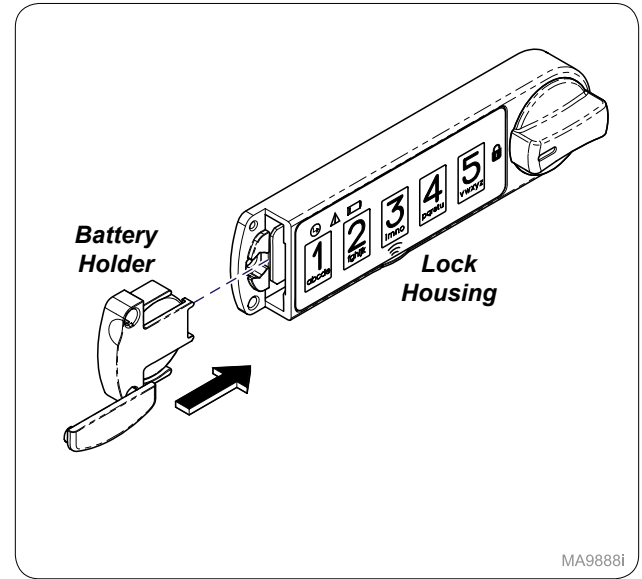
**Step 8:**  
Install knob onto spindle in locked position as shown.

MA9886i



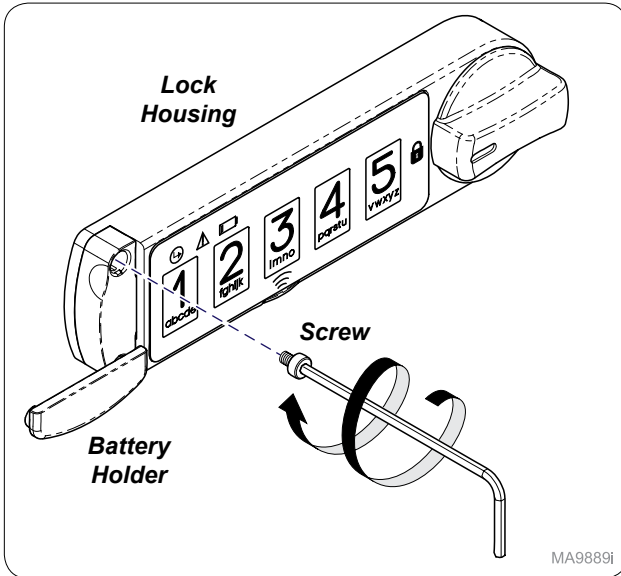
**Step 9:**  
Turn knob 45° and while applying pressure use hex tool to secure knob to spindle. **Note: Applying pressure to knob while tightening to spindle will keep lock housing tight to surface behind lock.**

MA9887i



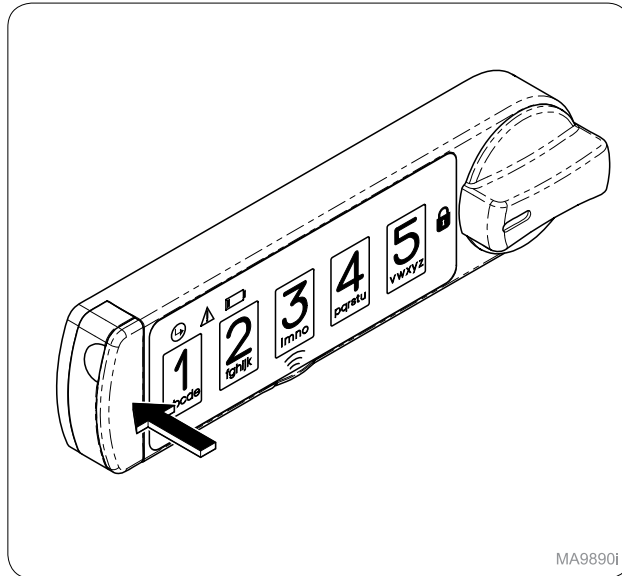
**Step 10:**  
Remove battery holder screw to install battery holder with battery.

MA9888i



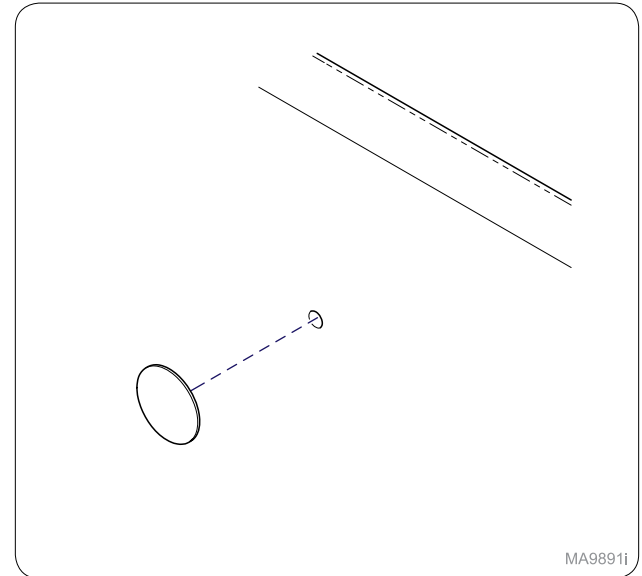
**Step 11:**  
Using the hex tool secure battery holder to the lock housing with battery holder screw.

MA9889i



**Step 12:**  
Swing over and snap cover down to close.

MA9890i



**Step 13: Doors (ONLY)**  
Install Cover Cap onto back side of door.

MA9891i

Wood Panels Template (050-10183-00) 4

2 Metal Base Mobile & Desk Template (050-10183-01)

3 Spindle

2 Lock Housing

1 Knob

Press-Fit Thread Insert (wood ONLY) 4

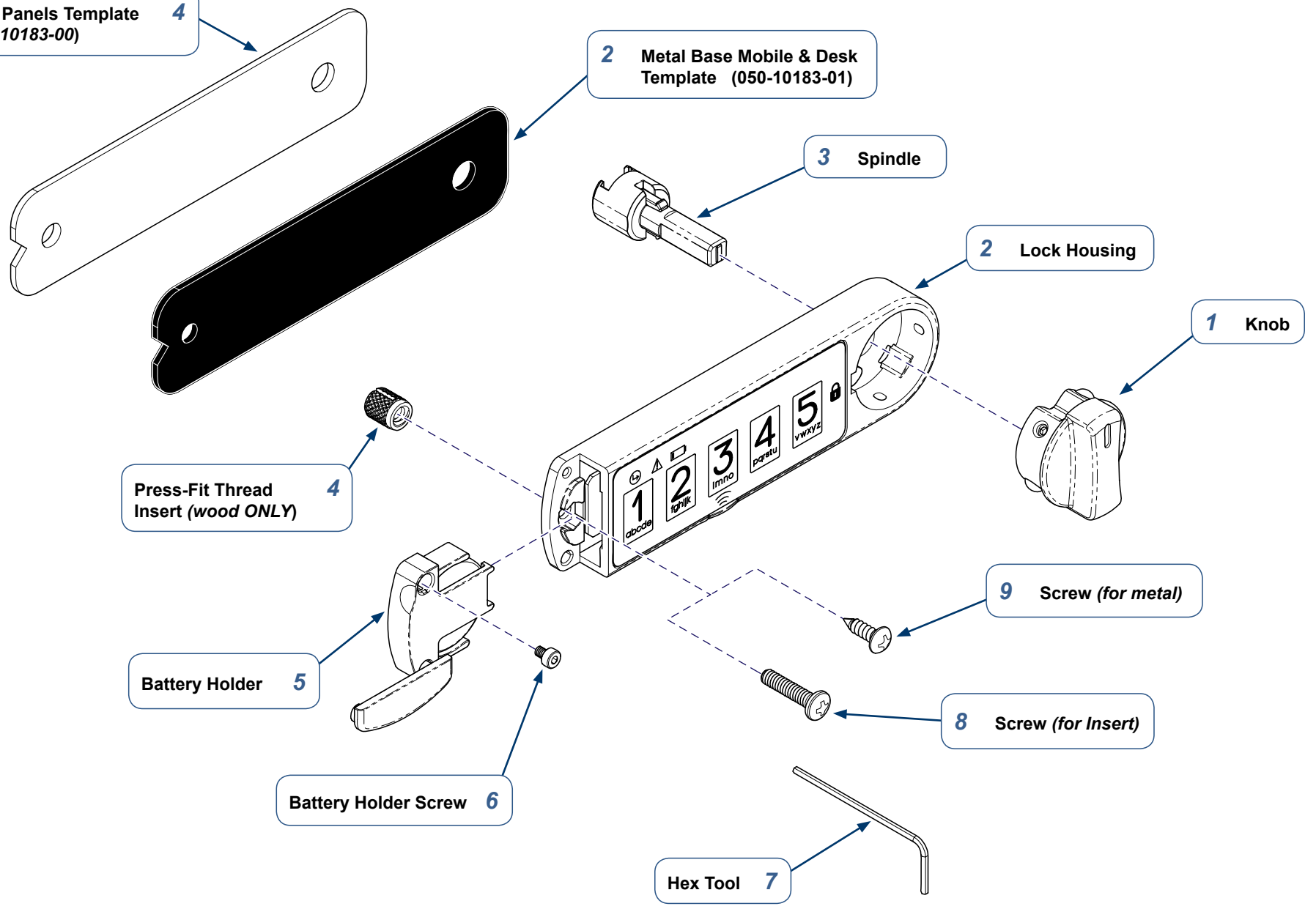
Battery Holder 5

Battery Holder Screw 6

9 Screw (for metal)

8 Screw (for Insert)

Hex Tool 7



MA9892i



Because we care.

<i>Unit</i>	<i>Number of Doors</i>	<i>Panel Style</i>	<i>Side</i>	<i>Keyless Lock Kit #</i>
Base Cabinet	Single	Renew / Cove	RH / LH	002-1983-03
Base Cabinet	Single	Serenity / Pinnacle / Transcend	RH	002-1983-02
Base Cabinet	Single	Serenity / Pinnacle / Transcend	LH	002-1983-00
Base Cabinet	Double	Renew / Cove	Double	002-1983-03
Base Cabinet	Double	Serenity / Pinnacle / Transcend	Double	002-1983-02
Tall Cabinet	Single	Renew / Cove / Serenity / Pinnacle / Transcend	RH / LH	002-1983-01
Tall Cabinet	Double	Renew / Cove / Serenity / Pinnacle / Transcend	Double	002-1983-01
Tall Cabinet	Single	Renew / Cove / Serenity / Pinnacle / Transcend	RH / LH	002-1983-01
Tall Cabinet	Double	Renew / Cove / Serenity / Pinnacle / Transcend	Double	002-1983-02
Overhead Cabinet	Single	Renew / Cove	RH / LH	002-1983-01
Overhead Cabinet	Single	Serenity / Pinnacle / Transcend	RH	002-1983-02
Overhead Cabinet	Single	Serenity / Pinnacle / Transcend	LH	002-1983-00
Overhead Cabinet	Double	Renew / Cove	Double	002-1983-01
Overhead Cabinet	Double	Serenity / Pinnacle / Transcend	Double	002-1983-02
Base Cabinet <b>Drawers</b>	-	-	-	002-1983-02