

# 425

-001

Air Lift Physicians Stool

Serial Number Prefixes:  
BZ, V, & VAF



425<sup>-001</sup>

FOR USE BY MIDMARK TRAINED TECHNICIANS ONLY



# TABLE OF CONTENTS

Section/Paragraph	Page	Section/Paragraph	Page
IMPORTANT INSTRUCTIONS		SECTION V SCHEMATICS AND DIAGRAMS	
General Safety Instructions .....	ii	Not Available	
Safety Alert Symbols .....	ii	SECTION VI PARTS LIST	
Warranty Instructions .....	ii	6.1 Introduction .....	6-1
SECTION I GENERAL INFORMATION		6.2 Description Of Columns .....	6-1
Not Available		6.3 Torque Specifications And Important Assembly Notes .....	6-1
SECTION II TESTING AND TROUBLESHOOTING		425 Stool Assembly .....	6-2(*)
Not Available		Stool Accessories .....	6-3(*)
SECTION III SCHEDULED MAINTENANCE		COMMENTS .....	7-1
Not Available		FAX ORDERING FORM .....	7-2
SECTION IV MAINTENANCE/SERVICE INSTRUCTIONS			
Not Available			

(\*) Indicates that there has been a serial number break for the illustration and that there are additional point page(s) following the original page.

# IMPORTANT INSTRUCTIONS

## General Safety Instructions

**Safety First: The primary concern of Midmark Corporation is that this table is maintained with the safety of the patient and staff in mind. To assure that services and repairs are completed safely and correctly, proceed as follows:**

- (1) Read this entire manual before performing any services or repairs on this table.
- (2) Be sure you understand the instructions contained in this manual before attempting to service or repair this table.

## Safety Alert Symbols

Throughout this manual are safety alert symbols that call attention to particular procedures. These items are used as follows:



### **DANGER**

**A DANGER is used for an imminently hazardous operating procedure, practice, or condition which, if not correctly followed, will result in loss of life or serious personal injury.**



### **WARNING**

**A WARNING is used for a potentially hazardous operating procedure, practice, or condition which, if not correctly followed, could result in loss of life or serious personal injury.**



### **CAUTION**

**A CAUTION is used for a potentially hazardous operating procedure, practice, or condition which, if not correctly followed, could result in minor or moderate injury. It may also be used to alert against unsafe practices.**



### **EQUIPMENT ALERT**

**An EQUIPMENT ALERT is used for an imminently or potentially hazardous operating procedure, practice, or condition which, if not correctly followed, will or could result in serious, moderate, or minor damage to unit.**

### **NOTE**

A NOTE is used to amplify an operating procedure, practice or condition.

## Warranty Instructions

Refer to the Midmark "Limited Warranty" printed in the Installation and Operation Manual for warranty information. Failure to follow the guidelines listed below will void the warranty and/or render the 355 Lighting System unsafe for operation.

- In the event of a malfunction, do not attempt to operate the table until necessary repairs have been made.
- Do not attempt to disassemble table, replace malfunctioning or damaged components, or perform adjustments unless you are one of Midmark's authorized service technicians.
- Do not substitute parts of another manufacturer when replacing inoperative or damaged components. Use only Midmark replacement parts.

## **SECTION VI PARTS LIST**

### **6.1 Introduction**

The illustrated parts list provides information for identifying and ordering the parts necessary to maintain the unit in peak operating condition. Refer to paragraph 1.5 for parts ordering information.

The parts list also illustrates disassembly and assembly relationships of parts.

### **6.2 Description of Columns**

The *Item* column of the parts list gives a component its own unique number. The same number is given to the component in the parts illustration. This allows a part number of a component to be found if the technician can visually spot the part on the illustration. The technician simply finds the component in question on the illustration and notes the item number of that component. Then, he finds that item number in the parts list. The row corresponding to the item number gives the technician the part number, a description of the component, and quantity of parts per subassembly. Also, if a part number is known, the location of that component can be determined by looking for the item number of the component on the illustration.

The *Part No.* column lists the MIDMARK part number for that component.

The *Description* column provides a physical description of the component.

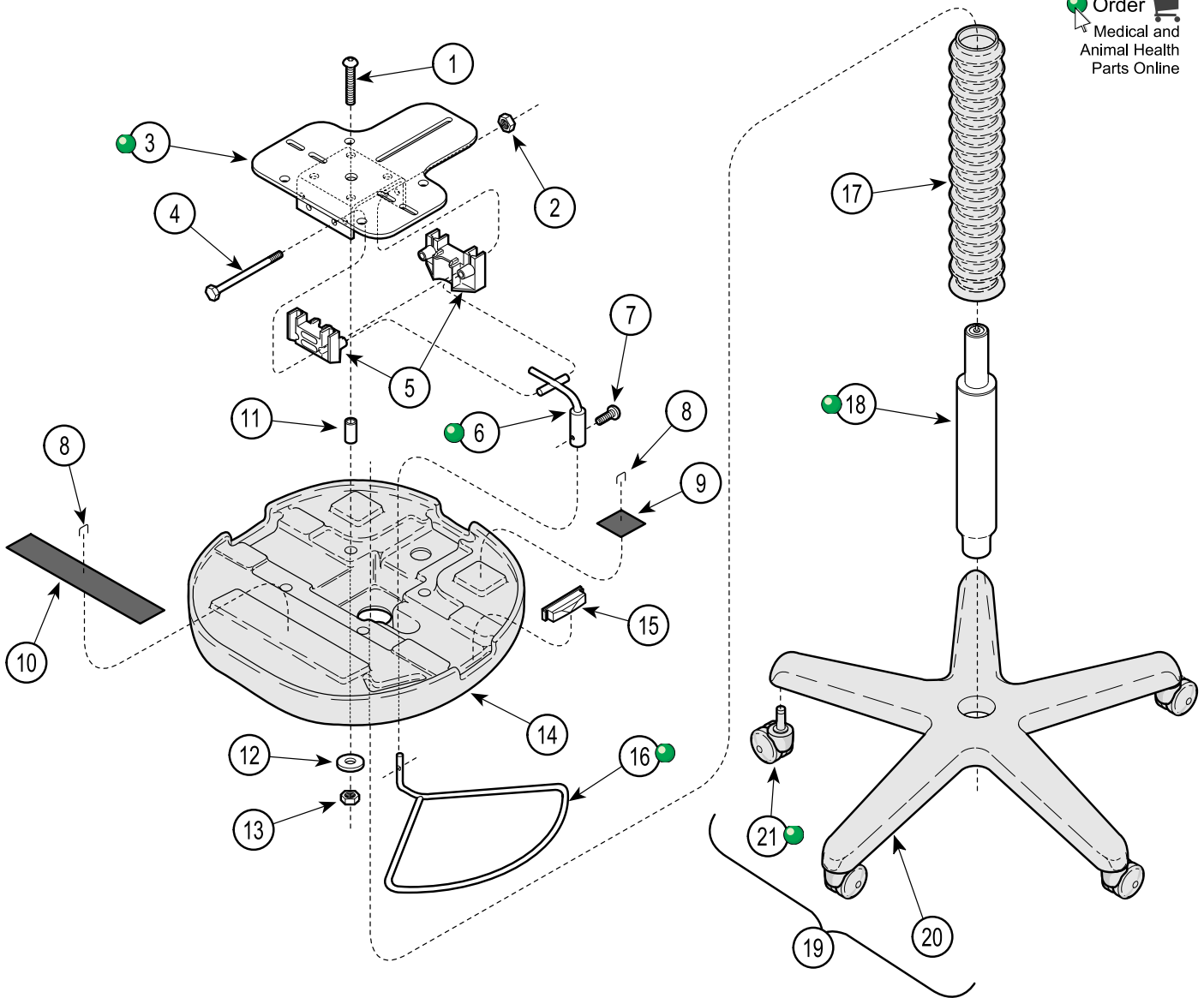
The *Qty.* column lists the number of units of a particular component that is required for the subassembly. The letters "AR" denote "as required" when quantities of a particular component cannot be determined, such as: adhesive.

Bullets { • } in the *Part No.* column and the *Description* column show the indenture level of a component. If a component does not have a bullet, it is a main component of that illustration. If a component has a bullet, it is a subcomponent of the next component listed higher in the parts list than itself that does not have a bullet. Likewise, if a component has two bullets, it is a subcomponent of the next component listed higher in the parts list than itself that has only one bullet.

# 425 Stool Assembly

## SECTION VI PARTS LIST

Order   
Medical and  
Animal Health  
Parts Online



MA333200

### Used On Units With Serial Number BZ1000 thru BZ5042

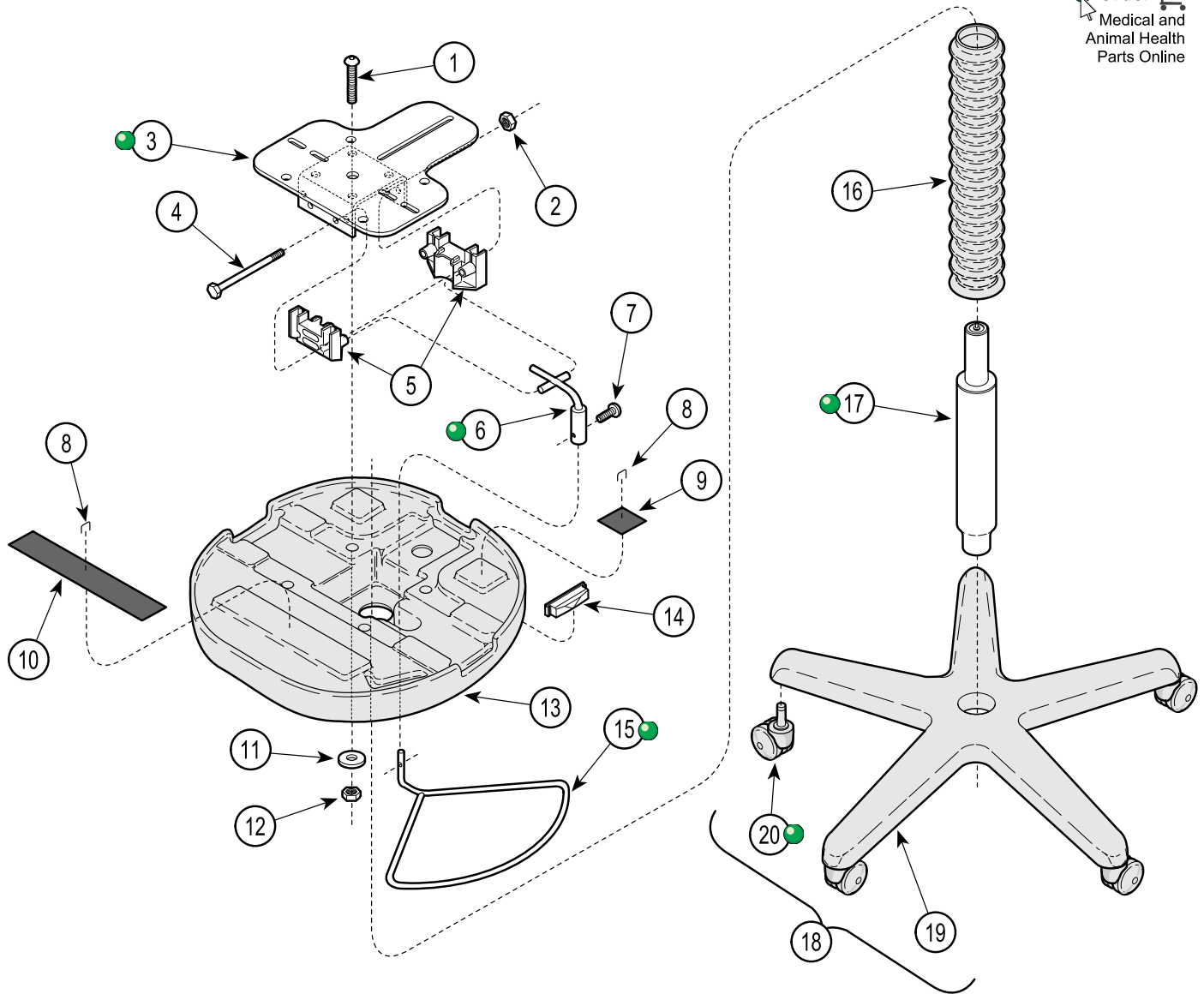
Item	Part No.	Description	Qty.	Item	Part No.	Description	Qty.
	425-001	Stool Assembly w/ Hand Release (Includes Items 1 thru 20)	1	13	• 041-0250-01	• Nut	4
1	• 040-0250-82	• Screw	4	14	• 053-0342-00	• Upper Shell	1
2	• 041-0312-01	• Nut	2	15	• 029-1220-00	• Plug (Qty. 3 in bag)	1
3	• 050-4689-10	• Mounting Base Weldment	1	16	• 051-0592-00	• Release Handle Weldment	1
4	• 040-0312-09	• Screw	2	17	• 053-0344-00	• Cylinder Bellows	1
5	• 016-0090-02	• Die Cast Jaw	2	18	• 016-0295-01	• Column Gas Cylinder	1
6	• 030-0640-00	• Handle Extension Weldment	1	19	• N.L.A.	• Roller Base Assembly (Includes Items 19 and 20)	1
7	• 040-0006-06	• Screw	2	20	•• 016-0493-00	•• Roller Base (Less Casters)	1
8	• 042-0040-00	• Staple	18	21	•• N.L.A.	•• Twin Wheel Caster (Pearl Grey)	5
9	• 053-0131-00	• Velcro Hook	2		•• 016-0683-00	•• Twin Wheel Caster (Black)	5
10	• 053-0131-08	• Velcro Hook	1	22	002-1004-00	Twin Wheel Caster Set (Includes [5] Black Casters) (Not Shown)	1
11	• 052-0156-00	• Spacer	4				
12	• 045-0001-60	• Washer	4				

(N.L.A. denotes "No longer Available")  
Always Specify Model & Serial Number

# 425 Stool Assembly

## SECTION VI PARTS LIST

Order   
Medical and  
Animal Health  
Parts Online



MA333201

**Used On Units With Serial Number BZ5043 thru BZ018422**  
**Used On Units With Serial Number V2200 thru V289596**

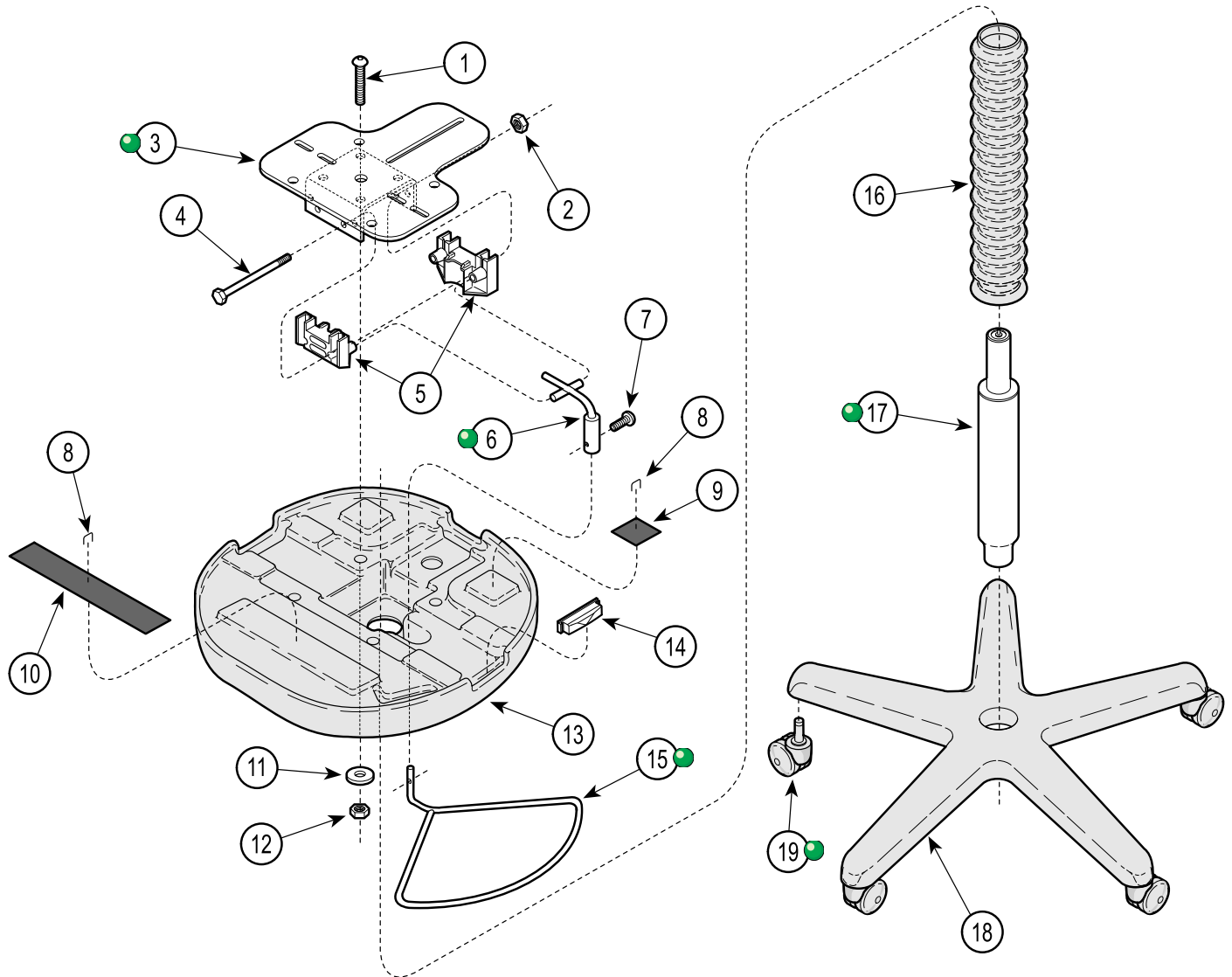
Item	Part No.	Description	Qty.	Item	Part No.	Description	Qty.
	425-001	Stool Assembly w/ Hand Release (Includes Items 1 thru 19)	1	12	• 041-0250-01	• Nut	4
1	• 040-0250-82	• Screw	4	13	• 053-0342-00	• Upper Shell	1
2	• 041-0312-01	• Nut	2	14	• 029-1220-00	• Plug (Qty. 3 in bag)	1
3	• 050-4689-10	• Mounting Base Weldment	1	15	• 051-0592-00	• Release Handle Weldment	1
4	• 040-0312-09	• Screw	2	16	• 053-0344-00	• Cylinder Bellows	1
5	• 016-0090-02	• Die Cast Jaw	2	17	• 016-0295-01	• Column Gas Cylinder	1
6	• 030-0640-00	• Handle Extension Weldment	1	18	• N.L.A.	• Roller Base Assembly (Includes Items 18 and 19)	1
7	• 040-0006-06	• Screw	2	19	•• 016-0493-00	•• Roller Base (Less Casters)	1
8	• 042-0040-00	• Staple	18	20	•• N.L.A.	•• Twin Wheel Caster (Pearl Grey)	5
9	• 053-0131-00	• Velcro Hook	2		•• 016-0683-00	•• Twin Wheel Caster (Black)	5
10	• 053-0131-08	• Velcro Hook	1	21	002-1004-00	Twin Wheel Caster Set (Includes [5] Black Casters) (Not Shown)	1
11	• 045-0001-60	• Washer	4				

(N.L.A. denotes "No longer Available")  
Always Specify Model & Serial Number

# 425 Stool Assembly

## SECTION VI PARTS LIST

Order   
Medical and  
Animal Health  
Parts Online



MA333202

**Used on units built from V289597 thru V1471186**  
**Used on units built from VAF000001 thru Present**

Item	Part No.	Description	Qty.	Item	Part No.	Description	Qty.
	425-001	Stool Assembly w/ Hand Release (Includes Items 1 thru 18)	1	10	•053-0131-08	• Velcro Hook	1
1	•040-0250-82	• Screw	4	11	•045-0001-60	• Washer	4
2	•041-0312-01	• Nut	2	12	•041-0250-01	• Nut	4
3	•050-4689-10	• Mounting Base Weldment	1	13	•053-0342-00	• Upper Shell	1
4	•040-0312-09	• Screw	2	14	•029-1220-00	• Plug (Qty. 3 in bag)	1
5	•016-0090-02	• Die Cast Jaw	2	15	•051-0592-00	• Release Handle Weldment	1
6	•030-0640-00	• Handle Extension Weldment	1	16	•053-0344-00	• Cylinder Bellows	1
7	•040-0006-06	• Screw	2	17	•016-0295-01	• Column Gas Cylinder	1
8	•042-0040-00	• Staple	18	18	•016-0493-00	• Roller Base (Less Casters)	1
9	•053-0131-00	• Velcro Hook	2	19	•016-0683-00	• Twin Wheel Caster (Black)	5

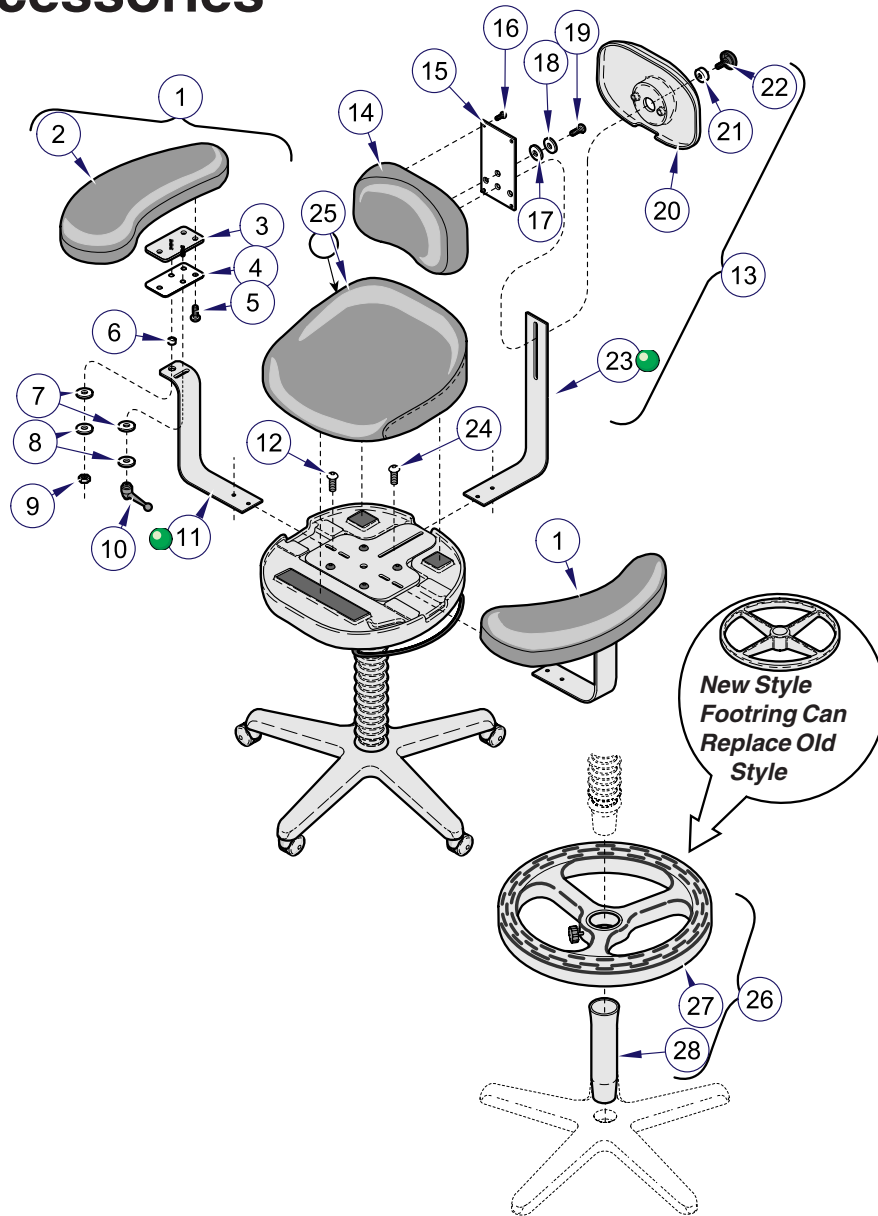
Always Specify Model & Serial Number



# Stool Accessories

## SECTION VI PARTS LIST

Order   
Medical and  
Animal Health  
Parts Online



MA333301

**Used On Units With Serial Number BZ1000 thru BZ018422**  
**Used On Units With Serial Number V2200 thru V289596**

Item	Part No.	Description	Qty.	Item	Part No.	Description	Qty.
1	002-0275-XXX	Stool Arm Kit (Includes Items 1 thru 12 [*Specify Color]) .....	1	13	002-0274-XXX	Stool Backrest Kit (Includes Items 14 thru 24 [*Specify Color]) .....	1
2	• 028-0224-XX	• R.H. Upholstered Armrest (*Specify Color) .....	1	14	• 028-0223-XXX	• Upholstered Backrest (*Specify Color) .....	1
	• 028-0225-XX	• L.H. Upholstered Armrest (*Specify Color) .....	1	15	• 053-0427-00	• Back Plate .....	1
3	• 030-0649-10	• Arm Pivot Weldment .....	2	16	• 040-0010-81	• Screw .....	4
4	• 053-0348-00	• Arm Pivot .....	2	17	• 045-0007-01	• Nylon Washer .....	1
5	• 040-0250-86	• Screw .....	6	18	• 045-0001-02	• Washer .....	1
6	• 053-0081-00	• Stop .....	2	19	• 040-0250-86	• Screw .....	1
7	• 045-0007-01	• Nylon Washer .....	4	20	• 053-0343-00	• Backrest Cover .....	1
8	• 045-0001-02	• Washer .....	4	21	• 053-0356-00	• Torque Knob Spacer .....	1
9	• 041-0250-01	• Nut .....	2	22	• 016-0343-01	• Torque Knob .....	1
10	• 016-0374-00	• Torque Lever .....	2	23	• 051-0594-10	• Back Support Bar .....	1
11	• 051-0593-10	• Arm Support Bar .....	2	24	• 040-0250-08	• Screw .....	2
12	• 040-0250-08	• Screw .....	4	25	002-0273-XXX	Upholstered Seat (*Specify Color) .....	1
				26	002-1546-00	Footring Kit (Incl. Items 27 & 28) .....	1
				27	only in kit #26	• Footrest .....	1
				28	only in kit #26	• Extension Tube .....	1

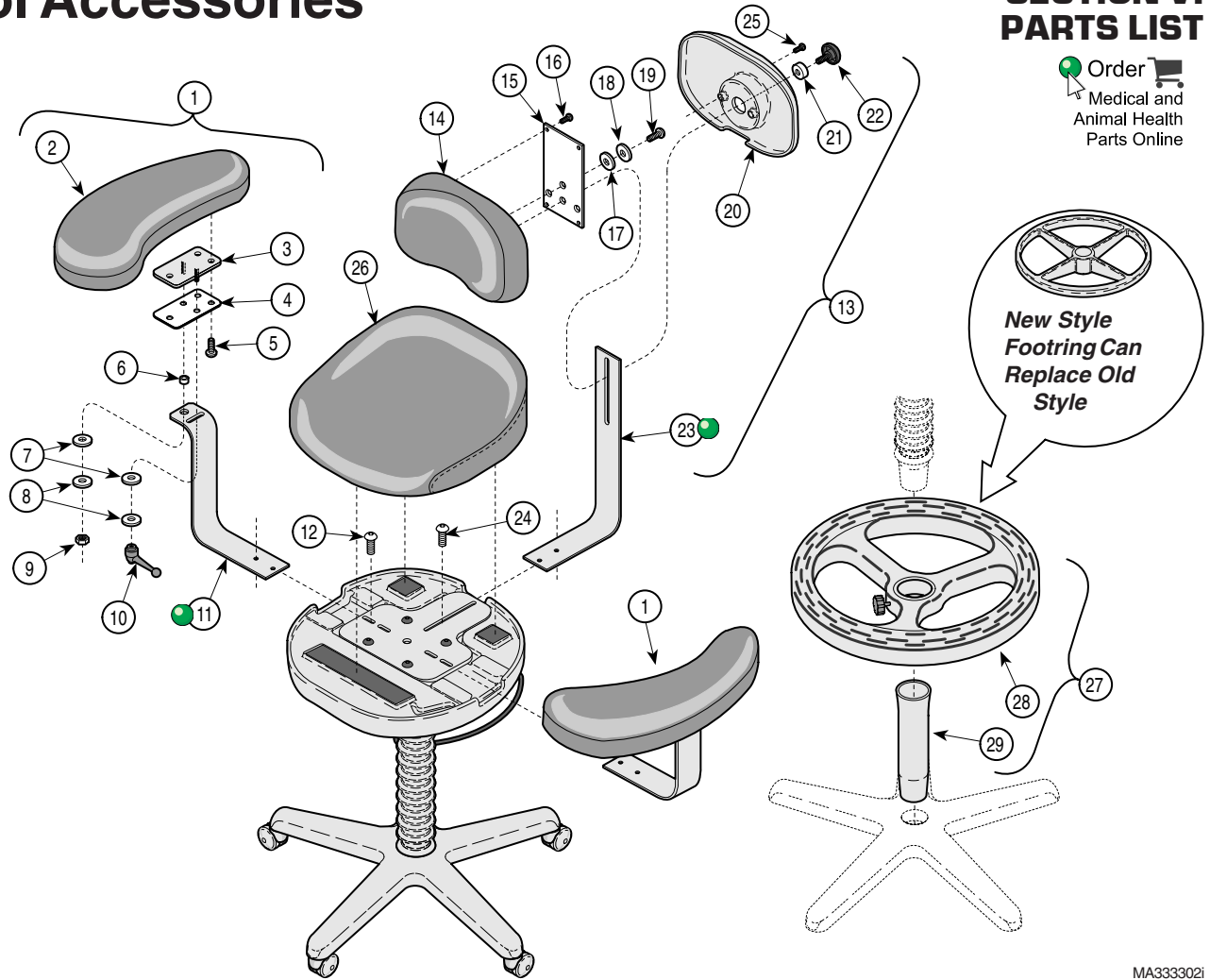
\* Click on the Color Selector link above to see available colors.

**Always Specify Model & Serial Number**

# Stool Accessories

## SECTION VI PARTS LIST

Order   
Medical and  
Animal Health  
Parts Online



MA3333021

**Used on units built from V289597 thru V1471186**  
**Used on units built from VAF000001 thru Present**

Item	Part No.	Description	Qty.	Item	Part No.	Description	Qty.
1	002-0275-xxx	Stool Arm Kit - Standard & UltraFree .. Upholstery (Incl. Items 1 thru 12 [*Specify Color])	1	002-0945-xxx	Stool Backrest Kit - CAL 133 Upholstery (Incl. Items 14 thru 25 [*Specify Color])	1	
	002-0946-xxx	Stool Arm Kit - CAL 133 Upholstery (Incl. Items 1 thru 12 [*Specify Color])	1	14	•028-0223-00-xxx	•Standard & UltraFree Backrest(*Specify Color) .....	1
2	•028-0224-00-xxx	•R.H. Standard & UltraFree Upholstered Armrest(*Specify Color)	1		•028-0223-01-xxx	•CAL 133 Backrest (*Specify Color) .	1
	•028-0224-01-xxx	•R.H. CAL 133 Upholstered Armrest (Specify Color) .....	1	15	•053-0427-00	•Back Plate .....	1
	•028-0225-00-xxx	•L.H. Standard & UltraFree Upholstered Armrest(Specify Color)	1	16	•040-0010-81	•Screw .....	4
	•028-0225-01-xxx	•L.H. CAL 133 Upholstered Armrest (Specify Color) .....	1	17	•045-0007-01	•Nylon Washer .....	1
3	•030-0649-10	•Arm Pivot Weldment .....	2	18	•045-0001-02	•Washer .....	1
4	•053-0348-00	•Arm Pivot .....	2	19	•040-0250-86	•Screw .....	1
5	•040-0250-86	•Screw .....	6	20	•053-0343-00	•Backrest Cover .....	1
6	•053-0081-00	•Stop .....	2	21	•053-0356-00	•Torque Knob Spacer .....	1
7	•045-0007-01	•Nylon Washer .....	4	22	•016-0343-01	•Torque Knob .....	1
8	•045-0001-02	•Washer .....	4	23	•051-0594-10	•Back Support Bar .....	1
9	•041-0250-01	•Nut .....	2	24	•040-0250-08	•Screw .....	2
10	•016-0374-00	•Torque Lever .....	2	25	•040-0250-87	•Screw .....	2
11	•051-0593-10	•Arm Support Bar .....	2	26	002-0273-xxx	Uphol. Seat - Standard & UltraFree .... (*Specify Color) .....	1
12	•040-0250-08	•Screw .....	4		002-0944-xxx	Uphol. Seat - CAL 133 (*Specify Color)	1
13	002-0274-xxx	Stool Backrest Kit - Standard & UltraFree Upholstery (Incl. Items 14 thru 25 [*Specify Color])	1	27	002-1546-00	Footring Kit (Incl. Items 28 & 29) .....	1
				28	only in kit #27	•Footring .....	1
				29	only in kit #27	•Extension Tube .....	1
				30	046-0003-00	1/8" Allen Wrench (Not Shown) .....	1
				31	046-0005-00	5/32" Allen Wrench (Not Shown) .....	1

\* Click on the Color Selector link above to see available colors.

Always Specify Model & Serial Number

## COMMENTS

The Technical Publications Department of Midmark Corporation takes pride in its publications. We are sure that our manuals will fill all of your needs when you are performing scheduled maintenance, servicing, or repairs on a Midmark product.

However, if you find any errors or feel that there should be a change, addition, or deletion to a manual, please let us know!

**Page(s) and Paragraph(s) Needing Changed:**

**Description of Error or Desired Change:**

Please fax or mail a copy of this completed comment sheet to:

Midmark Corporation  
ATTN: Technical Publications Department  
60 Vista Drive  
Versailles, Ohio 45380  
Fax: (937) 526-5542





Midmark Corporation  
60 Vista Drive  
P.O. Box 286  
Versailles, Ohio 45380-0286  
937-526-3662  
Fax 937-526-5542  
midmark.com



Because we care.

Subject to change without notice.  
Refer to [www.Documark.com](http://www.Documark.com) for latest revision.