

427

-001

Air Lift Physician Stool

Serial Number Prefixes:
BZ, V & VAF



427⁻⁰⁰¹

FOR USE BY MIDMARK TRAINED TECHNICIANS ONLY

TABLE OF CONTENTS

Section/Paragraph	Page	Section/Paragraph	Page
IMPORTANT INSTRUCTIONS		SECTION V SCHEMATICS AND DIAGRAMS	
General Safety Instructions	ii	Not Available	
Safety Alert Symbols	ii	SECTION VI PARTS LIST	
Warranty Instructions	ii	6.1 Introduction	6-1
SECTION I GENERAL INFORMATION		6.2 Description Of Columns	6-1
Not Available		6.3 Torque Specifications And Important Assembly Notes	6-1
SECTION II TESTING AND TROUBLESHOOTING		427 Stool Assembly	6-2(*)
Not Available		Stool Accessories	6-3(*)
SECTION III SCHEDULED MAINTENANCE		COMMENTS	7-1
Not Available		FAX ORDERING FORM	7-2
SECTION IV MAINTENANCE/SERVICE INSTRUCTIONS			
Not Available			

(*) Indicates that there has been a serial number break for the illustration and that there are additional point page(s) following the original page.

IMPORTANT INSTRUCTIONS

General Safety Instructions

Safety First: The primary concern of Midmark Corporation is that this table is maintained with the safety of the patient and staff in mind. To assure that services and repairs are completed safely and correctly, proceed as follows:

- (1) Read this entire manual before performing any services or repairs on this table.
- (2) Be sure you understand the instructions contained in this manual before attempting to service or repair this table.

Safety Alert Symbols

Throughout this manual are safety alert symbols that call attention to particular procedures. These items are used as follows:



DANGER

A DANGER is used for an imminently hazardous operating procedure, practice, or condition which, if not correctly followed, will result in loss of life or serious personal injury.



WARNING

A WARNING is used for a potentially hazardous operating procedure, practice, or condition which, if not correctly followed, could result in loss of life or serious personal injury.



CAUTION

A CAUTION is used for a potentially hazardous operating procedure, practice, or condition which, if not correctly followed, could result in minor or moderate injury. It may also be used to alert against unsafe practices.



EQUIPMENT ALERT

An EQUIPMENT ALERT is used for an imminently or potentially hazardous operating procedure, practice, or condition which, if not correctly followed, will or could result in serious, moderate, or minor damage to unit.

NOTE

A NOTE is used to amplify an operating procedure, practice or condition.

Warranty Instructions

Refer to the Midmark "Limited Warranty" printed in the Installation and Operation Manual for warranty information. Failure to follow the guidelines listed below will void the warranty and/or render the 355 Lighting System unsafe for operation.

- In the event of a malfunction, do not attempt to operate the table until necessary repairs have been made.
- Do not attempt to disassemble table, replace malfunctioning or damaged components, or perform adjustments unless you are one of Midmark's authorized service technicians.
- Do not substitute parts of another manufacturer when replacing inoperative or damaged components. Use only Midmark replacement parts.

SECTION VI PARTS LIST

6.1 Introduction

The illustrated parts list provides information for identifying and ordering the parts necessary to maintain the unit in peak operating condition. Refer to paragraph 1.5 for parts ordering information.

The parts list also illustrates disassembly and assembly relationships of parts.

6.2 Description of Columns

The *Item* column of the parts list gives a component its own unique number. The same number is given to the component in the parts illustration. This allows a part number of a component to be found if the technician can visually spot the part on the illustration. The technician simply finds the component in question on the illustration and notes the item number of that component. Then, he finds that item number in the parts list. The row corresponding to the item number gives the technician the part number, a description of the component, and quantity of parts per subassembly. Also, if a part number is known, the location of that component can be determined by looking for the item number of the component on the illustration.

The *Part No.* column lists the MIDMARK part number for that component.

The *Description* column provides a physical description of the component.

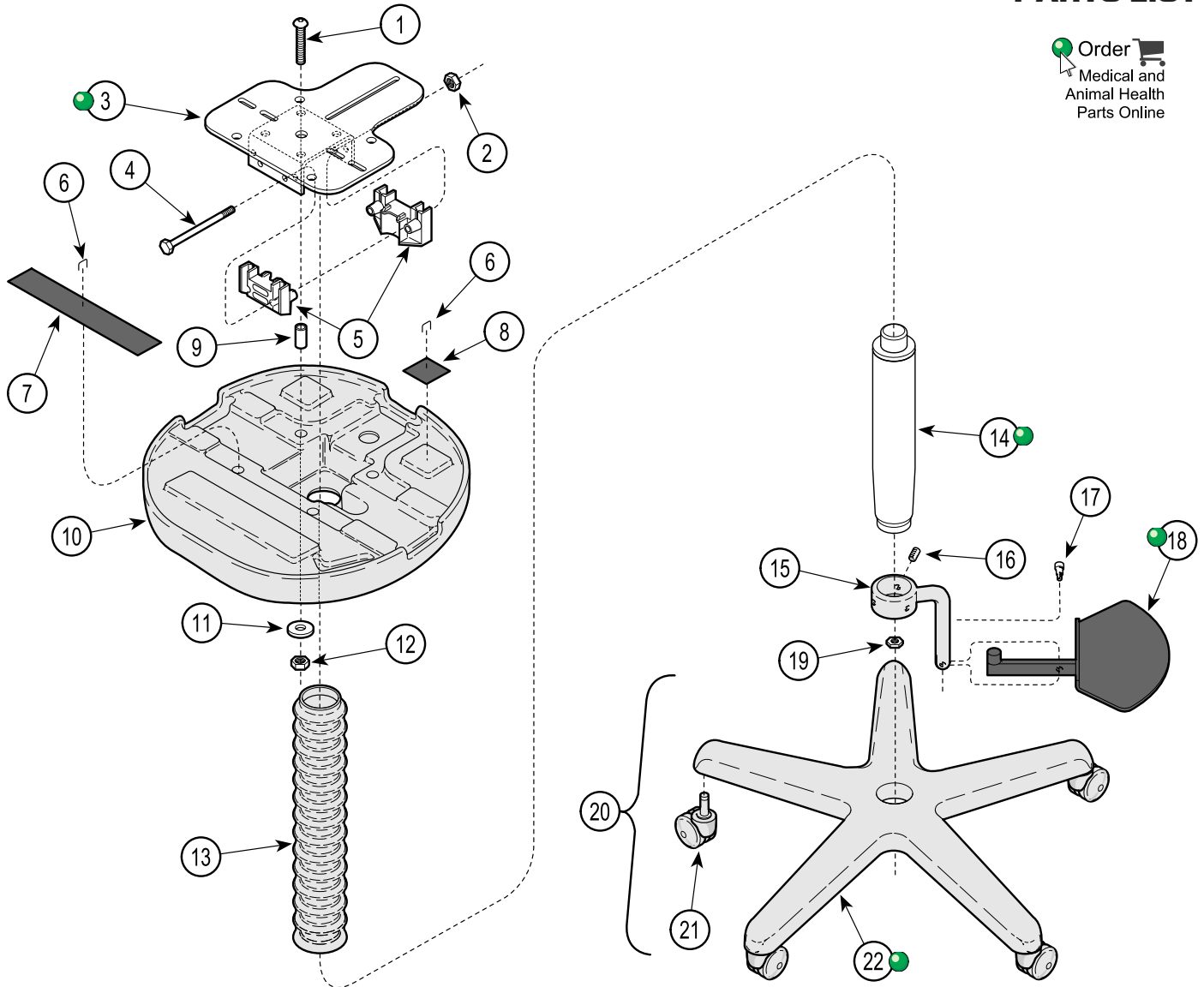
The *Qty.* column lists the number of units of a particular component that is required for the subassembly. The letters "AR" denote "as required" when quantities of a particular component cannot be determined, such as: adhesive.

Bullets { • } in the *Part No.* column and the *Description* column show the indenture level of a component. If a component does not have a bullet, it is a main component of that illustration. If a component has a bullet, it is a subcomponent of the next component listed higher in the parts list than itself that does not have a bullet. Likewise, if a component has two bullets, it is a subcomponent of the next component listed higher in the parts list than itself that has only one bullet.

427 Stool Assembly

SECTION VI PARTS LIST

Order 
Medical and
Animal Health
Parts Online



MA333400

Used On Units With Serial Number BZ1000 thru BZ1834

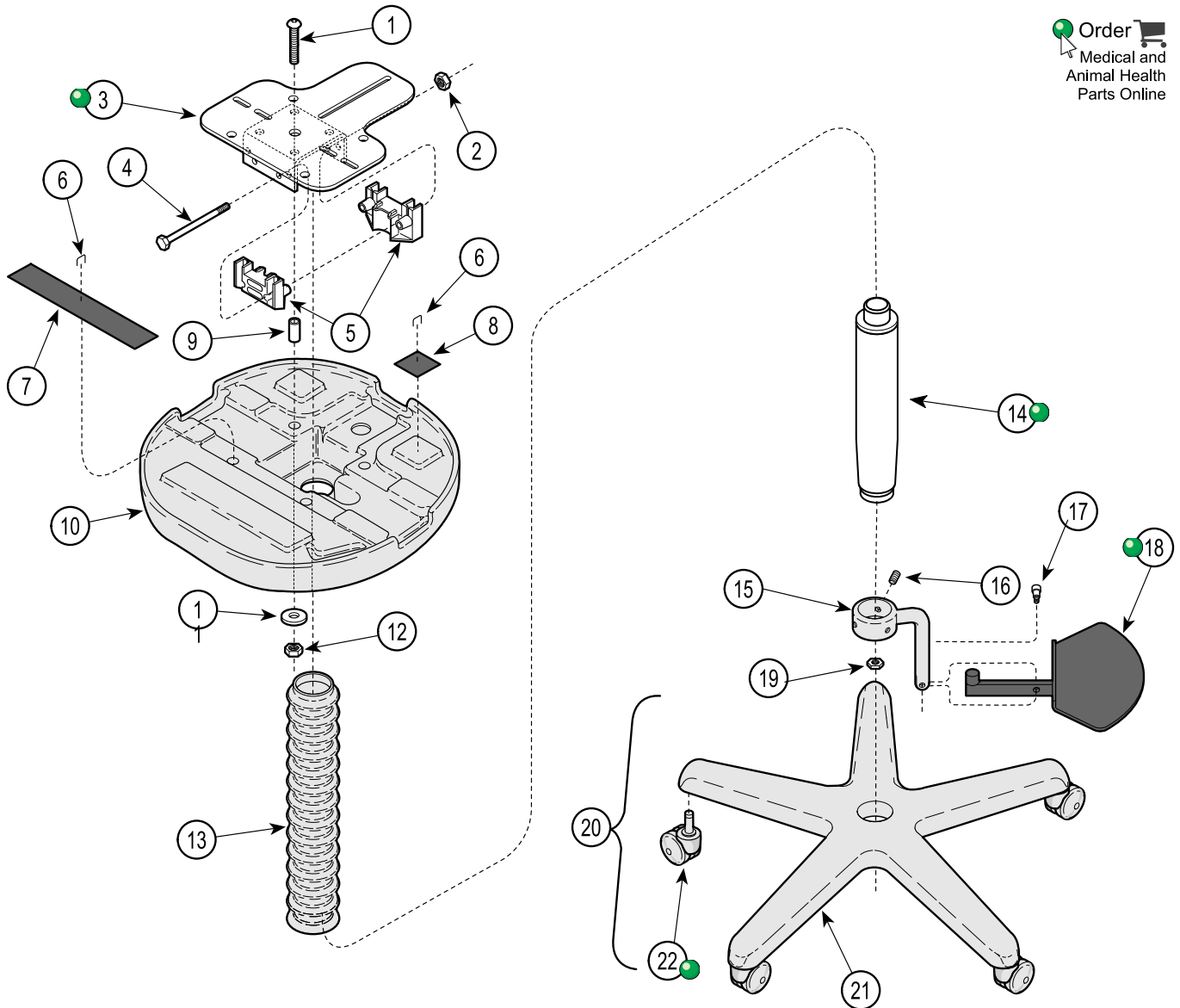
Item	Part No.	Description	Qty.	Item	Part No.	Description	Qty.
	427-001	Stool Assembly w/ Foot Release (Includes Items 1 thru 26)	1	15	• 002-1269-00	• Collar Retro Kit (Includes appropriate mounting hardware)	1
1	• 040-0250-82	• Screw	4	16	• 040-0250-05	• Set Screw (Apply Loctite #042-0025-00)	3
2	• 041-0312-01	• Nut	2	17	• 042-0014-22	• Shoulder Screw (Apply Loctite #042-0024-00)	1
3	• 050-4689-10	• Mounting Base Weldment	1	18	• 030-0644-00	• Foot Release Pedal Weldment	1
4	• 040-0312-09	• Screw	2	19	• 016-0182-00	• Hex Nut	1
5	• 016-0090-02	• Die Cast Jaw	2	20	• N.L.A.	• Roller Base Assembly (Includes Items 21 and 22)	1
6	• 042-0040-00	• Staple	76	21	• • 016-0493-00	• Roller Base (Less Casters)	1
7	• 053-0131-08	• Velcro Hook	1	22	• • N.L.A.	• • Twin Wheel Caster (Pearl Grey)	5
8	• 053-0131-00	• Velcro Hook	2		• • 016-0683-00	• • Twin Wheel Caster (Black)	5
9	• n/r	• Spacer (no longer required)	4	23	002-1004-00	Twin Wheel Caster Set (Includes [5] Black Casters) (Not Shown)	1
10	• 053-0342-00	• Upper Shell	1				
11	• 045-0001-60	• Washer	4				
12	• 041-0250-01	• Nut	4				
13	• 053-0344-00	• Cylinder Bellows	1				
14	• 002-1525-00	• Gas Cylinder Kit	1				

(N.L.A. denotes "No longer Available")
Always Specify Model & Serial Number

427 Stool Assembly

SECTION VI PARTS LIST

Order 
Medical and
Animal Health
Parts Online



MA333500

Used On Units With Serial Number BZ1835 thru BZ6818
Used On Units With Serial Number V2200 thru V289596

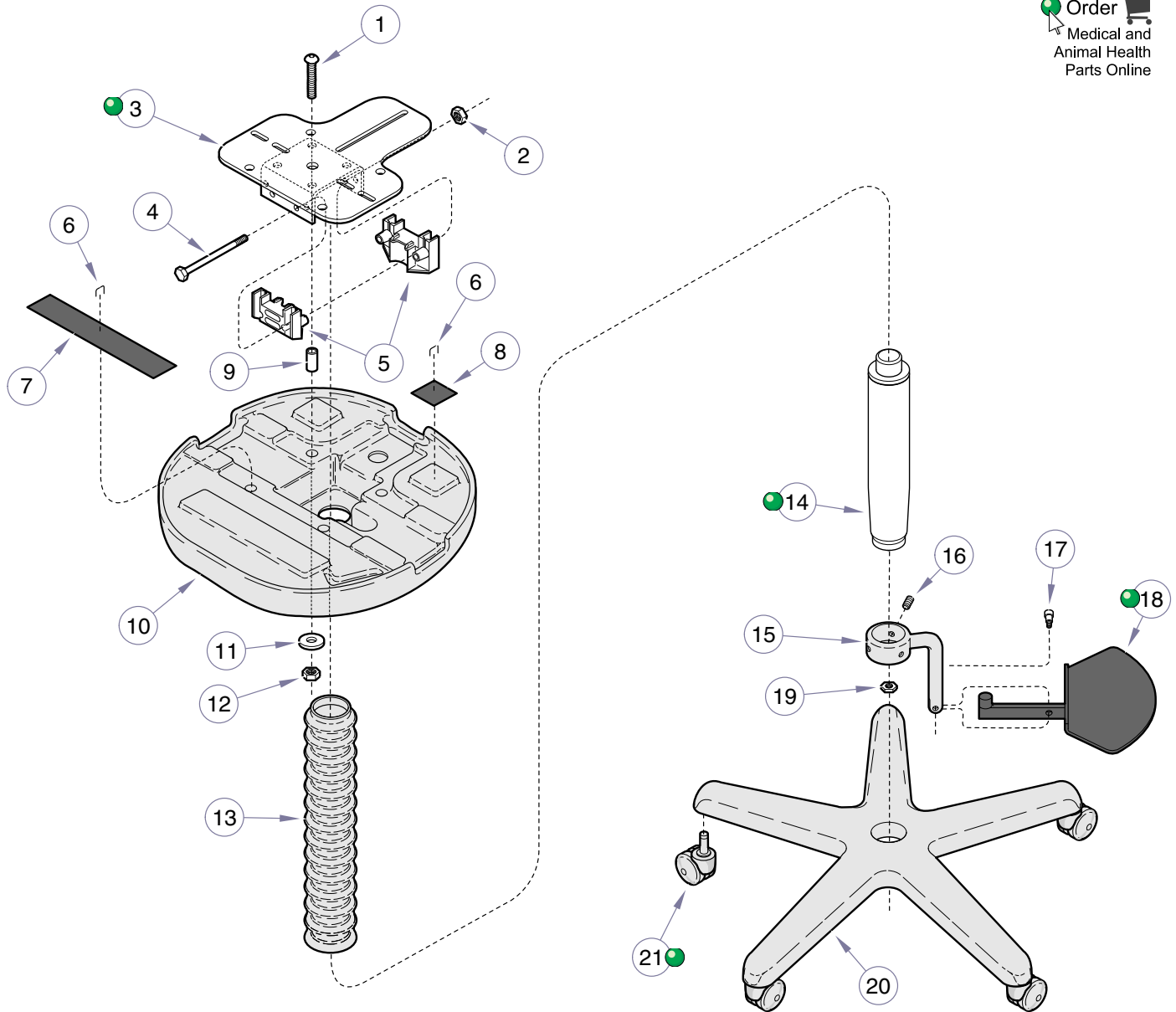
Item	Part No.	Description	Qty.	Item	Part No.	Description	Qty.
	427-001	Stool Assembly w/ Foot Release (Includes Items 1 thru 25)	1	15	• 002-1269-00	• Collar Retro Kit (Includes appropriate mounting hardware)	1
1	• 040-0250-82	• Screw	4	16	• 040-0250-05	• Set Screw (Apply Loctite #042-0025-00)	3
2	• 041-0312-01	• Nut	2	17	• 042-0014-22	• Shoulder Screw (Apply Loctite #042-0024-00)	1
3	• 050-4689-10	• Mounting Base Weldment	1	18	• 030-0644-00	• Foot Release Pedal Weldment	1
4	• 040-0312-09	• Screw	2	19	• 016-0182-00	• Hex Nut	1
5	• 016-0090-02	• Die Cast Jaw	2	20	• N.L.A.	• Roller Base Assembly (Includes Items 21 and 22)	1
6	• 042-0040-00	• Staple	76	21	•• 016-0493-00	•• Roller Base (Less Casters)	1
7	• 053-0131-08	• Velcro Hook	1	22	•• N.L.A.	•• Twin Wheel Caster (Pearl Grey)	5
8	• 053-0131-00	• Velcro Hook	2		•• 016-0683-00	•• Twin Wheel Caster (Black)	5
9	• n/a	• Spacer (no longer required)	4	23	002-1004-00	Twin Wheel Caster Set (Includes [5] Black Casters) (Not Shown)	1
10	• 053-0342-00	• Upper Shell	1				
11	• 045-0001-60	• Washer	4				
12	• 041-0250-01	• Nut	4				
13	• 053-0344-00	• Cylinder Bellows	1				
14	• 002-1525-00	• Gas Cylinder Kit	1				

(N.L.A. denotes "No longer Available")
Always Specify Model & Serial Number

427 Stool Assembly

SECTION VI PARTS LIST

Order 
Medical and
Animal Health
Parts Online



MA333503i

Used On Units With Serial Number V289597 thru V949286

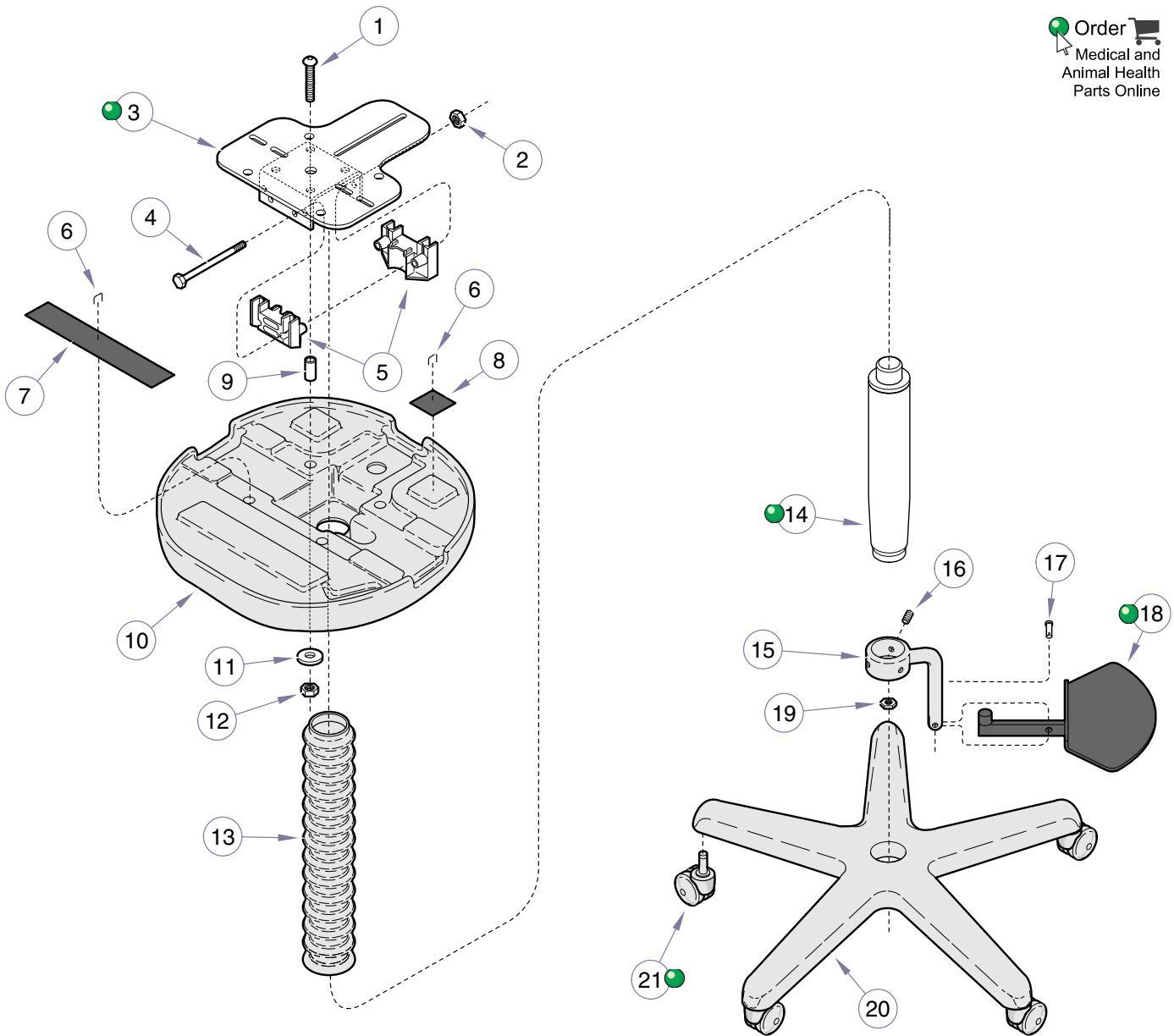
Item	Part No.	Description	Qty.	Item	Part No.	Description	Qty.
	427-001	Stool Assembly w/ Foot Release (Includes Items 1 thru 24)	1	12	• 041-0250-01	• Nut	4
1	• 040-0250-82	• Screw	4	13	• 053-0344-00	• Cylinder Bellows	1
2	• 041-0312-01	• Nut	2	14	• 002-1525-00	• Column Gas Cylinder Kit	1
3	• 050-4689-10	• Mounting Base Weldment	1	15	• 002-1269-00	• Collar Retro Kit (Includes items 16 & 17)	1
4	• 040-0312-09	• Screw	2	16	•• 040-0250-05	•• Set Screw (Apply Loctite #042-0025-00)	3
5	• 016-0090-02	• Die Cast Jaw	2	17	•• 042-0014-22	•• Shoulder Screw (Apply Loctite #042-0024-00)	1
6	• 042-0040-00	• Staple	76	18	• 030-0644-00	• Foot Release Pedal Weldment	1
7	• 053-0131-08	• Velcro Hook	1	19	• 016-0182-00	• Hex Nut	1
8	• 053-0131-00	• Velcro Hook	2	20	• 016-0493-00	• Roller Base (Less Casters)	1
9	• n/a	• Spacer (no longer required)	4	21	• 016-0683-00	• Twin Wheel Caster	5
10	• 053-0342-00	• Upper Shell	1				
11	• 045-0001-60	• Washer	4				

Always Specify Model & Serial Number

427 Stool Assembly

SECTION VI PARTS LIST

Order 
Medical and
Animal Health
Parts Online



MA333504i

Used On Units With Serial Number V949287 thru V1134336

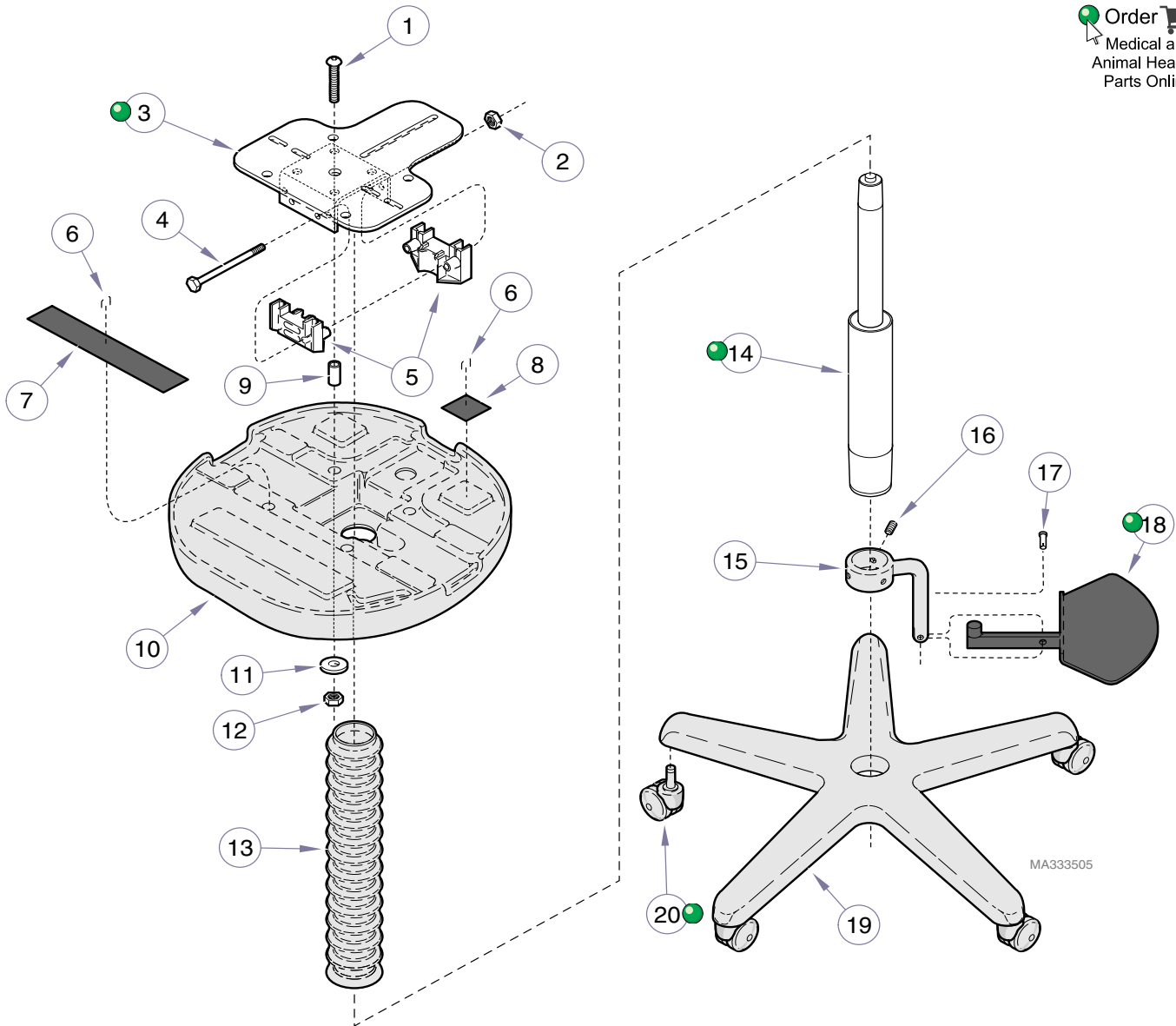
Item	Part No.	Description	Qty.	Item	Part No.	Description	Qty.
	427-001	Stool Assembly w/ Foot Release (Includes Items 1 thru 24)	1	12	• 041-0250-01	• Nut	4
1	• 040-0250-82	• Screw	4	13	• 053-0344-00	• Cylinder Bellows	1
2	• 041-0312-01	• Nut	2	14	• 002-1525-00	• Column Gas Cylinder Kit	1
3	• 050-4689-10	• Mounting Base Weldment	1	15	• 002-1269-00	• Collar Retro Kit (Includes items 16 & 17)	1
4	• 040-0312-09	• Screw	2	16	• 040-0250-05	• Set Screw (Apply Loctite #042-0025-00)	2
5	• 016-0090-02	• Die Cast Jaw	2	17	• 016-1018-00	• Pivot Pin	1
6	• 042-0040-00	• Staple	76	18	• 030-0644-00	• Foot Release Pedal Weldment	1
7	• 053-0131-08	• Velcro Hook	1	19	• 016-0182-00	• Hex Nut	1
8	• 053-0131-00	• Velcro Hook	2	20	• 016-0493-00	• Roller Base (Less Casters)	1
9	• n/a	• Spacer (no longer required)	4	21	• 016-0683-00	• Twin Wheel Caster	5
10	• 053-0342-00	• Upper Shell	1				
11	• 045-0001-60	• Washer	4				

Always Specify Model & Serial Number

427 Stool Assembly

SECTION VI PARTS LIST

Order 
Medical and
Animal Health
Parts Online



Used On Units With Serial Number V1134337 thru V1466250
Used On units With Serial Numbers VAF000001 thru Present

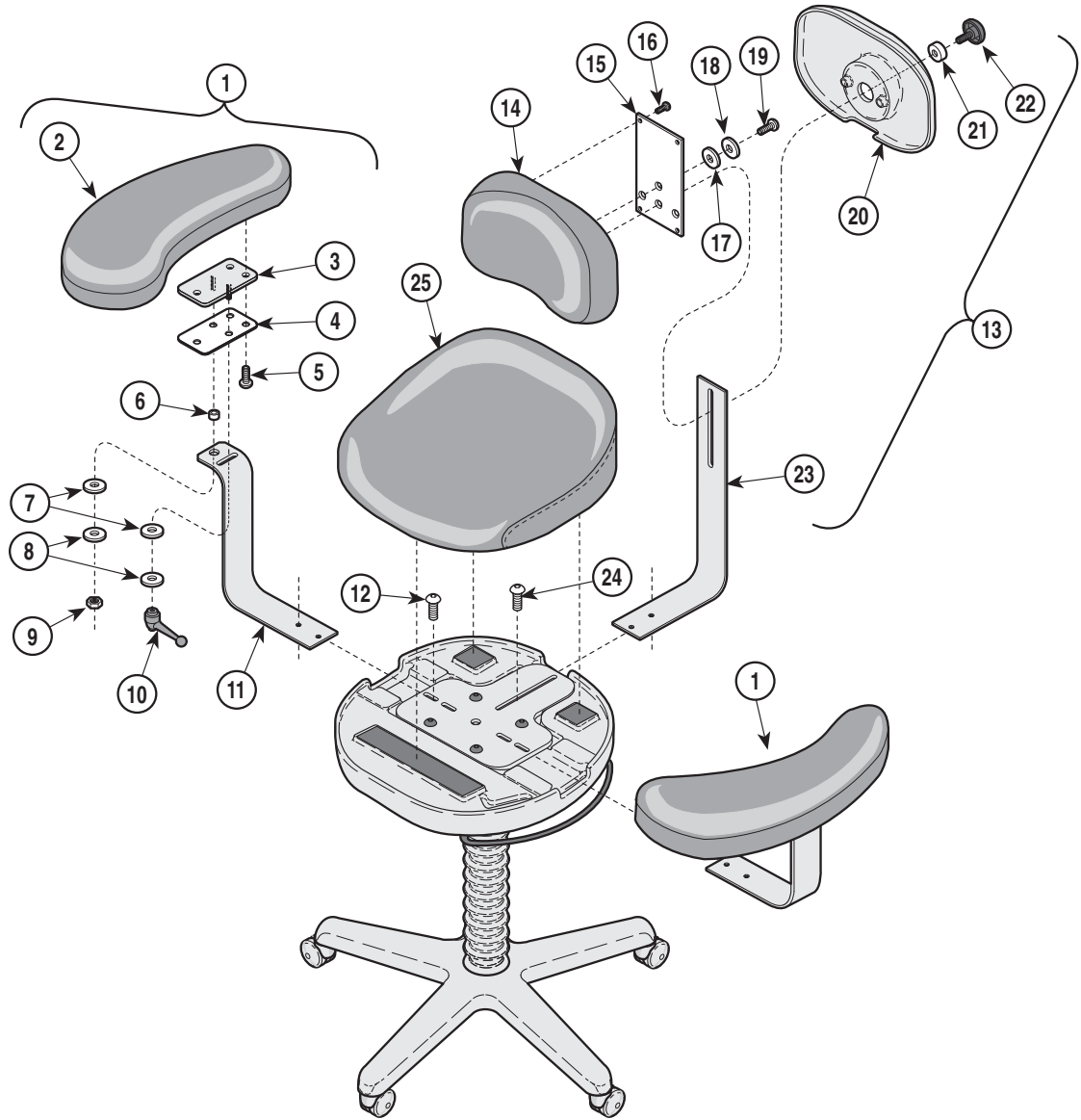
Item	Part No.	Description	Qty.	Item	Part No.	Description	Qty.
	427-001	Stool Assembly w/ Foot Release (Includes Items 1 thru 24)	1	11	• 045-0001-60	• Washer	4
1	• 040-0250-82	• Screw	4	12	• 041-0250-01	• Nut	4
2	• 041-0312-01	• Nut	2	13	• 053-0344-00	• Cylinder Bellows	1
3	• 050-4689-10	• Mounting Base Weldment	1	14	• 002-1525-00	• Air Cylinder Assembly	1
4	• 040-0312-09	• Screw	2	15	• 002-1269-00	• Collar Retro Kit (Includes item 16 & 17)	1
5	• 016-0090-02	• Die Cast Jaw	2	16	•• 040-0250-05	•• Set Screw (Apply Loctite #042-0025-00)	2
6	• 042-0040-00	• Staple	76	17	•• 016-1018-00	•• Pivot Pin	1
7	• 053-0131-08	• Velcro Hook	1	18	• 030-0644-00	• Foot Release Pedal Weldment	1
8	• 053-0131-00	• Velcro Hook	2	19	• 016-0493-00	• Roller Base (Less Casters)	1
9	• n/a	• Spacer (no longer required)	4	20	• 016-0683-00	• Twin Wheel Caster	5
10	• 053-0342-00	• Upper Shell	1				

Always Specify Model & Serial Number

Stool Accessories

SECTION VI PARTS LIST

Order 
Medical and
Animal Health
Parts Online



MA333300

Used On Units With Serial Number BZ1000 thru BZ6818
Used On Units With Serial Number V2200 thru V1134336

Item	Part No.	Description	Qty.	Item	Part No.	Description	Qty.
1	002-0275-XX	Stool Arm Kit (Includes Items 1 thru 12 [*Specify Color])	1	12	• 040-0250-08	• Screw	4
2	• 028-0224-XX	• R.H. Upholstered Armrest (*Specify Color)	1	13	002-0274-XX	Stool Backrest Kit (Includes Items 14 thru 24 [*Specify Color])	1
	• 028-0225-XX	• L.H. Upholstered Armrest (*Specify Color)	1	14	• 028-0223-XX	• Upholstered Backrest (*Specify Color)	1
3	• 030-0649-10	• Arm Pivot Weldment	2	15	• 053-0427-00	• Back Plate	1
4	• 053-0348-00	• Arm Pivot	2	16	• 040-0010-81	• Screw	4
5	• 040-0250-86	• Screw	6	17	• 045-0007-01	• Nylon Washer	1
6	• 053-0081-00	• Stop	2	18	• 045-0001-02	• Washer	1
7	• 045-0007-01	• Nylon Washer	4	19	• 040-0250-86	• Screw	1
8	• 045-0001-02	• Washer	4	20	• 053-0343-00	• Backrest Cover	1
9	• 041-0250-01	• Nut	2	21	• 053-0356-00	• Torque Knob Spacer	1
10	• 016-0374-00	• Torque Lever	2	22	• 016-0343-01	• Torque Knob	1
11	• 051-0593-00	• Arm Support Bar	2	23	• 051-0594-00	• Back Support Bar	1
				24	• 040-0250-08	• Screw	2
				25	002-0273-XX	Upholstered Seat (*Specify Color)	1

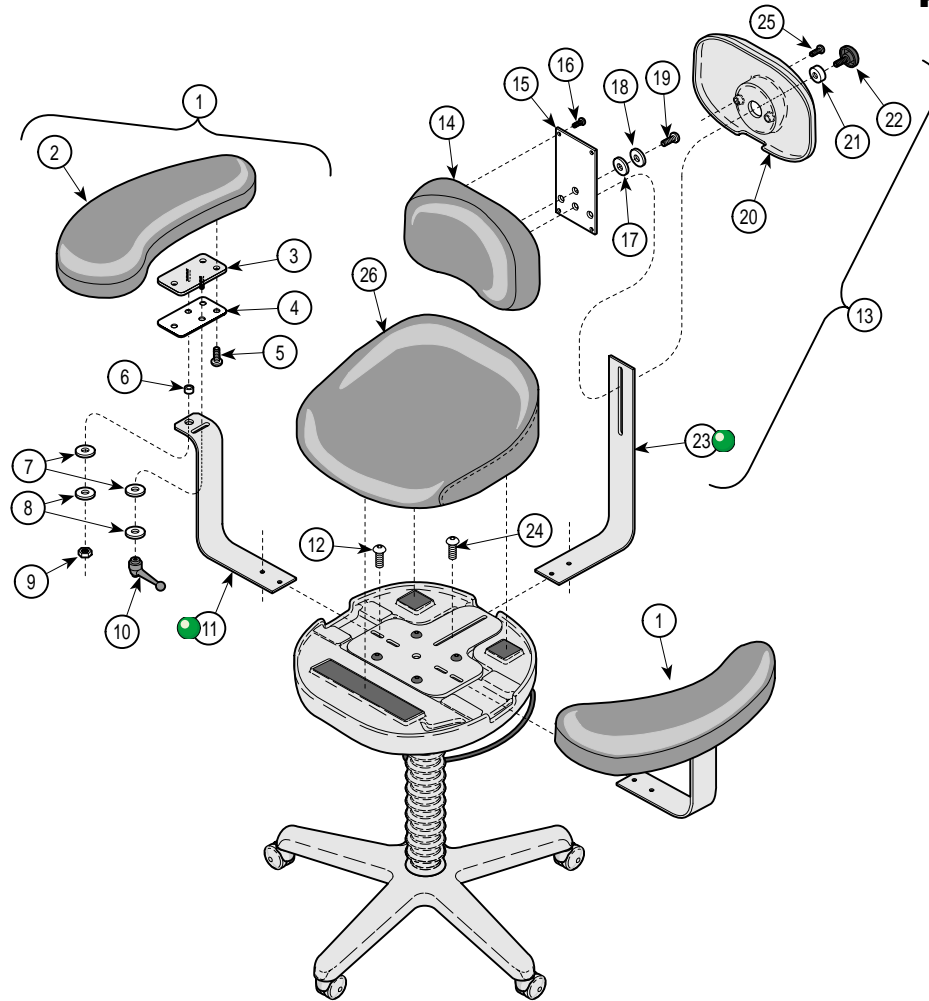
* Click on the Color Selector link above to see available colors.

Always Specify Model & Serial Number

Stool Accessories

SECTION VI PARTS LIST

Order 
Medical and
Animal Health
Parts Online



MA333303i

Used On Units With Serial Number V1134337 thru V1466250
Used On units With Serial Numbers VAF000001 thru Present

Item	Part No.	Description	Qty.	Item	Part No.	Description	Qty.
1	002-0275-xxx	Stool Arm Kit - Standard & UltraFree .. Upholstery (Incl. Items 1 thru 12 [*Specify Color]) 1		13	002-0274-xxx	Stool Backrest Kit - Standard & UltraFree Upholstery (Incl. Items 14 thru 25 [*Specify Color]) 1	
	002-0946-xxx	Stool Arm Kit - CAL 133 Upholstery (Incl. Items 1 thru 12 [*Specify Color]) 1			002-0945-xxx	Stool Backrest Kit - CAL 133 Upholstery (Incl. Items 14 thru 25 [*Specify Color]) 1	
2	•028-0224-00-xxx	•R.H. Standard & UltraFree Upholstered Armrest(*Specify Color) 1		14	•028-0223-00-xxx	•Standard & UltraFree Backrest (*Specify Color) 1	
	•028-0224-01-xxx	•R.H. CAL 133 Upholstered Armrest (*Specify Color) 1			•028-0223-01-xxx	•CAL 133 Backrest (*Specify Color) . 1	
	•028-0225-00-xxx	•L.H. Standard & UltraFree Upholstered Armrest(*Specify Color) 1		15	•053-0427-00	•Back Plate 1	
	•028-0225-01-xxx	•L.H. CAL 133 Upholstered Armrest (*Specify Color) 1		16	•040-0010-81	•Screw 4	
3	•030-0649-10	•Arm Pivot Weldment 2		17	•045-0007-01	•Nylon Washer 1	
4	•053-0348-00	•Arm Pivot 2		18	•045-0001-02	•Washer 1	
5	•040-0250-86	•Screw 6		19	•040-0250-121	•Screw 1	
6	•053-0081-00	•Stop 2		20	•053-0343-00	•Backrest Cover 1	
7	•045-0007-01	•Nylon Washer 4		21	•053-0356-00	•Torque Knob Spacer 1	
8	•045-0001-02	•Washer 4		22	•016-0343-01	•Torque Knob 1	
9	•041-0250-01	•Nut 2		23	•051-0594-10	•Back Support Bar 1	
10	•016-0374-00	•Torque Lever 2		24	•040-0250-08	•Screw 2	
11	•051-0593-10	•Arm Support Bar 2		25	•040-0250-87	•Screw 2	
12	•040-0250-08	•Screw 4		26	002-0273-xxx	Uphol. Seat - Standard & UltraFree (*Specify Color) 1	
					002-0944-xxx	Uphol. Seat -CAL 133 (*Specify Color)1	
				27	046-0003-00	1/8" Allen Wrench (Not Shown) 1	
				28	046-0005-00	5/32" Allen Wrench (Not Shown) 1	

* Click on the Color Selector link above to see available colors.

Always Specify Model & Serial Number

COMMENTS

The Technical Publications Department of Midmark Corporation takes pride in its publications. We are sure that our manuals will fill all of your needs when you are performing scheduled maintenance, servicing, or repairs on a Midmark product.

However, if you find any errors or feel that there should be a change, addition, or deletion to a manual, please let us know!

Page(s) and Paragraph(s) Needing Changed:

Description of Error or Desired Change:

Please fax or mail a copy of this completed comment sheet to:

Midmark Corporation
ATTN: Technical Publications Department
60 Vista Drive
Versailles, Ohio 45380
Fax: (937) 526-5542

FAX ORDERING FORM

(SERVICE PARTS ONLY)

NOTES:

- ALL **BLOCKED** AREAS MUST BE COMPLETED.
- USE FOR NON-WARRANTY FAX ORDERS ONLY. WARRANTY ORDERS MUST BE TELEPHONED IN (1-800-MIDMARK).

ATTENTION: SERVICE DEPARTMENT FAX#: 877-249-1793

ACCT #: _____

P.O. #: _____

DATE: _____

NAME: _____

SHIP TO: _____

ADDRESS: _____

CITY, ST.: _____

CONTACT: _____

PHONE: _____

NON-EMERGENCY ORDER - TO SHIP WITHIN 72 HOURS IF PART(S) IN STOCK.

EMERGENCY ORDER - TO SHIP WITHIN 24 HOURS IF PART(S) IN STOCK (IF ORDER IS RECEIVED BEFORE 1:00 P.M. E.S.T).

SEND NOTIFICATION IF PARTS ARE NOT AVAILABLE TO SHIP WITHIN 24 HOURS VIA E-MAIL OR FAX TO: _____

METHOD OF SHIPMENT

OTHER

UPS

FED EX

NEXT DAY A.M.

NEXT DAY A.M.

NEXT DAY P.M.

NEXT DAY P.M.

2ND DAY

2ND DAY

GROUND

ECONOMY

QTY.	PART #	DESCRIPTION (SPECIFY COLOR OF ITEM IF APPLICABLE)	COLOR CODE	PRICE/PER

TOTAL COST: \$

Midmark Corporation
60 Vista Drive
P.O. Box 286
Versailles, Ohio 45380-0286
937-526-3662
Fax 937-526-5542
midmark.com



Because we care.

Subject to change without notice.
Refer to www.Documark.com for latest revision.