

Dental Casework

Ritter®
by MIDMARK

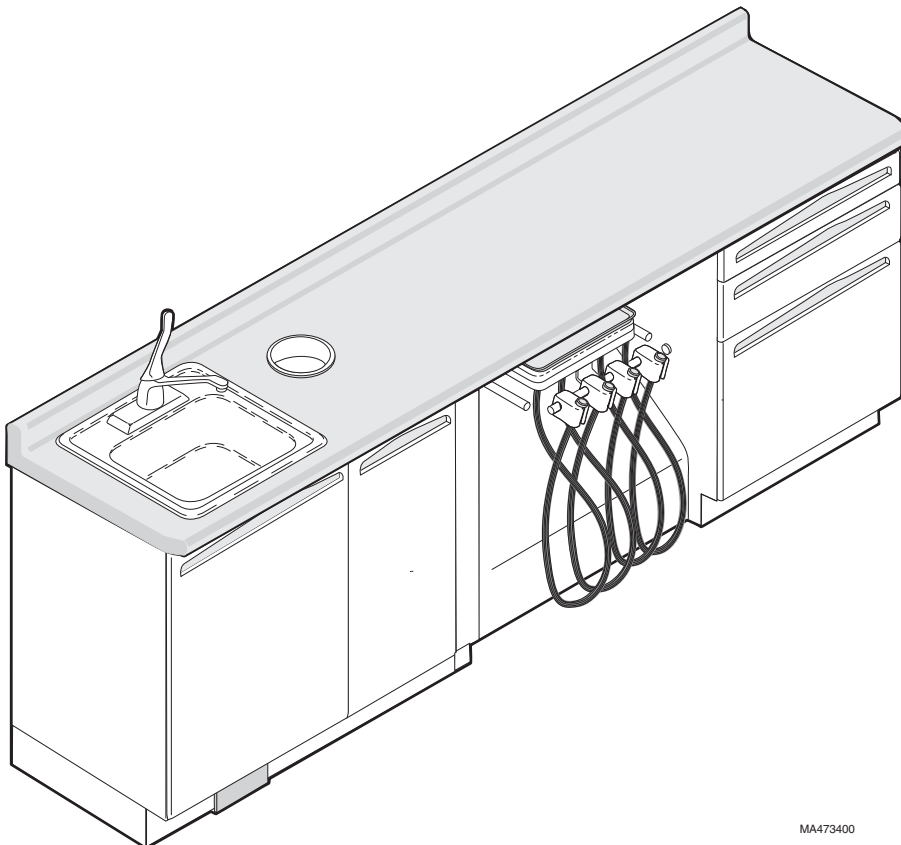
Service and Parts Manual

Used on all models of Knight Dental Casework

[Dr's Long Arm Side Delivery Casework shown]

NO LONGER IN PRODUCTION

Some service parts may not be available for this product!



MA473400

Dental Casework

FOR USE BY MIDMARK
TRAINED TECHNICIANS ONLY

SF-1600

Part No. 004-0237-00 Rev. (2/20/18)

TABLE OF CONTENTS

Section/Paragraph.....	Page	Section/Paragraph	Page
IMPORTANT INSTRUCTIONS		SECTION IV DOORS, DRAWERS, & MISC.	
General Safety Instructions	ii	4.1 How To Use This Section	4-1
Safety Alert Symbols	ii	<u>Parts Lists</u>	
Warranty Instructions	ii	Door Assemblies	4-2
		Drawer Assemblies	4-3
		Glove / Towel / Cup Dispenser	4-4
		Task Light Diffuser Panels	4-5
SECTION I GENERAL INFORMATION & DIMENSIONS		SECTION V DOCTOR's / ASSISTANT's SIDE CASEWORK	
1.1 Scope of Manual	1-1	5.1 How To Use This Section	5-1
1.2 Parts Replacement Ordering	1-1	<u>Parts Lists</u>	
1.3 Dimensions	1-1	Sink Section Components	5-2
Doctor's Short Arm Side		Short Arm Side Delivery	
Delivery Casework	1-1	Section Components	5-3
Doctor's Long Arm Side		Long Arm Side Delivery	
Delivery Casework	1-2	Section Components	5-4
Doctor's Side Casework	1-2	Doctor's Storage	
Assistant's Side Casework	1-3	Section Components	5-5
Multi-Operatory Sink Casework	1-3	Assistant's Storage Section	
12:00 Casework	1-4	Components	5-6
18.0 in. (45.7 cm) Dental Cabinet	1-4	Assistant's Overhead Unit Components	5-7
		18" Dental Cabinet Components	5-8
		Laminate Top Reference Table	5-9
		Solid Surface Top Reference Table	5-10
SECTION II MODEL INFORMATION		SECTION VI 12:00 CASEWORK UNITS	
2.1 Model Identification	2-1	6.1 How To Use This Section	6-1
2.2 Doors / Countertops / Drawers	2-1	<u>Parts Lists</u>	
Doctor's Short Arm Side		12:00 Delivery Casework Components	6-2
Delivery Casework	2-2	12:00 Treatment Casework	
Doctor's Long Arm Side		Components	6-3
Delivery Casework	2-3	12:00 Overhead Unit Components	6-4
Doctor's Side Casework	2-4	Task Light w/ X-ray Viewer & Clock	6-5
Assistant's Side Casework	2-5	Laminate Top Reference Table	6-6
12:00 Casework	2-6	Solid Surface Top Reference Table	6-7
12:00 Casework Options	2-7		
Multi-Operatory Sink Casework	2-8		
Glove / Towel / Cup Dispenser	2-8		
18.0 in. (45.7 cm) Dental Cabinet	2-9		
SECTION III SCHEMATICS AND DIAGRAMS			
3.1 Electrical Schematics /		COMMENTS	5-1
Wiring Diagrams	3-1	FAX ORDER FORM	5-2

General Safety Instructions

Safety First: The primary concern of Midmark Corporation is that this dental casework is maintained with the safety of the patient and staff in mind. To assure that services and repairs are completed safely and correctly, proceed as follows:

- (1) Read this entire manual before performing any services or repairs on this casework.
- (2) Be sure you understand the instructions contained in this manual before attempting to service or repair this casework.

Safety Alert Symbols

Throughout this manual are safety alert symbols that call attention to particular procedures. These items are used as follows:



DANGER

A **DANGER** is used for an imminently hazardous operating procedure, practice, or condition which, if not correctly followed, will result in loss of life or serious personal injury.



WARNING

A **WARNING** is used for a potentially hazardous operating procedure, practice, or condition which, if not correctly followed, could result in loss of life or serious personal injury.



CAUTION

A **CAUTION** is used for a potentially hazardous operating procedure, practice, or condition which, if not correctly followed, could result in minor or moderate injury. It may also be used to alert against unsafe practices.



EQUIPMENT ALERT

An **EQUIPMENT ALERT** is used for an imminently or potentially hazardous operating procedure, practice, or condition which, if not correctly followed, will or could result in serious, moderate, or minor damage to unit.

NOTE

A **NOTE** is used to amplify an operating procedure, practice or condition.

Warranty Instructions

Refer to the Knight by Midmark "Limited Warranty" printed in the Installation and Operation Manual for warranty information. Failure to follow the guidelines listed below will void the warranty and/or render the dental casework unsafe for operation.

- Do not attempt to disassemble the dental casework, or replace malfunctioning or damaged components unless you are one of Midmark's authorized service technicians.
- Do not substitute parts of another manufacturer when replacing inoperative or damaged components. Use only Midmark / Knight replacement parts.

SECTION I GENERAL INFORMATION

1.1 Scope of Manual

This manual contains dimensions, specific model information, and a complete parts breakdown for all models of Knight by Midmark Dental Casework.

1.2 Parts Replacement Ordering

If a part replacement is required, order the part directly from the factory as follows:

- (1) Determine the model of casework and specific section requiring service. (Refer to Section II if necessary).
- (2) Refer to the Parts List to determine the item numbers of the parts, part numbers of the parts, descriptions of the parts, and quantities of parts needed and record this data. (Refer to para 3.1).

NOTE

Ask the Purchasing Department of the company that owns the unit(s) for this information. Otherwise, this information may be obtained from the dealer that sold the unit(s).

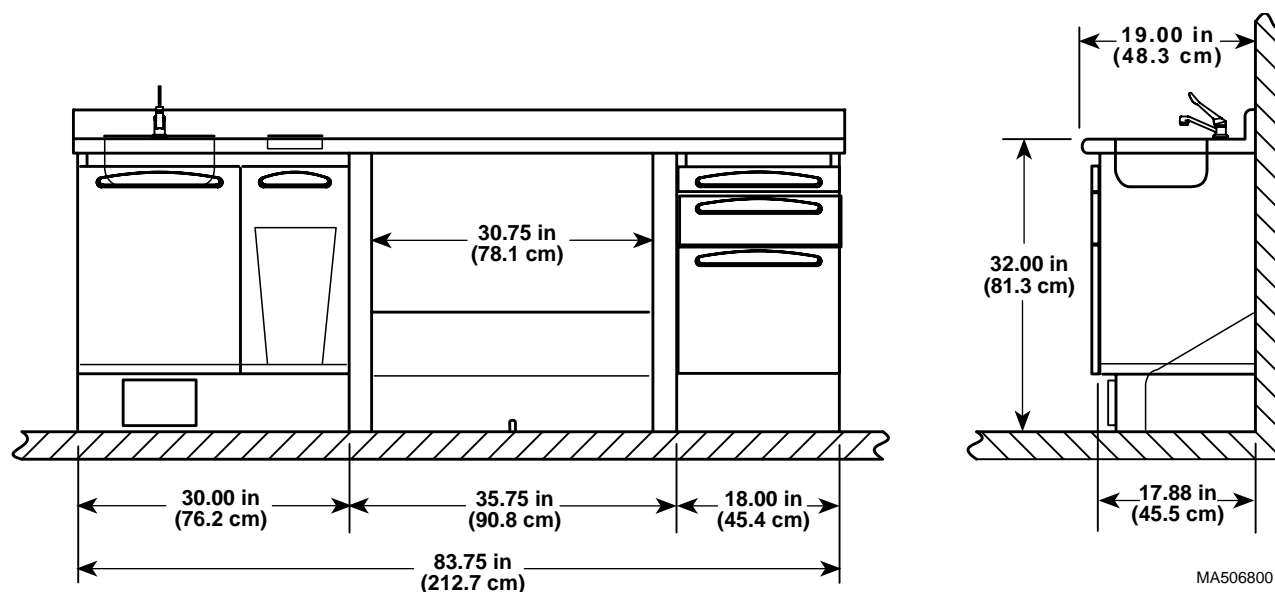
- (3) Determine the installation date of the casework and record this data.

- (4) Contact Midmark's Technical Service Department with the recorded information. See back cover of this manual for the phone number or use the Fax Order Form (See page 4-2 for Fax Order Form).

1.3 Dimensions

Figures 1-1 thru 1-7 provide dimensions for each model of dental casework.

DOCTOR'S SHORT ARM SIDE DELIVERY CASEWORK



MA506800

Figure 1-1. Doctor's Short Arm Side Delivery Casework Dimensions

DOCTOR'S LONG ARM SIDE DELIVERY CASEWORK

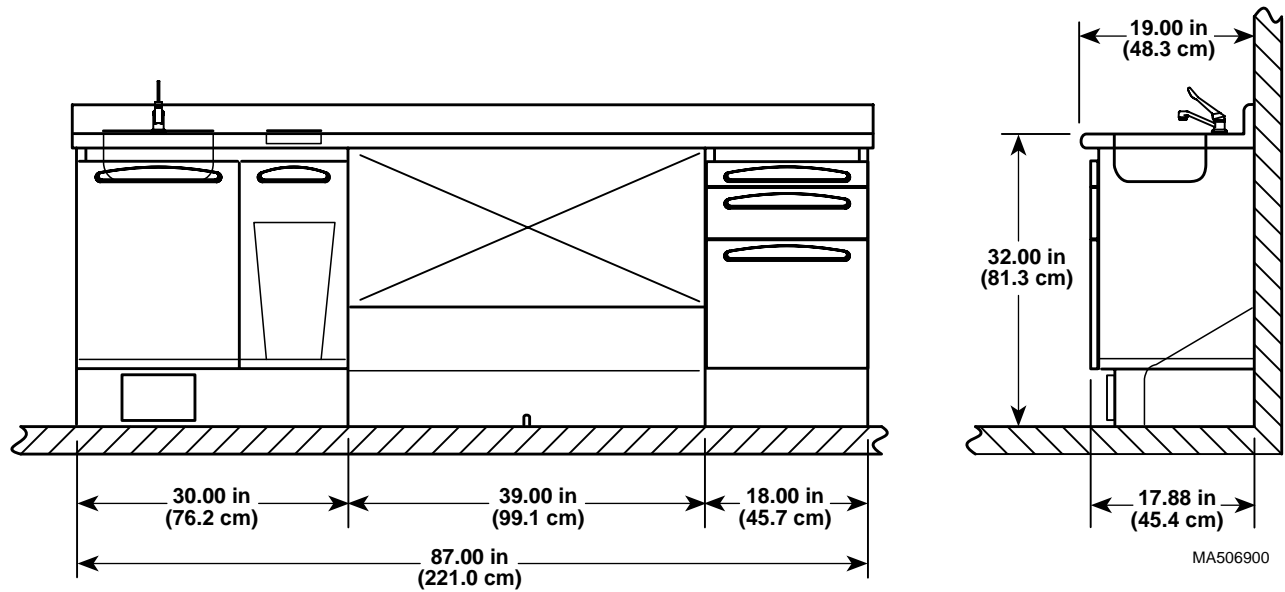


Figure 1-2. Doctor's Long Arm Side Delivery Casework Dimensions

DOCTOR'S SIDE CASEWORK

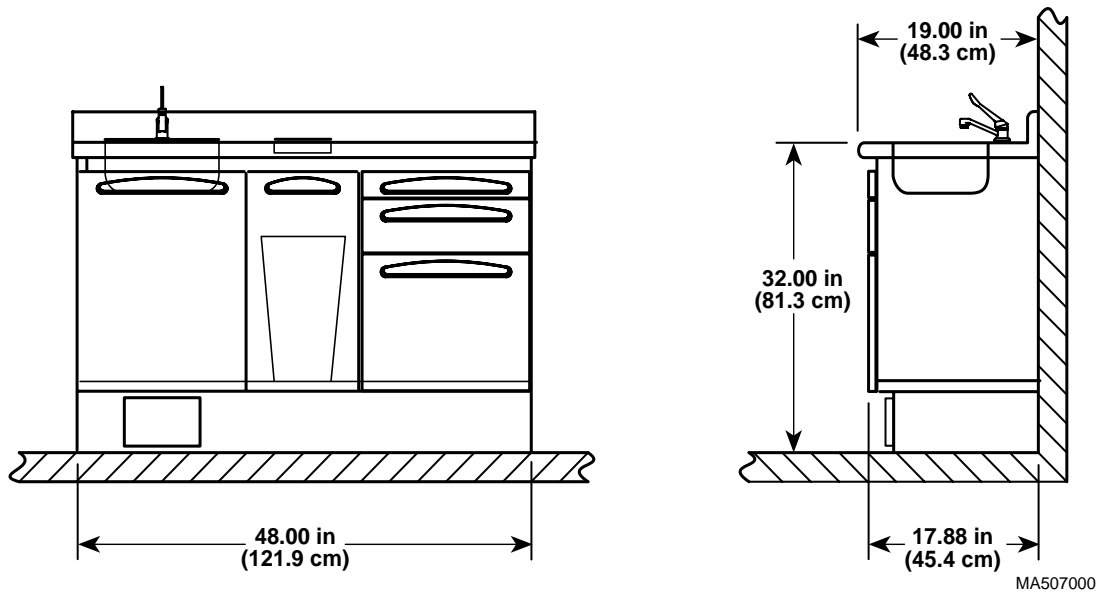


Figure 1-3. Doctor's Side Casework Dimensions

ASSISTANT'S SIDE CASEWORK

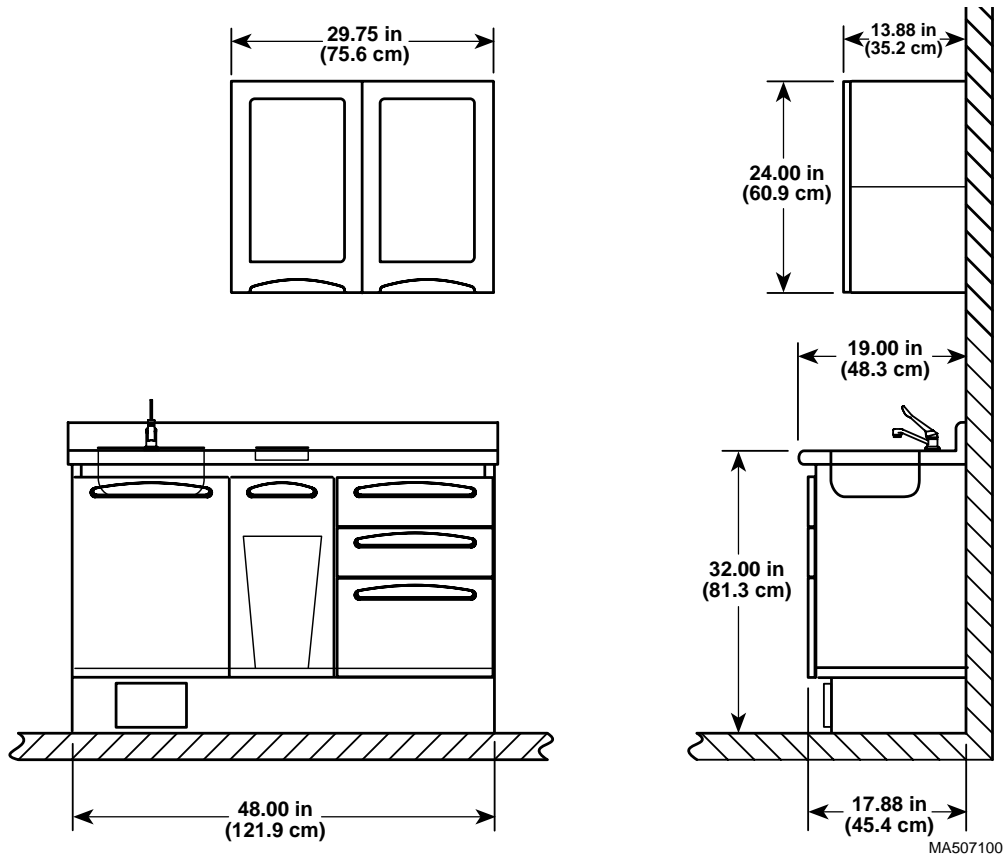


Figure 1-4. Assistant's Side Casework Dimensions

MULTI-OPERATORY SINK CASEWORK

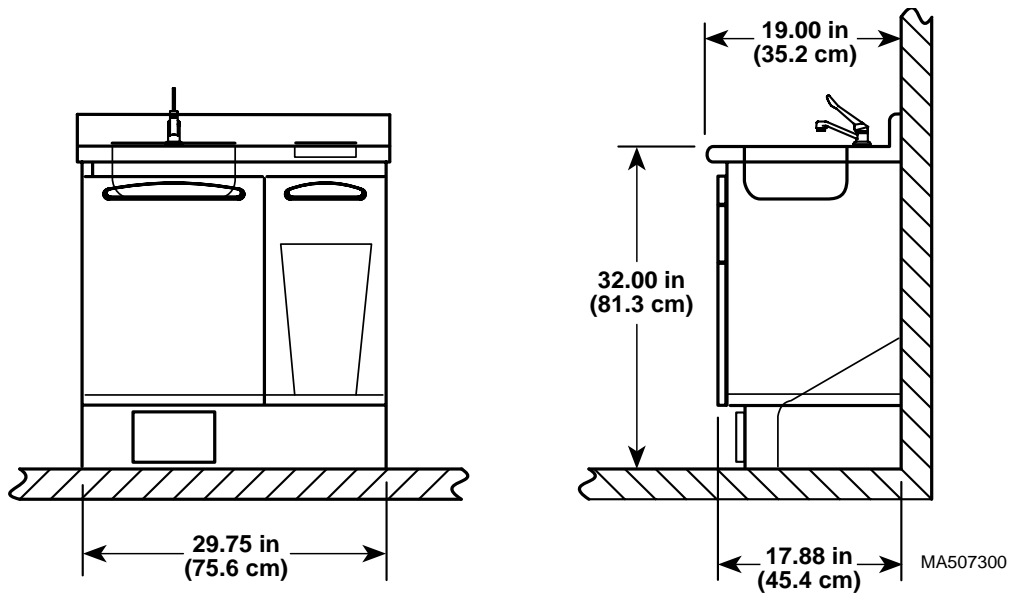


Figure 1-5. Multi-Operatory Sink Casework Dimensions

12:00 CASEWORK

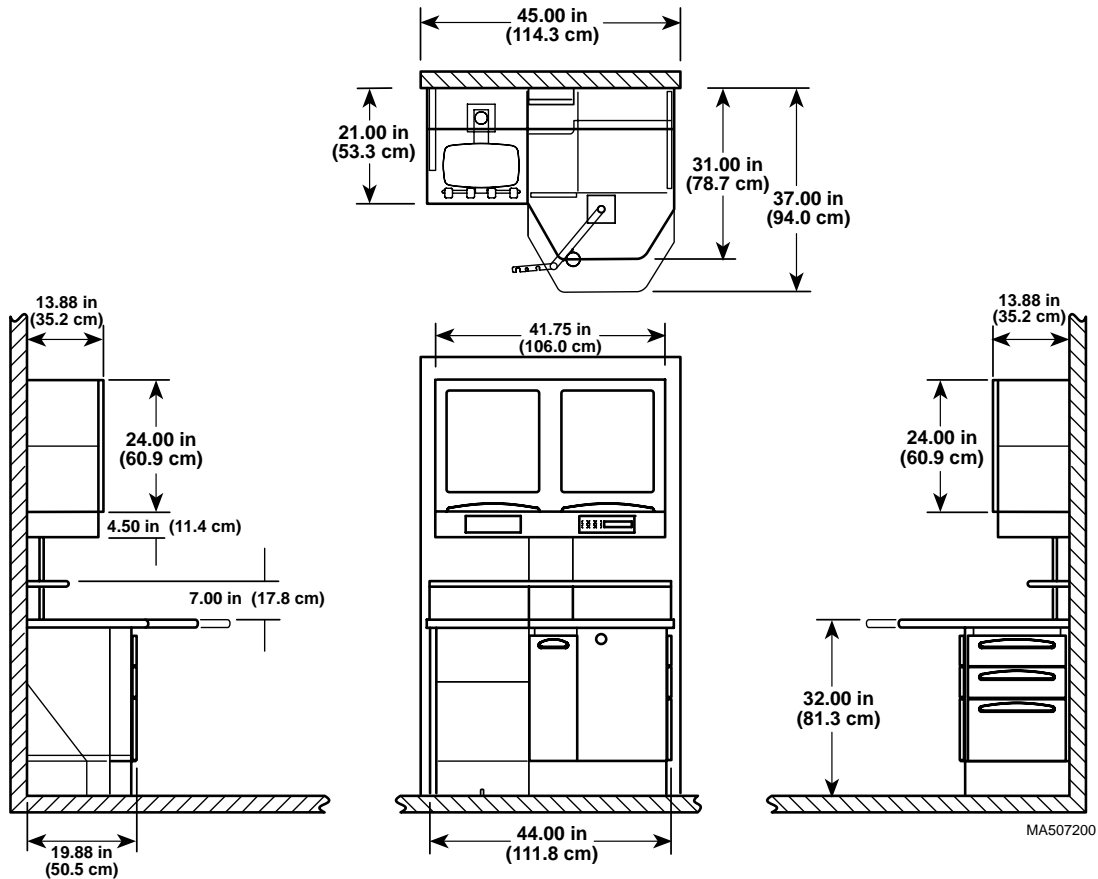


Figure 1-6. 12:00 Casework Dimensions

18.0 in. (45.7 cm) DENTAL CABINET

NOTE

The four drawer model is shown. The dimensions of the other available models are the same.

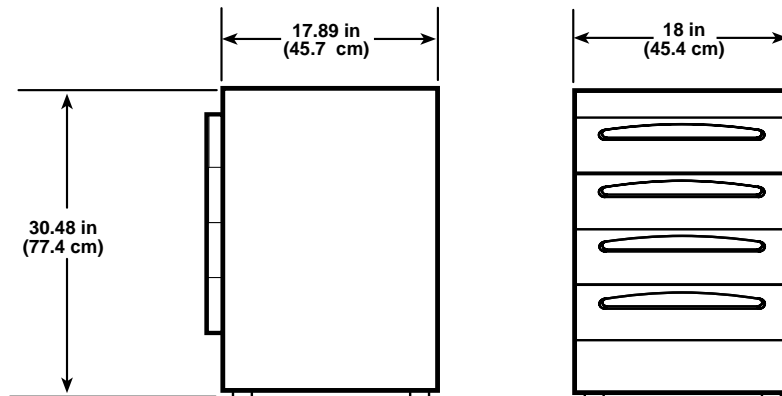


Figure 1-7. 18.0 in (45.7 cm) Dental Cabinet Dimensions

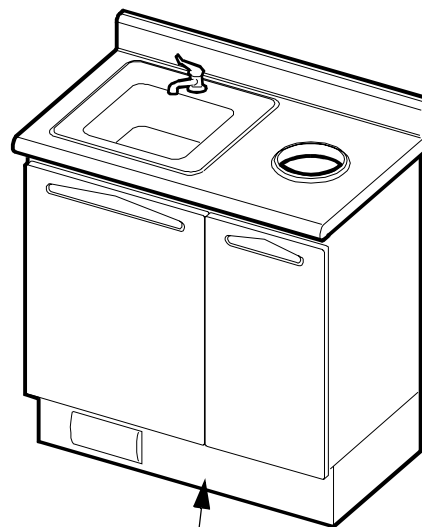
SECTION II MODEL INFORMATION

2.1 Model Identification

The following section provides general classifications, detailed descriptions, model number information, and illustrations for identifying the different models of dental casework.

To find replacement parts information when the model is unknown, use this manual as follows:

- (1) Locate the correct model of dental casework using the descriptions and illustrations in Section II.
- (2) Refer to the illustration to determine which section of the casework requires service.
- (3) Determine the name of the section by referring to the callouts located above or below the illustration. (See Example 2-1)
- (4) Refer to the parts breakdown in Section III indicated by the callout.



For parts breakdown, refer to:

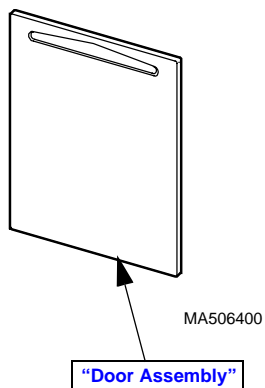
"Sink Section Components"

Example 2-1.

2.2 Doors / Countertops / Drawers

Refer to Figure 2-1 for parts information regarding doors, countertops, and / or drawers used with any model of Knight Dental Casework.

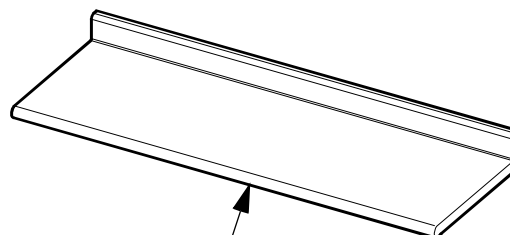
Door Assembly



For parts breakdown, refer to:

"Door Assembly"

Countertop Assembly



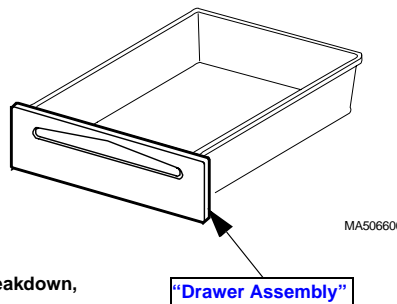
For part number information, refer to:

"Laminate Top Reference Table"

or

"Solid Surface Top Reference Table"

Drawer Assembly



For parts breakdown, refer to:

"Drawer Assembly"

Figure 2-1. Dental Casework Doors / Drawers / Countertops

DOCTOR'S SHORT ARM SIDE DELIVERY CASEWORK

Models

Listed below are the descriptions and model numbers of the available versions of Doctor's Short Arm Side Delivery Casework.

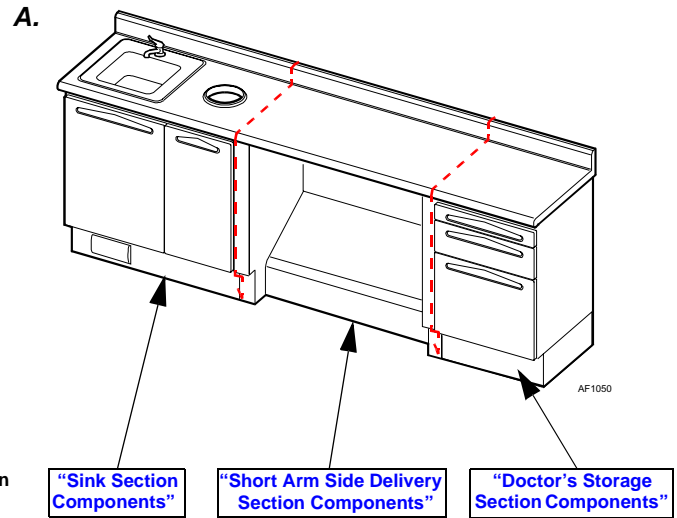
Short Arm Side Delivery Casework with Sink and Storage (A, Figure 2-1)

Laminate Top

DK-SDR001 RH Casework (shown)
DK-SDL001 LH Casework

Solid Surface Top

DK-SDR001SS RH Casework
DK-SDL001SS LH Casework



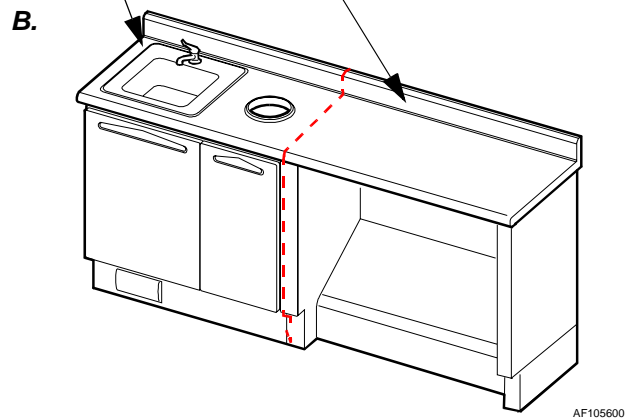
Short Arm Side Delivery Casework with Sink (B)

Laminate Top

DK-SDR002 RH Casework (shown)
DK-SDL002 LH Casework

Solid Surface Top

DK-SDR002SS RH Casework
DK-SDL002SS LH Casework



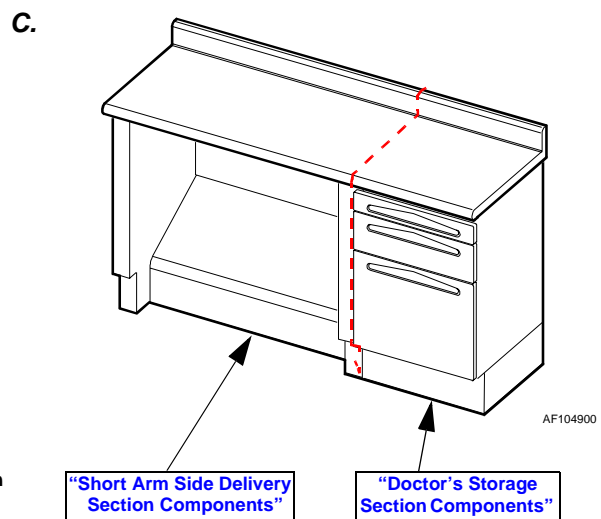
Short Arm Side Delivery Casework (C)

Laminate Top

DK-SDR003 RH Casework (shown)
DK-SDL003 LH Casework

Solid Surface Top

DK-SDR003SS RH Casework
DK-SDL003SS LH Casework



For parts breakdown of section, refer to:

Figure 2-2. Doctor's Short Arm Side Delivery Casework

DOCTOR'S LONG ARM SIDE DELIVERY CASEWORK

Models

Listed below are the descriptions and model numbers of the available versions of Doctor's Long Arm Side Delivery Casework.

Long Arm Side Delivery Casework with Sink and Storage (A, Figure 2-3)

Laminate Top

DK-SDR010 RH Casework (shown)
DK-SDL010 LH Casework

Solid Surface Top

DK-SDR010SS RH Casework
DK-SDL010SS LH Casework

Long Arm Side Delivery Casework with Sink (B)

Laminate Top

DK-SDR011 RH Casework (shown)
DK-SDL011 LH Casework

Solid Surface Top

DK-SDR011SS RH Casework
DK-SDL011 LH Casework

Long Arm Side Delivery Casework (C)

Laminate Top

DK-SDR012 RH Casework (shown)
DK-SDL012 LH Casework

Solid Surface Top

DK-SDR012SS RH Casework
DK-SDL012SS LH Casework

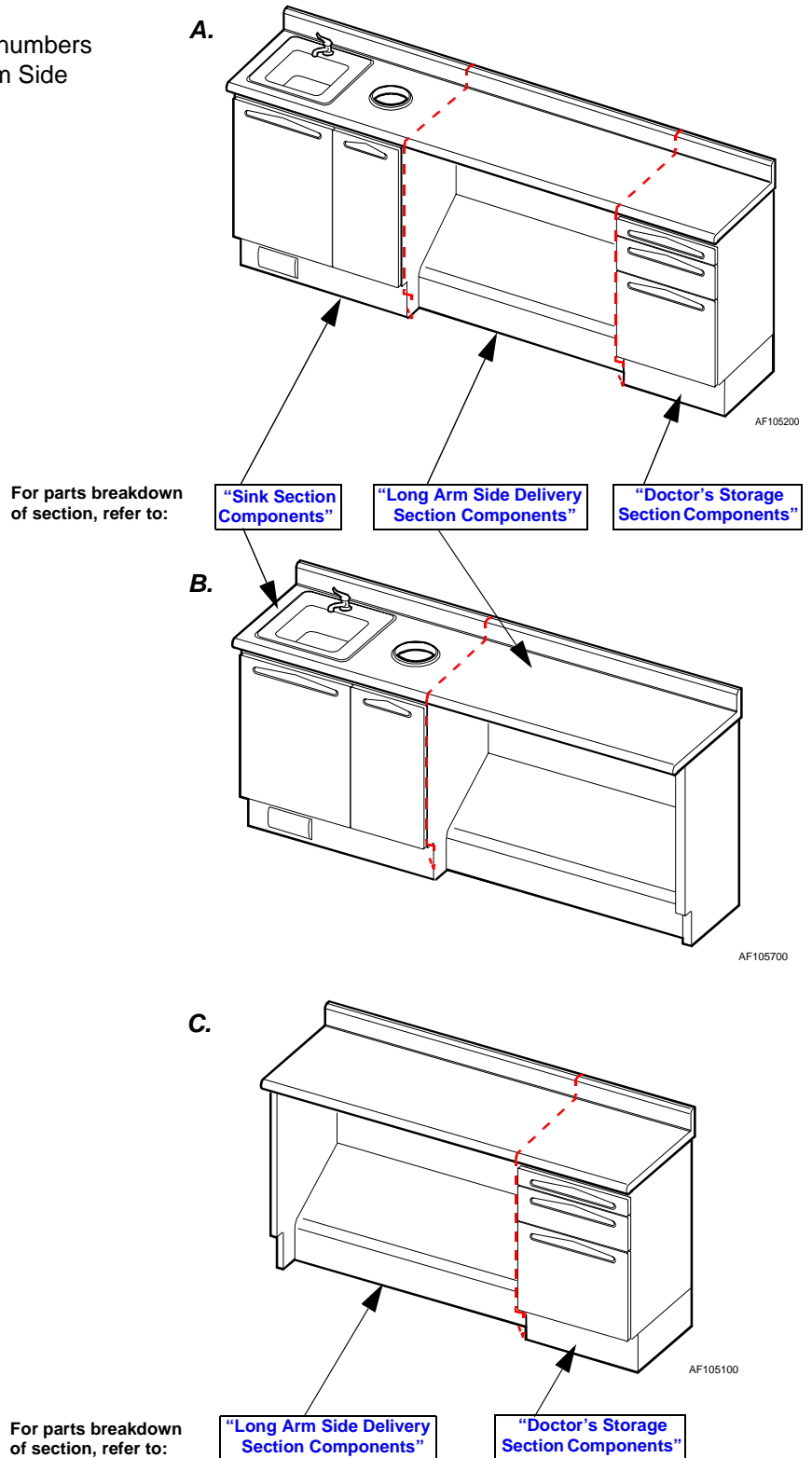


Figure 2-3. Doctor's Long Arm Side Delivery Casework

DOCTOR'S SIDE CASEWORK

Models

Listed below are the descriptions and model numbers of the available versions of Doctor's Side Casework.

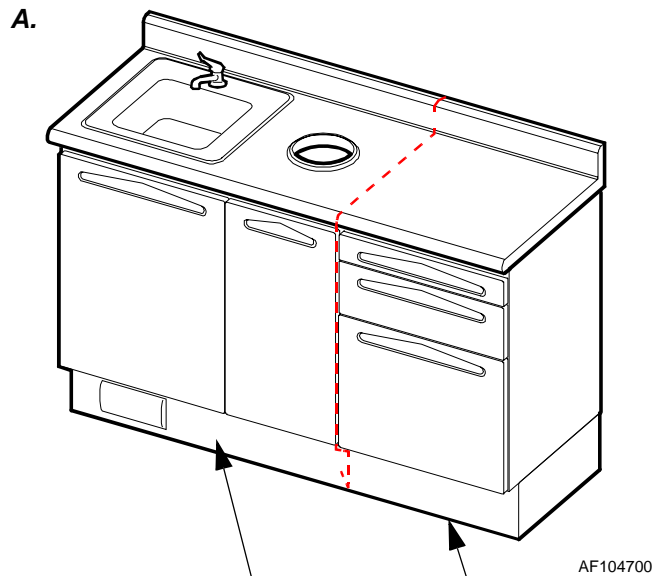
Doctor's Side Casework with Sink (A, Figure 2-4)

Laminate Top

DK-DRR001 RH Casework (shown)
DK-DRL001 LH Casework

Solid Surface Top

DK-DRR001SS RH Casework
DK-DRL001SS LH Casework



For parts breakdown
of section, refer to:

"Sink Section
Components"

"Doctor's Storage
Section Components"

Doctor's Side Casework (B)

Laminate Top

DK-DRR002 RH Casework (shown)
DK-DRL002 LH Casework

Solid Surface Top

DK-DRR002SS RH Casework
DK-DRL002SS LH Casework

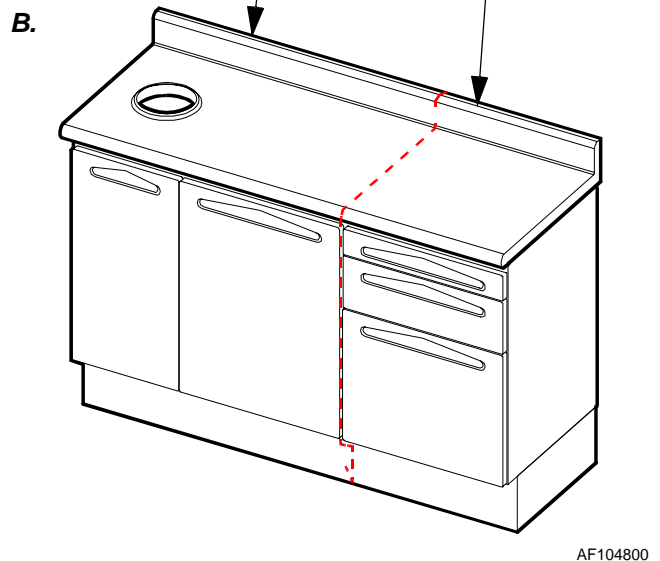


Figure 2-4. Doctor's Side Casework

ASSISTANT'S SIDE CASEWORK

Models

Listed below are the descriptions and model numbers of the available versions of Assistant's Side Casework.

Assistant's Side Casework with Sink (A, Figure 2-5)

Laminate Top

DK-ASR001 RH Casework w/ Overhead
DK-ASL001 LH Casework w/ Overhead
DK-ASR002 RH Casework (shown)
DK-ASL002 LH Casework

Solid Surface Top

DK-ASR001SS RH Casework w/ Overhead
DK-ASL001SS LH Casework w/ Overhead
DK-ASR002SS RH Casework (shown)
DK-ASL002SS LH Casework

Assistant's Side Casework (B)

Laminate Top

DK-ASR003 RH Casework w/ Overhead
DK-ASL003 LH Casework w/ Overhead
DK-ASR004 RH Casework (shown)
DK-ASL004 LH Casework

Solid Surface Top

DK-ASR003SS RH Casework w/ Overhead
DK-ASL003SS LH Casework w/ Overhead
DK-ASR004SS RH Casework (shown)
DK-ASL004SS LH Casework

Overhead Unit Only (C)

DK-AOH002 (shown)

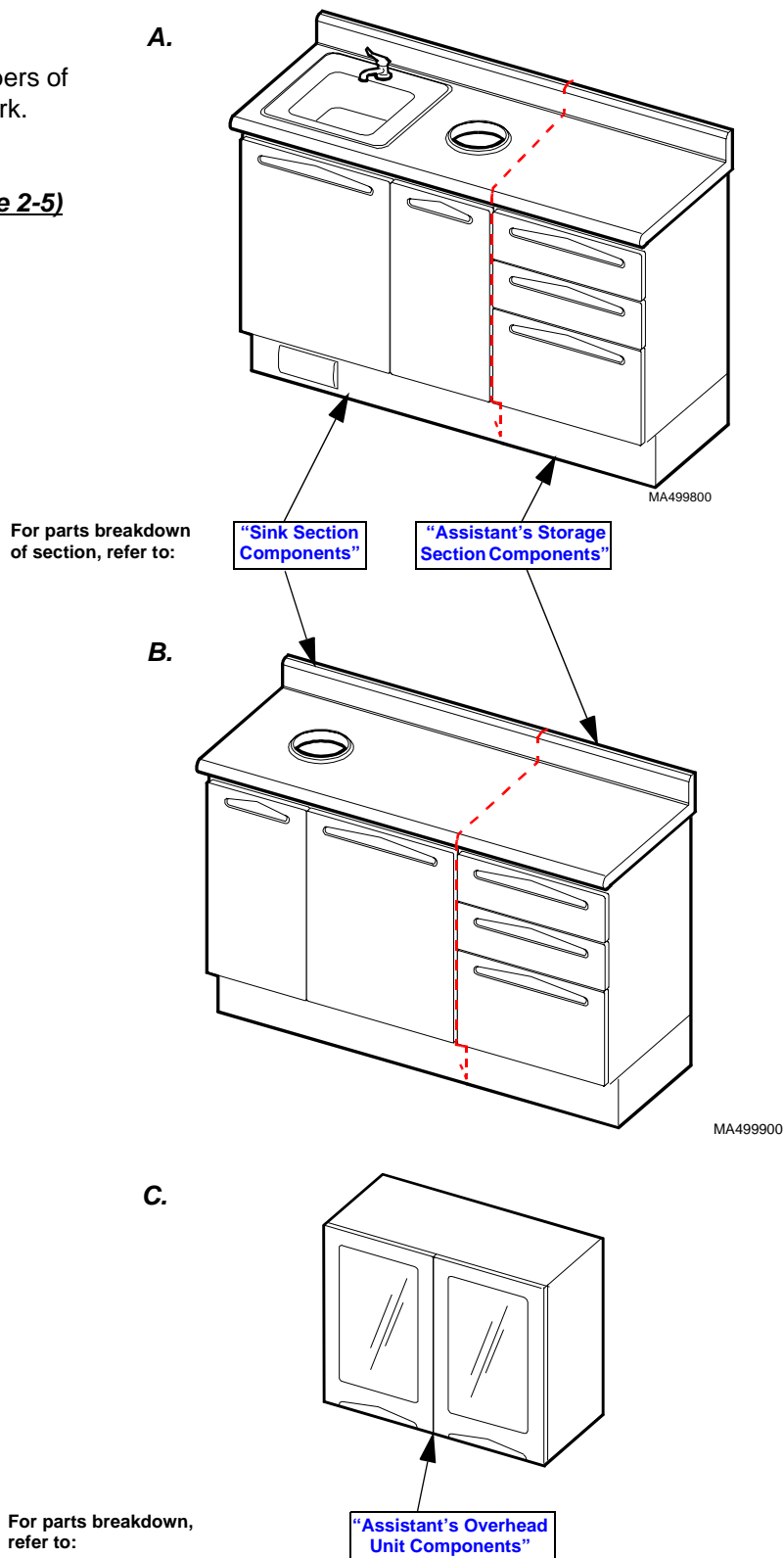


Figure 2-5. Assistant's Side Casework

12:00 CASEWORK

Models

Listed below are the descriptions and model numbers of the available versions of 12:00 Casework.

Delivery Casework (A, Figure 2-6)

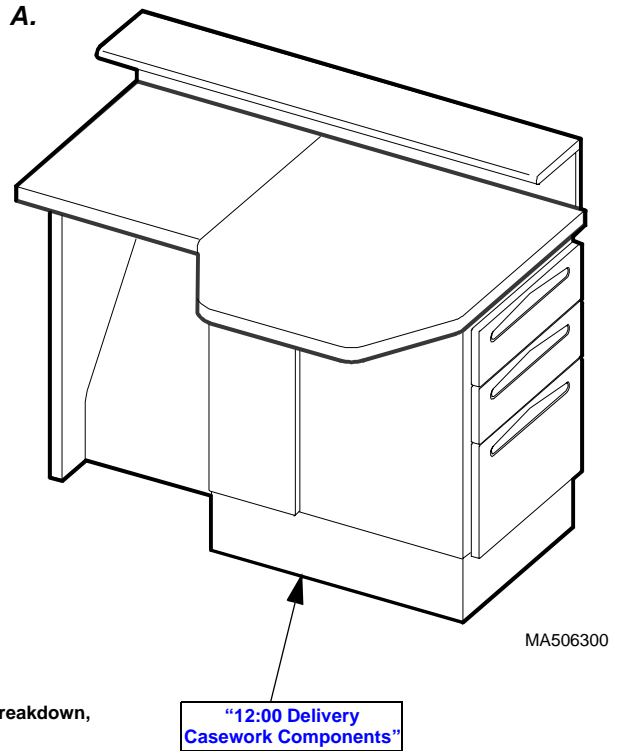
Fits on 45 in. (114.3 cm) wall

Laminate Top

DK-RDR001 RH Casework w/Overhead & Task Light
DK-RDL001 LH Casework w/Overhead & Task Light
DK-RDR002 RH Casework w/Overhead
DK-RDL002 LH Casework w/Overhead
DK-RDR003 RH Casework (shown)
DK-RDL003 LH Casework

Solid Surface Top

DK-RDR001SS RH Casework w/Overhead & Task Light
DK-RDL001SS LH Casework w/Overhead & Task Light
DK-RDR002SS RH Casework w/Overhead
DK-RDL002SS LH Casework w/Overhead
DK-RDR003SS RH Casework (shown)
DK-RDL003SS LH Casework



Treatment Casework (B)

Fits on 45 in. (114.3 cm) wall

Laminate Top

DK-RTR001 RH Casework w/Overhead & Task Light
DK-RTL001 LH Casework w/Overhead & Task Light
DK-RTR002 RH Casework w/Overhead
DK-RTL002 LH Casework w/Overhead
DK-RTR003 RH Casework (shown)
DK-RTL003 LH Casework

Solid Surface Top

DK-RTR001SS RH Casework w/Overhead & Task Light
DK-RTL001SS LH Casework w/Overhead & Task Light
DK-RTR002SS RH Casework w/Overhead
DK-RTL002SS LH Casework w/Overhead
DK-RTR003SS RH Casework (shown)
DK-RTL003SS LH Casework

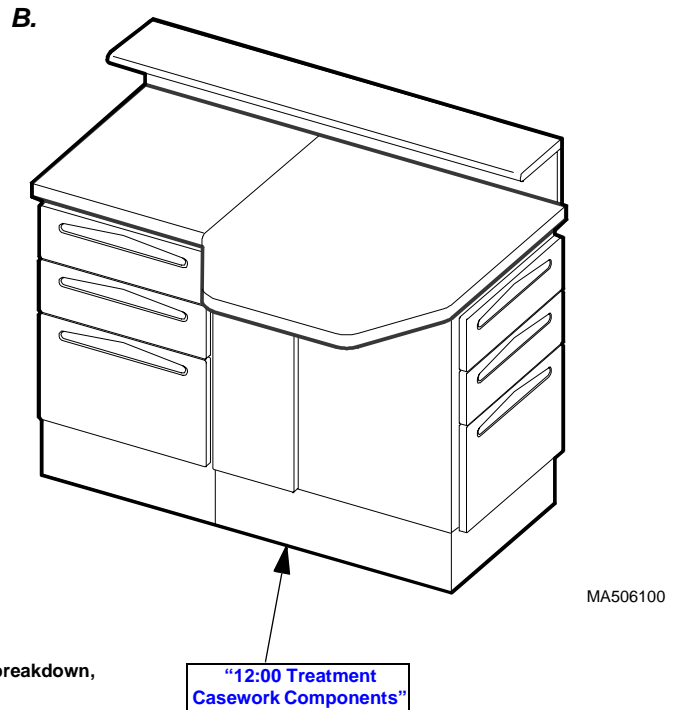


Figure 2-6. 12:00 Casework

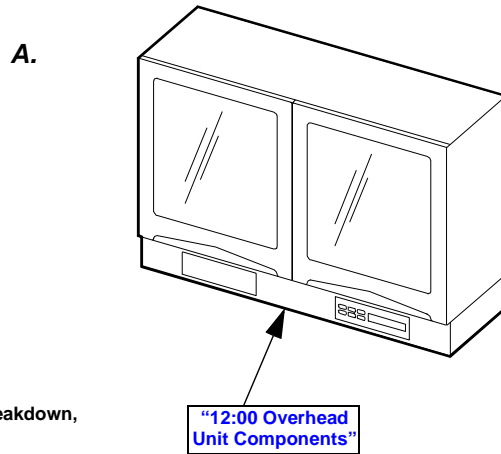
12:00 CASEWORK OPTIONS

Models

Listed below are the descriptions and model numbers of the available options for use with 12:00 Casework.

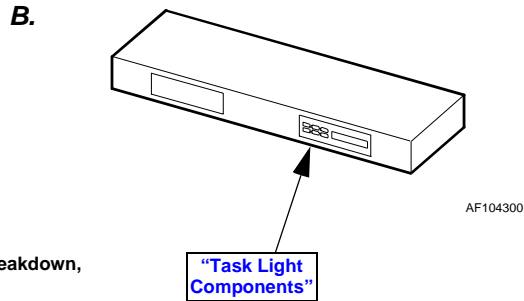
Overhead Unit (A, Figure 2-7)

DK-AOH001 Task Light, X-ray Viewer, & Clock not included



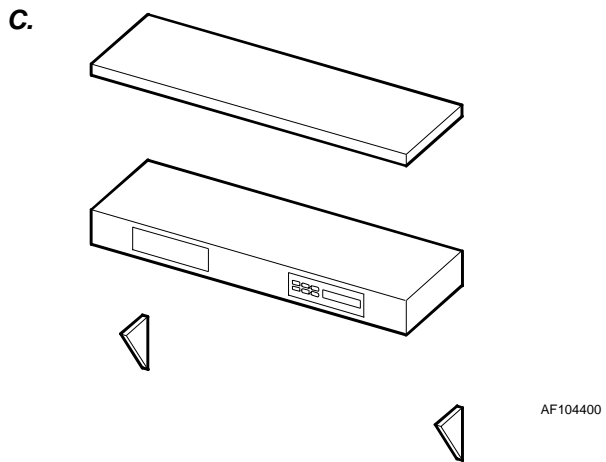
Task Light w/ X-ray Viewer & Clock (B)

DK-ATR001 RH Task Light; Overhead not included
DK-ATL001 LH Task Light; Overhead not included



Task Light Free Standing Support Kit (C)

DK-ATS001 Task Light, X-ray Viewer, & Clock not included



Short Midshelf Options (Not Shown)

DK-ACR001 RH Version
DK-ACL001 LH Version

Keyboard Arm for Midshelf (Not Shown)

15322

Figure 2-7. 12:00 Casework Options

MULTI-OPERATORY SINK CASEWORK

Models

Listed below are the descriptions and model numbers of the available versions of Multi-Operatory Sink Casework.

Multi-Operatory Sink Casework (Figure 2-8)

Laminate Top

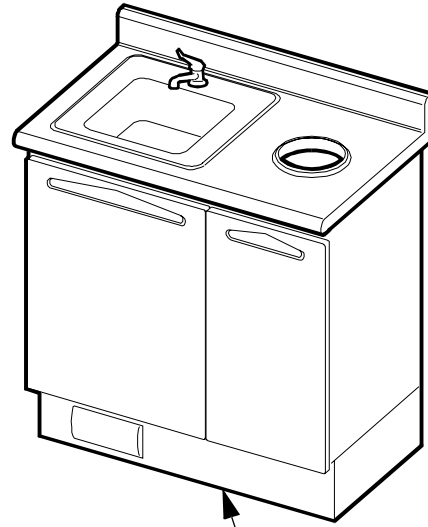
DK-SKR001 RH Casework

DK-SKL001 LH Casework

Solid Surface Top

DK-SKR001SS RH Casework

DK-SKL001SS LH Casework



AF105300

For parts breakdown,
refer to:

"Sink Section
Components"

Figure 2-8. Multi-Operatory Sink Casework

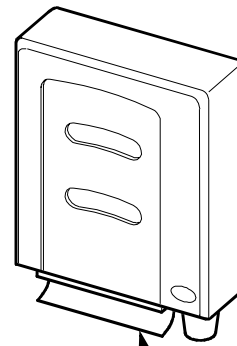
GLOVE / TOWEL / CUP DISPENSER

Models

Listed below is the description and model number of the Glove / Towel / Cup Dispenser.

Glove / Towel / Cup Dispenser (Figure 2-9)

DK-ADS001



AF105800

For parts breakdown,
refer to:

"Glove / Towel /
Cup Dispenser"

Figure 2-8. Glove / Towel / Cup Dispenser

18.0 in. (45.7 cm) DENTAL CABINET

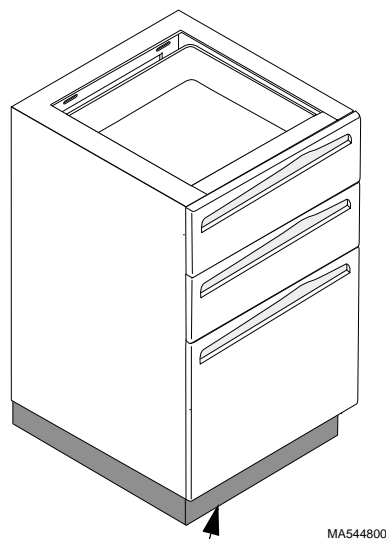
Models

Listed below are the descriptions and model numbers of the available versions of the 18.0 in. (45.7 cm) Dental Cabinet.

18.0 in. (45.7 cm) Dental Cabinet w/Drawers (Figure 2-10)

DK-ABC001 (4 Drawers)

DK-ABC002 [3 Drawers (shown)]



For parts breakdown,
refer to:

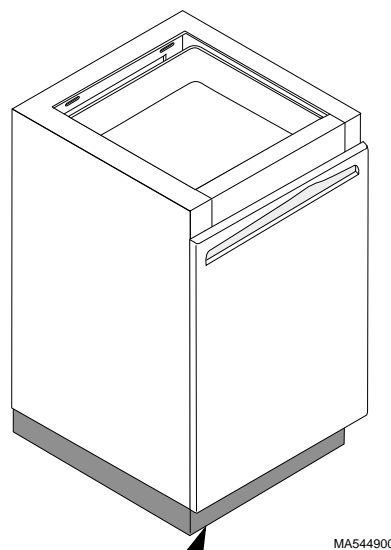
**"18.0 (45.7cm) Dental
Cabinet Components"**

**Figure 2-9. 18.0 in. (45.7 cm) Dental Cabinet
(w/Drawers)**

18.0 in. (45.7 cm) Dental Cabinet w/Door (Figure 2-10)

DK-ABC003 [Storage, RH (shown)]

DK-ABC004 (Storage, LH)



For parts breakdown,
refer to:

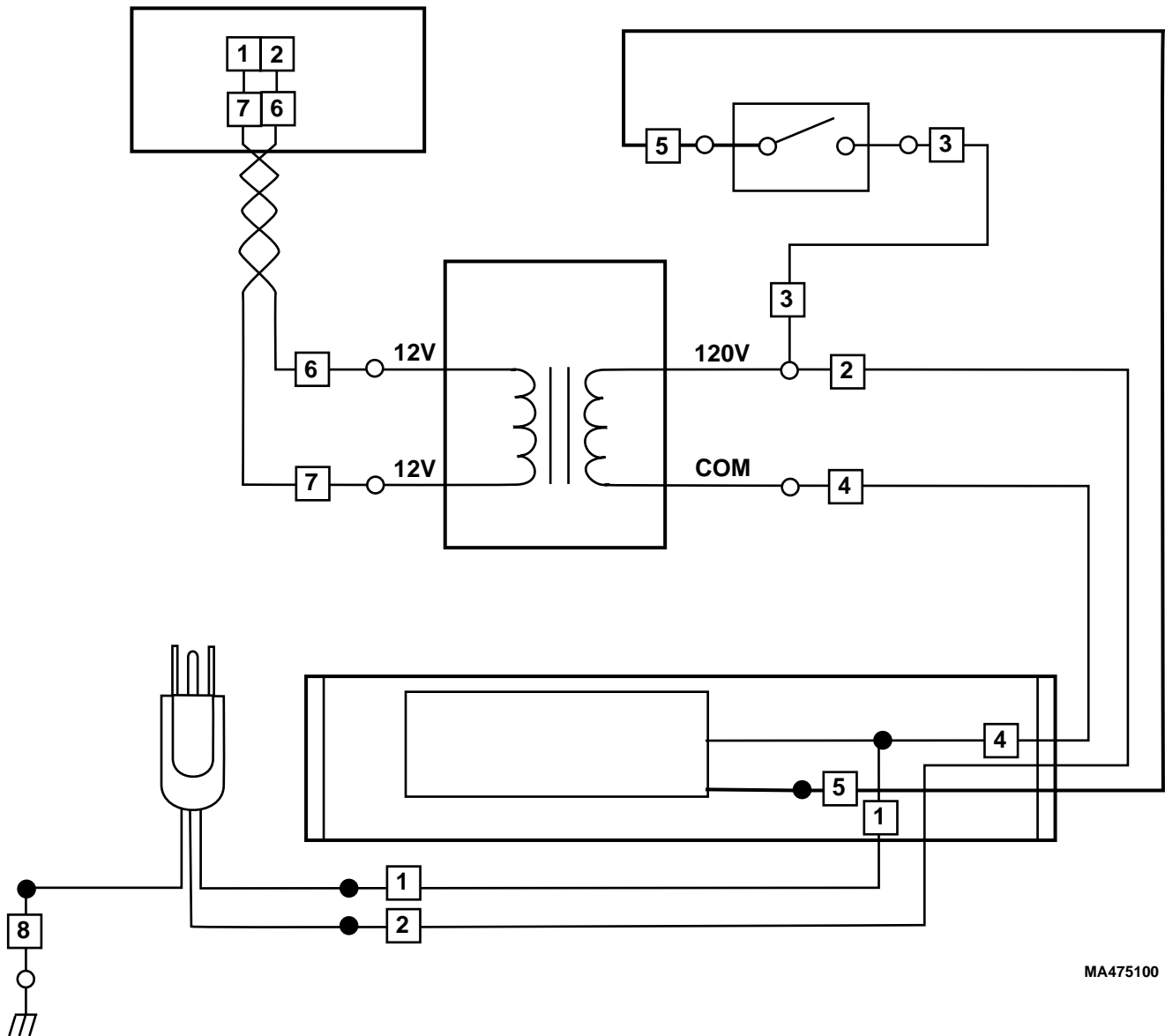
**"18.0 (45.7cm) Dental
Cabinet Components"**

**Figure 2-10. 18.0 in. (45.7 cm) Dental Cabinet
(w/Door)**

SECTION III SCHEMATICS AND DIAGRAMS

3.1 Electrical Schematics / Wiring Diagrams

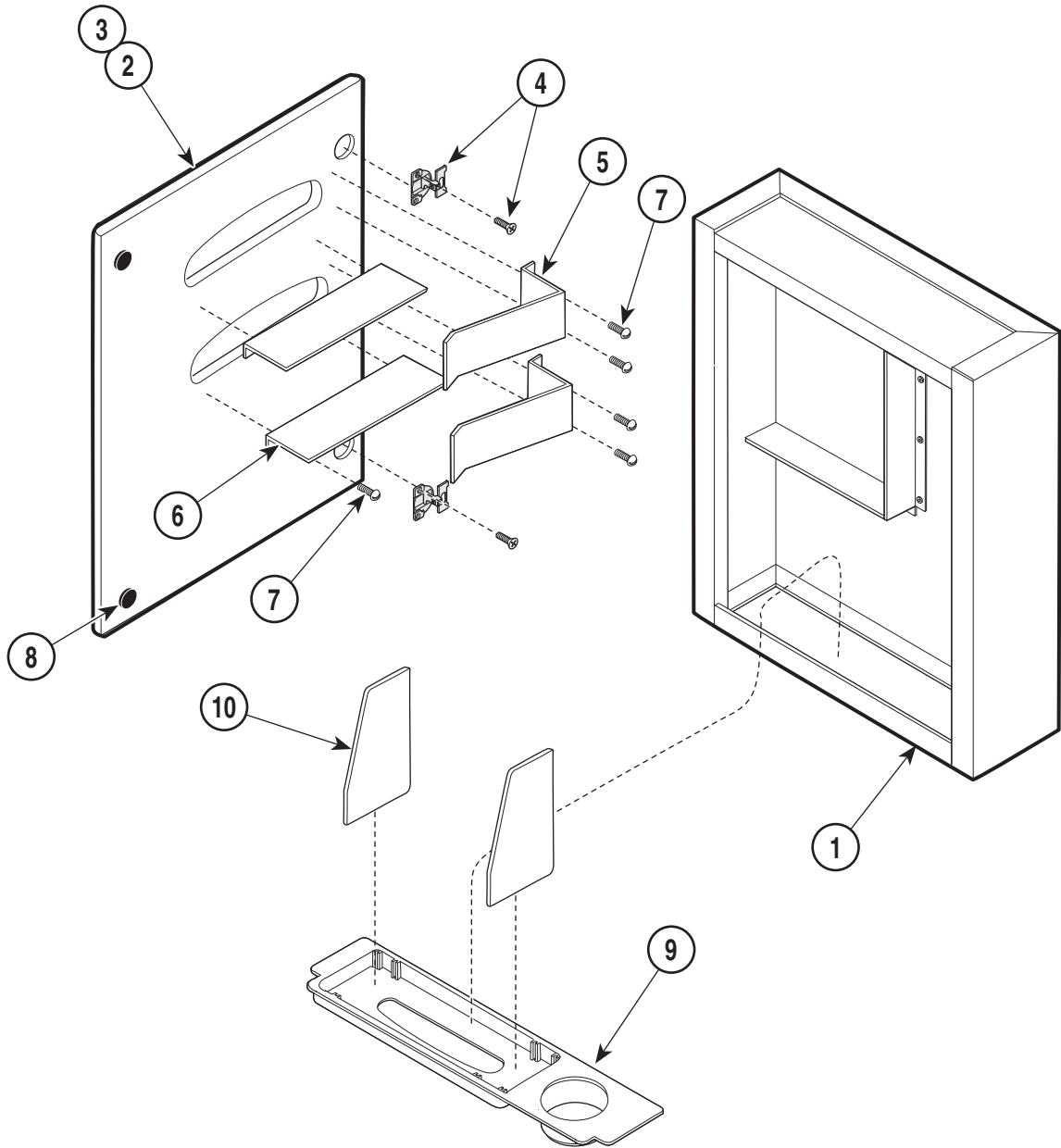
Figure 3-1 illustrates the logic / current flow and wiring connections between the electrical components for the Task Light w/ X-Ray Viewer & Clock.



MA475100

**Figure 3-1. Task Light w/ X-ray Viewer & Clock
Electrical Schematic / Wiring Diagram**

GLOVE / TOWEL / CUP DISPENSER

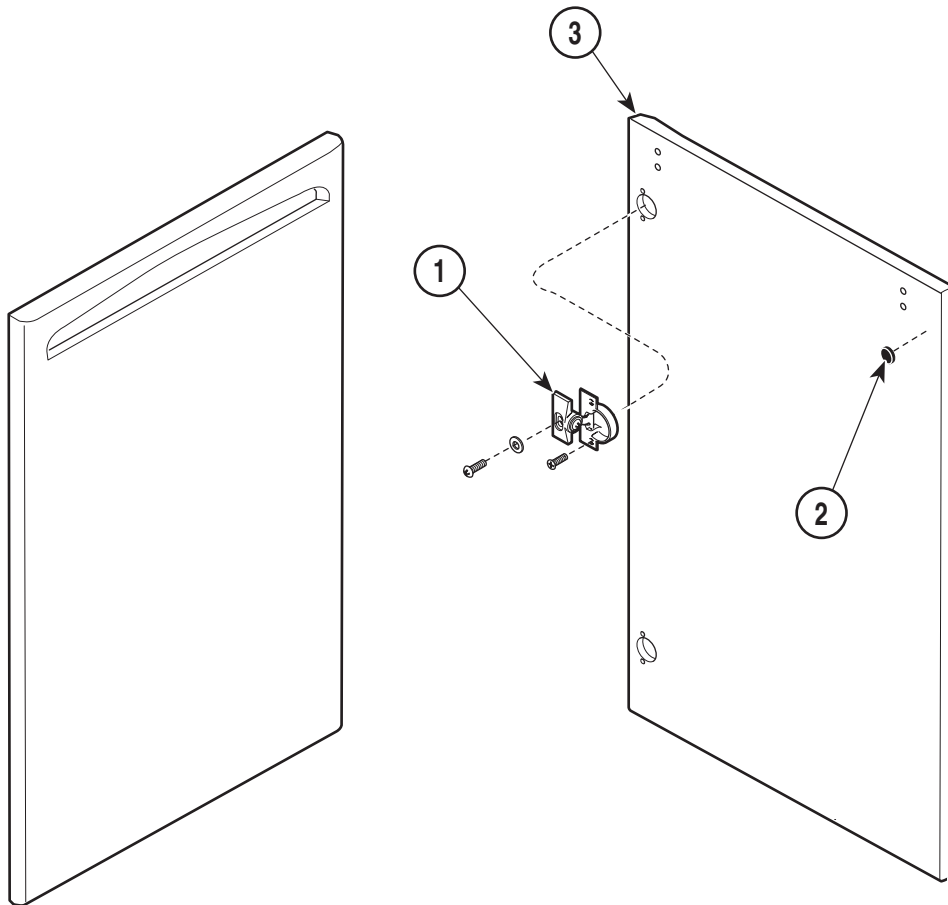


MA507800

Item	Part No.	Description	Qty	Item	Part No.	Description	Qty
	DK-ADS001	Glove / Towel / Cup Dispenser		5	• Ž050-4107-50	• ŽGlove Box Retainer Bracket.....	2
		(Includes Items 1 thru 10).....	1	6	• Ž050-4106-50	• ŽGlove Box Support Bracket.....	2
1	• 30100-01087	• Shell Assembly	1	7	• Ž040-0006-04	• ŽScrew	10
2	• 029-2199-00	• Door Assembly (Includes Items 3 thru 8).....	1	8	• Ž053-0716-00	• ŽBumper	2
3	• Ž063-9856-00	ŽŽDoor Panel	1	9	• 053-0955-00	• Towel / Cup Dispenser.....	1
4	• Ž016-0510-00	• ŽHinge (Includes hardware)	2	10	• 050-4108-50	• Towel Partition Plate.....	2

Always Specify Model & Serial Number

SOLID DOOR ASSEMBLIES



MA507700

Table 4-1 Door Assembly / Panel Identification

Door Assy. (-xx)	Panel Width	Panel Height	Door Panel (Item #3)	Hinge Location
-00	17.69 in. (44.9 cm)	11.33 in. (28.7 cm)	063-9850-02	As Shown
-01	17.69 in. (44.9 cm)	11.33 in. (28.7 cm)	063-9850-02	Opposite Shown
-02	17.69 in. (44.9 cm)	14.19 in. (36.0 cm)	063-9850-03	As Shown
-03	17.69 in. (44.9 cm)	14.19 in. (36.0 cm)	063-9850-03	Opposite Shown
-04	9.44 in. (23.9 cm)	22.78 in. (57.8 cm)	063-9850-04	As Shown
-05	9.44 in. (23.9 cm)	22.78 in. (57.8 cm)	063-9850-04	Opposite Shown
-06	11.81 in. (30.0 cm)	22.78 in. (57.8 cm)	063-9850-05	As Shown
-07	11.81 in. (30.0 cm)	22.78 in. (57.8 cm)	063-9850-05	Opposite Shown
-08	17.69 in. (44.9 cm)	22.78 in. (57.8 cm)	063-9850-06	As Shown
-09	17.69 in. (44.9 cm)	22.78 in. (57.8 cm)	063-9850-06	Opposite Shown
-010	11.94 in. (30.3 cm)	22.78 in. (57.8 cm)	063-9850-07	As Shown
-011	11.94 in. (30.3 cm)	22.78 in. (57.8 cm)	063-9850-07	Opposite Shown

NOTE

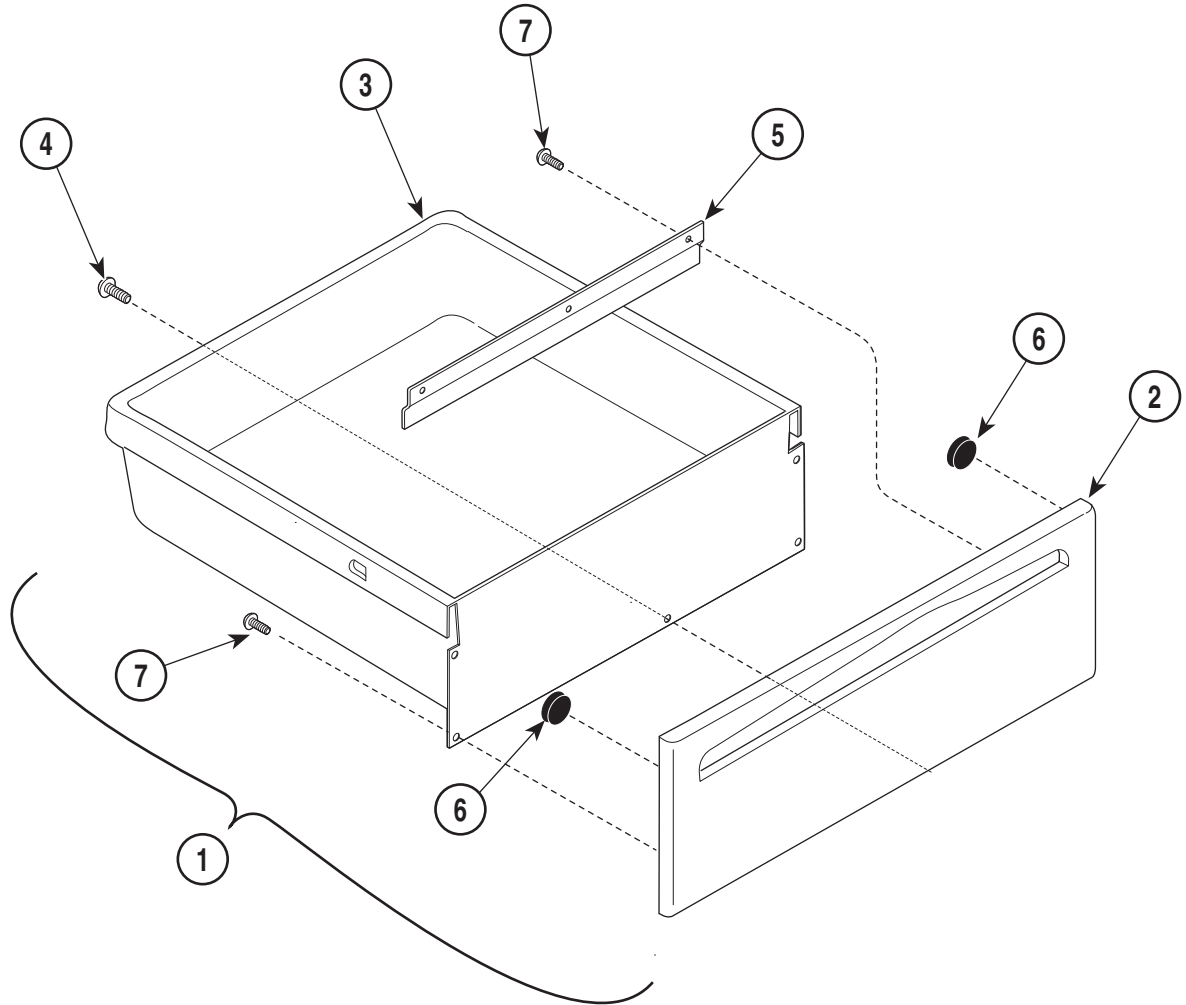
For overhead unit door assembly (w/ frosted window), refer to: [“Assistant’s Overhead Unit Components”](#), or [“12:00 Overhead Unit Components”](#).

To determine the last two digits of door assembly part number (029-2172-xx), and door panel part number, refer to Table 4-1.

Item	Part No.	Description	Qty.
	029-2172-xx	Door Assembly (Refer to Table 4-1) (Includes Items 1 thru 3).....	Ref
1	• 016-0510-00	• Hinge (Includes hardware).....	2
2	• 053-0716-00	• Bumper.....	2
3	•	• Door Panel (Refer to Table 3-1).....	Ref

Always Specify Model & Serial Number

DRAWER ASSEMBLIES



MA506700

Table 4-2 Drawer Assembly / Panel Identification

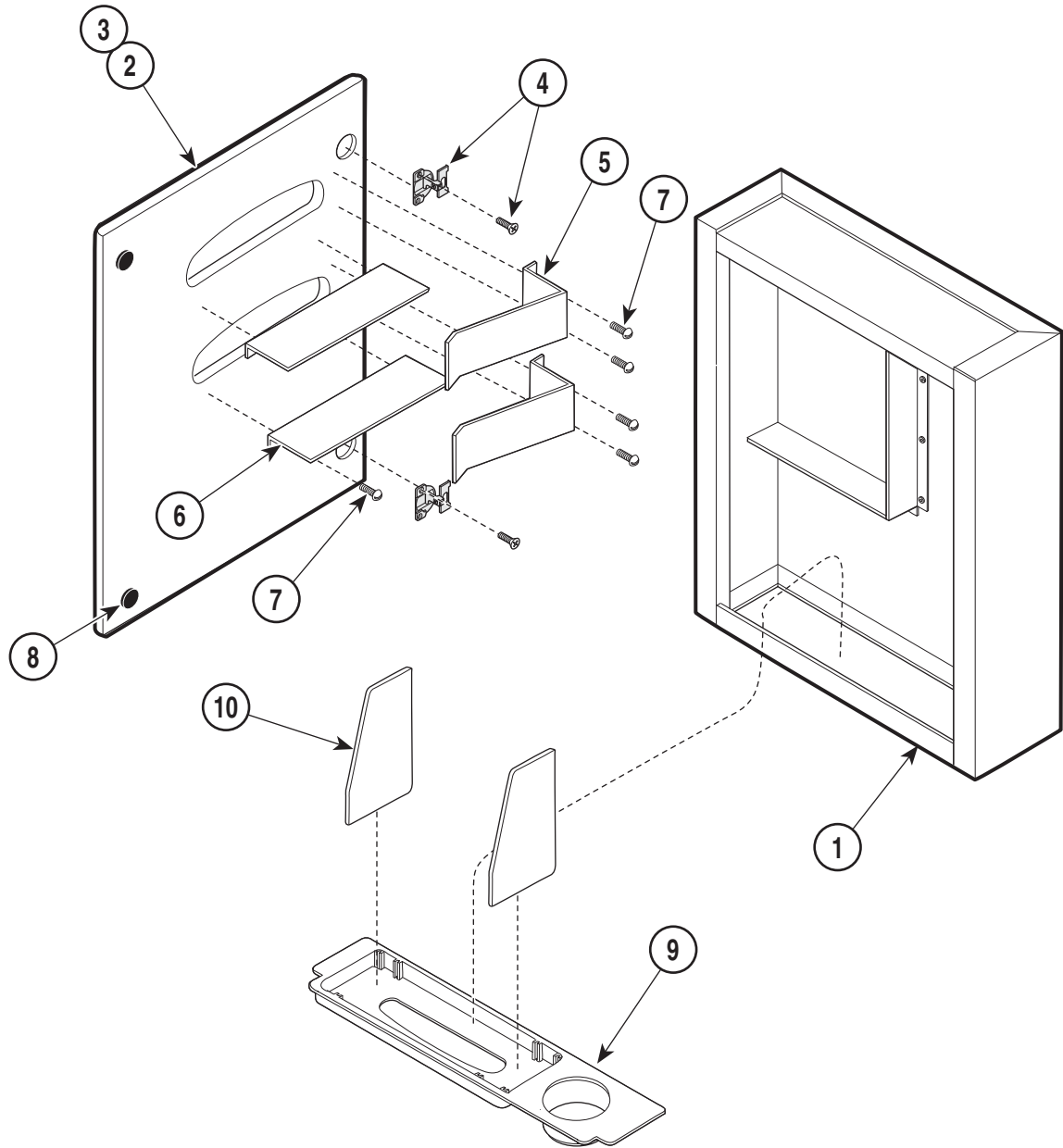
Panel Width	Panel Height	Drawer Assy. (Item #1)	Drawer Panel (Item #2)	Plastic Drawer (Item #3)	Screw (Item #4)	Bracket (Item #5)
17.69 in. (44.9 cm)	5.60 in. (14.2 cm)	029-2169-00	063-9850-01	053-0555-01	040-0010-48	None
17.69 in. (44.9 cm)	11.33 in. (28.7 cm)	029-2170-00	063-9851-00	053-0557-00	040-0008-77	050-3665-00

MA506700

Item	Part No.	Description	Qty.	Item	Part No.	Description	Qty.
1		Drawer Assembly (Refer to Table 4-2) (Includes Items 2 thru 7).....	1	4	•	• Screw (Refer to Table 4-2).....	1
2	•	• Drawer Panel (Refer to Table 4-2).....	1	5	•	• Bracket (Refer to Table 4-2).....	1
3	•	• Plastic Drawer (Refer to Table 4-2).....	1	6	• 053-0716-00	• Bumper.....	2
				7	• 040-0006-63	• Screw.....	4 / 7

Always Specify Model & Serial Number

GLOVE / TOWEL / CUP DISPENSER



MA507800

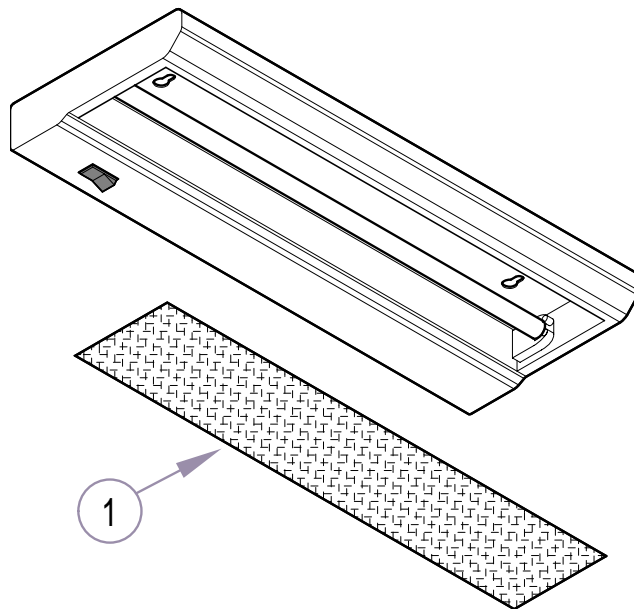
Item	Part No.	Description	Qty	Item	Part No.	Description	Qty
	DK-ADS001	Glove / Towel / Cup Dispenser		5	• 050-4107-50	• Glove Box Retainer Bracket	2
		(Includes Items 1 thru 10).....	1	6	• 050-4106-50	• Glove Box Support Bracket	2
1	• 30100-01087	• Shell Assembly	1	7	• 040-0006-04	• Screw	10
2	• 029-2199-00	• Door Assembly (Includes Items 3 thru 8).....	1	8	• 053-0716-00	• Bumper.....	2
3	• 063-9856-00	• Door Panel.....	1	9	• 053-0955-00	• Towel / Cup Dispenser.....	1
4	• 016-0510-00	• Hinge (Includes hardware).....	2	10	• 050-4108-50	• Towel Partition Plate.....	2

Always Specify Model & Serial Number

TASK LIGHT DIFFUSER PANELS

NOTE

For complete breakdown of task light, refer to appropriate section:
Section VI - 12:00 Casework Units



Task Light Diffuser Panels [Item #1]
(for all task light models - verify length)

Diffuser Panel Length	Diffuser Panel (item #1) Part Number
18 in. (45.7 cm)	015-1278-20
20.8 in. (52.8 cm)	053-1285-00
36 in. (91.4 cm)	015-1278-21
38 in. (96.5 cm)	053-1263-00
41 in. (104.1 cm)	053-0973-00

SECTION V DOCTOR'S / ASSISTANT'S SIDE CASEWORK

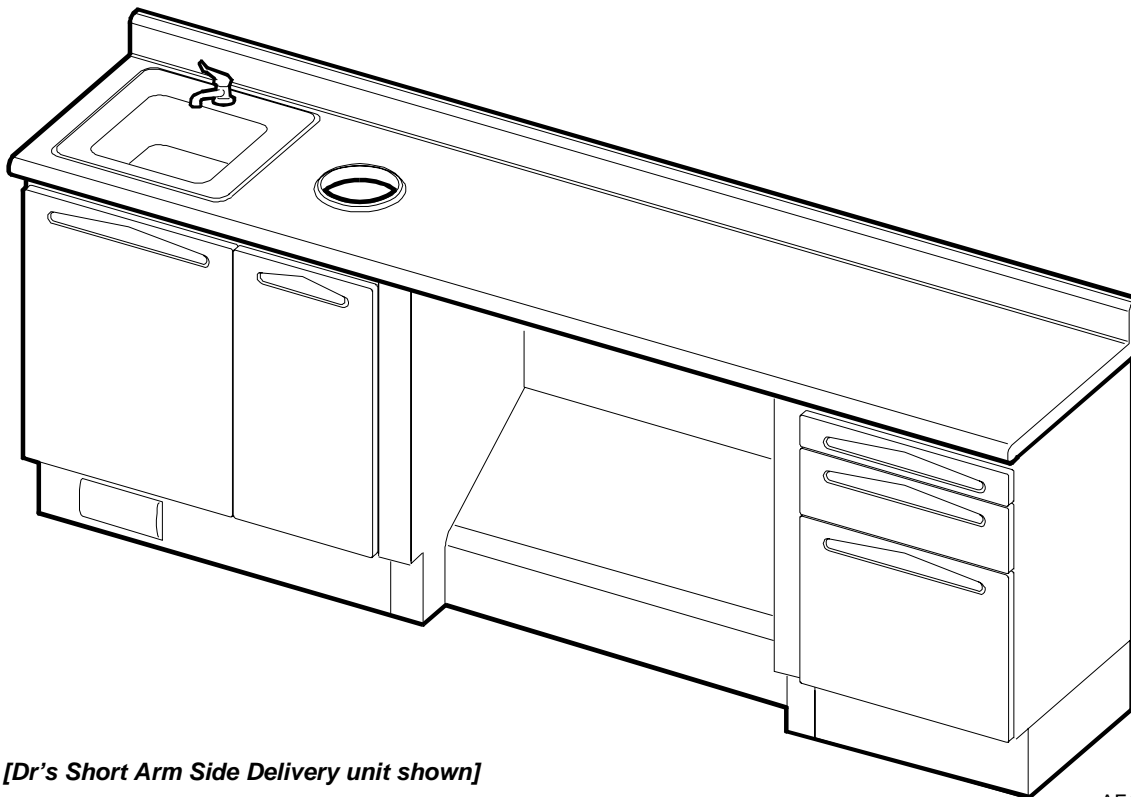
5.1 How To Use This Section

Locate the page for the desired section (ex. *Sink Section Components*). Find the part(s) in the illustration, then refer to the parts list to determine the part number and quantity required.

**This section contains exploded views of
Knight Doctor's / Assistant's Side Casework.**

NOTE

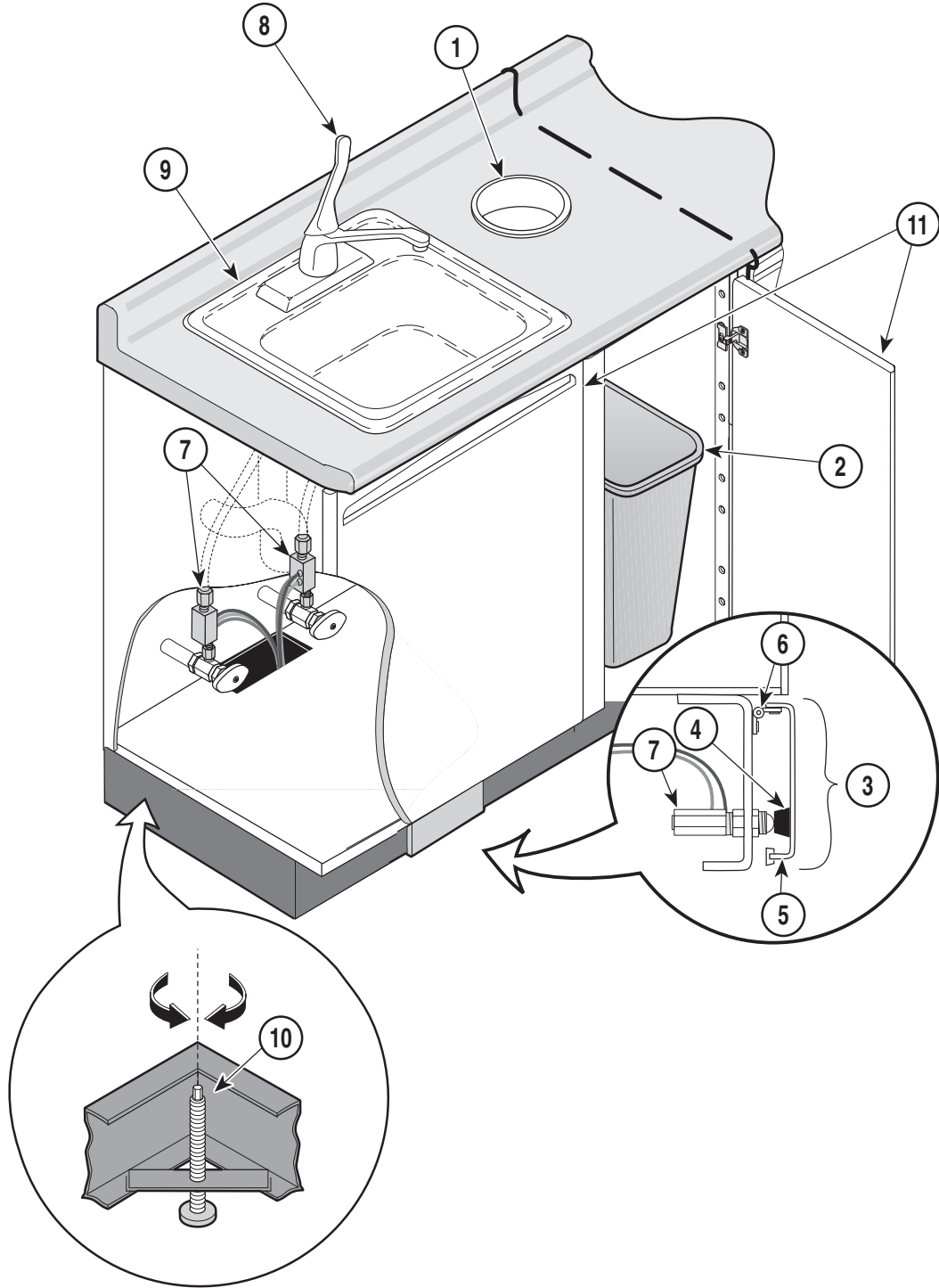
Doors & drawers common to various models of Knight casework are shown in Section IV [*Doors, Drawers, Misc.*].



[Dr's Short Arm Side Delivery unit shown]

AF1050

SINK SECTION COMPONENTS

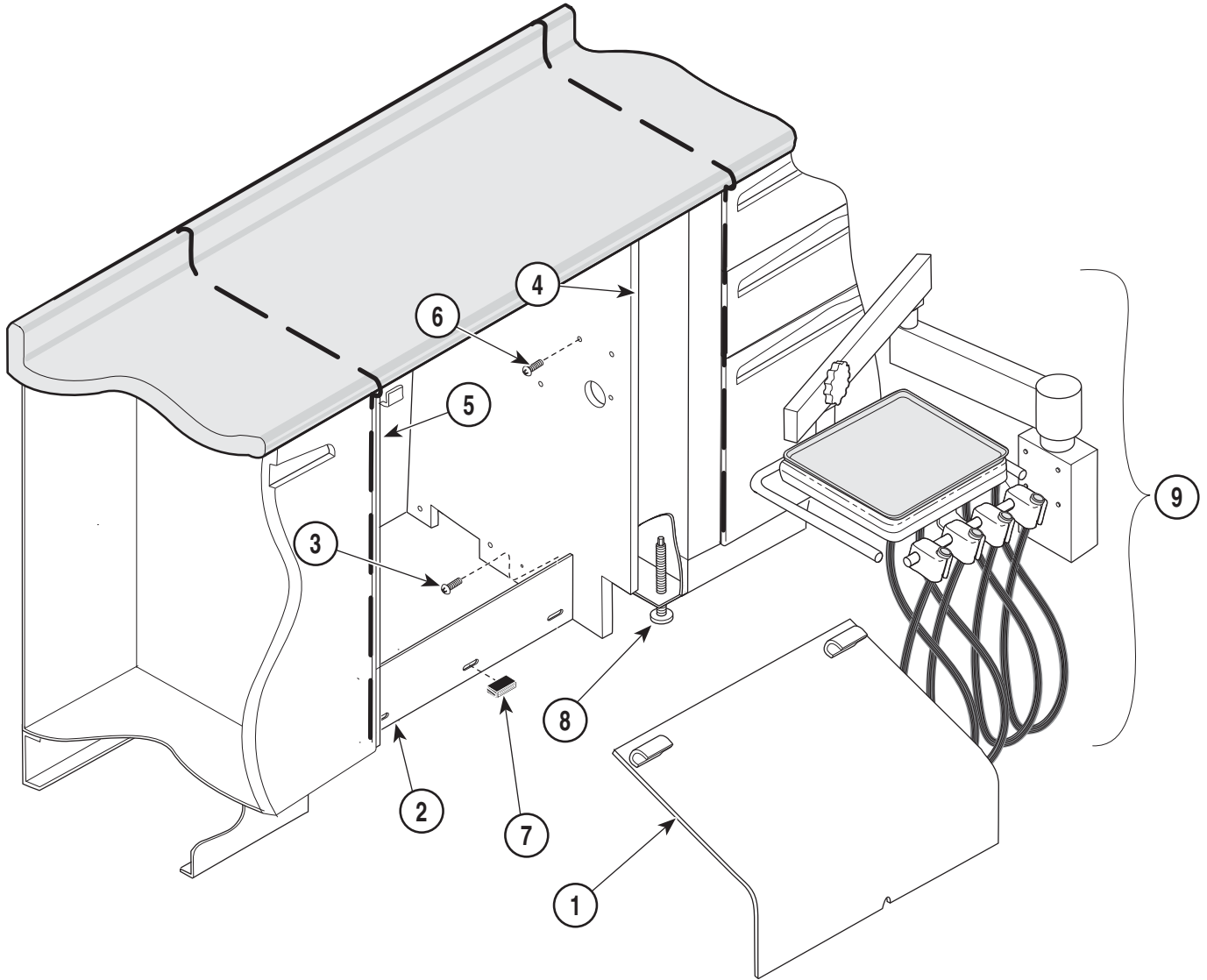


MA508800

Item	Part No.	Description	Qty	Item	Part No.	Description	Qty
1	053-0957-00	Waste Grommet.....	1	8	CFT-4ST4LV-1	Single Lever Faucet (shown).....	1
2	053-0058-00	Waste Can	1		016-0834-00	Pull-Out Sprayer Faucet (Chrome).....	1
3	029-2215-00	Foot Pedal Assembly (Includes Items 4 & 5)	1		016-0834-01	Pull-Out Sprayer Faucet (White).....	1
4	• 053-0014-00	• Bumper.....	1	9	CSK-S131005-1	Sink	1
5	• 050-4019-00	• Foot Pedal Plate.....	1	10	016-0557-00	Leveling Screw	4
6	016-0755-00	Pedal Valve Hinge1		11		Refer to: "Solid Door Assemblies" in Section IV.....	Ref
7	016-0767-00	Faucet Controller Valve.....	1				

Always Specify Model & Serial Number

SHORT ARM SIDE DELIVERY SECTION COMPONENTS

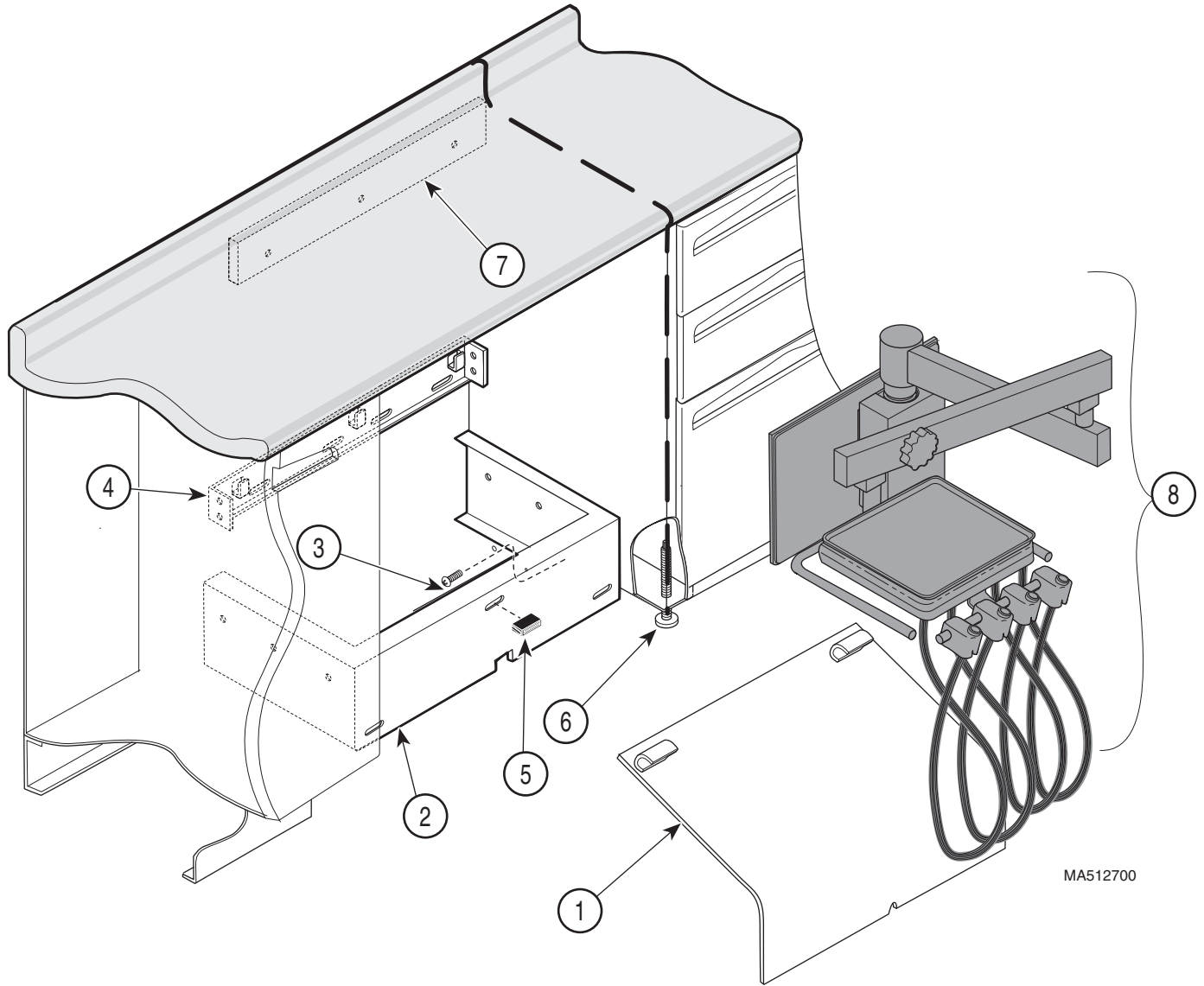


MA508900

Item	Part No.	Description	Qty	Item	Part No.	Description	Qty
1	030-1154-50	Plumbing Cover Weldment.....	1	7	016-0092-00	Magnet.....	3
2	050-4098-00	Plumbing Cover Bracket.....	1	8	016-0557-00	Leveling Screw.....	4
3	040-0010-48	Screw (#10 x 5/8).....	4	9		Delivery System / Arm Assembly (For parts information, refer to Delivery Systems Service and Parts Manual)	
4	063-9857-00	Side Panel w / Mounting Holes	1				
5	063-9857-01	Side Panel.....	1				
6	040-0010-13	Screw (#10-24 x 1.25).....	10				

Always Specify Model & Serial Number

LONG ARM SIDE DELIVERY SECTION COMPONENTS



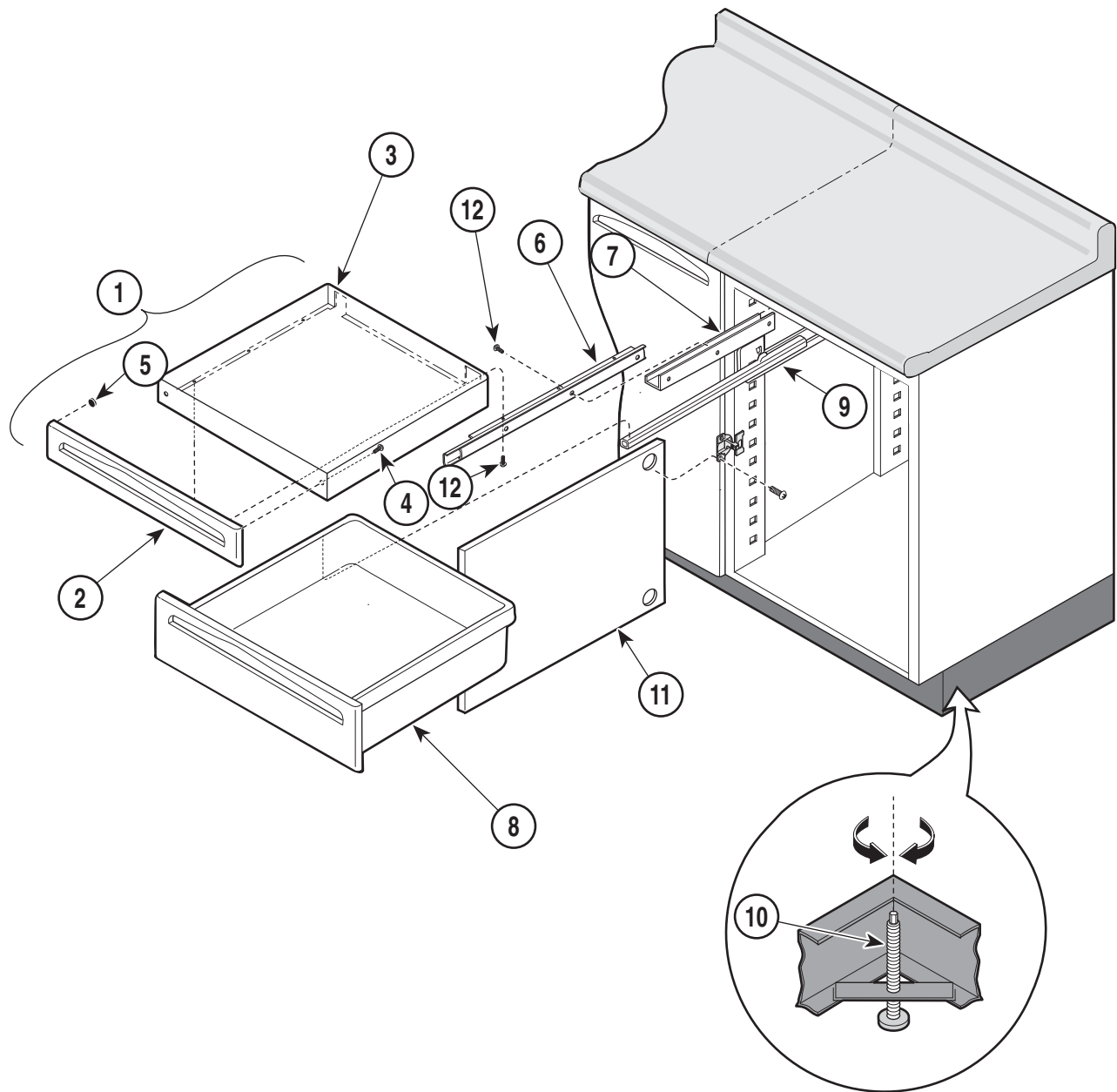
MA512700

MA512700

Item	Part No.	Description	Qty	Item	Part No.	Description	Qty
1	030-1296-50	Long Arm Plumbing Cover Weldment....	1	7	062-5800-01	Countertop Support.....	1
2	050-4191-50	Long Arm Plumbing Cover Bracket.....	1	8		Delivery System / Arm Assembly (For parts information, refer to Delivery Systems Service and Parts Manual)	
3	040-0010-48	Screw (#8 x 5/8).....	6				
4	050-4190-50	Plumbing Cover Hanger.....	1				
5	016-0092-00	Magnet.....	4				
6	016-0557-00	Leveling Screw.....	4				

Always Specify Model & Serial Number

DOCTOR'S STORAGE SECTION COMPONENTS

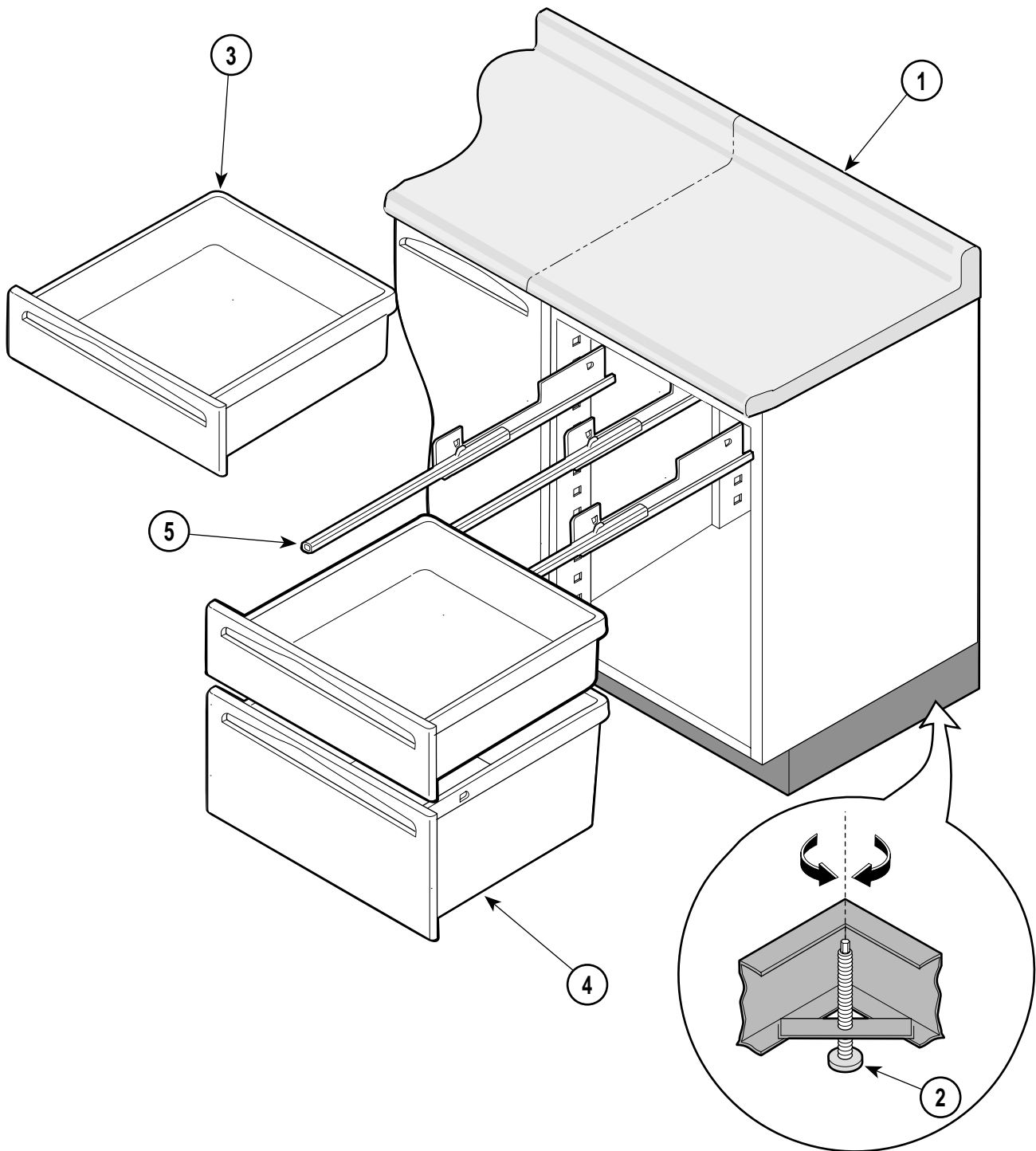


MA509000

Item	Part No.	Description	Qty	Item	Part No.	Description	Qty
1	029-2171-0x	Pull Out Writing Shelf Assembly (Includes Items 2 thru 5)	1	8		Drawer Assembly (Refer to "Drawer Assembly" elsewhere)	Ref
2	• 063-9850-00	• Drawer Panel	1	9	016-0513-00	LH Drawer Slide (shown)	1
3	• 050-4061-0x	• Writing Shelf	1		016-0513-01	RH Drawer Slide (not shown)	1
4	• 040-0006-63	• Screw (#6 x .625)	5	10	016-0557-00	Leveling Screw	4
5	• 053-0716-00	• Bumper	2	11		Door Assembly (Refer to "Door Assembly" elsewhere)	Ref
6	016-0719-00	RH Writing Surface Slide (not shown) ...	1				
	016-0719-01	LH Writing Surface Slide (shown)	1				
7	050-3757-50	RH Slide Mounting Bracket	1				
	050-3758-50	LH Slide Mounting Bracket (Shown)	1				

Always Specify Model & Serial Number

ASSISTANT'S STORAGE SECTION COMPONENTS

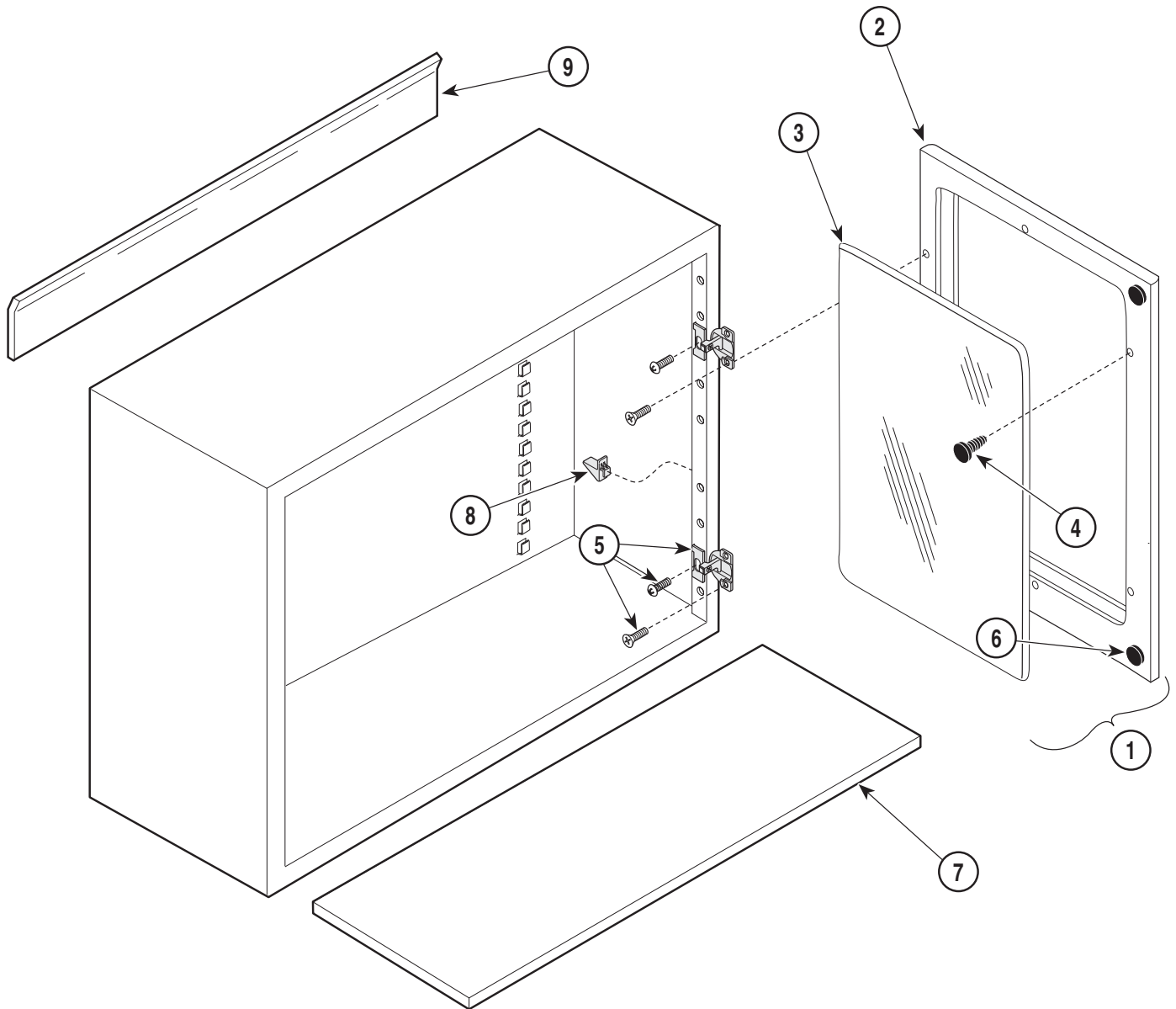


MA507900

Item	Part No.	Description	Qty	Item	Part No.	Description	Qty
1		Countertop (Refer to "Laminate Top" or "Solid Surface Top" Ref. Table).....	Ref	4		Drawer Assembly (Refer to "Drawer Assembly" elsewhere)	Ref
2	016-0557-00	Leveling Screw.....	4	5	016-0513-00	LH Drawer Slide (shown).....	3
3		Drawer Assembly (Refer to "Drawer Assembly" elsewhere)	Ref		016-0513-01	RH Drawer Slide (not shown)	3

Always Specify Model & Serial Number

ASSISTANT'S OVERHEAD UNIT COMPONENTS



MA508000

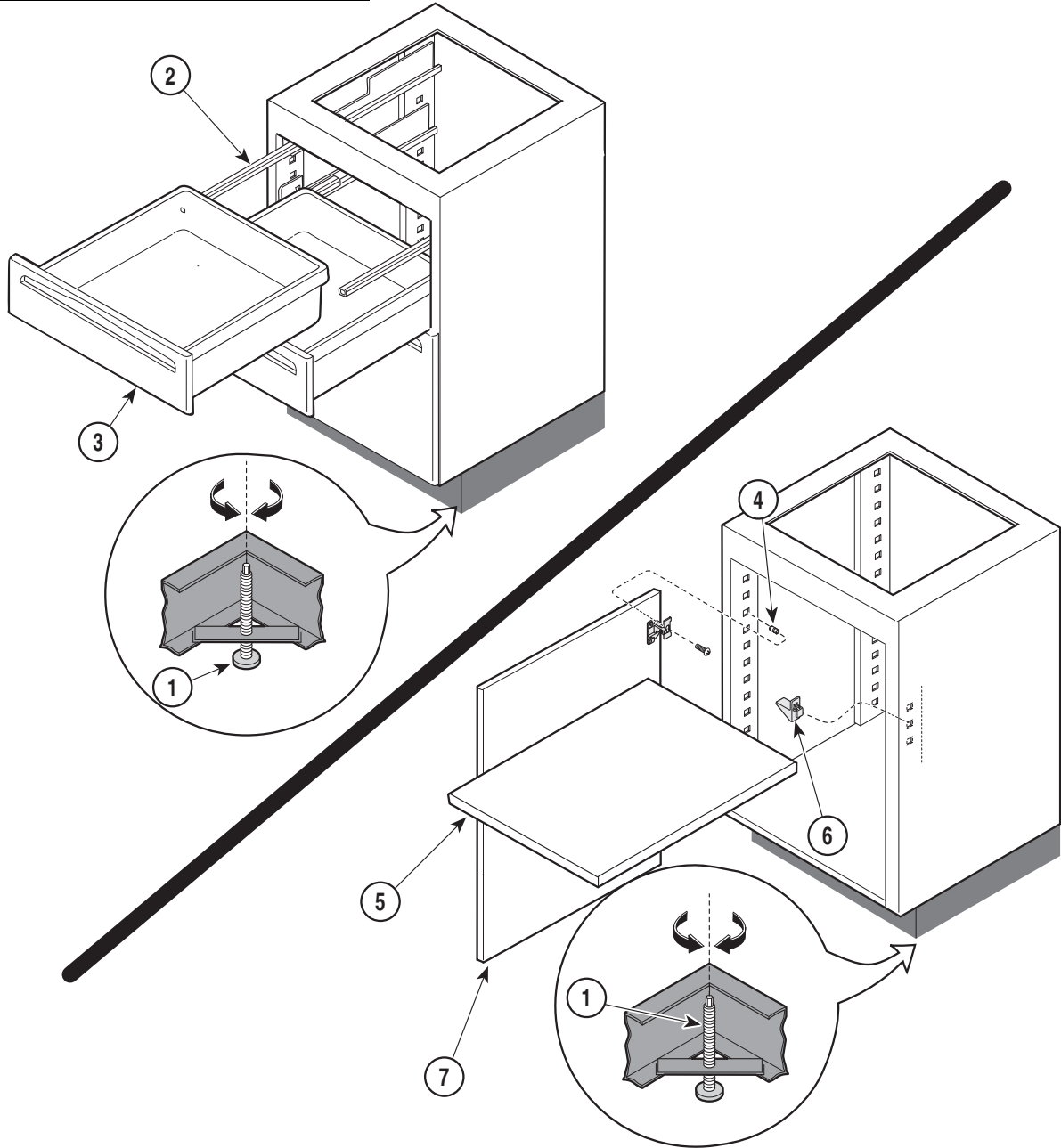
Item	Part No.	Description	Qty	Item	Part No.	Description	Qty
	DK-AOH002	Assistant's Side Overhead Unit (Includes Items 1 thru 9).....	1	3	•• 053-0948-00	•• Frosted Plastic Window.....	1
1	• 029-2173-00	• RH Door Assembly w/ window (Includes Items 2 thru 6).....	1	4	•• 016-0648-00	•• Window Retainer.....	8
	• 029-2173-01	• LH Door Assembly w/ window (Includes Items 2 thru 6).....	1	5	•• 016-0510-00	•• Door Hinge (Includes hardware).....	2
2	•• 063-9852-00	•• Door Panel w/window cutout.....	1	6	•• 053-0716-00	•• Bumper.....	2
				7	• 050-2843-50	• Shelf.....	1
				8	• 029-1761-00	• Shelf Clip (Qty. 4).....	1
				9	• 050-2915-10	• Cabinet Hanger.....	1

Always Specify Model & Serial Number

18.0 in. (45.7 cm) DENTAL CABINET COMPONENTS

NOTE

The DK-ABC002 (3 drawer) model is shown. The part numbers listed below are the same for the DK-ABC001 (4 drawer) model.



MA545100

Item	Part No.	Description	Qty	Item	Part No.	Description	Qty
1	016-0557-00	Leveler.....	4	Items 4 thru 7 apply only to units w/Door Assembly			
Items 2 thru 3 apply only to units w/Drawer Assemblies				4	042-0045-11	Nutsert.....	2
2	016-0513-00	Drawer Slide (LH).....	1 per Drawer	5	050-3001-50	Shelf.....	1
	016-0513-01	Drawer Slide (RH).....	1 per Drawer	6	029-1761-00	Shelf Clips (Qty 4).....	1
3		Drawer Assembly (Refer to "Drawer Assembly" elsewhere).....	Ref	7		Door Assembly (Refer to "Door Assembly" elsewhere).....	Ref

Always Specify Model & Serial Number

LAMINATE TOPS

NOTE

Be sure to verify model number and specify desired color when ordering countertop. If necessary, refer to Section II.

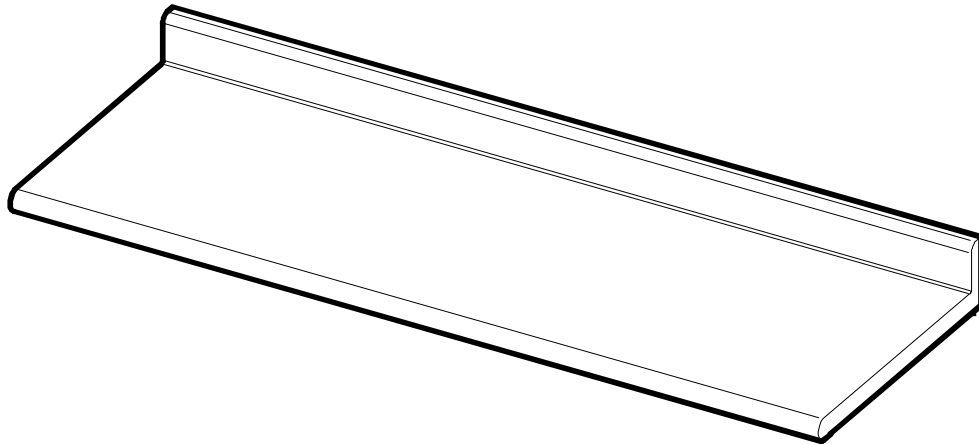


Table 5-1 Countertop Part Number Identification

Model Number	Assembly Number(s)
DK-ASL001	029-2219-01
DK-ASL002	029-2219-01
DK-ASL003	029-2221-00
DK-ASL004	029-2221-00
DK-ASR001	029-2220-01
DK-ASR002	029-2220-01
DK-ASR003	029-2221-01
DK-ASR004	029-2221-01
DK-DRL001	029-2219-01
DK-DRL002	029-2221-00
DK-DRR001	029-2220-01
DK-DRR002	029-2221-01
DK-SDL001	029-2219-04
DK-SDL002	029-2219-02
DK-SDL003	029-2222-00
DK-SDL010	029-2219-05
DK-SDL011	029-2219-03
DK-SDL012	029-2222-01
DK-SDR001	029-2220-04
DK-SDR002	029-2220-02
DK-SDR003	029-2222-00
DK-SDR010	029-2220-05
DK-SDR011	029-2220-03
DK-SDR012	029-2222-01
DK-SKL001	029-2219-00
DK-SKR001	029-2220-00

SOLID SURFACE TOPS

NOTE

Be sure to verify model number and specify desired color when ordering countertop. If necessary, refer to Section II.

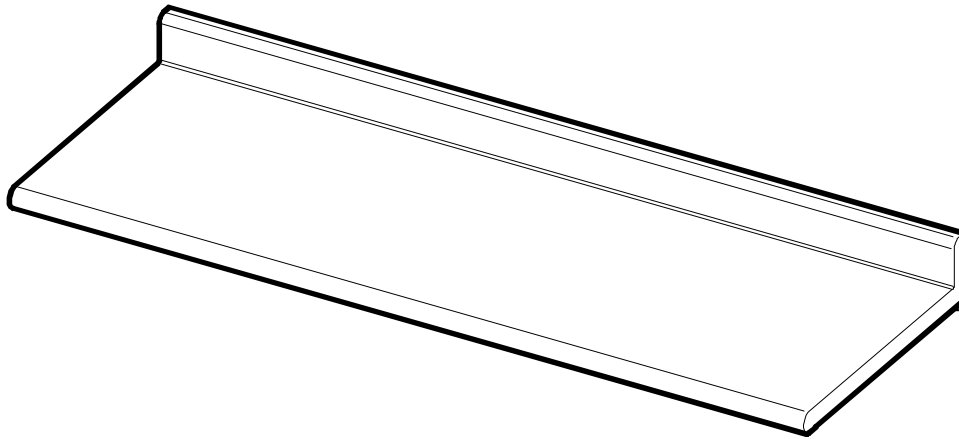


Table 5-2 Countertop Part Number Identification

Model Number	Solid Color Top Assembly Number(s)	Patterned Top Assembly Number(s)
DK-ASL001SS	029-2431-01	029-2431-07
DK-ASL002SS	029-2431-01	029-2431-07
DK-ASL003SS	029-2433-00	029-2433-02
DK-ASL004SS	029-2433-00	029-2433-02
DK-ASR001SS	029-2432-01	029-2432-07
DK-ASR002SS	029-2432-01	029-2432-07
DK-ASR003SS	029-2433-01	029-2433-03
DK-ASR004SS	029-2433-01	029-2433-03
DK-DRL001SS	029-2431-01	029-2431-07
DK-DRL002SS	029-2433-00	029-2433-02
DK-DRR001SS	029-2432-01	029-2432-07
DK-DRR002SS	029-2433-01	029-2433-03
DK-SDL001SS	029-2431-04	029-2431-10
DK-SDL002SS	029-2431-02	029-2431-08
DK-SDL003SS	029-2434-00	029-2434-02
DK-SDL010SS	029-2431-05	029-2431-11
DK-SDL011SS	029-2431-03	029-2431-09
DK-SDL012SS	029-2434-01	029-2434-03
DK-SDR001SS	029-2432-04	029-2432-10
DK-SDR002SS	029-2432-02	029-2432-08
DK-SDR003SS	029-2434-00	029-2434-02
DK-SDR010SS	029-2432-05	029-2432-11
DK-SDR011SS	029-2432-03	029-2432-09
DK-SDR012SS	029-2434-01	029-2434-03
DK-SKL001SS	029-2431-00	029-2431-06
DK-SKR001SS	029-2432-00	029-2432-06

SECTION VI

12:00 CASEWORK UNITS

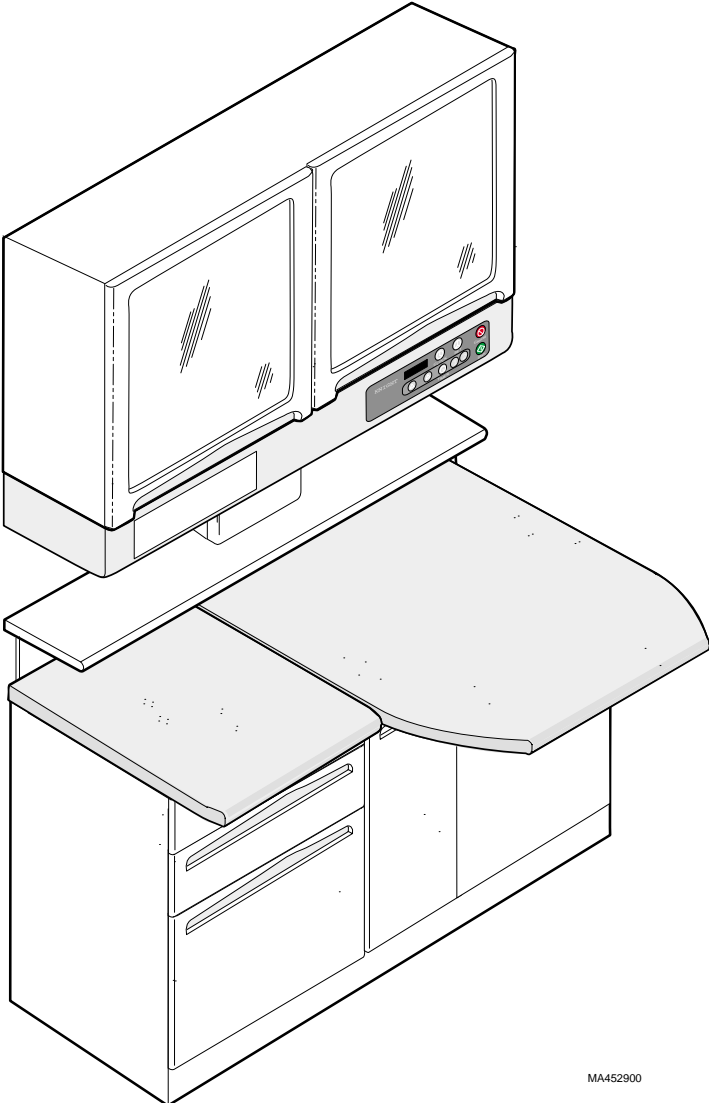
6.1 How To Use This Section

Locate the appropriate page for the desired section (ex. *12:00 Overhead Unit*). Find the part(s) in the illustration, then refer to the parts list to determine the part number.

This section contains exploded views of Knight 12:00 Casework.

NOTE

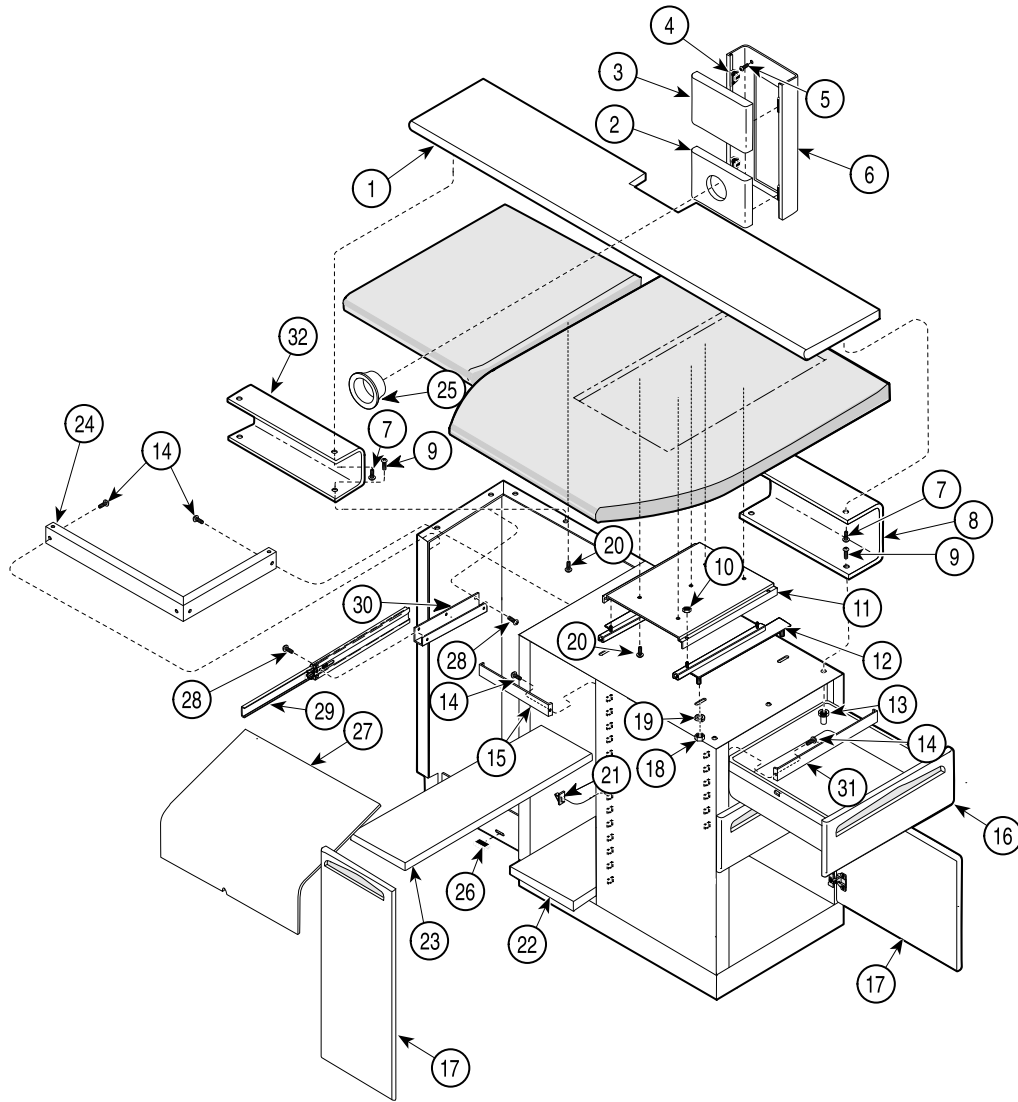
Doors & drawers common to various models of Knight casework are shown in Section IV [*Doors, Drawers, Misc.*].



MA452900

[12:00 Treatment Casework shown]

12:00 DELIVERY SECTION COMPONENTS

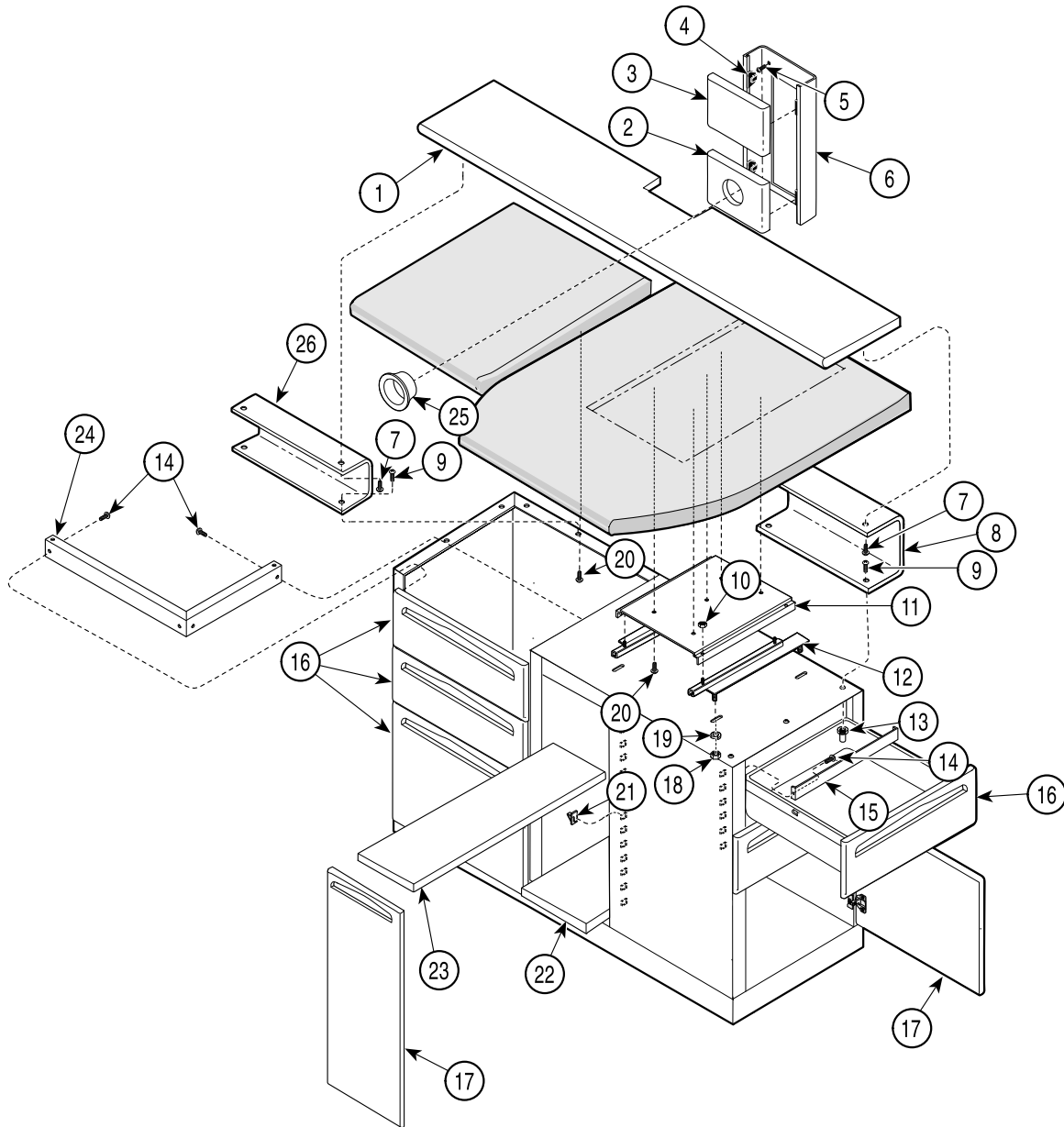


MA509101i

Item	Part No.	Description	Qty	Item	Part No.	Description	Qty
1	063-9929-00	Utility Shelf	1	18	041-0010-02	Hex Nut.....	4
2	029-2217-00	Access Panel (Bottom).....	1	19	045-0001-00	Washer	4
3	029-2216-00	Access Panel (Top)	1	20	040-0010-48	Screw	5
4	053-0958-00	Frame Fastener	4	21	029-1761-00	Shelf Clips (Qty. 4).....	1
5	040-0008-61	Screw	8	22	050-4043-50	Center Bottom	1
6	050-4150-50	Electrical Channel [8 in. (20.3 cm)]	1	23	050-4044-50	Center Shelf.....	1
	050-4078-50	Electrical Channel [21 in. (53.3 cm)]	1	24	050-4052-00	Delivery Mullion	1
7	040-0008-63	Wood Screw	8	25	053-0962-00	Wire Grommet	1
8	050-4085-50	Shelf Bracket.....	1	26	016-0092-00	Magnet.....	3
9	040-0010-56	Screw	6	27	(N.L.A.)	Plumbing Cover	1
10	041-0034-00	Hex Nut	4	28	040-0008-45	Screw	
11	050-4157-50	Pull-Out Shelf	1	29	016-0765-01	LH Delivery Slide (shown)	1
12	029-2226-00	RH Slide Assembly	1		016-0765-00	RH Delivery Slide (not shown).....	1
	029-2226-01	LH Slide Assembly	1	30	050-4132-50	LH Delivery Slide Bracket (shown)	1
13	042-0045-11	Nutsert	3		050-4131-50	RH Delivery Slide Bracket (not shown)..	1
14	040-0010-18	Screw	6	31	050-4038-50	Side Mullion	1
15	050-4047-50	Center Mullion	1	32	050-4130-50	Shelf Bracket	1
16		Drawer Assembly (Refer to "Drawer Assembly" elsewhere).....	Ref	33		Delivery System (not shown) (For parts information, refer to Delivery Systems Service and Parts Manual).	
17		Door Assembly (Refer to "Door Assembly" elsewhere).....	Ref				

N.L.A. Denotes "No Longer Available"
Always Specify Model & Serial Number

12:00 TREATMENT CASEWORK COMPONENTS

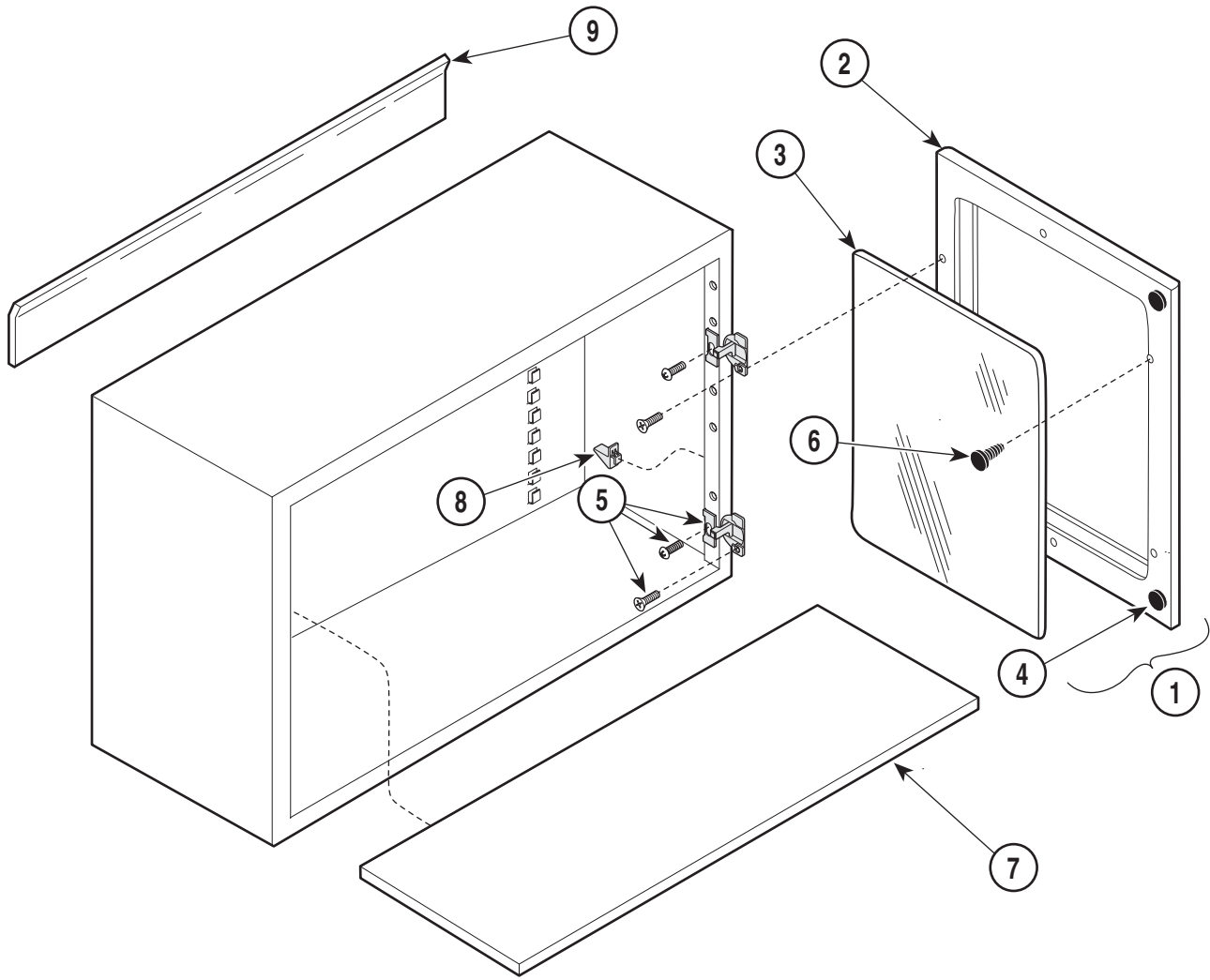


MA509200

Item	Part No.	Description	Qty	Item	Part No.	Description	Qty
1	063-9929-00	Utility Shelf	1	14	040-0010-18	Screw	6
2	029-2217-00	Access Panel (Bottom)	1	15	050-4047-50	Center Mullion	1
3	029-2216-00	Access Panel (Top).....	1	16		Drawer Assembly (Refer to "Drawer Assembly" elsewhere).....	Ref
4	053-0958-00	Frame Fastener	4	17		Door Assembly (Refer to "Door Assembly" elsewhere	Ref
5	040-0008-61	Screw	8	18	041-0010-02	Hex Nut	4
6	050-4150-50	Electrical Channel [8 in. (20.3 cm)]	1	19	045-0001-00	Washer	4
	050-4078-50	Electrical Channel [21 in. (53.3 cm)]	1	20	040-0010-48	Screw	5
7	040-0008-63	Wood Screw	8	21	029-1761-00	Shelf Clips (Qty. 4)	1
8	050-4085-50	Shelf Bracket	1	22	050-4043-50	Center Bottom	1
9	040-0010-56	Screw.....	6	23	050-4044-50	Center Shelf	1
10	041-0034-00	Hex Nut.....	4	24	050-4037-50	Treatment Mullion.....	1
11	050-4157-50	Pull-Out Shelf	1	25	053-0962-00	Wire Grommet.....	1
12	029-2226-00	RH Slide Assembly	1	26	050-4130-50	Shelf Bracket.....	1
	029-2226-01	LH Slide Assembly	1				
13	042-0045-11	Nutsert.....	3				

N.L.A. Denotes "No Longer Available"
Always Specify Model & Serial Number

12:00 OVERHEAD UNIT COMPONENTS

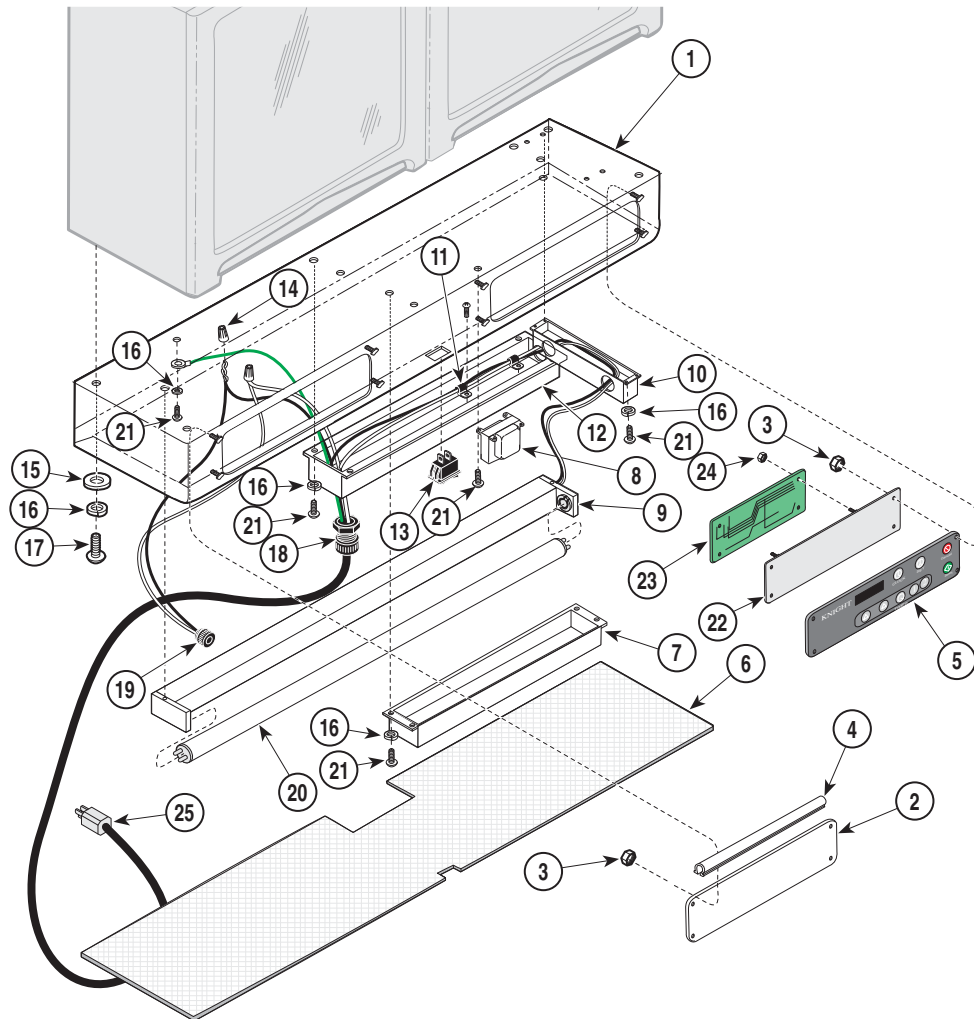


MA508100

Item	Part No.	Description	Qty	Item	Part No.	Description	Qty
	DK-AOH001	12:00 Overhead Unit (Includes Items 1 thru 9)		3	•• 053-0948-00	•• Frosted Plastic Window	1
1	• 029-2173-02	• RH Door Assembly w/ Window (Includes Items 2 thru 6)	1	4	•• 053-0716-00	•• Bumper.....	2
	• 029-2173-03	• LH Door Assembly w/ Window (Includes Items 2 thru 6)	1	5	•• 016-0510-00	•• Door Hinge (Includes hardware)	2
2	•• 063-9852-01	•• Door w/ window cutout.....	1	6	•• 016-0648-00	•• Window Retainer	10
				7	• 050-2847-50	• Shelf.....	1
				8	• 029-1761-00	• Shelf Clips (Qty. 4).....	1
				9	• 050-2917-00	• Cabinet Hanger.....	1

Always Specify Model & Serial Number

TASK LIGHT W/ X-RAY VIEWER & CLOCK



Task Light Diffuser Panels (for all task light models - verify length)

Diffuser Panel Length	Diffuser Panel Part Number
18 in. (45.7 cm)	015-1278-20
20.8 in. (52.8 cm)	053-1285-00
36 in. (91.4 cm)	015-1278-21
38 in. (96.5 cm)	053-1263-00
41 in. (104.1 cm)	053-0973-00

MA508200

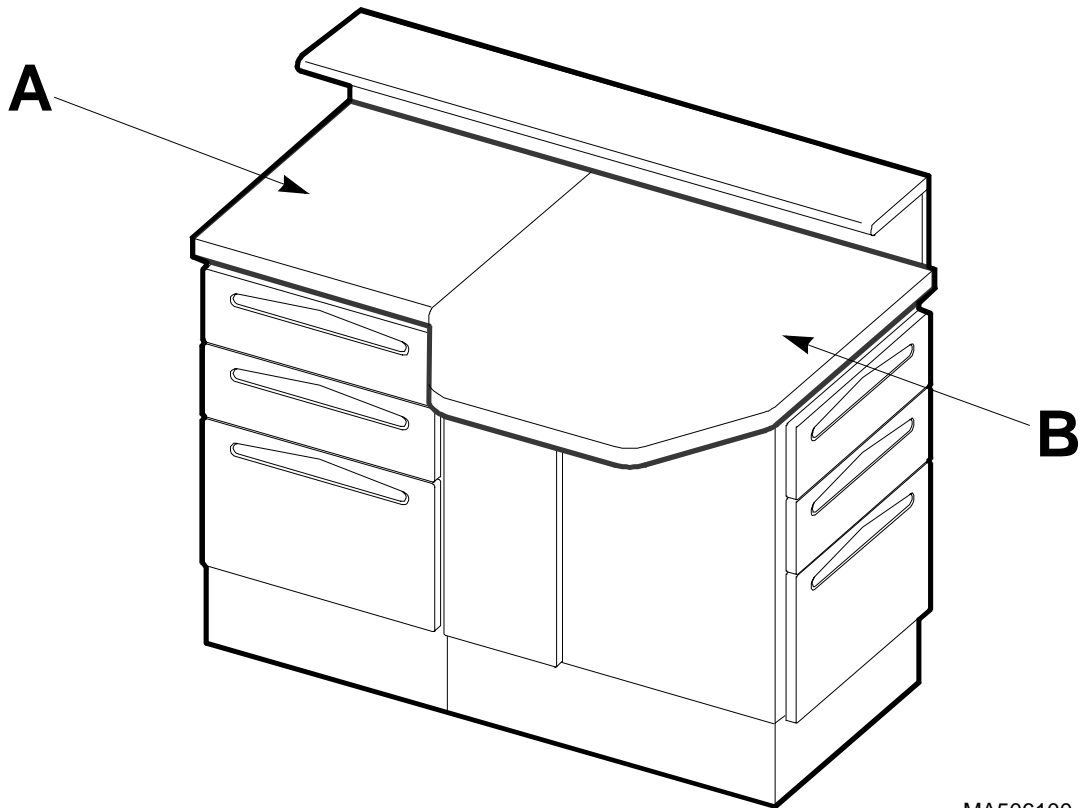
Item	Part No.	Description	Qty	Item	Part No.	Description	Qty
	DK-ATR001	Task Light w/ X-ray Viewer & Clock		13	• 015-0543-00	• Rocker Switch	1
	DK-ATL001	(Includes Items 1 thru 25)		14	• 015-1113-01	• Wire Nut	5
1	• 030-1152-50	• Housing Weldment.....	1	15	• 045-0001-00	• Flat Washer	4
2	• 053-0972-00	• Viewer Panel.....	1	16	• 045-0001-08	• Lockwasher	14
3	• 041-0008-02	• Hex Nut.....	14	17	• 040-0010-12	• Screw (#10 24 x 5/8)	4
4	• 053-0971-00	• Viewer Clip.....	1	18	• 015-0777-02	• Straight Fitting	1
5	• 015-1261-00	• Membrane Switch	1	19	• 053-0068-11	• Snap Bushing	2
6	• 053-0973-00	• Diffuser Panel	1	20	• 015-1280-00	• Florescent Lamp.....	1
7	• 050-4141-50	• Control Cover.....	1	21	• 040-0010-18	• Screw	12
8	• 015-1267-00	• Transformer.....	1	22	• 029-2231-50	• Plate Assembly.....	1
9	• 015-1277-00	• Light Strip.....	1	23	• 015-1252-00	• Control Board	1
10	• 050-4140-50	• Wiring Cover	1	24	• 041-0006-02	• Hex Nut	4
11	• 015-0007-00	• Wrap-n-Tap Clamp.....	6	25	• 015-0066-16	• Power Cord Assembly	1
12	• 050-4139-50	• Connection Cover	1				

Always Specify Model & Serial Number

LAMINATE TOP REFERENCE TABLE

NOTE

Be sure to verify model number and specify desired color when ordering countertop. If necessary, refer to Section II.



MA506100

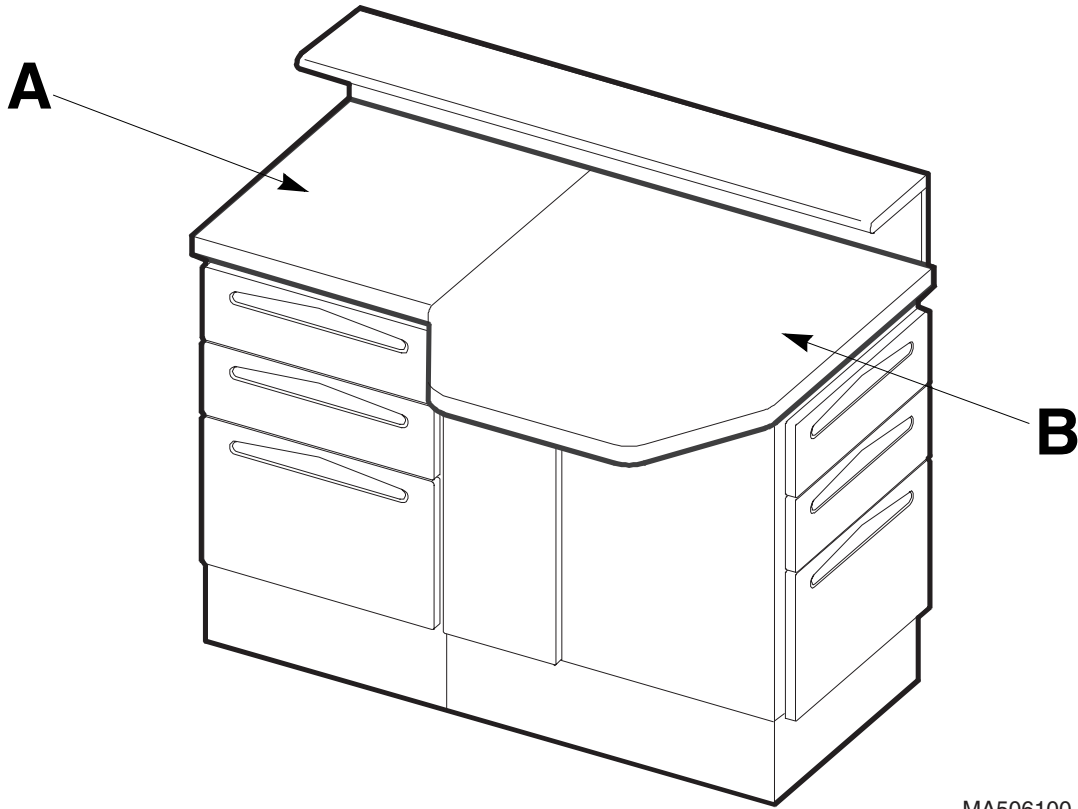
Countertop Part Number Identification

Model Number	Part "A"	Part "B"
DK-RDL001	029-8600-01	029-8700-01
DK-RDL002	029-8600-01	029-8700-01
DK-RDL003	029-8600-01	029-8700-01
DK-RDR001	029-8600-00	029-8700-00
DK-RDR002	029-8600-00	029-8700-00
DK-RDR003	029-8600-00	029-8700-00
DK-RTL001	029-8600-01	029-8700-01
DK-RTL002	029-8600-01	029-8700-01
DK-RTL003	029-8600-01	029-8700-01
DK-RTR001	029-8600-00	029-8700-00
DK-RTR002	029-8600-00	029-8700-00
DK-RTR003	029-8600-00	029-8700-00

SOLID SURFACE TOP REFERENCE TABLE

NOTE

Be sure to verify model number and specify desired color when ordering countertop. If necessary, refer to Section II.



MA506100

Countertop Part Number Identification

Model Number	Solid Color Top Assembly Number(s)		Patterned Top Assembly Number(s)	
	Part "A"	Part "B"	Part "A"	Part "B"
DK-RDL001SS	029-2436-01	029-2435-01	029-2436-01	029-2435-01
DK-RDL002SS	029-2436-01	029-2435-01	029-2436-01	029-2435-01
DK-RDL003SS	029-2436-01	029-2435-01	029-2436-01	029-2435-01
DK-RDR001SS	029-2436-00	029-2435-00	029-2436-00	029-2435-00
DK-RDR002SS	029-2436-00	029-2435-00	029-2436-00	029-2435-00
DK-RDR003SS	029-2436-00	029-2435-00	029-2436-00	029-2435-00
DK-RTL001SS	029-2436-01	029-2435-01	029-2436-01	029-2435-01
DK-RTL002SS	029-2436-01	029-2435-01	029-2436-01	029-2435-01
DK-RTL003SS	029-2436-01	029-2435-01	029-2436-01	029-2435-01
DK-RTR001SS	029-2436-00	029-2435-00	029-2436-00	029-2435-00
DK-RTR002SS	029-2436-00	029-2435-00	029-2436-00	029-2435-00
DK-RTR003SS	029-2436-00	029-2435-00	029-2436-00	029-2435-00

COMMENTS

The Technical Publications Department of Midmark Corporation takes pride in its publications. We are sure that our manuals will fill all of your needs when you are performing scheduled maintenance, servicing, or repairs on a Midmark product.

However, if you find any errors or feel that there should be a change, addition, or deletion to a manual, please let us know!

Page(s) and Paragraph(s) Needing Changed:

Description of Error or Desired Change:

Please fax or mail a copy of this completed comment sheet to:

Midmark Corporation
ATTN: Technical Publications Department
60 Vista Drive
Versailles, Ohio 45380
Fax: (937) 526-5542

FAX ORDERING FORM

(SERVICE PARTS ONLY)

NOTES:

- ALL **BLOCKED** AREAS MUST BE COMPLETED.
- USE FOR NON-WARRANTY FAX ORDERS ONLY. WARRANTY ORDERS MUST BE TELEPHONED IN (1-800-MIDMARK).

ATTENTION: SERVICE DEPARTMENT FAX#: 877-249-1793				
ACCT #: _____		P.O. #: _____		DATE: _____
NAME: _____		SHIP TO: _____		
ADDRESS: _____		_____		
CITY, ST.: _____		_____		
CONTACT: _____		_____		
PHONE: _____		_____		
<input type="checkbox"/> NON-EMERGENCY ORDER - TO SHIP WITHIN 72 HOURS IF PART(S) IN STOCK.		METHOD OF SHIPMENT <u>OTHER</u> _____		
<input type="checkbox"/> EMERGENCY ORDER - TO SHIP WITHIN 24 HOURS IF PART(S) IN STOCK (IF ORDER IS RECEIVED BEFORE 1:00 P.M. E.S.T). SEND NOTIFICATION IF PARTS ARE NOT AVAILABLE TO SHIP WITHIN 24 HOURS VIA E-MAIL OR FAX TO: _____		UPS FED EX		
		<input type="checkbox"/> NEXT DAY A.M. <input type="checkbox"/> NEXT DAY A.M.		
		<input type="checkbox"/> NEXT DAY P.M. <input type="checkbox"/> NEXT DAY P.M.		
		<input type="checkbox"/> 2ND DAY <input type="checkbox"/> 2ND DAY		
		<input type="checkbox"/> GROUND <input type="checkbox"/> ECONOMY		
QTY.	PART #	DESCRIPTION (SPECIFY COLOR OF ITEM IF APPLICABLE)	COLOR CODE	PRICE/PER
			TOTAL COST: \$	

Midmark Corporation
60 Vista Drive
P.O. Box 286
Versailles, Ohio 45380-0286
937-526-3662
Fax 937-526-5542
midmark.com



Because we care.

Subject to change without notice.
Refer to www.Documark.com for latest revision.