

# Modular Casework Accessories

*Model Numbers:*



## Parts Manual



# Table Of Contents

## Section E

### **EXPLODED VIEWS / PARTS LISTS**

<b><u>Accessory Name</u></b>	<b><u>Page</u></b>
Corner Brackets .....	E-2
End Cap .....	E-3
Sloping Top w/ Joint Straps .....	E-4
13" Corner Sloping Top .....	E-5
17" & 23" Tall Corner Sloping Top .....	E-6
Countertop Brace .....	E-7
End Scribes .....	E-8
Leg Support .....	E-9
Desk Leg .....	E-10
Drop Down Brackets .....	E-11
Desk Support / Hanger Bracket Kit .....	E-12
Task Light .....	E-13
Keyboard Tray / Arm .....	E-14
Bio-hazardous Grommet .....	E-15



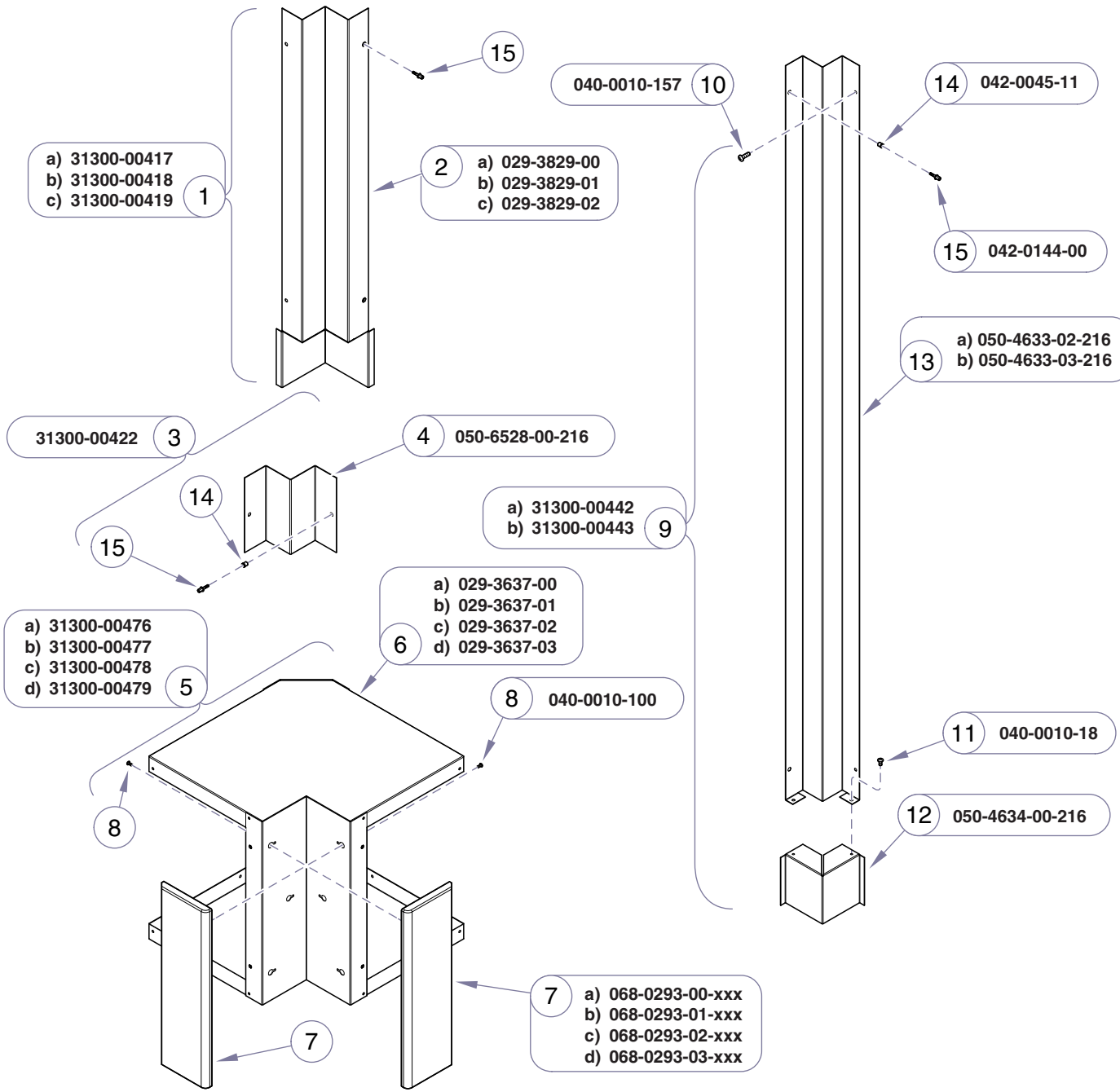
This page intentionally left blank.

Always Specify Sales, Model & Item Number

**Models:**  
**Build Date:**

**Refer To:**

Color Selector ..... [www.midmark.com](http://www.midmark.com)



**ATTENTION: Refer to *Current Color Options* link for appropriate numbers to replace -xxx.**

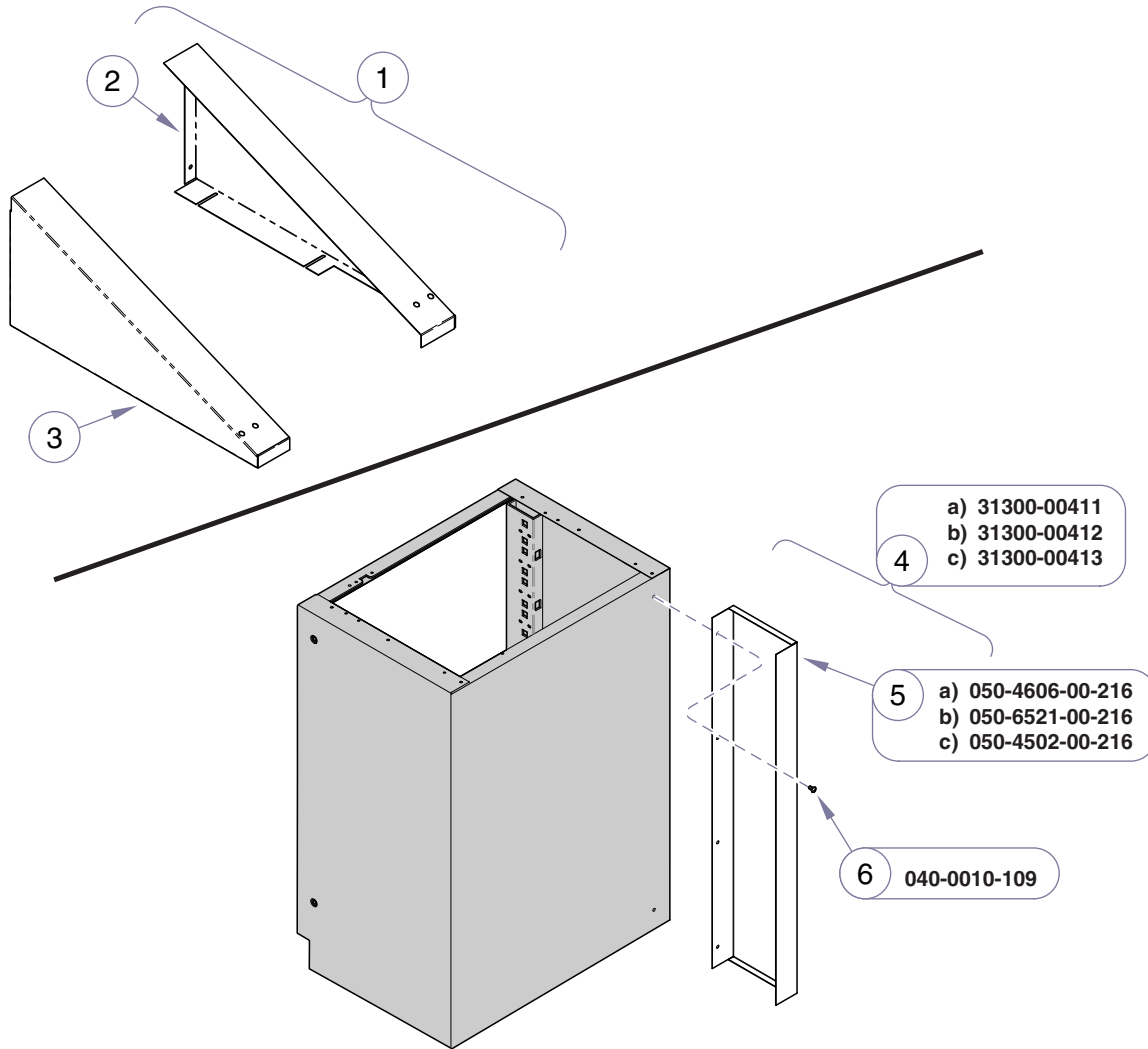
Item	Description	Qty.
1	Base Corner Bracket Accessory: (includes item 2 & 15)	
	a) (30" base) .....	1
	b) (34" base) .....	1
	c) (36" base) .....	1
2	• Bracket Assembly .....	1
	a) (30" base) .....	1
	b) (34" base) .....	1
	c) (36" base) .....	1
3	Desk Corner Bracket Accessory: (items 4 & 14 thru 15) .....	1
4	• Desk Corner Bracket .....	1
5	Overhead Corner Bracket Accessory: (items 6 thru 8)	
	a) 18" .....	1
	b) 24" .....	1
	c) 30" .....	1
	d) 36" .....	1
6	• Corner Bracket Assembly .....	1
	a) 18" .....	1
	b) 24" .....	1
	c) 30" .....	1
	d) 36" .....	1
7	• Overhead Corner Panel:	
	a) 18" (specify color) .....	2
	b) 24" (specify color) .....	2
	c) 30" (specify color) .....	2
	d) 36" (specify color) .....	2
8	• Screw (#10 x 1/2") .....	6
9	Tall Corner Bracket Accessory:	
	a) 69" (items 10 thru 13 & 15) .....	1
	b) 84" (items 12 & 15) .....	1
10	• Screw (#10-24 x 5/8") .....	3
11	• Screw (#10 self tapping) .....	2
12	• Base Lower Bracket Assembly (4.25") ....	1
13	• Base Upper Corner Bracket	
	a) (64.35") .....	1
	b) (84") .....	1
14	• Nutsert (#10-24) .....	AR
15	• Screw, Special (#10-24 x 3/4") .....	AR

**Always Specify Sales, Model & Item Number**

MA759700i

Dimensions	Assembly Part Number (must order with panel # to specify color)	Pebble Grey Panel	Woodgrain Panel	Item #2
13" RH	XC-SDA005R-010514	050-7165-00-216	068-0658-00-xxx	Item #2
13" LH	XC-SDA005L-010514	050-7165-01-216	068-0658-01-xxx	Item #3
17" RH	XC-STA005R-010718	050-7326-00-216	068-0660-00-xxx	Item #2
17" LH	XC-STA005L-010718	050-7326-01-216	068-0660-01-xxx	Item #3
23" RH	XC-STA005R-010924	050-7325-00-216	068-0662-00-xxx	Item #2
23" LH	XC-STA005L-010924	050-7325-01-216	068-0662-01-xxx	Item #3

**Refer To:**  
Color Selector ..... [www.midmark.com](http://www.midmark.com)



Item	Description	Qty.
1	Sloping Top End Cap Accessory: Refer Chart to order correct panel	
2	RH Sloping Top End Cap 23" (shown).....	1
3	LH Sloping Top End Cap: 23" (shown).....	1
4	Base End Cap Accessory: (includes item 6 & 7)	
	a) 30" (shown).....	1
	b) 34" .....	1
	c) 36" .....	1
5	• Base End Cap .....	1
	a) 30" (shown).....	1
	b) 34" .....	1
	c) 36" .....	1
6	• Screw (#10-24 x 3/8") .....	4

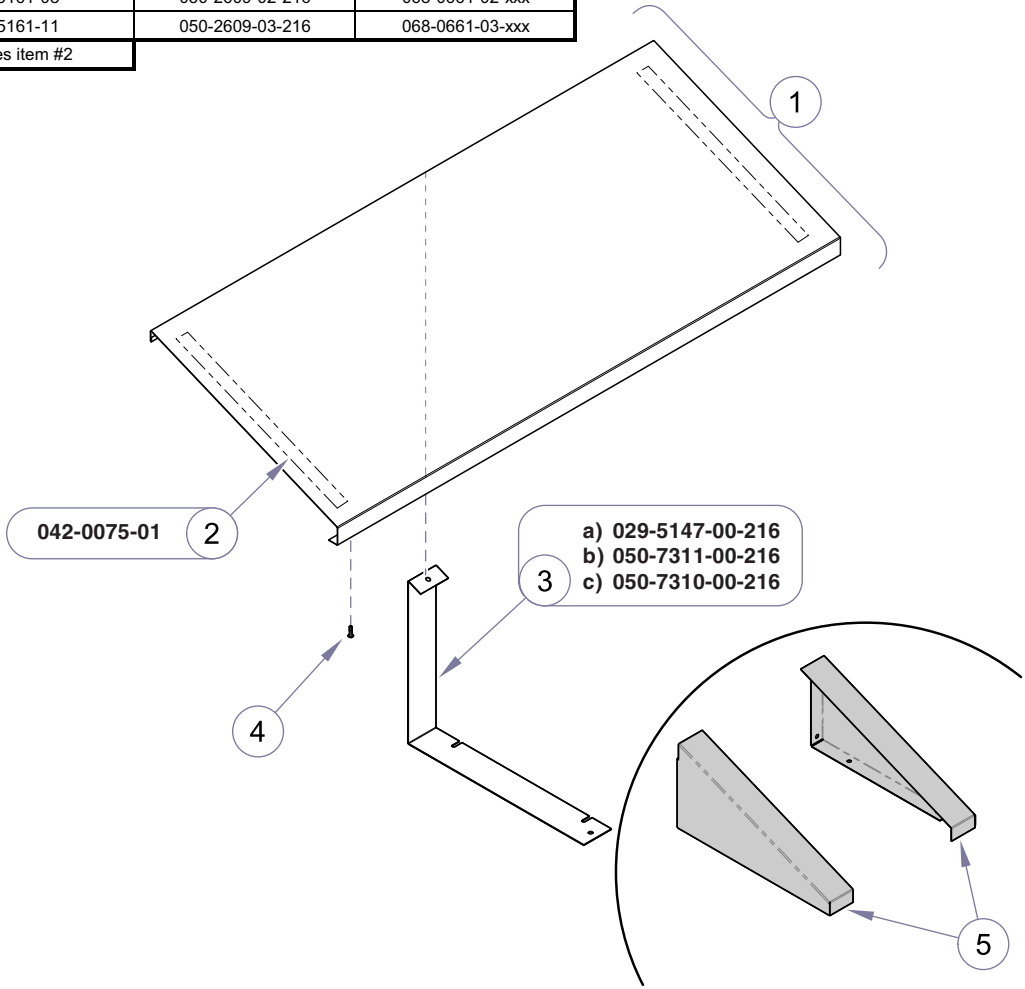
**Always Specify Sales, Model & Item Number**

MA759902i

**Models:** \_\_\_\_\_  
**Build Date:** \_\_\_\_\_

**End Cap Accessories**

Dimensions (Specify Length)*	Assembly Part Number (must order with panel # to specify color)	Pebble Grey Panel	Woodgrain Panel
13" x (12" - 24")	029-5161-00	050-3263-00-216	068-0657-00-xxx
13" x (24" - 48")	029-5161-03	050-3263-01-216	068-0657-01-xxx
13" x (48" - 72")	029-5161-06	050-3263-02-216	068-0657-02-xxx
13" x (72" - 96")	029-5161-09	050-3263-03-216	068-0657-03-xxx
17" x (12" - 24")	029-5161-01	050-3261-00-216	068-0659-00-xxx
17" x (24" - 48")	029-5161-04	050-3261-01-216	068-0659-01-xxx
17" x (48" - 72")	029-5161-07	050-3261-02-216	068-0659-02-xxx
17" x (72" - 96")	029-5161-10	050-3261-03-216	068-0659-03-xxx
23" x (12" - 24")	029-5161-02	050-2609-00-216	068-0661-00-xxx
23" x (24" - 48")	029-5161-05	050-2609-01-216	068-0661-01-xxx
23" x (48" - 72")	029-5161-08	050-2609-02-216	068-0661-02-xxx
23" x (72" - 96")	029-5161-11	050-2609-03-216	068-0661-03-xxx
	includes item #2		



Item	Description	Qty.
1	Overhead Sloping Top Accessory: Refer Chart to order correct panel <b>Specify Length</b> (includes item 2) ..... 1	
2	• Double Sided Tape ..... AR	
3	Middle Support Bracket	
	a) 13" ..... 1	
	b) 17" ..... 1	
	c) 23" ..... 1	
4	• • Self Tap Screw ( <b>Optional</b> ) (#8 x 5/8") 1	
5	Refer to End Caps ..... Ref	

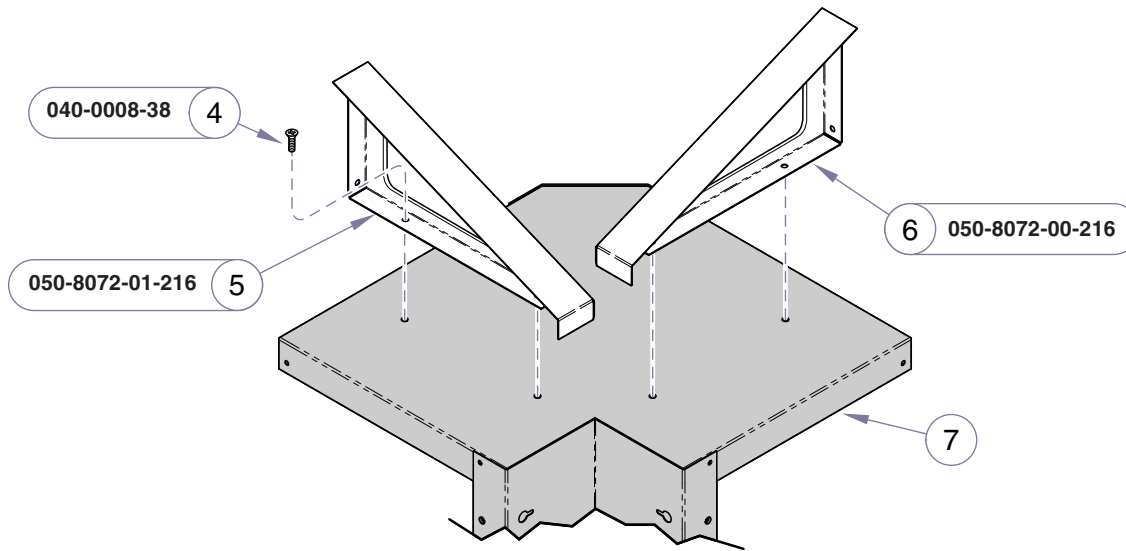
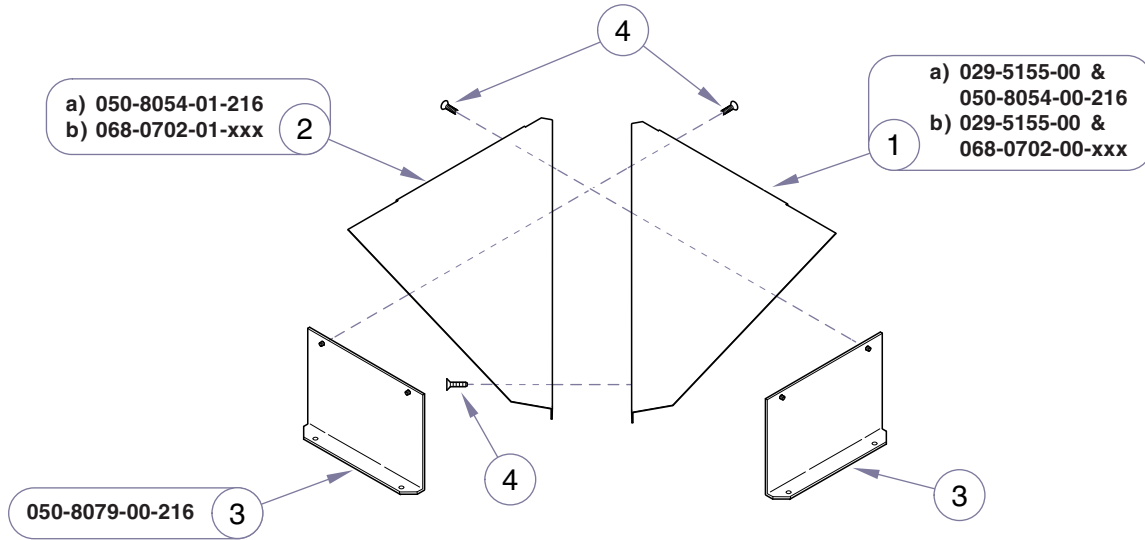
**Always Specify Sales, Model & Item Number**

MA760102i



**Refer To:**

Color Selector ..... [www.midmark.com](http://www.midmark.com)



Item	Description	Qty.
1	RH 13" Corner Sloping Top Assembly: (includes nutsert)	
	a) Painted .....	1
	b) Vinyl .....	1
2	LH 13" Corner Sloping Top	
	a) Painted .....	1
	b) Vinyl .....	1
3	Corner Sloping Top Bracket .....	2
4	Self Tap Screw (#8-32 x 3/4") .....	AR
5	LH 13" Sloping Top Support Bracket .....	1
6	RH 13" Sloping Top Support Bracket .....	2
7	Refer to Corner Bracket Accessory .....	Ref

**Always Specify Sales, Model & Item Number**

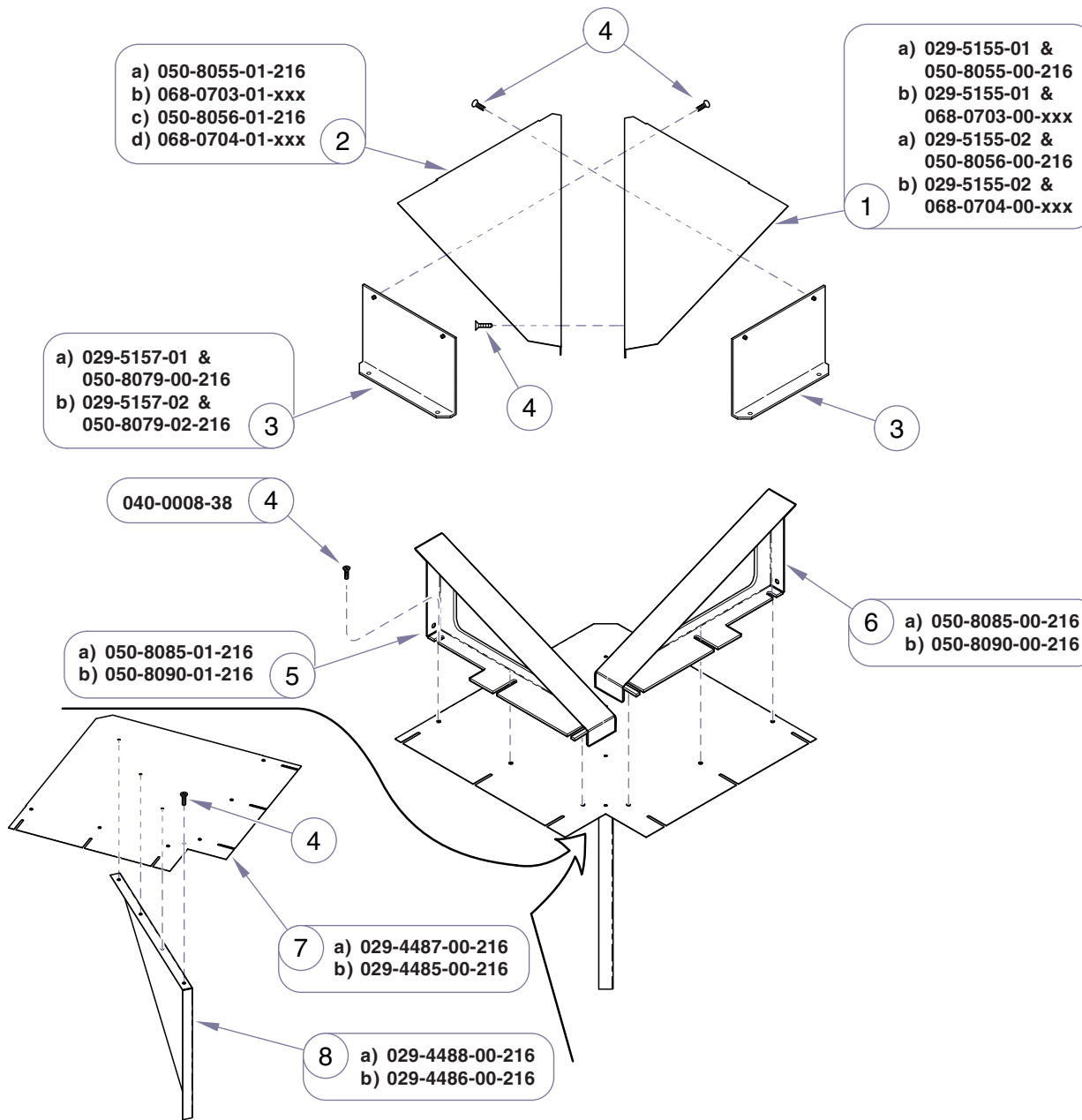
MA8202i

**Models:** \_\_\_\_\_  
**Build Date:** \_\_\_\_\_

**13" Corner Sloping  
Top Accessory**

**Refer To:**

Color Selector ..... [www.midmark.com](http://www.midmark.com)



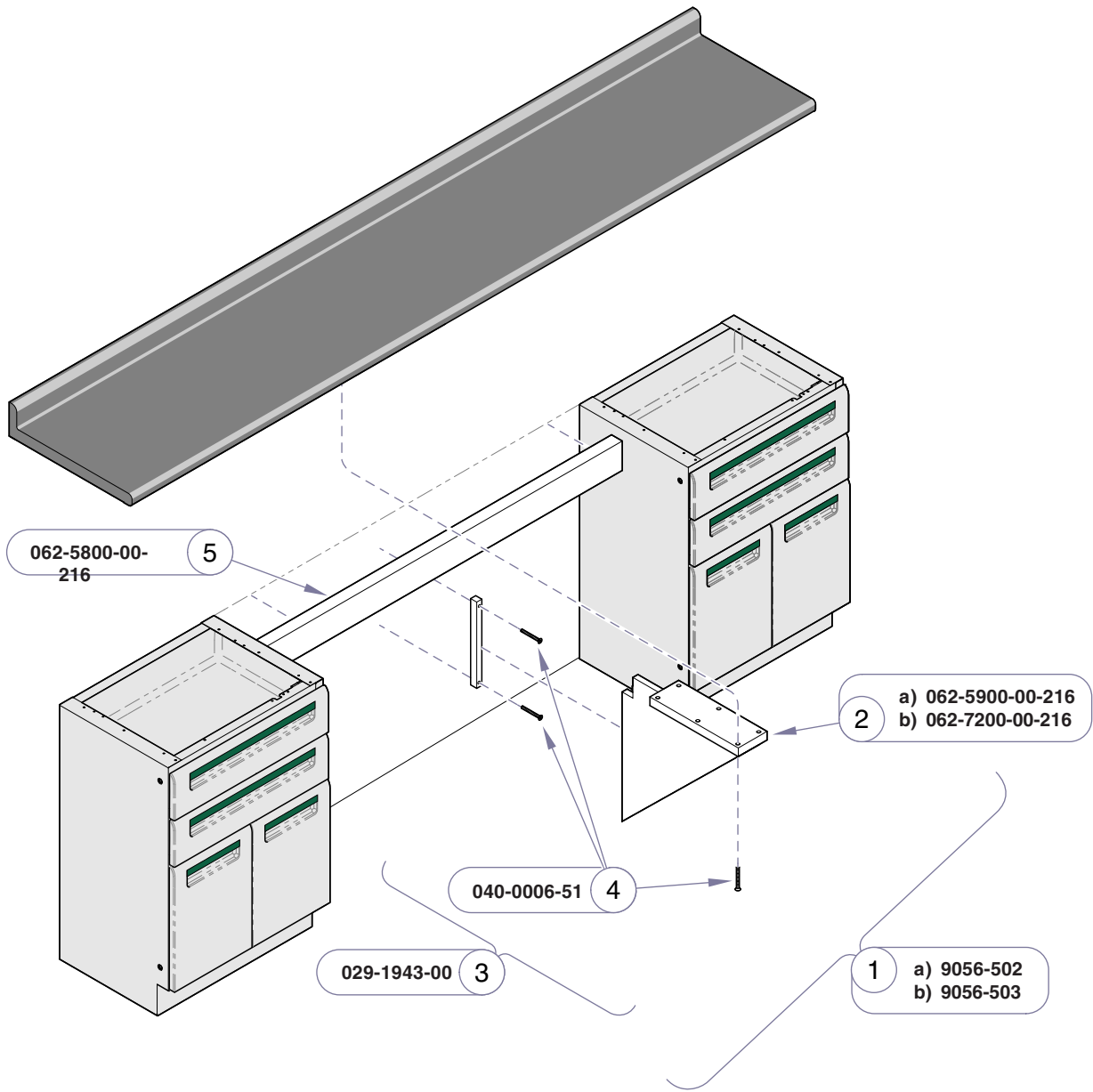
Item	Description	Qty.
1	RH Corner Sloping Top Assembly: <i>(includes nutsert)</i>	
	a) 17" Painted .....	1
	b) 17" Vinyl .....	1
	c) 23" Painted .....	1
	d) 23" Vinyl .....	1
2	LH Corner Sloping Top	
	a) 17" Painted .....	1
	b) 17" Vinyl .....	1
	c) 23" Painted .....	1
	d) 23" Vinyl .....	1
3	Corner Sloping Top Bracket	
	a) 17" .....	2
	b) 23" .....	2
4	Self Tap Screw (#8-32 x 3/4") .....	AR
5	LH Sloping Top Support Bracket	
	a) 17" .....	1
	b) 23" .....	1
6	RH Sloping Top Support Bracket	
	a) 17" .....	1
	b) 23" .....	1
7	Top Corner Assembly <i>(includes nutsert)</i>	
	a) 17" .....	1
	b) 23" .....	1
8	Corner Support Assembly <i>(includes nutsert)</i>	
	a) 17" .....	1
	b) 23" .....	1

**Always Specify Sales, Model & Item Number**

MA8203i

**17" & 23" Tall Corner  
Sloping Top Accessory**

**Models:**  
**Build Date:**



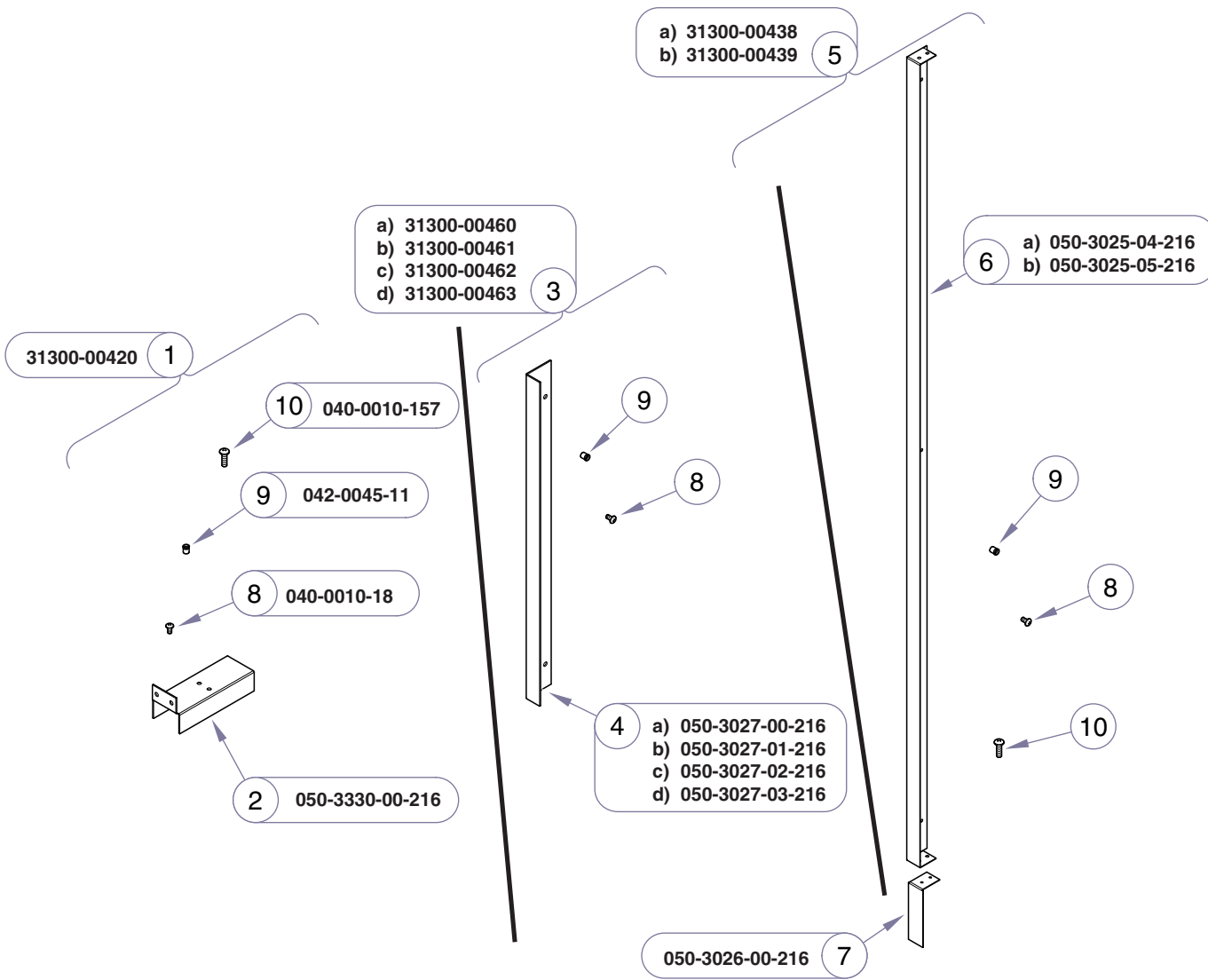
Item	Description	Qty.
1	Countertop Brace Accessory <i>(includes items 2 thru 4)</i>	
	a) 19" .....	1
	b) 25" .....	1
2	• Countertop Brace	
	a) 19" .....	1
	b) 25" .....	1
3	• Screw Bag Assembly <i>(includes item 4)</i> ....	1
4	• Screw (#6 x 1 1/4") .....	8
5	Support Board .....	1

**Always Specify Sales, Model & Item Number**

MA764300i

**Models:** \_\_\_\_\_  
**Build Date:** \_\_\_\_\_

**Countertop Brace Accessory**



Item	Description	Qty.
1	Desk End Scribe Accessory: (includes items 2 & 8 thru 10)	1
2	• Desk Scribe Bracket	1
3	Overhead End Scribe Accessory: (includes items 4, 8, & 9)	
	a) 18"	1
	b) 24"	1
	c) 30"	1
	d) 36"	1
4	• Overhead End Scribe	
	a) 18"	1
	b) 24"	1
	c) 30"	1
	d) 36"	1
5	Tall End Scribe Accessory: (includes items 6 thru 10)	
	a) 69"	1
	b) 84"	1
6	• Tall End Panel Scribe	
	a) 69"	1
	b) 84"	1
7	• Kick Panel Scribe	1
8	• Screw, Self Tap (#10 x 3/8")	1
9	• Nutsert (#10)	1
10	• Screw (#10-24 x 5/8")	1

Always Specify Sales, Model & Item Number

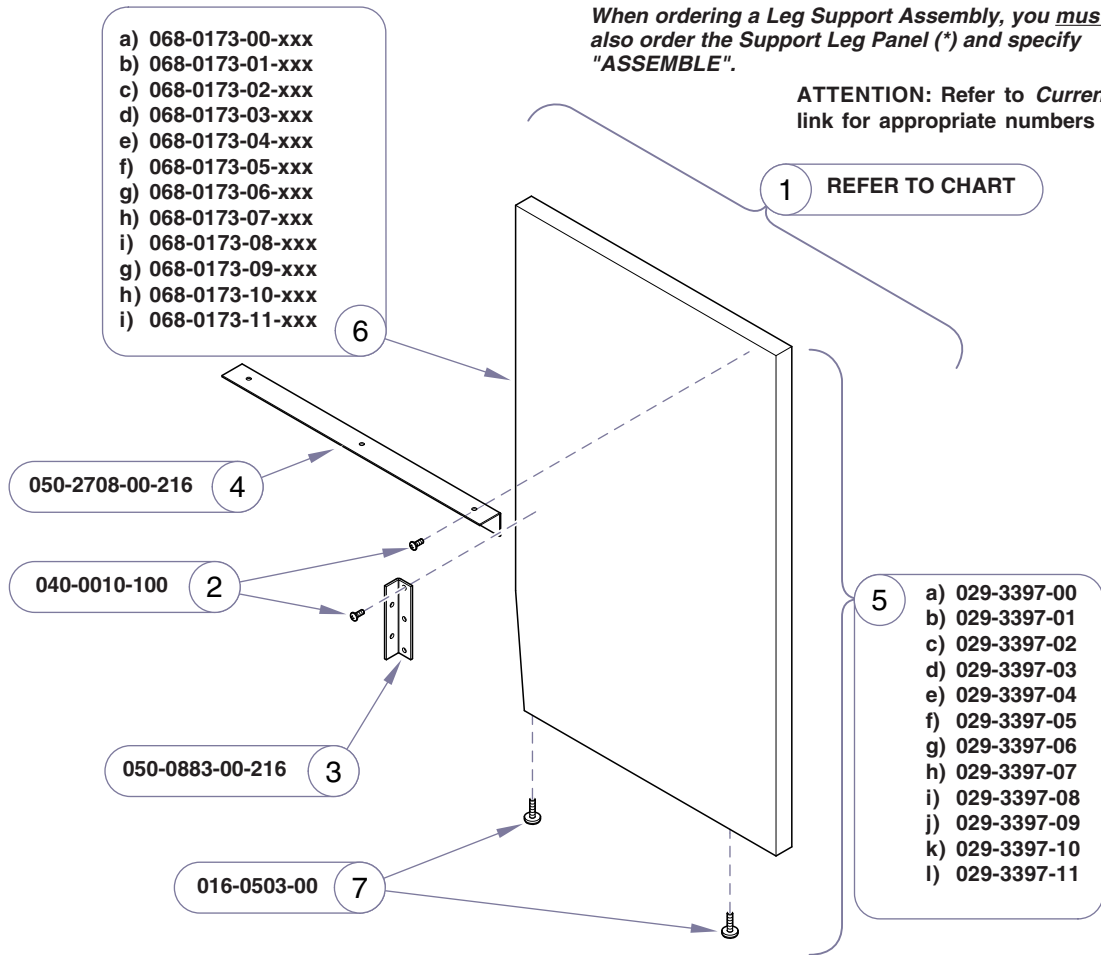
MA761100i

Leg Support Assembly	Bundle Number	Height	Depth	Leg Support Assembly	Bundle Number	Height	Depth	Leg Support Assembly	Bundle Number	Height	Depth
029-3397-00	31300-00377	28.275"	17"	029-3397-04	31300-00381	32"	23"	029-3397-08	31300-00385	34"	29"
	31300-00495	30"	18"		31300-00499	34"	24"		31300-00503	36"	30"
	31300-00544	30"	18"		31300-00548	34"	24"		31300-00552	36"	30"
029-3397-01	31300-00378	28.275"	23"	029-3397-05	31300-00382	32"	29"	029-3397-09	31300-00579	33"	18"
	31300-00496	30"	24"		31300-00500	34"	30"		31300-00580	33"	18"
	31300-00545	30"	24"		029-3397-10	31300-00549	34"	30"	31300-00581	33"	24"
029-3397-02	31300-00379	28.275"	29"	029-3397-06		31300-00383	34"	17"	31300-00582	33"	24"
	31300-00497	30"	30"		31300-00501	36"	18"	029-3397-11	31300-00583	33"	30"
	31300-00546	30"	30"		31300-00550	36"	18"		31300-00584	33"	30"
029-3397-03	31300-00380	32"	17"	029-3397-07	31300-00384	34"	23"				
	31300-00498	34"	18"		31300-00502	36"	24"				
	31300-00547	34"	18"		31300-00551	36"	24"				

**Refer To:**  
Color Selector ..... [www.midmark.com](http://www.midmark.com)

**NOTE:**  
When ordering a Leg Support Assembly, you must also order the Support Leg Panel (\*) and specify "ASSEMBLE".

**ATTENTION:** Refer to *Current Color Options* link for appropriate numbers to replace -xxx.



Item	Description	Qty.
1	Leg Support Accessory: (items 2 thru 5)	
	a) 17" x 28.275" .....	1
	b) 30" x 18" .....	1
	c) 30" x 18" .....	1
2	• Screw (#10 x 1/2") .....	9
3	• Desk Leg Bracket .....	1
4	• Support Leg Bracket .....	1
5	• Leg Support Assembly (incl. item 6)	
	a) 30" x 18" .....	1
	b) 30" x 24" .....	1
	c) 30" x 30" .....	1
	d) 34" x 18" .....	1
	e) 34" x 24" .....	1
	f) 34" x 30" .....	1
	g) 36" x 18" .....	1
	h) 36" x 24" .....	1
	i) 36" x 30" .....	1
	j) 33" x 18" .....	1
	k) 33" x 24" .....	1
	l) 33" x 30" .....	1
6	* * Support Leg Panel	
	a) 30" x 18" (specify color) .....	1
	b) 30" x 24" (specify color) .....	1
	c) 30" x 30" (specify color) .....	1
	d) 34" x 18" (specify color) .....	1
	e) 34" x 24" (specify color) .....	1
	f) 34" x 30" (specify color) .....	1
	g) 36" x 18" (specify color) .....	1
	h) 36" x 24" (specify color) .....	1
	i) 36" x 30" (specify color) .....	1
	j) 33" x 18" (specify color) .....	1
	k) 33" x 24" (specify color) .....	1
	l) 33" x 30" (specify color) .....	1
7	• • Leveling Screw (#8 x 1 1/2") .....	2

**Always Specify Sales, Model & Item Number**

MA7618001

**Models:**  
**Build Date:**

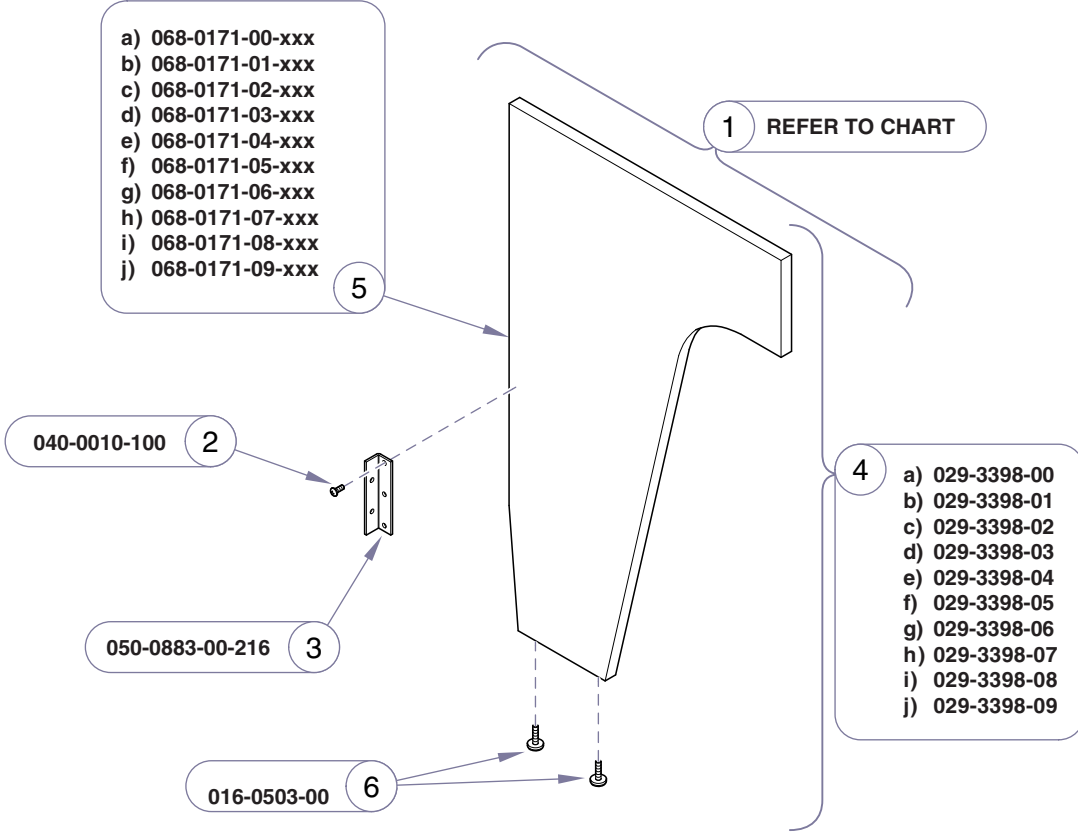
**Leg Support Accessory**

Leg Support Assembly	Bundle Number	Height	Depth	Leg Support Assembly	Bundle Number	Height	Depth	Leg Support Assembly	Bundle Number	Height	Depth
029-3398-00	31300-00371	30"	17"	029-3398-04	31300-00375	36"	17"	029-3398-07	31300-00403	42"	24"
	31300-00425	30"	18"		31300-00429	36"	18"		31300-00432	42"	24"
	31300-00508	30"	18"		31300-00512	36"	18"		31300-00515	42"	24"
029-3398-01	31300-00372	30"	23"	029-3398-05	31300-00376	36"	23"	029-3398-08	31300-00575	33"	18"
	31300-00426	30"	24"		31300-00430	36"	24"		31300-00576	33"	18"
	31300-00509	30"	24"		31300-00513	36"	24"	029-3398-09	31300-00577	33"	24"
029-3398-02	31300-00373	34"	17"	029-3398-06	31300-00402	42"	18"		31300-00578	33"	24"
	31300-00427	34"	18"		31300-00431	42"	18"				
	31300-00510	34"	18"		31300-00514	42"	18"				
029-3398-03	31300-00374	34"	23"								
	31300-00428	34"	24"								
	31300-00511	34"	24"								

**Refer To:**  
Color Selector ..... [www.midmark.com](http://www.midmark.com)

**NOTE:**  
When ordering a Desk Leg Assy., you must also order the Leg Panel (\*) and specify "ASSEMBLE".

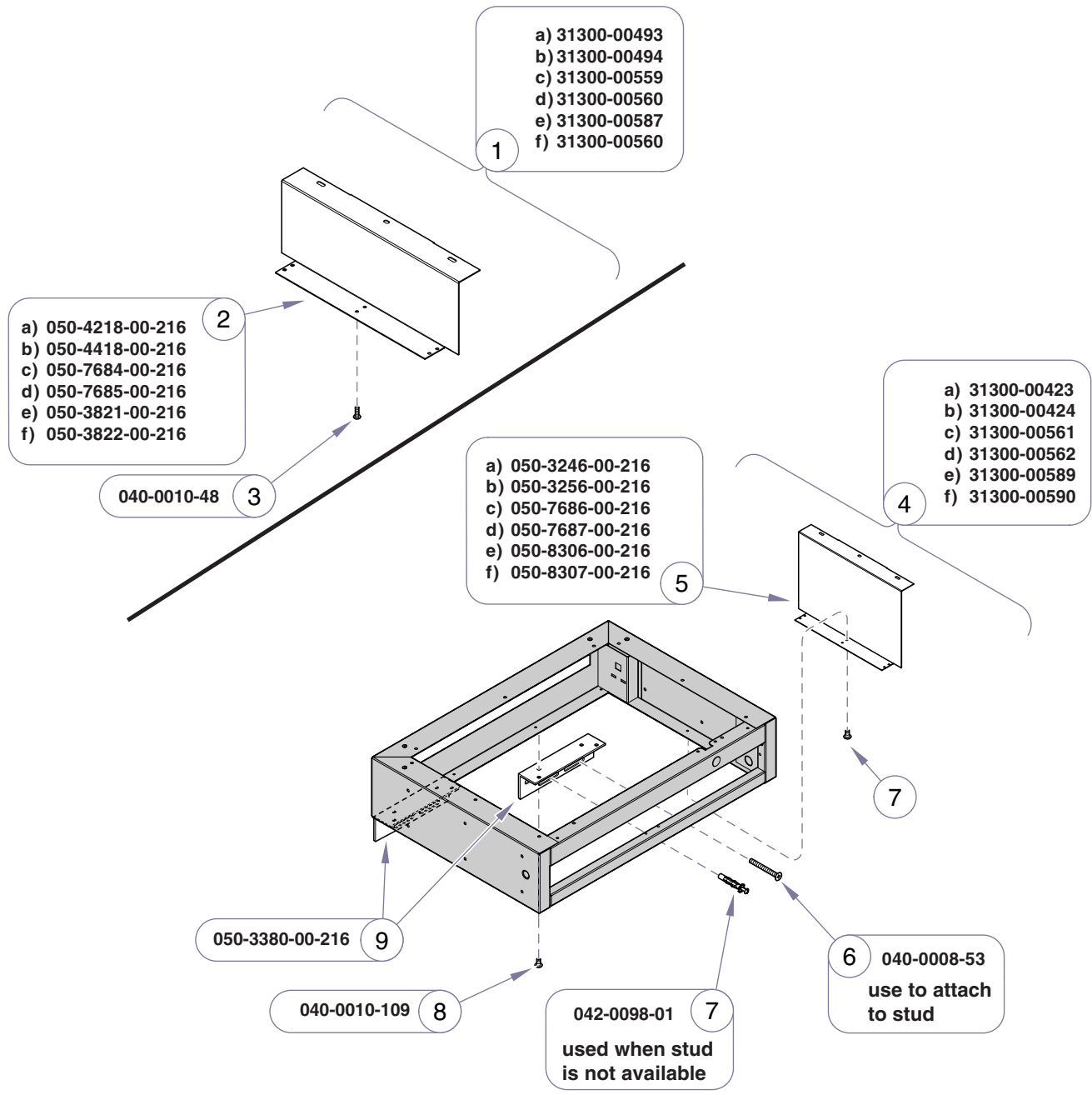
**ATTENTION:** Refer to *Current Color Options* link for appropriate numbers to replace -xxx.



Item	Description	Qty.
1	Desk Leg Accessory: (items 2 and 3)	
2	• Screw (#10 x 1/2")	9
3	• Desk Leg Bracket	1
4	• Desk Leg Assembly (incl. item 6)	
	a) 30" x 18"	1
	b) 30" x 24"	1
	c) 34" x 18"	1
	d) 34" x 24"	1
	e) 36" x 18"	1
	f) 36" x 24"	1
	g) 42" x 18"	1
	h) 42" x 24"	1
	i) 33" x 18"	1
	j) 33" x 24"	1
5	** Leg Panel (incl. item 4)	
	a) 30" x 18" (specify color)	1
	b) 30" x 24" (specify color)	1
	c) 34" x 18" (specify color)	1
	d) 34" x 24" (specify color)	1
	e) 36" x 18" (specify color)	1
	f) 36" x 24" (specify color)	1
	g) 42" x 18" (specify color)	1
	h) 42" x 24" (specify color)	1
	i) 33" x 18" (specify color)	1
	j) 33" x 24" (specify color)	1
6)	• • Leveling Screw (#8 x 1 1/2")	2

**Always Specify Sales, Model & Item Number**

MA761900i



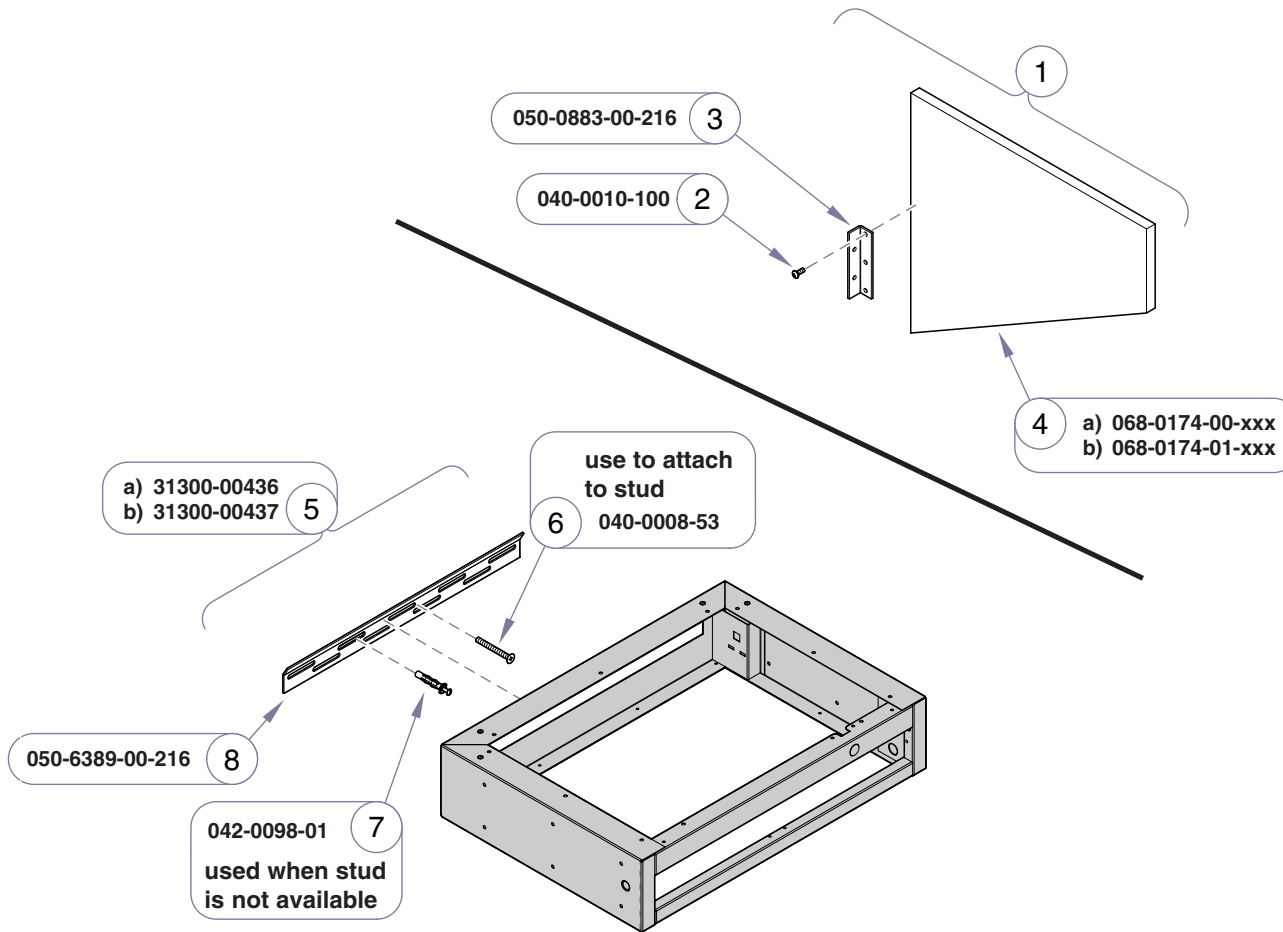
Item	Description	Qty.
1	Drop Down Counter Top Support Accessory: (includes item 2 & 3) Bracket to lower Countertop from 36" to 30" (shown)	
	a) 18" .....	1
	b) 24" .....	1
	from 34" to 30" Bracket	
	c) 18" .....	1
	d) 24" .....	1
	from 33" to 30" Bracket	
	c) 18" .....	1
	d) 24" .....	1
2	Countertop Hanger .....	1
	Bracket to lower Countertop from (36" to 30") (shown)	
	a) 18" .....	1
	b) 24" .....	1
	from (34" to 30")	
	c) 18" .....	1
	d) 24" .....	1
	from 33" to 30" Bracket	
	c) 18" .....	1
	d) 24" .....	1
3	Screw (#10-13 x 5/8") .....	3
4	Drop Down Desk Bracket Accessory: (Incl. 5 thru 9) Bracket to lower Countertop from 36" to 30" Bracket (shown)	
	a) 18" .....	1
	b) 24" .....	1
	from 34" to 30" Bracket	
	c) 18" .....	1
	d) 24" .....	1
	from 33" to 30" Bracket	
	c) 18" .....	1
	d) 24" .....	1
5	Drop Down Desk Hanger: Bracket to lower Countertop from (36" to 30") (shown)	
	a) 18" .....	1
	b) 24" .....	1
	from (34" to 30")	
	a) 18" .....	1
	b) 24" .....	1
	from 33" to 30" Bracket	
	c) 18" .....	1
	d) 24" .....	1
6	Drywall Screw (#8 x 1 1/2") .....	8
7	Wall Anchor (3/16" short) .....	4
8	Screw (#10 x 1/2") .....	18
9	Desk Rear Bracket .....	2

Always Specify Sales, Model & Item Number

MA762101i

**Models:** \_\_\_\_\_  
**Build Date:** \_\_\_\_\_

**Drop Down  
Bracket Accessories**



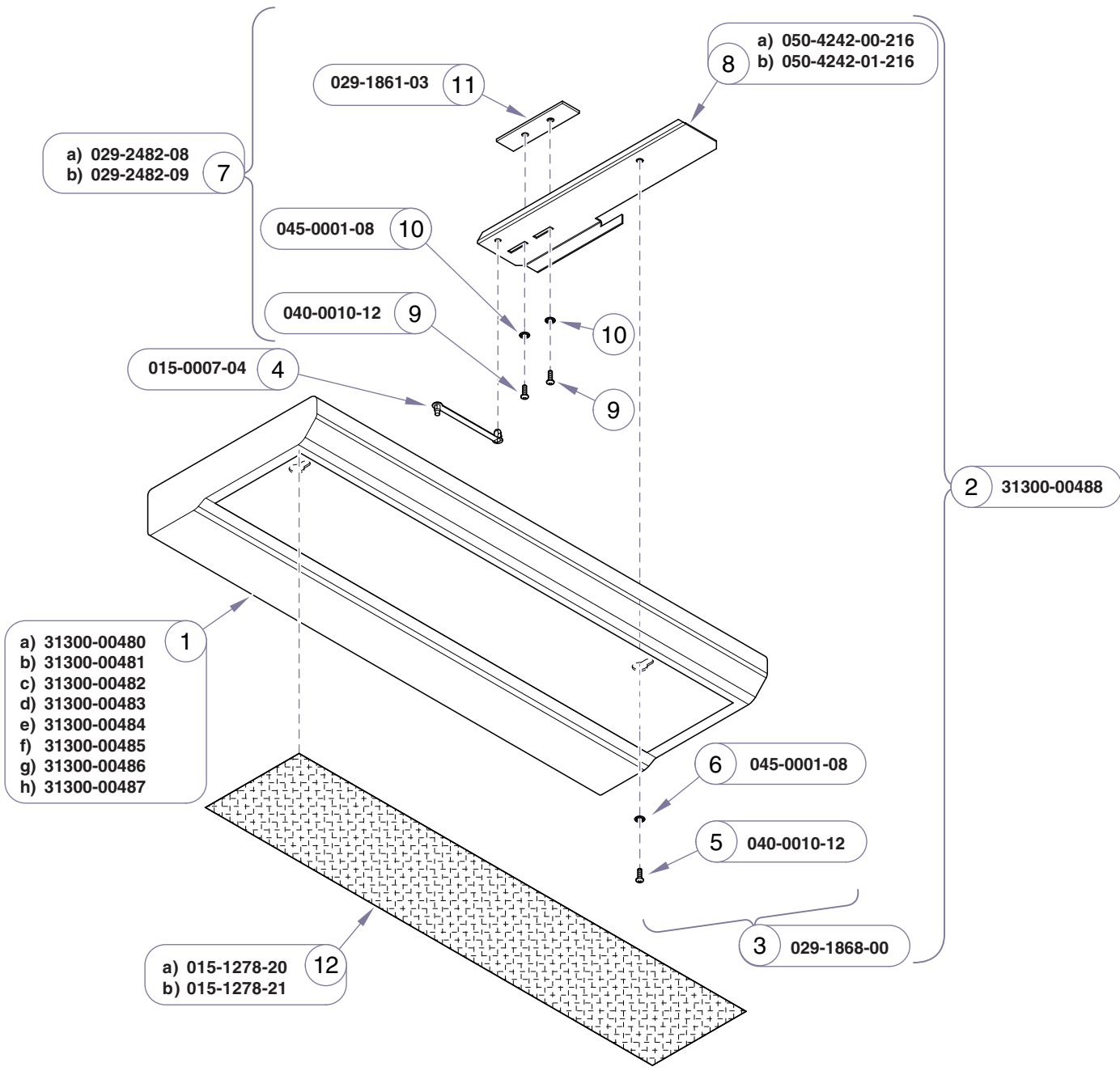
**ATTENTION:** Refer to *Current Color Options* link for appropriate numbers to replace -xxx.

Item	Description	Qty.
1	Desk Support Accessory:	
2	• Screw (#10 x 1/2") .....	18
3	• Desk Leg Bracket .....	2
4	• Desk Support Panel	
	a) 17" .....	2
	b) 23" .....	2
5	Desk Hanger Bracket Kit (Incl. 6 thru 8)	
	a) quantities of item 6 thru 8 times 1	
	b) quantities of item 6 thru 8 times 2	
6	• Drywall Screw (#8 x 1 1/2") .....	8
7	• Wall Anchor (3/16" short) .....	4
8	• Cabinet Hanger .....	1

**Always Specify Sales, Model & Item Number**

MA763700i





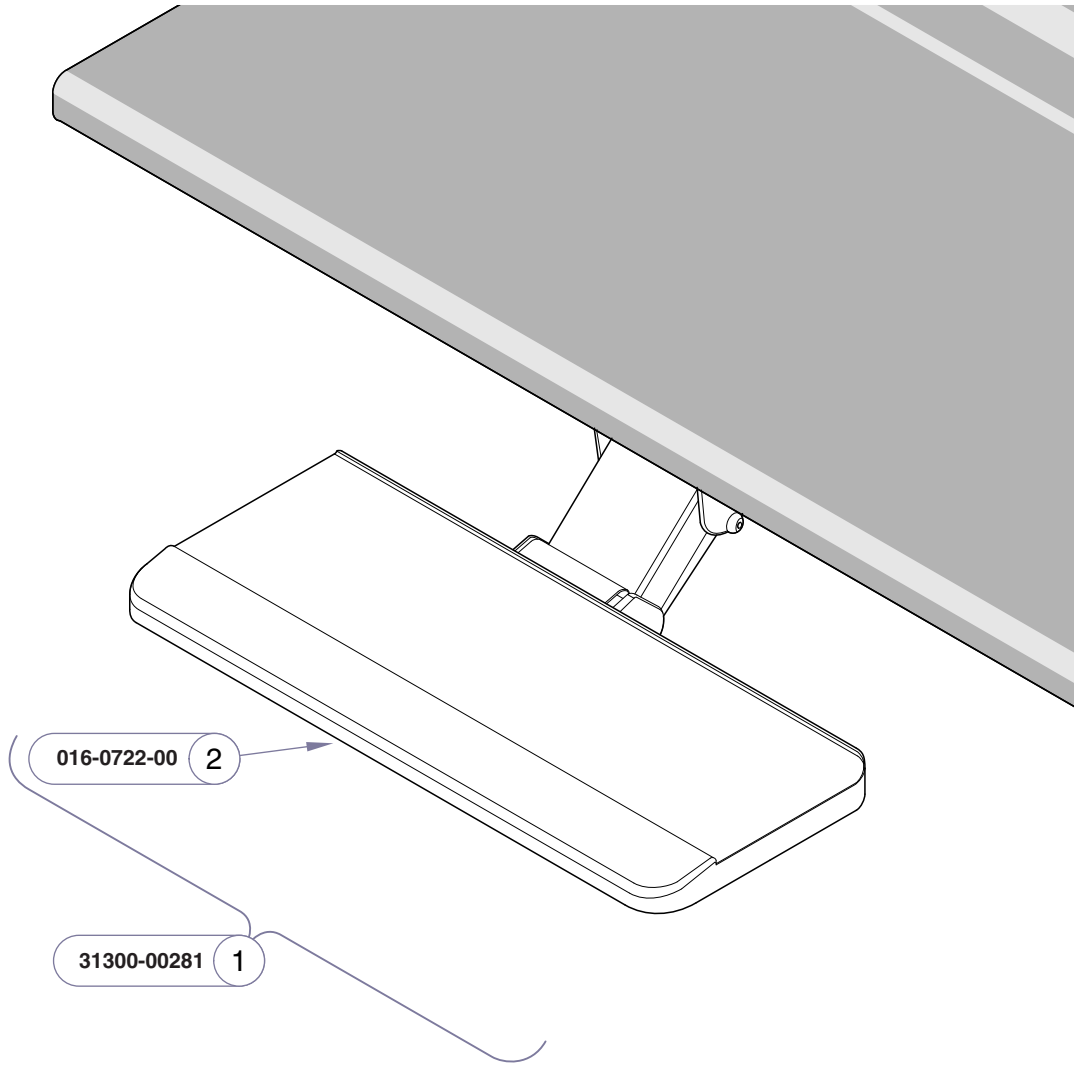
Item	Description	Qty.
1	Track Light Accessory:	
	a) 18" w/ 9' cord .....	1
	b) 18" hard wired .....	1
	c) 18" daisy chain .....	1
	d) 18" w/ 9' cord fused cord .....	1
	e) 36" w/ 9' cord .....	1
	f) 36" hard wired .....	1
	g) 36" daisy chain .....	1
	h) 36" w/ 9' cord fused cord .....	1
2	14" Task Light Brackets (includes items 3 & 7) .....	1
3	• Task Light Bag Assy. (incl. items 4 thru 6) 1	
4	• • Wire Clamp (9/16" Wrap-N-Tap) .....	2
5	• • Screw (#10-24 x 5/8") .....	2
6	• • Lockwasher (#10 - internal tooth) .....	2
7	• Task Light Bracket Assembly (includes items 8 thru 11) .....	1
	a) R.H. (shown) .....	1
	b) L.H. .....	1
8	• • Task Light Bracket: a) R.H. (shown) .....	1
	b) L.H. .....	1
9	• • Screw (#10-24 x 5/8") .....	2
10	• • Lockwasher (#10 - internal tooth) .....	2
11	• • Extension Bracket Assembly .....	1
12	Light Diffuser Panel Accessory	
	a) 18" .....	1
	b) 36" .....	1

Always Specify Sales, Model & Item Number

MA7637001

**Models:**  
**Build Date:**

**Task Light  
Accessories**



Item	Description	Qty.
1	Keyboard Tray/Arm Accessory .....	1
2	• Keyboard Tray/Arm (10.5" x 21") .....	1

**Always Specify Sales, Model & Item Number**

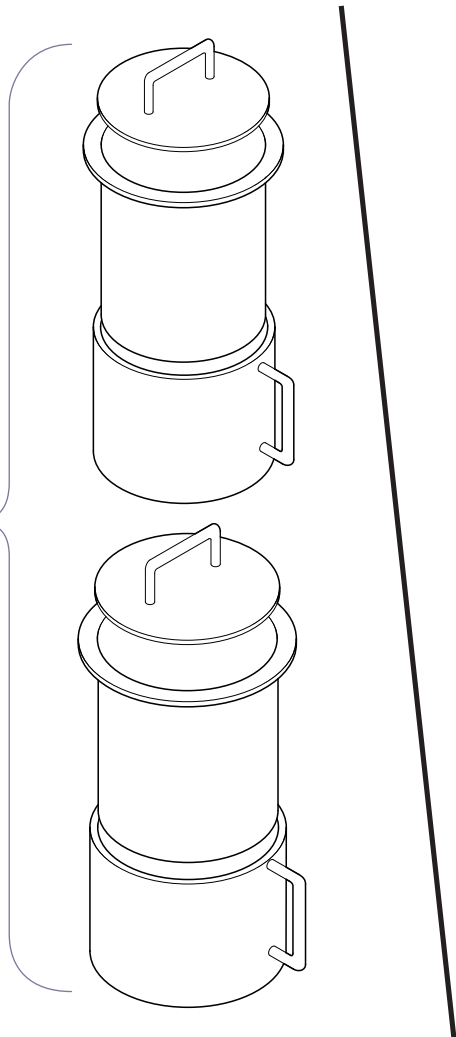
MA763900i

**Keyboard Tray / Arm  
Accessory**

**Models:  
Build Date:**

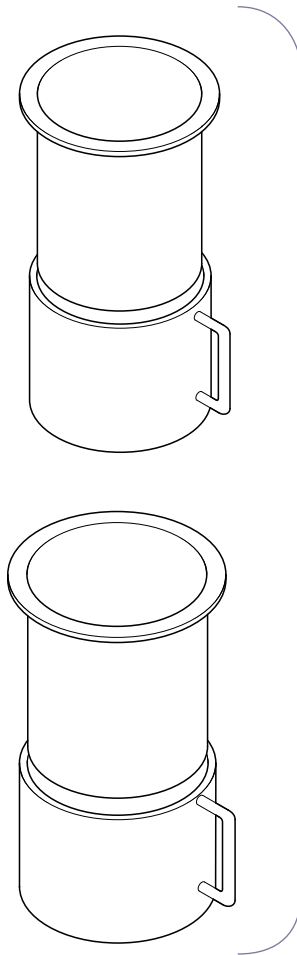
a) DM-AWC001  
b) DM-AWC003

1



2

a) DM-AWC002  
b) DM-AWC004



Item	Description	Qty.
1	Bio-hazardous Grommet w/ Lid Assy.	
	a) 4" .....	1
	b) 6" .....	1
2	Bio-hazardous Grommet w/o Lid Assy.	
	a) 4" .....	1
	b) 6" .....	1

Always Specify Sales, Model & Item Number

MA764000i

**Models:**  
**Build Date:**

**Bio-hazardous Grommet  
Accessories**





**ATTENTION: CUSTOMER SERVICE DEPARTMENT**

**ADDITIONAL COMMENTS:**

**IMPORTANT NOTES:**

- 1) **Use this form for all non-warranty orders only.** Warranty orders must be telephoned in (1-800-643-6275).
- 2) **FAX number to send order to:**  
877-249-1793
- 3) **All emergency orders must be received @ Midmark by 1:00 pm EST.**
- 4) **All underlined headings should be filled in prior to submittal.**

# SERVICE PARTS FAX ORDERING FORM

(Do not tear out this page. Photo copy this page for use only.)



<b>DATE:</b> ___ / ___ / ___	<b>TIME:</b> _____	am pm
<b>METHOD OF SHIPMENT:</b> _____		
<b>PRIORITY:</b> <input type="checkbox"/>	<b>NON-EMERGENCY ORDER</b> {to ship within 72 hours if part(s) are in stock.}	
<input type="checkbox"/>	<b>EMERGENCY ORDER</b> {to ship within 24 hours if part(s) are in stock.} [see note 3]	

<b>DEALER P.O. #:</b> _____
<b>ACCOUNT #:</b> _____

<b>MODEL #:</b> _____	<b>SERIAL #:</b> _____	<b>SALES ORDER #</b> (if applicable) _____
-----------------------	------------------------	---

<b>NAME:</b> _____	<b>SHIP TO:</b> _____ _____ _____ _____
<b>ADDRESS:</b> _____	
<b>CITY:</b> _____ <b>STATE:</b> _____ <b>ZIP:</b> _____	
<b>CONTACT:</b> _____	
<b>PHONE:</b> _____	
<b>FAX #:</b> _____	

LINE #	PART NUMBER	QTY.	DESCRIPTION	COLOR (if applicable)

<b>CREDIT CARD INFORMATION</b>			
CARD TYPE _____	CARD # _____ - _____ - _____	EXP. DATE _____ / _____ / _____	
NAME ON CARD _____	SIGNATURE _____		



Midmark Corporation  
60 Vista Drive  
P.O. Box 286  
Versailles, OH 45380-0286  
937-526-3662  
Fax 937-526-5542  
[www.midmark.com](http://www.midmark.com)



Because we care.