

Release Lever Adjustment

Applies to Models:
425 stools
(w/ air lift cylinder)

Special Tools:
none

Note: *This procedure slides the clamping mechanism higher up on the cylinder shaft.*

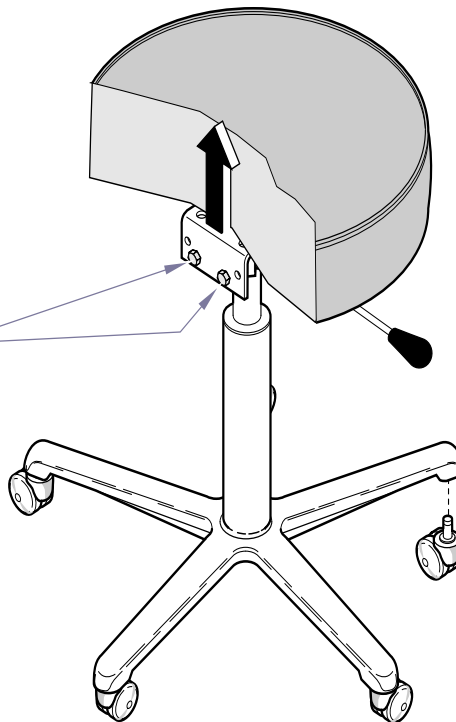
This relieves the pressure on the cylinder release pin until the handle is squeezed.

Step 2: Grasp seat cushion and pull upward slightly.

Step 1: Loosen two clamp bolts.

Clamp Bolts

Step 3: Tighten two clamp bolts.



MA763800i