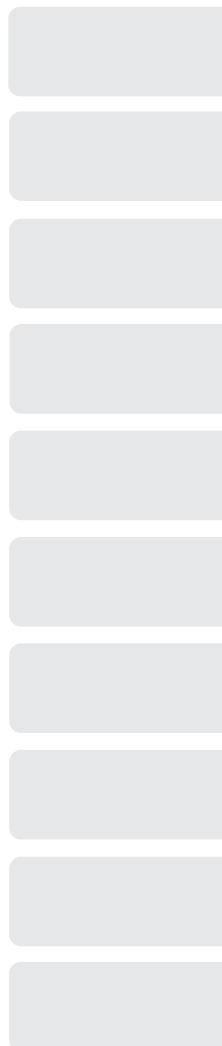


# Ultrasonic Cleaner



Models: M150, M250, M550

## Parts Manual



FOR USE BY MIDMARK  
TRAINED TECHNICIANS ONLY



# TABLE OF CONTENTS

<b>Model Description</b>	<b>Page</b>	<b>Model Description</b>	<b>Page</b>
Introduction .....	6-1	M250 Safety Basket .....	6-10
Sonic Cleaner Repair Parts .....	6-2	M250 Half Basket .....	6-11
M150 Accessory Kit .....	6-3	M550 Safety Basket .....	6-12
M150 Kit w/ Half Basket .....	6-4	M250 Cassette Basket .....	6-13
M250 Accessory Kit .....	6-5	M550 Cassette Basket .....	6-14
M250 Kit w/ Half Basket .....	6-6		
M550 Accessory Kit .....	6-7	COMMENTS .....	7-1
M150 Safety Basket .....	6-8	FAX ORDERING FORM .....	7-2
M150 Half Basket .....	6-9		



## **SECTION VI PARTS LIST**

### **6.1 Introduction**

The illustrated parts list provides information for identifying and ordering the parts necessary to maintain the unit in peak operating condition.

The parts list also illustrates disassembly and assembly relationships of parts.

### **6.2 Description of Columns**

The *Item* column of the parts list gives a component its own unique number. The same number is given to the component in the parts illustration. This allows a part number of a component to be found if the technician can visually spot the part on the illustration. The technician simply finds the component in question on the illustration and notes the item number of that component. Then, he finds that item number in the parts list. The row corresponding to the item number gives the technician the part number, a description of the component, and quantity of parts per subassembly. Also, if a part number is known, the location of that component can be determined by looking for the item number of the component on the illustration.

The *Part No.* column lists the MIDMARK part number for that component.

The *Description* column provides a physical description of the component.

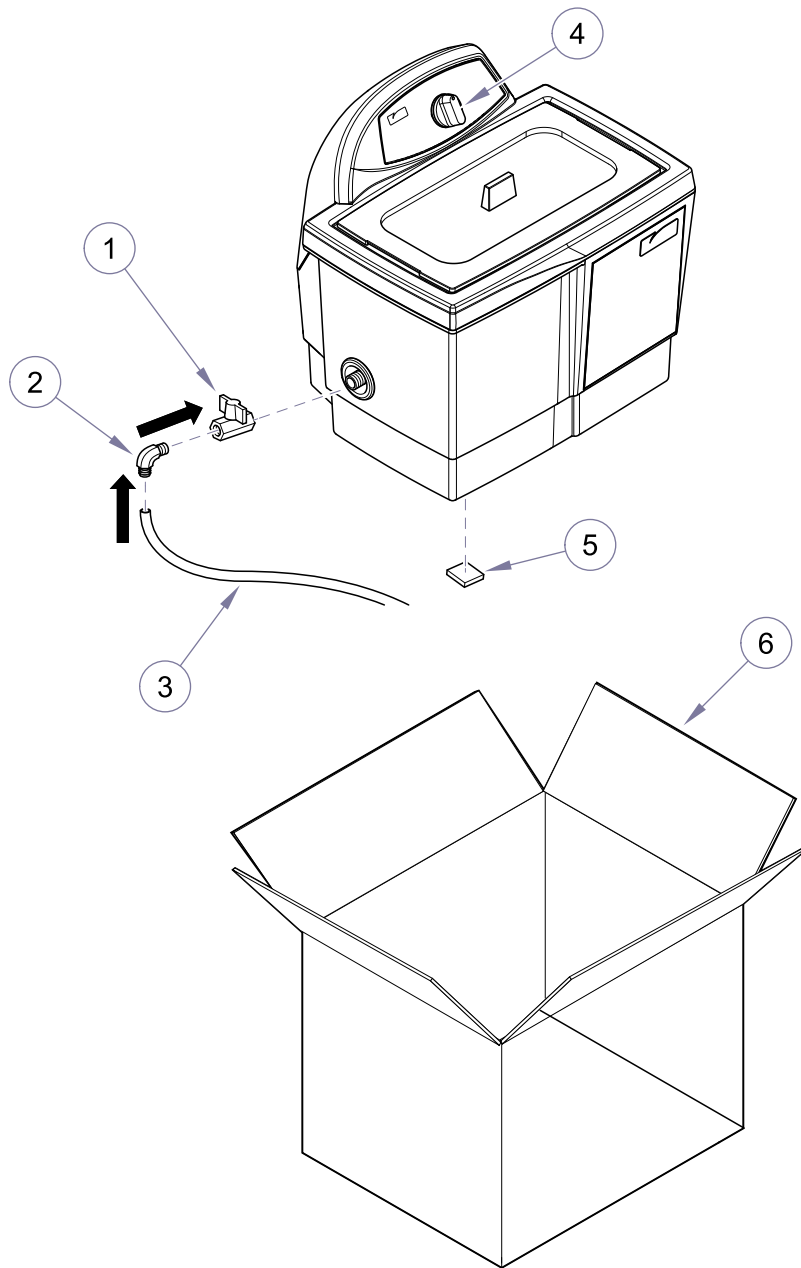
The *Qty.* column lists the number of units of a particular component that is required for the subassembly. The letters "AR" denote "as required" when quantities of a particular component cannot be determined, such as: adhesive.

Bullets { • } in the *Part No.* column and the *Description* column show the indenture level of a component. If a component does not have a bullet, it is a main component of that illustration. If a component has a bullet, it is a subcomponent of the next component listed higher in the parts list than itself that does not have a bullet. Likewise, if a component has two bullets, it is a subcomponent of the next component listed higher in the parts list than itself that has only one bullet.

### **6.3 Torque Specifications and Important Assembly Notes**

When specific assembly torque specifications, measurements, or procedures have been identified, by our engineering department, as required to assure proper function of the unit, those torque specifications measurements, and procedures will be noted on the parts illustrations. Adherence to these requirements is essential.

# Sonic Cleaner Repair Parts

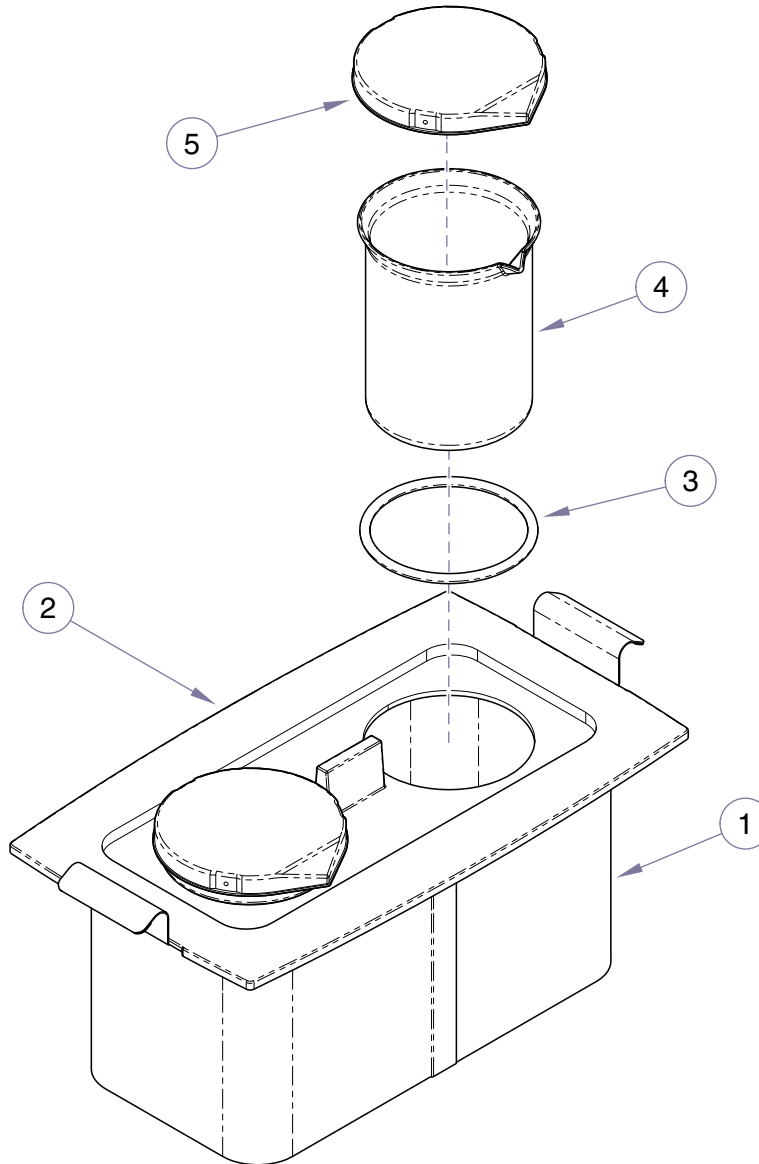


MA7876i

Item	Part No.	Description	Qty.	Item	Part No.	Description	Qty.
1	014-0594-00	Ball Valve (3/8" FPT) .....	1	5	053-1797-00	Foot .....	4
2	014-0595-00	Plastic Elbow (3/8" MPT x 1/2" Barb) .....	1	6	066-0997-00	Carton (Model M150 [16" x 19" x 21"]) .....	1
3	053-1796-00	Clear Drain Hose (36" x 1/2" ID) .....	1		066-0998-00	Carton (Model M250 [19" x 19" x 19"]) .....	1
4	053-1795-00	Timer Knob .....	1		066-0999-00	Carton (Model M550 [25" x 30" x 21"]) .....	1

**Always Specify Model & Serial Number**

# M150 Accessory Kit



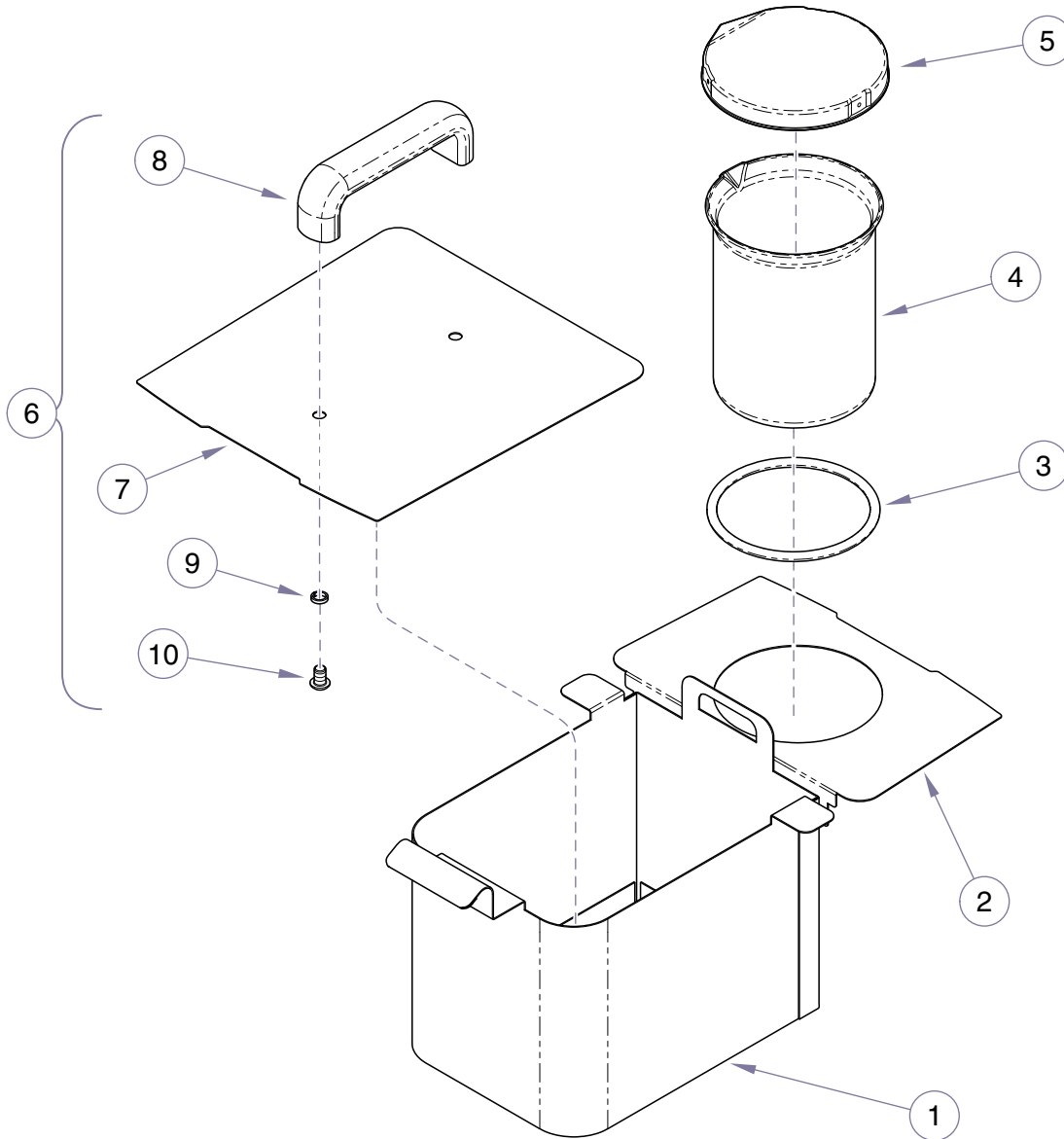
SA118300i

Item	Part No.	Description	Qty.	Item	Part No.	Description	Qty.
	9A285001	M150 Accessory Kit (Includes Items 1 thru 5 plus packaging)	1	3	• 053-1782-00	• Beaker Rubber O-Ring .....	2
1	• <del>030-1646-00</del>	• M150 Safety Basket .....	NSS	4	• 053-1779-00	• Glass Beaker (600ml) .....	2
2	• 053-1780-00	• M150 Plastic Beaker Cover .....	1	5	• 053-1778-00	• Plastic Beaker Cover .....	2

Always Specify Model & Serial Number

NSS = Not Sold Separatly

# M150 Accessory Kit w/ Half Basket



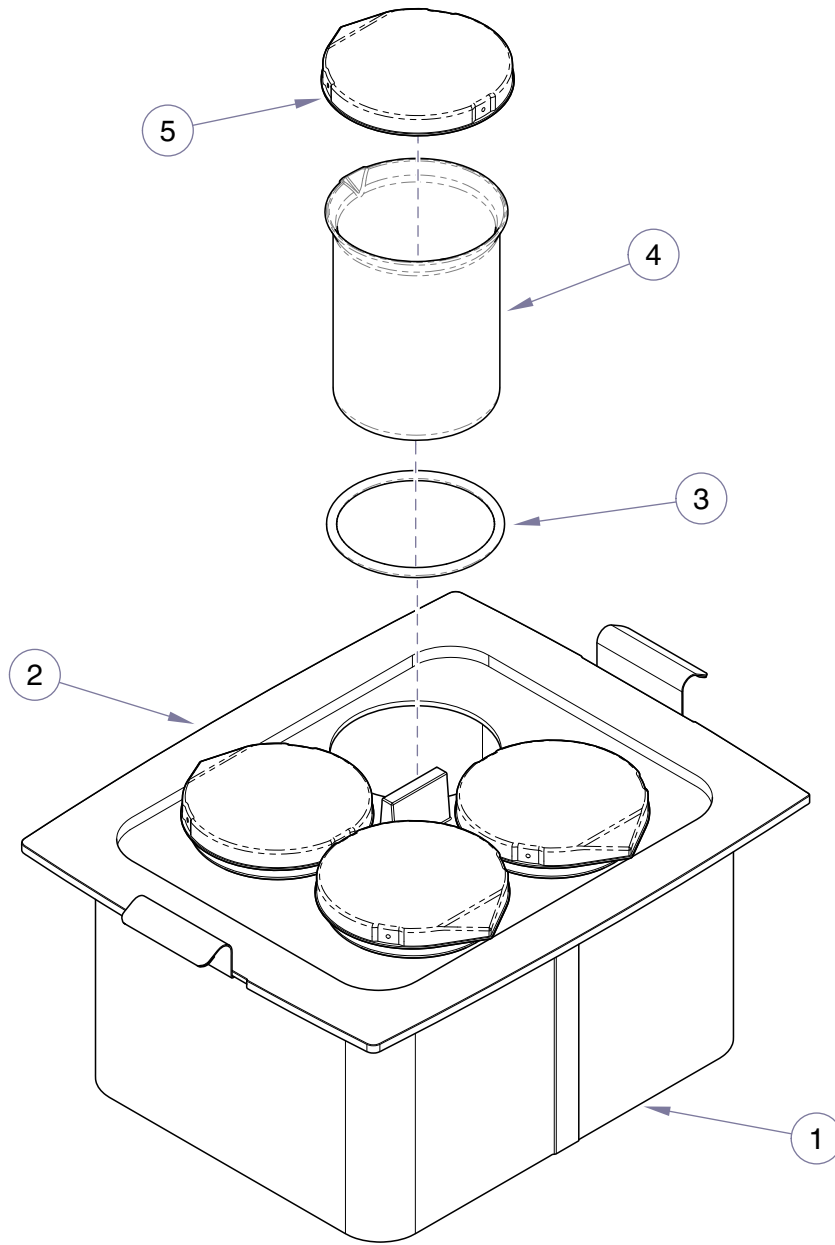
SA118400i

Item	Part No.	Description	Qty.	Item	Part No.	Description	Qty.
	9A286001	M150 Accessory Kit w/ Half Basket (Includes Items 1 thru 6 plus packaging)	1	6	• 029-4086-00	• M150 Half Safety Beaker Cover Assembly (Includes Items 7 thru 10)	1
1	• 030-1655-00	• M150 Half Safety Basket	1	7	•• 050-7018-00	•• M150 Half Safety Basket Cover	1
2	• 050-7017-00	• M150 Half Beaker Cover	1	8	•• 053-1704-00	•• Beaker Cover Handle	1
3	• 053-1782-00	• Beaker Rubber O-Ring	1	9	•• 045-0001-03	•• Lockwasher	2
4	• 053-1779-00	• Glass Beaker (600ml)	1	10	•• 040-0250-14	•• Screw	2
5	• 053-1778-00	• Plastic Beaker Cover	1				

Always Specify Model & Serial Number



# M250 Accessory Kit



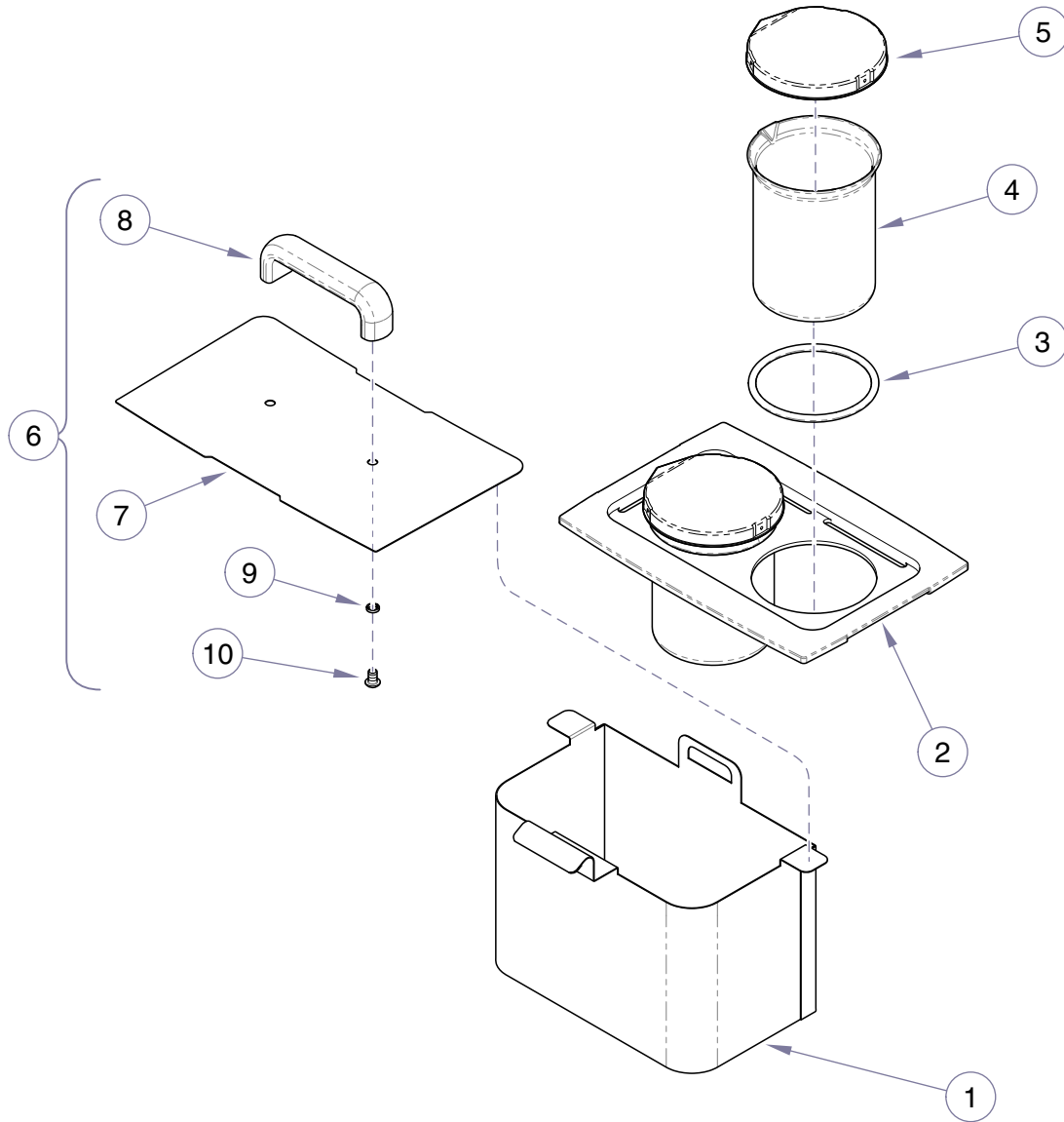
SA118500i

Item	Part No.	Description	Qty.	Item	Part No.	Description	Qty.
	9A287001	M250 Accessory Kit (Includes Items 1 thru 5 plus packaging)	1	3	• 053-1782-00	• Beaker Rubber O-Ring .....	4
1	• 030-1647-00	• M250 Safety Basket .....	NSS	4	• 053-1779-00	• Glass Beaker (600ml) .....	4
2	• 053-1781-00	• M250 Plastic Beaker Cover .....	1	5	• 053-1778-00	• Plastic Beaker Cover .....	4

**Always Specify Model & Serial Number**

NSS = Not Sold Separatly

# M250 Accessory Kit w/ Half Basket

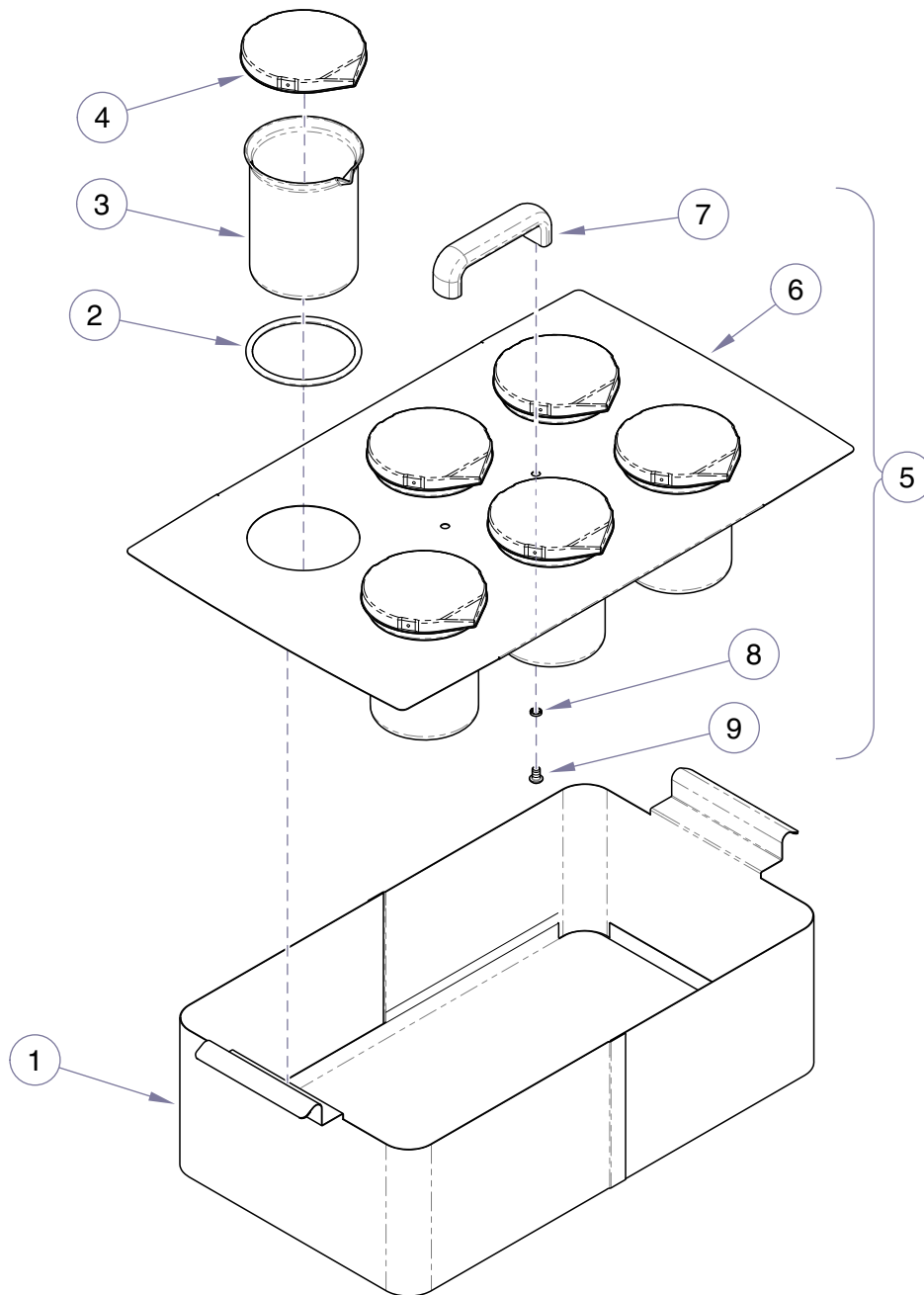


SA118600i

Item	Part No.	Description	Qty.	Item	Part No.	Description	Qty.
	9A288001	M250 Accessory Kit w/ Half Basket (Includes Items 1 thru 5 plus packaging)	1	6	• 029-4118-00	• M250 Half Safety Beaker Cover Assembly (Includes Items 7 thru 10)	1
1	• 030-1654-00	• M250 Half Safety Basket	1	7	•• 050-7050-00	•• M250 Half Safety Beaker Cover	1
2	• 053-1789-00	• M250 Plastic Half Beaker Cover	1	8	•• 053-1704-00	•• Beaker Cover Handle	1
3	• 053-1782-00	• Beaker Rubber O-Ring	2	9	•• 045-0001-03	•• Lockwasher	2
4	• 053-1779-00	• Glass Beaker (600ml)	2	10	•• 040-0250-14	•• Screw	2
5	• 053-1778-00	• Plastic Beaker Cover	2				

Always Specify Model & Serial Number

# M550 Accessory Kit



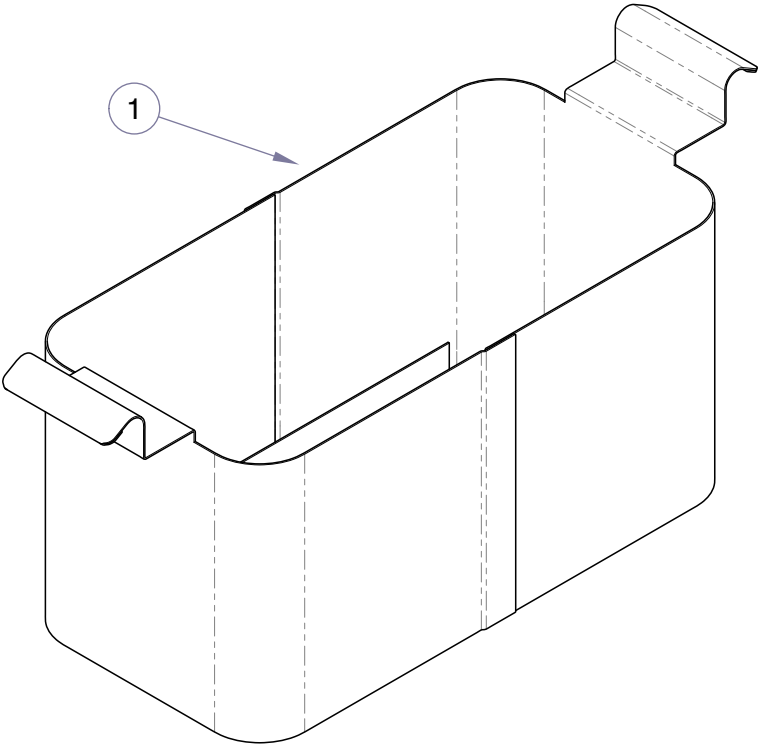
SA118700i

Item	Part No.	Description	Qty.	Item	Part No.	Description	Qty.
	9A289001	M550 Accessory Kit (Includes Items 1 thru 5 plus packaging)	1	5	• 029-4087-00	• M550 Beaker Cover Assembly (Includes Items 6 thru 9)	1
1	• 030-1648-00	• M550 Safety Basket	NSS	6	•• 050-6884-00	•• M550 Beaker Cover	1
2	• 053-1782-00	• Beaker Rubber O-Ring	6	7	•• 053-1704-00	•• Beaker Cover Handle	1
3	• 053-1779-00	• Glass Beaker (600ml)	6	8	•• 045-0001-03	•• Lockwasher	2
4	• 053-1778-00	• Plastic Beaker Cover	6	9	•• 040-0250-14	•• Screw	2

Always Specify Model & Serial Number

NSS = Not Sold Separately

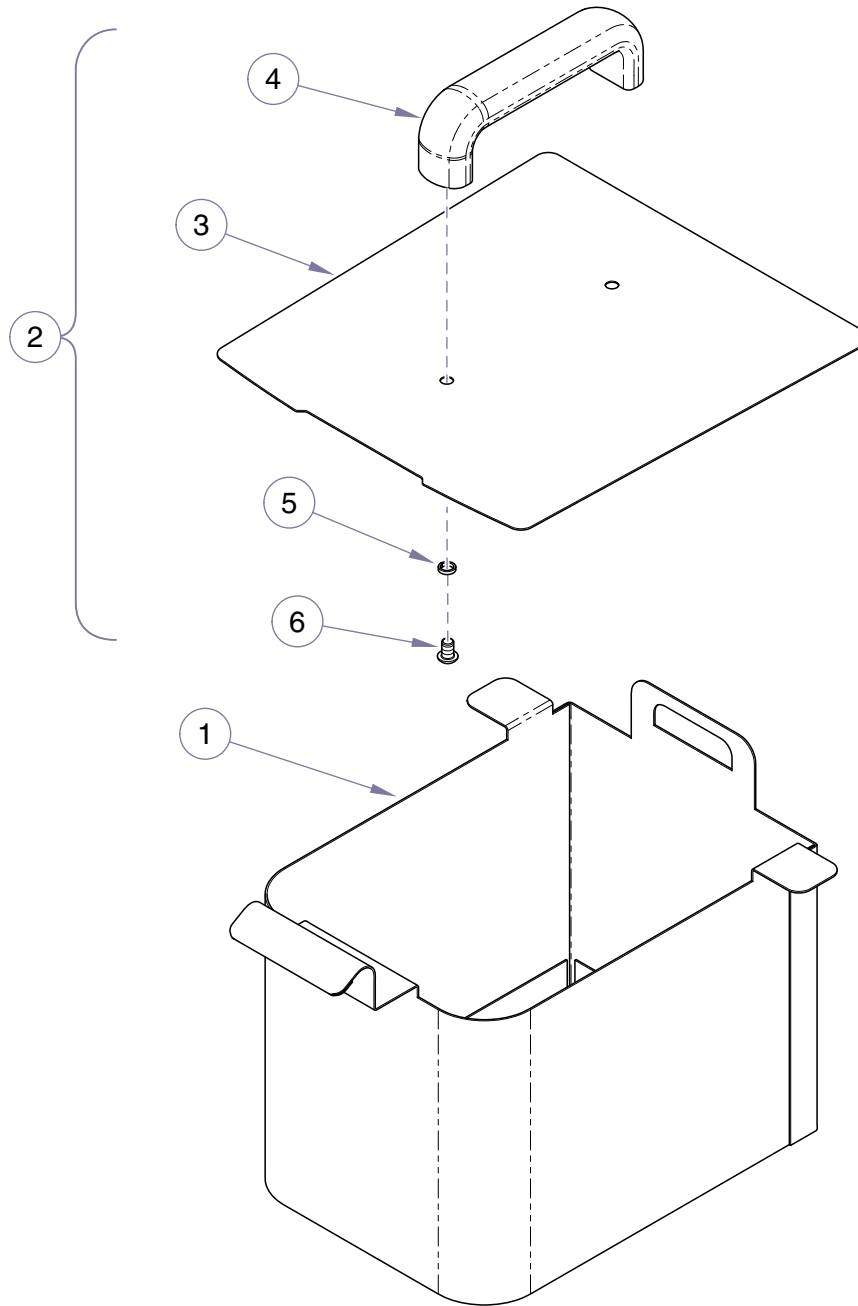
# M150 Safety Basket



SA118800i

Item	Part No.	Description	Qty.	Item	Part No.	Description	Qty.
	9A290001	M150 Safety Basket (Includes Items 1 plus packaging) .....	1	1	• 030-1646-00	• M150 Safety Basket .....	NSS
<b>Always Specify Model &amp; Serial Number</b>				NSS = Not Sold Separatly			

# M150 Half Basket

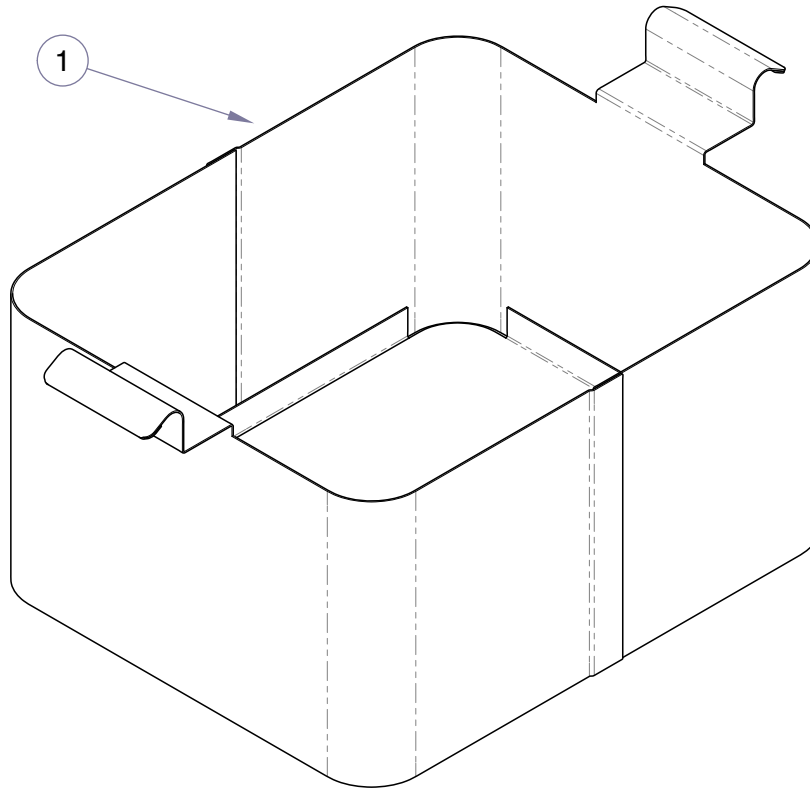


SA118900i

Item	Part No.	Description	Qty.	Item	Part No.	Description	Qty.
	9A291001	M150 Half Basket (Includes Items 1-6 plus packaging) .....	1	3	••050-7050-00	•• M150 Half Safety Basket Cover .....	1
1	•030-1655-00	• M150 Half Safety Basket .....	1	4	••053-1704-00	•• Beaker Cover Handle .....	1
2	•029-4118-00	• M150 Half Safety Beaker Cover Assembly (Includes Items 3-6) .....	1	5	••045-0001-03	•• Lockwasher .....	2
				6	••040-0250-14	•• Screw .....	2

Always Specify Model & Serial Number

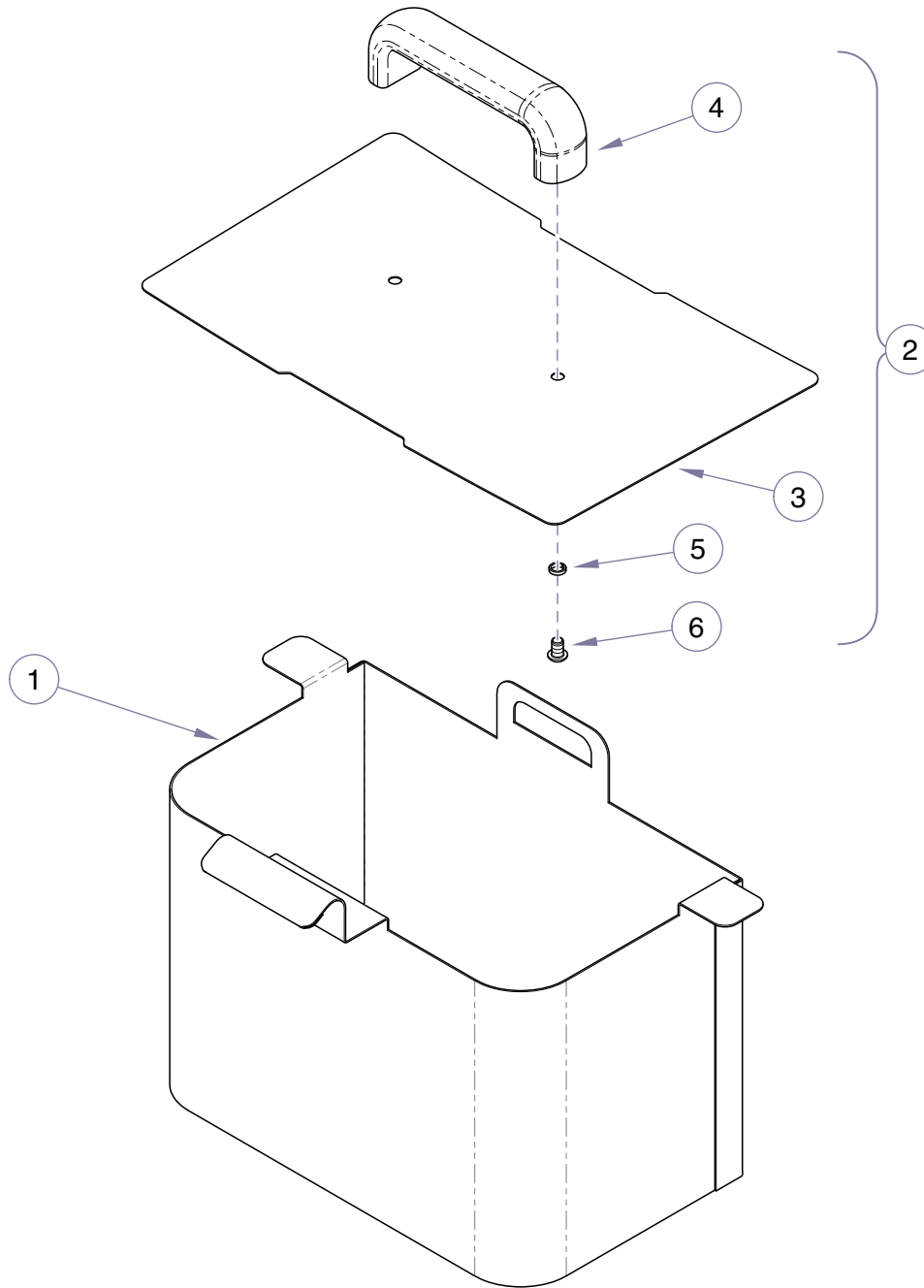
# M250 Safety Basket



SA119000i

Item	Part No.	Description	Qty.	Item	Part No.	Description	Qty.
	9A292001	M250 Safety Basket (Includes Items 1 plus packaging) .....	1	1	• <del>030-1647-00</del>	• M250 Safety Basket .....	NSS
<b>Always Specify Model &amp; Serial Number</b>				NSS = Not Sold Separatly			

# M250 Half Basket

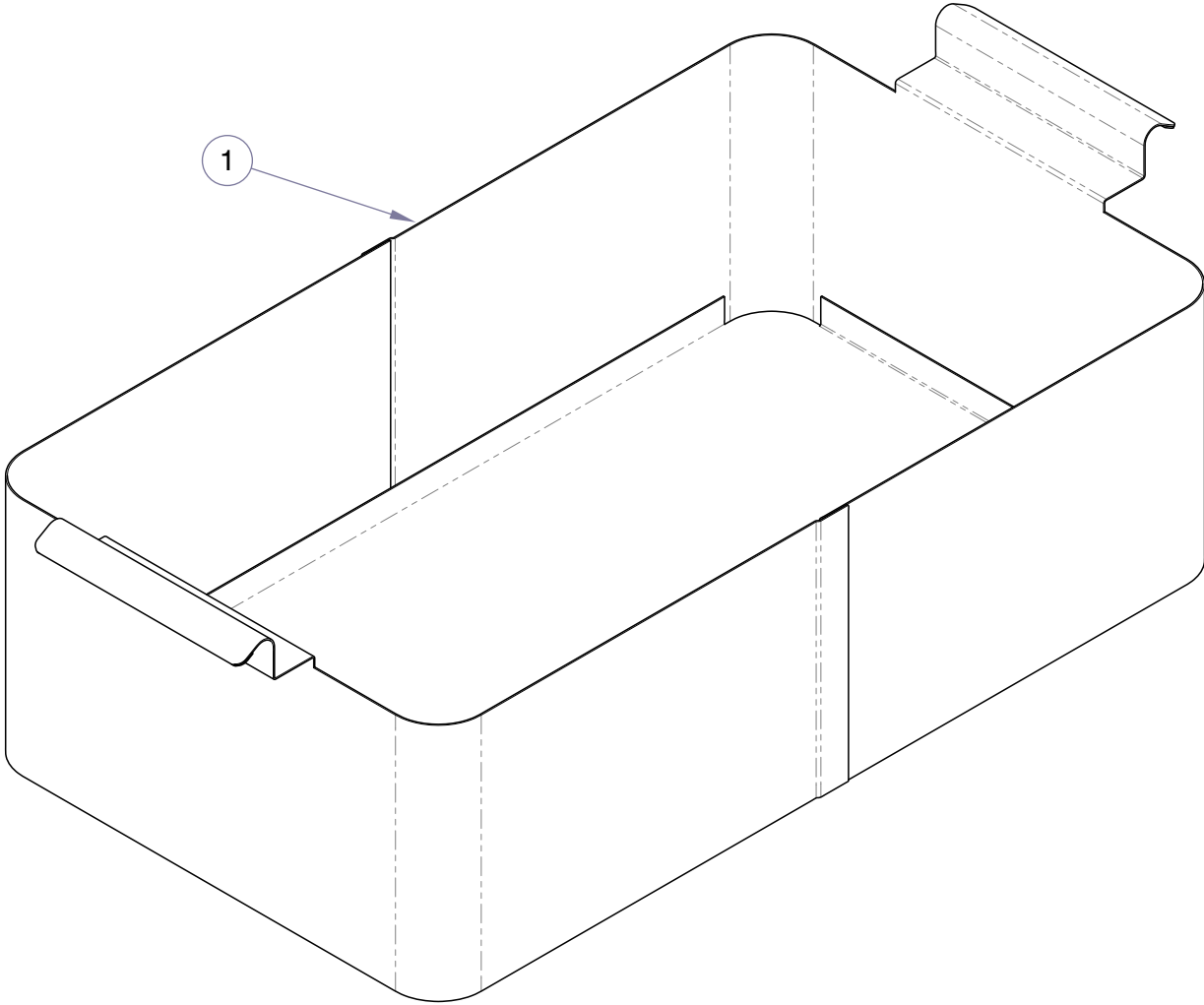


SA119100i

Item	Part No.	Description	Qty.	Item	Part No.	Description	Qty.
	9A293001	M250 Half Basket (Includes Items 1-6 plus packaging) .....	1	3	•• 050-7050-00	•• M250 Half Safety Basket Cover .....	1
1	• 030-1654-00	• M250 Safety Basket .....	1	4	•• 053-1704-00	•• Beaker Cover Handle .....	1
2	• 029-4118-00	• M250 Half Safety Beaker Cover Assembly (Includes Items 3-6) .....	1	5	•• 045-0001-03	•• Lockwasher .....	2
				6	•• 040-0250-14	•• Screw .....	2

Always Specify Model & Serial Number

# M550 Safety Basket

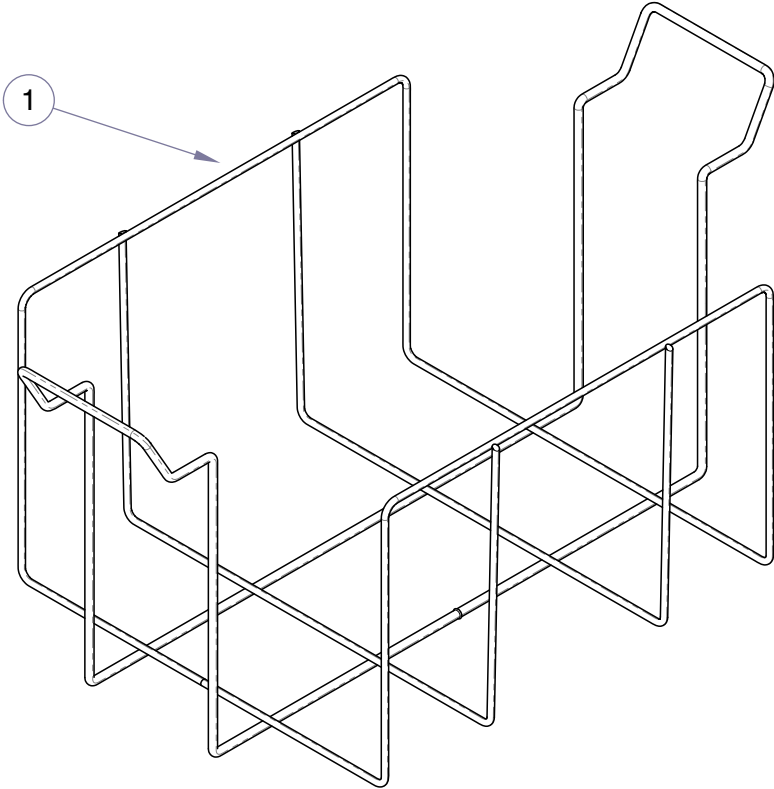


SA119200i

Item	Part No.	Description	Qty.	Item	Part No.	Description	Qty.
	9A294001	M550 Safety Basket (Includes Items 1 plus packaging) .....	1	1	<del>030-1648-00</del>	• M550 Safety Basket .....	NSS
<b>Always Specify Model &amp; Serial Number</b>				NSS = Not Sold Separatly			



# M250 Cassette Basket

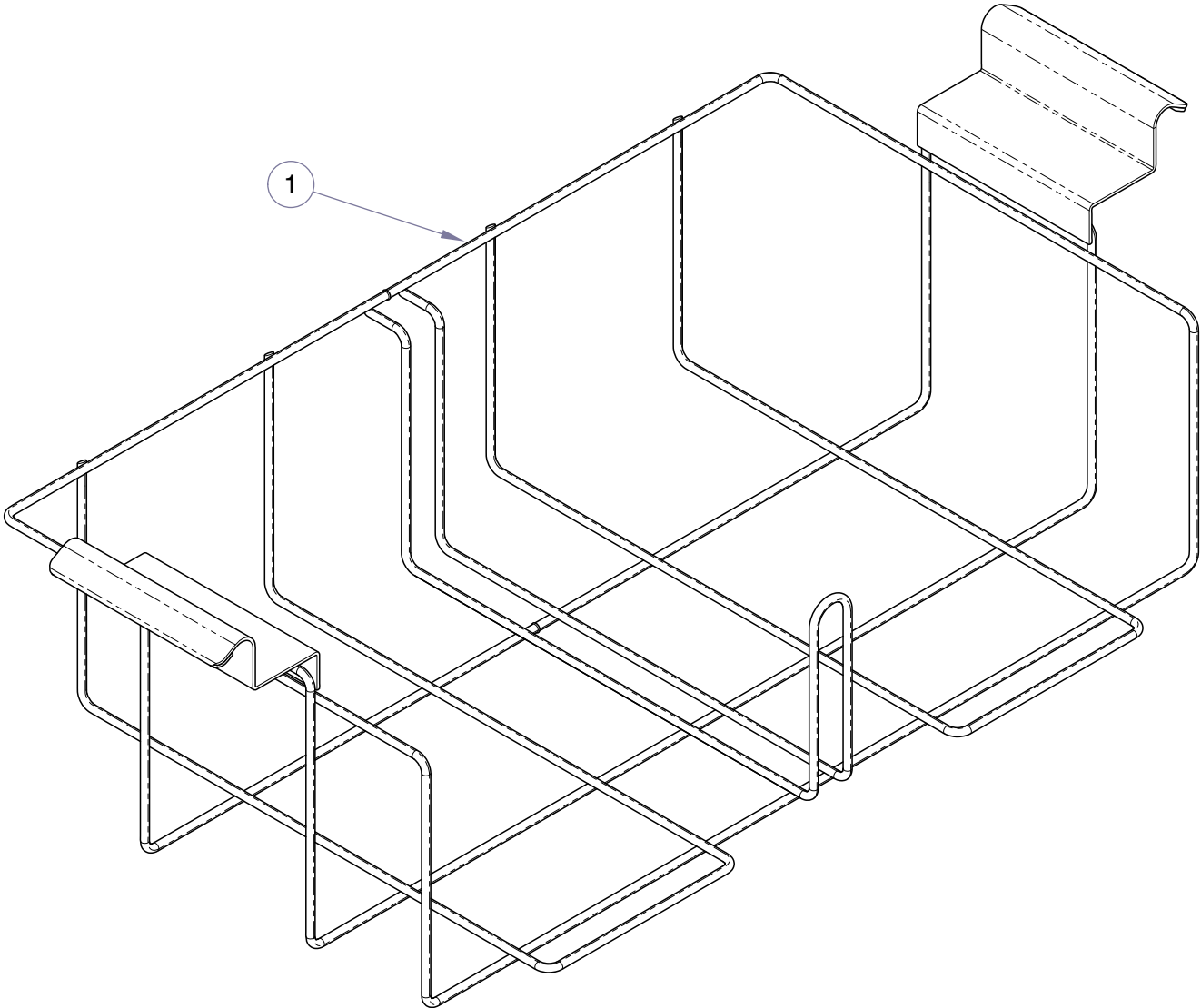


SA119300i

Item	Part No.	Description	Qty.	Item	Part No.	Description	Qty.
	9A295001	M250 Cassette Rack Accessory (Includes Items 1 plus packaging) .....	1	1	• 030-1651-00	• M250 Cassette Rack .....	1

**Always Specify Model & Serial Number**

# M550 Cassette Basket



Item	Part No.	Description	Qty.	Item	Part No.	Description	Qty.
	9A407001	M550 Cassette Rack Accessory (Includes Items 1 plus packaging) .....	1	1	• 030-1657-00	• M550 Cassette Rack .....	1

**Always Specify Model & Serial Number**

SA1793i

## COMMENTS

The Technical Publications Department of Midmark Corporation takes pride in its publications. We are sure that our manuals will fill all of your needs when you are performing scheduled maintenance, servicing, or repairs on a Midmark product.

However, if you find any errors or feel that there should be a change, addition, or deletion to a manual, please let us know!

**Page(s) and Paragraph(s) Needing Changed:**

**Description of Error or Desired Change:**

Please fax or mail a copy of this completed comment sheet to:

Midmark Corporation  
ATTN: Technical Publications Department  
60 Vista Drive  
Versailles, Ohio 45380  
Fax: (937) 526-5542





Midmark Corporation  
60 Vista Drive  
P.O. Box 286  
Versailles, Ohio 45380-0286  
937-526-3662  
Fax 937-526-5542  
midmark.com



Because we care.

Subject To Change Without Notice