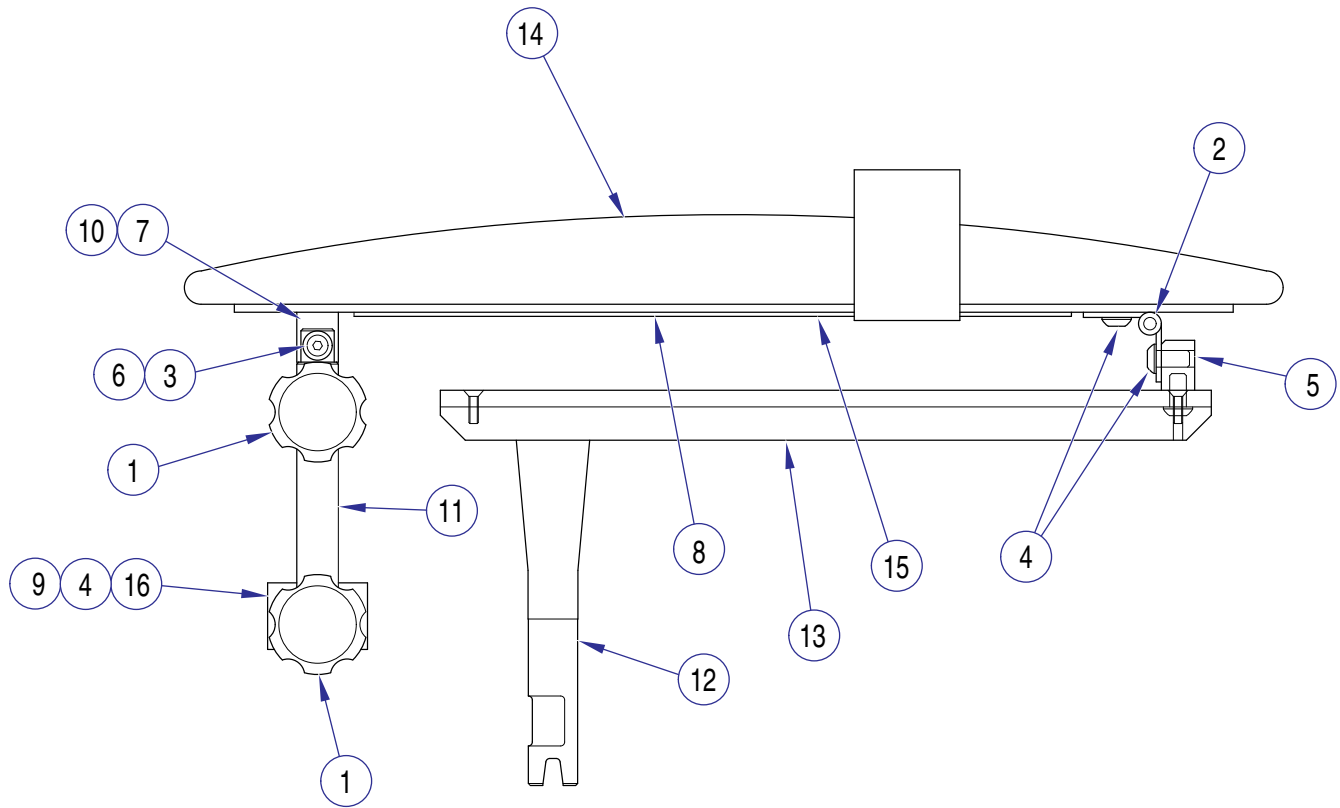


IV Armboard

Note: This model uses Sterling Grey painted components



MA613300i

Item	Part No.	Description	Qty.	UPHOLSTERY COLOR CODES (replaces -xxx)
	152565	IV Armboard		
		(includes items 1 thru 17)	1	<u>VACU-FORM</u>
1	• 117366	• Knob (use adhesive #042-0024-00)	2	Ash
2	• 118249-2	• Legrest Hinge	1	Cobalt
3	• 120611-2	• Shoulder Screw	1	Dusty Jade
4	• 120950	• Screw	6	Slate Grey
5	• 121839-1	• Toe Block	1	Dusty Rose
6	• 121840-2	• Armboard Rod	1	Dk. Wedgewood
7	• 121850	• Screw (use adhesive #042-0024-00) ...	2	Iris Blue
8	• 121847-1	• Bottom Cover	1	Grey
9	• 121848-1	• Mounting Block	1	Mauve
10	• 121845-1	• Mounting Bracket	1	Nile Green
11	• 121853-1	• Strut	1	Purple Grey
12	• 152558-1	• Post Assembly	1	Royal Lavender
13	• 152563	• Slide Assembly	1	Sage
14	• +152564xxx	• Upholstery	1	Sand Grey
15	• 177723	• Velcro (loop - female)	[.011]	Taupe
16	• 275184	• Foam Tape	[-.25]	Terra Rosa
17	• 152562	• Arm Band	1	Lt. Wedgewood

Always Specify Model & Serial Number