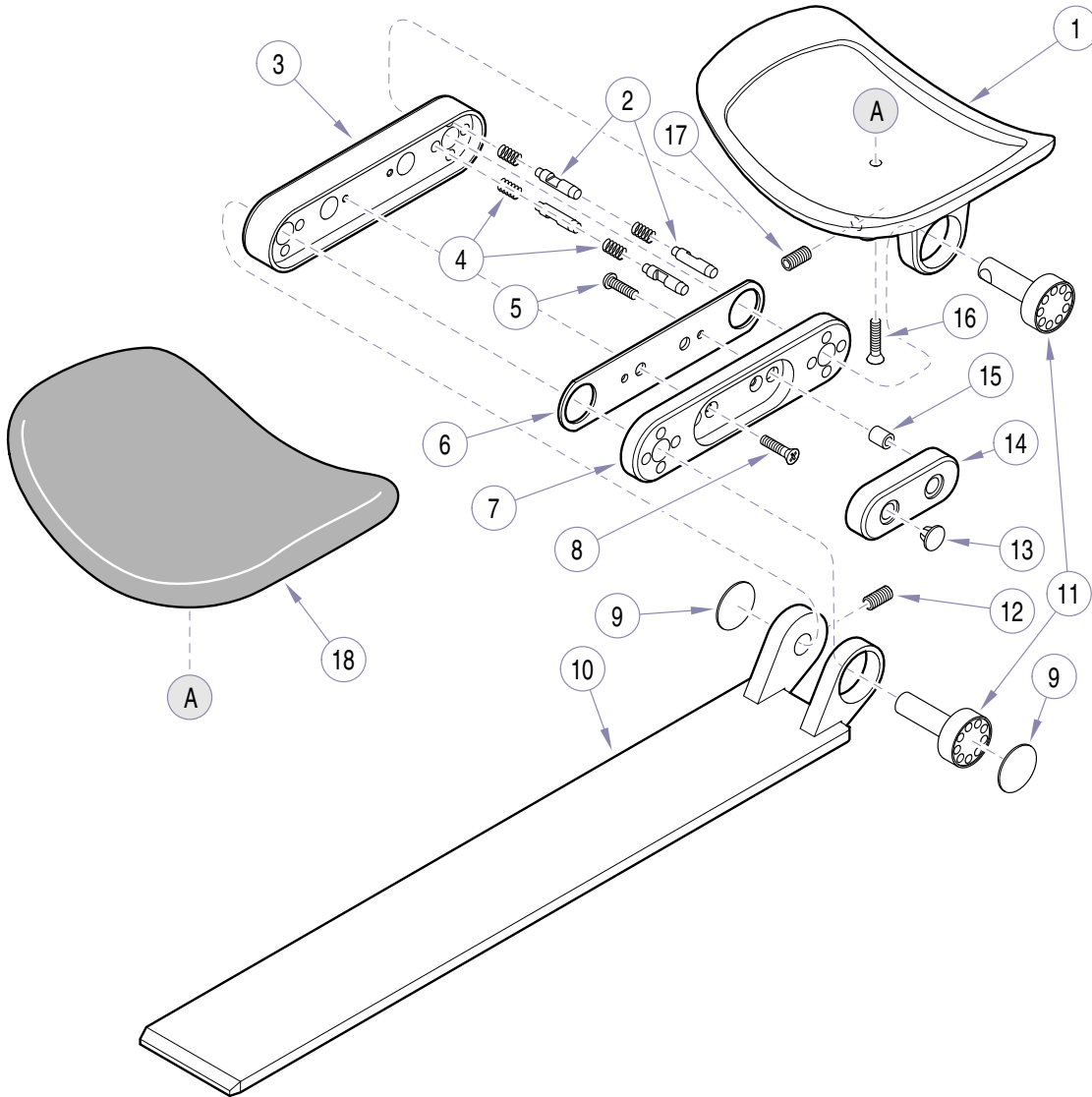


Double Articulating Headrest

Note: This model uses Sterling Grey painted components

Order 
 Medical and
 Animal Health
 Parts Online



MA543500

Item	Part No.	Description	Qty.	Item	Part No.	Description	Qty.
	152634xxx	Dbi Art. Headrest (w/Vacu-Form uph.)					
		(includes items 1 thru 18)	1	10	• 152905-1	• Tang Assembly	1
	152634xxx	Dbi Art. Headrest (w/Plush uph.)		11	• 122772-3	• Pivot Pin	2
		(includes items 1 thru 18)	1	12	• 122778	• Set Screw	1
1	• 121911-1	• Headrest Housing	1	13	• 121968-1	• Plug	2
2	• 121918-3	• Stop Pin	8	14	• 121915-1	• Button	1
3	• 121913-1	• Spring Housing	1	15	• 122065-2	• Spacer	2
4	• 103314	• Spring	8	16	• 122089-1	• Screw	1
5	• 122097	• Screw	2	17	• 121488	• Set Screw	1
6	• 121917-2	• Release Plate	1	18	• 154032xxx	• Headrest Upholstery (Vacu-Form)	1
7	• 121912-1	• Pin Housing	1		• 154047xx	• Headrest Upholstery (Plush)	1
8	• 122096	• Screw	2				
9	• 121945	• Decorative Disc	4				

Always Specify Model & Serial Number