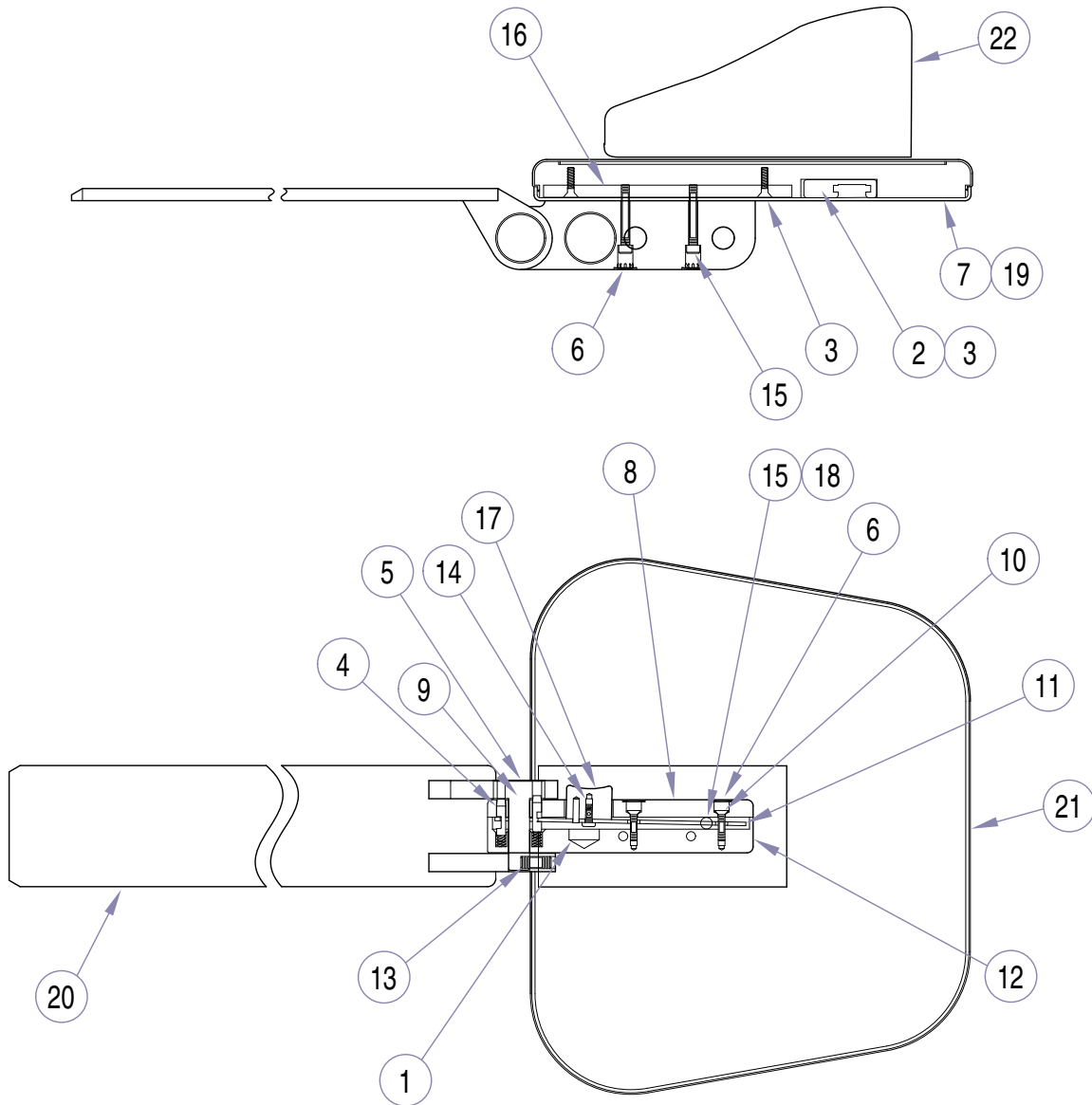


Single Articulating Headrest

Note: This model uses Sterling Grey painted components

Order 
Medical and
Animal Health
Parts Online



MA613400i

Item	Part No.	Description	Qty.	Item	Part No.	Description	Qty.
	153199	Single Art. Headrest - specify color		12	• 122777-1	• Spring Housing	1
		(includes items 1 thru 20)	1	13	• 122778	• Screw (use adhesive #042-0024-00) ...	1
1	• 103314	• Spring	4	14	• 122784	• Screw	1
2	• 121493-1	• Headrest Receptacle	1	15	• 122775	• Release Plate Rocker	2
3	• 121784	• Screw	6	16	• 122805-1	• Mounting Plate	1
4	• 121918-3	• Stop Pin	4	17	• 153258-1	• Push Button Assembly	1
5	• 121945	• Decorative Disc	2	18	• 185171	• Lubricant	AR
6	• 121968-1	• Plug	4	19	• 275184	• Foam Tape	AR
7	• 122677	• Back Cover	1	20	• 153249-1	• Tang Weldment	1
8	• 122757-1	• Pin Housing	1	21	154090-xxx	Headrest Board (vacu-form)	1
9	• 122772-3	• Pivot Pin	1		154092-xxx	Headrest Board (plush)	1
10	• 122096	• Screw	2	22	154089-xxx	Magnetic Cushion (vacu-form)	1
11	• 122776-2	• Release Plate	1		154091-xxx	Magnetic Cushion (plush)	1

Always Specify Model & Serial Number