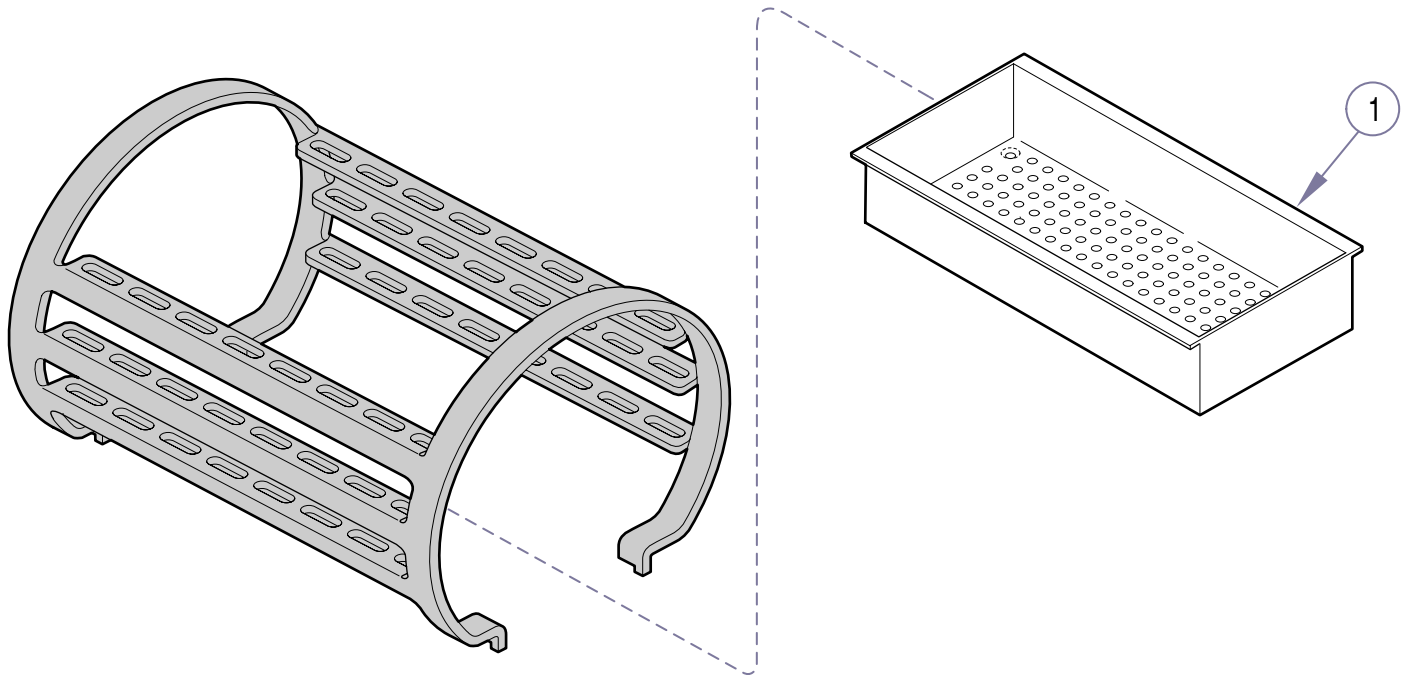


Deep Tray Assembly (M11)



MA604500i

**Used on sterilizers with the serial number prefix;
FP, FR, FS, FT, GB, GC and GD**

Item	Part No.	Description	Qty.	Item	Part No.	Description	Qty.
	9A225001	M11 Sterilizer Deep Tray (Includes Items 1 plus packaging)	1	1	•050-3552-00	• M11 Deep Tray	1

Always Specify Model & Serial Number