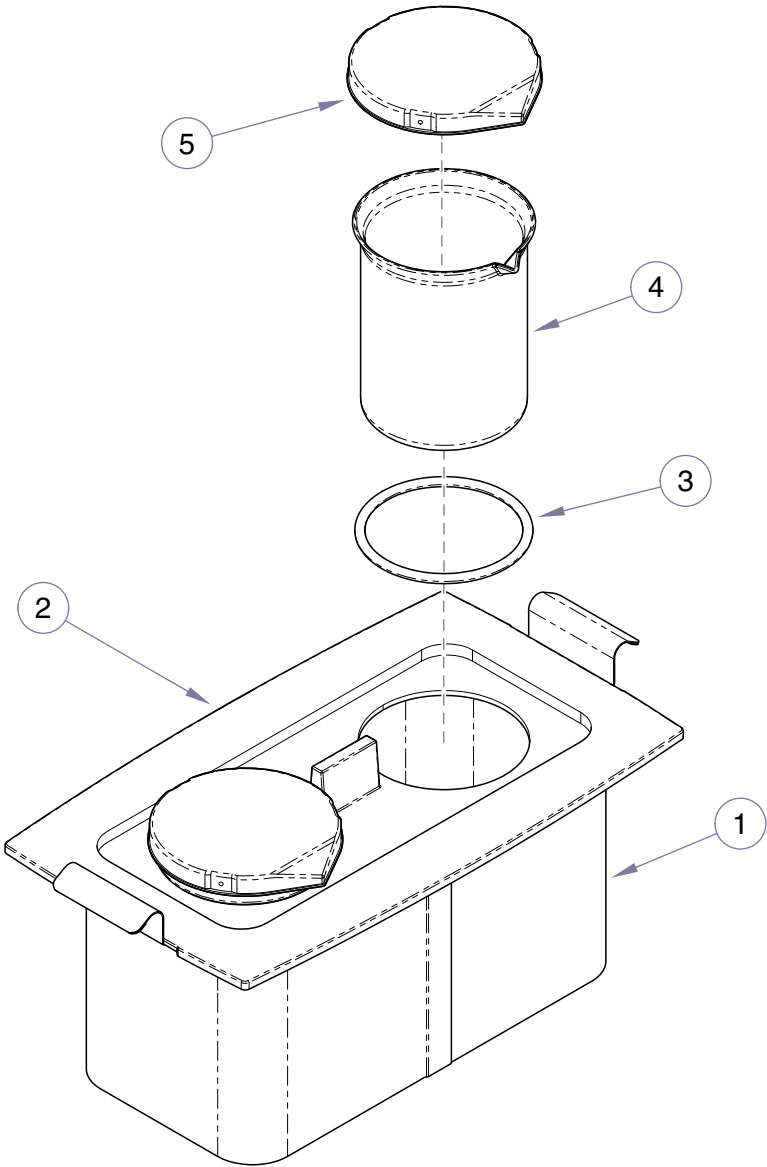


M150 Accessory Kit

Order 
 Medical and
 Animal Health
 Parts Online



SA118300i

Item	Part No.	Description	Qty.	Item	Part No.	Description	Qty.
	9A285001	M150 Accessory Kit (Includes Items 1 thru 5 plus packaging)	1	3	• 053-1782-00	• Beaker Rubber O-Ring	2
1	• 030-1646-00	• M150 Safety Basket	1	4	• 053-1779-00	• Glass Beaker (600ml)	2
2	• 053-1780-00	• M150 Plastic Beaker Cover	1	5	• 053-1778-00	• Plastic Beaker Cover	2

Always Specify Model & Serial Number