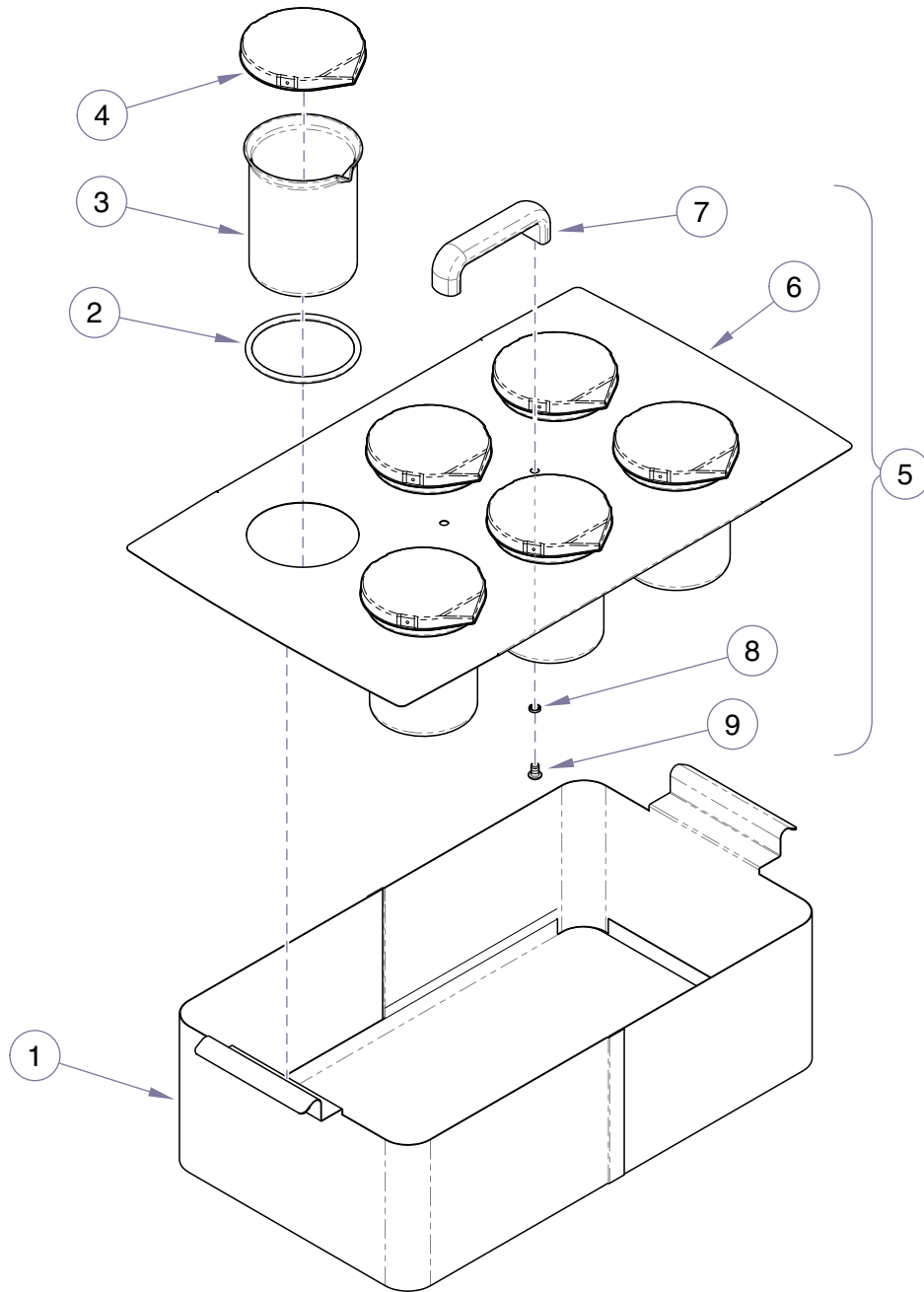


M550 Accessory Kit

Order 
 Medical and
 Animal Health
 Parts Online



SA118700i

Item	Part No.	Description	Qty.	Item	Part No.	Description	Qty.
	9A289001	M550 Accessory Kit (Includes Items 1 thru 5 plus packaging)	1	5	• 029-4087-00	• M550 Beaker Cover Assembly (Includes Items 6 thru 9)	1
1	• 030-1648-00	• M550 Safety Basket	1	6	•• 050-6884-00	•• M550 Beaker Cover	1
2	• 053-1782-00	• Beaker Rubber O-Ring	6	7	•• 053-1704-00	•• Beaker Cover Handle	1
3	• 053-1779-00	• Glass Beaker (600ml)	6	8	•• 045-0001-03	•• Lockwasher	2
4	• 053-1778-00	• Plastic Beaker Cover	6	9	•• 040-0250-14	•• Screw	2

Always Specify Model & Serial Number