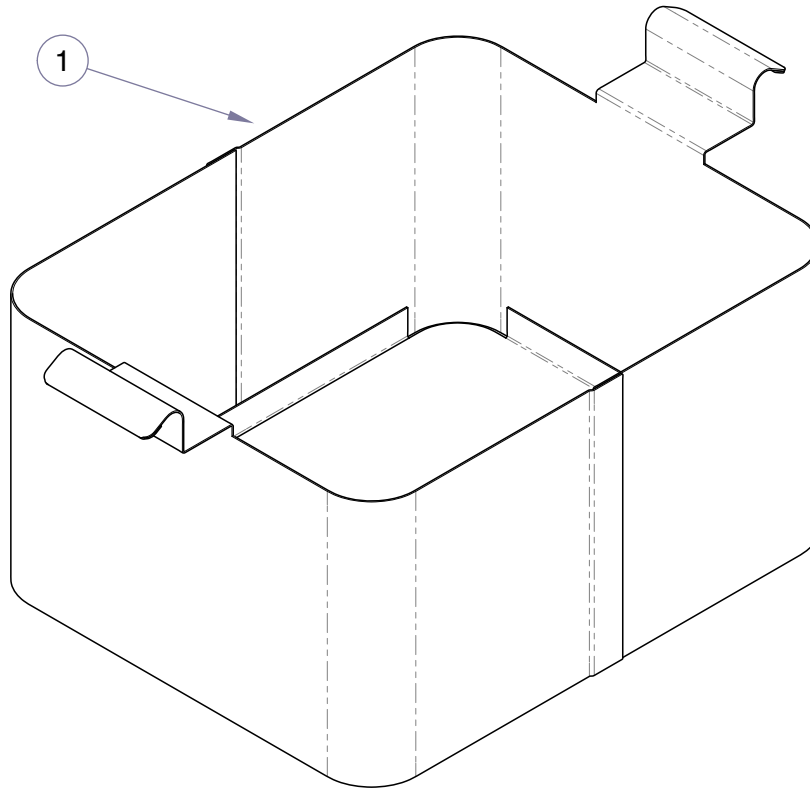


M250 Safety Basket

Order 
 Medical and
 Animal Health
 Parts Online



SA119000i

Item	Part No.	Description	Qty.	Item	Part No.	Description	Qty.
	9A292001	M250 Safety Basket (Includes Items 1 plus packaging)	1	1	• 030-1647-00	• M250 Safety Basket	1

Always Specify Model & Serial Number