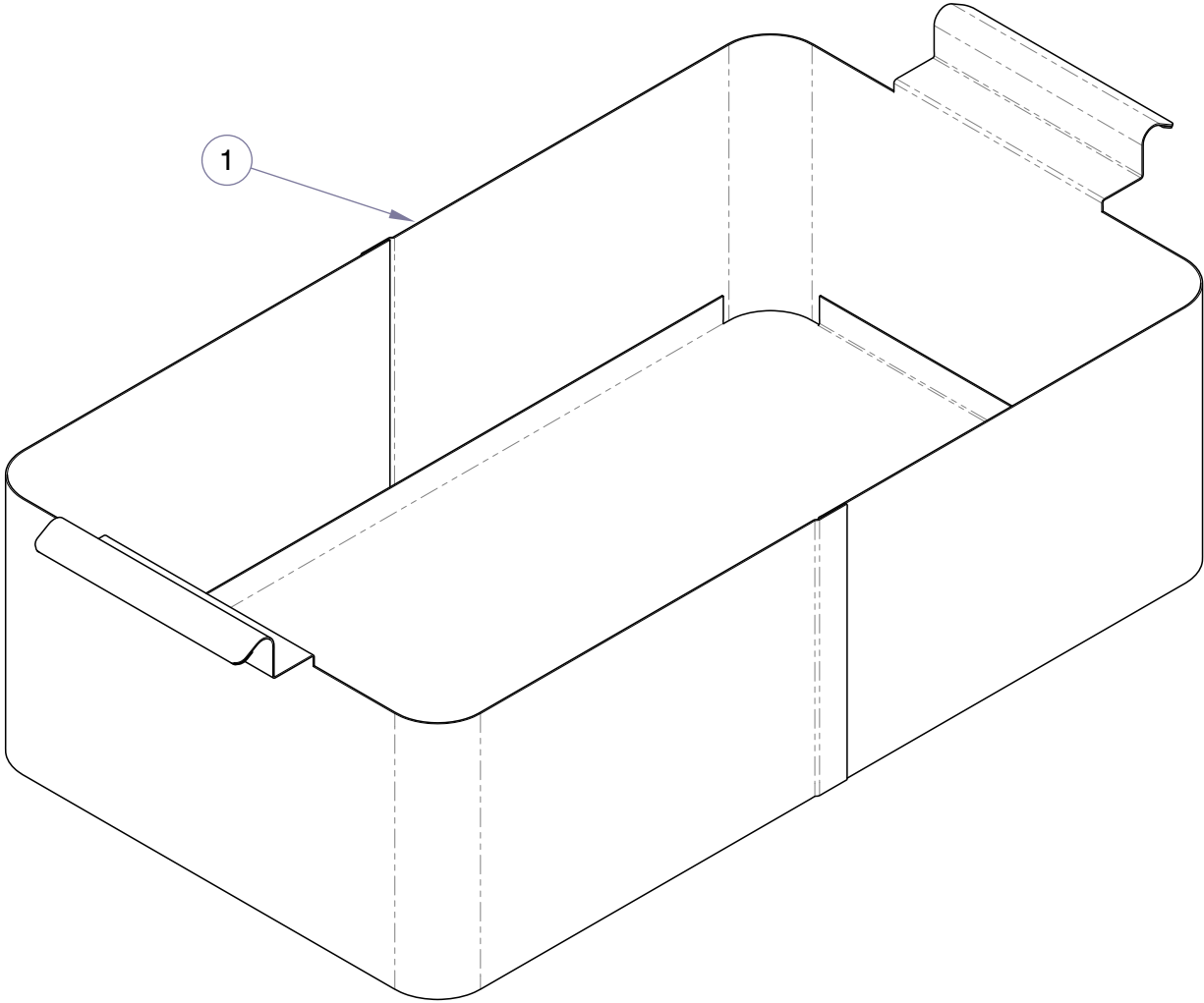


# M550 Safety Basket

Order   
 Medical and  
 Animal Health  
 Parts Online



SA119200i

Item	Part No.	Description	Qty.	Item	Part No.	Description	Qty.
	9A294001	M550 Safety Basket (Includes Items 1 plus packaging) .....	1	1	• 030-1648-00	• M550 Safety Basket .....	1

**Always Specify Model & Serial Number**