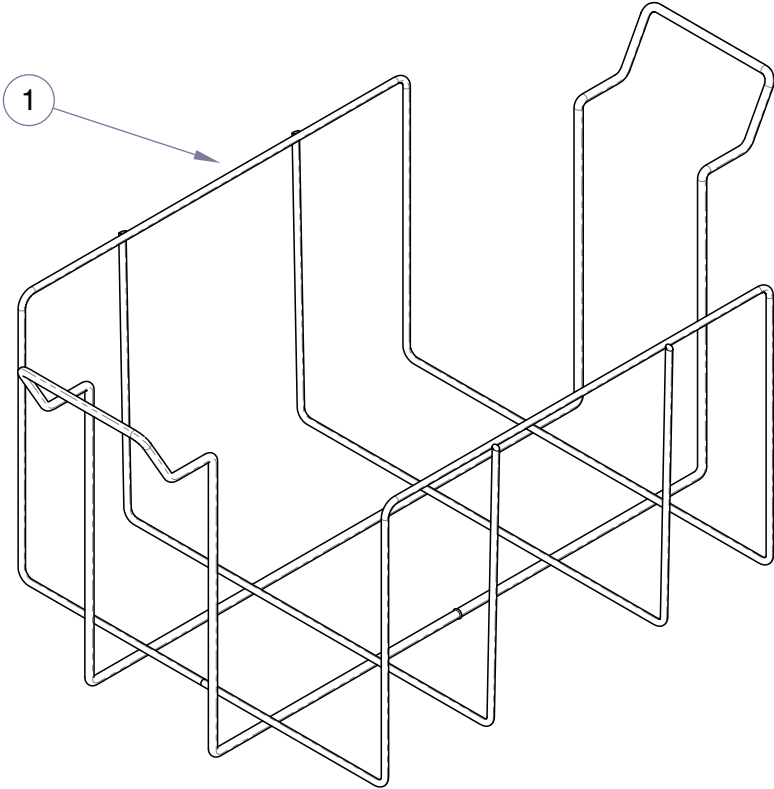


M250 Cassette Basket

Order 
 Medical and
 Animal Health
 Parts Online



SA119300i

Item	Part No.	Description	Qty.	Item	Part No.	Description	Qty.
	9A295001	M250 Cassette Rack Accessory (Includes Items 1 plus packaging)	1	1	• 030-1651-00	• M250 Cassette Rack	1

Always Specify Model & Serial Number