



Upholstered Top / Base Dimensions

Model	Page
204	1
604	2
222 / 223	3
224 / 225	4
230	5
244	6
622 / 623	7
625	8
626	9
627	10
630	11
641	14
646 / 647	15

Note

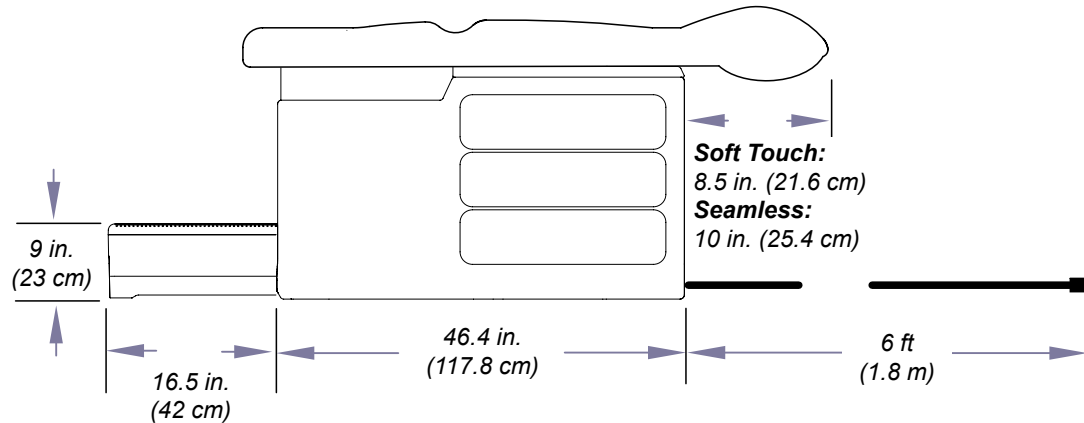
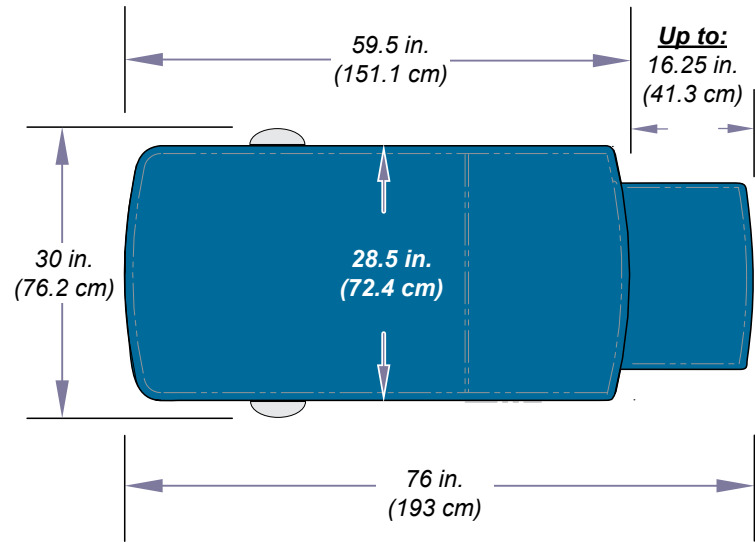
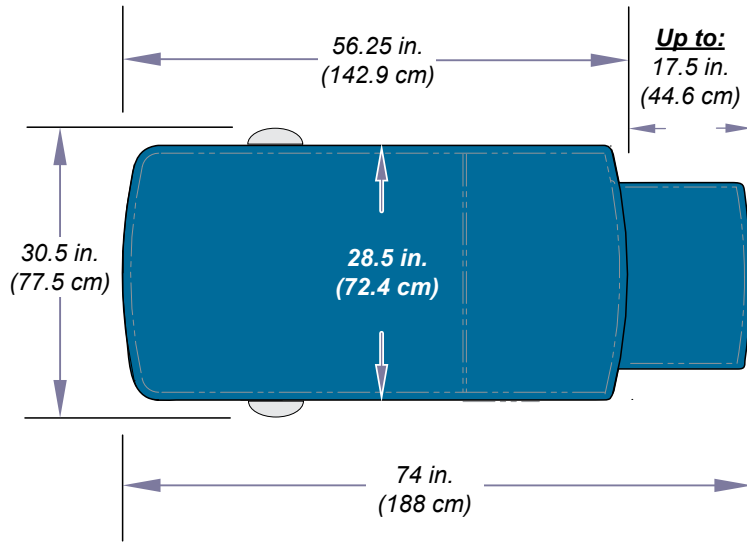
This document is intended to provide reference information when performing the following actions:

- determining proper table position in exam room
- locating / installing facility receptacles

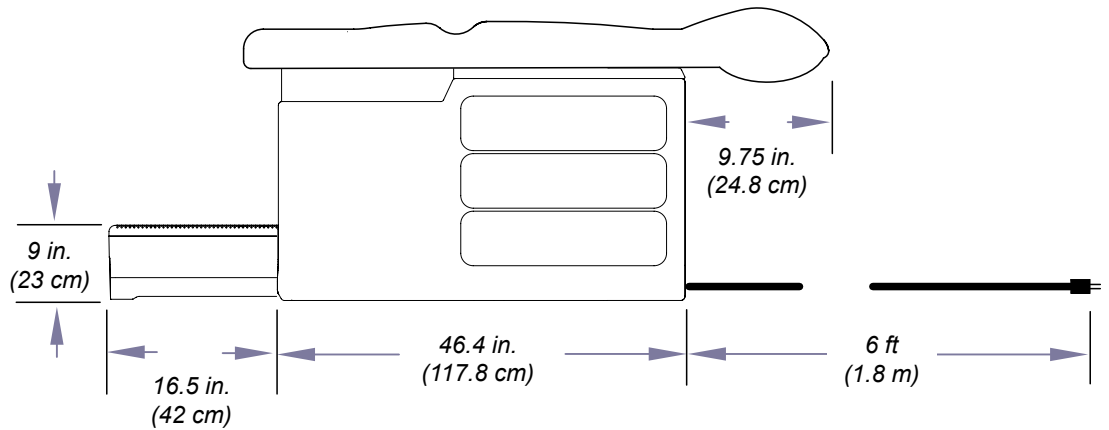
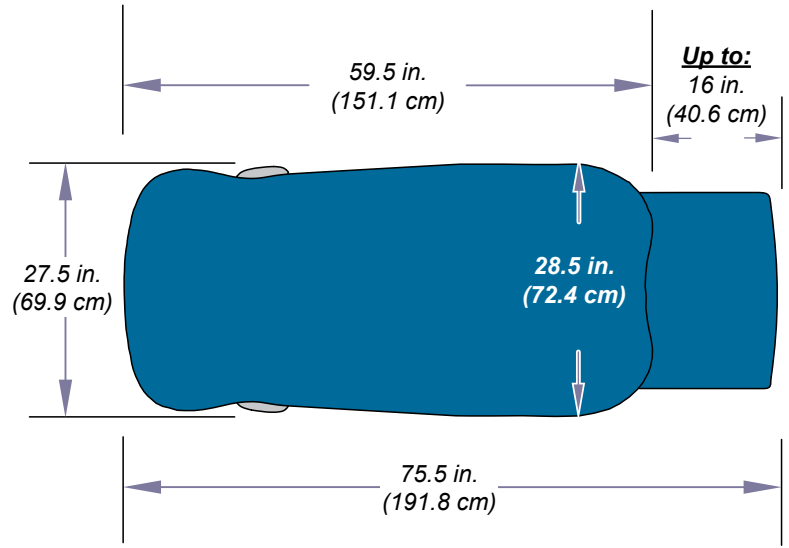
204

Soft Touch Upholstery

Seamless Upholstery



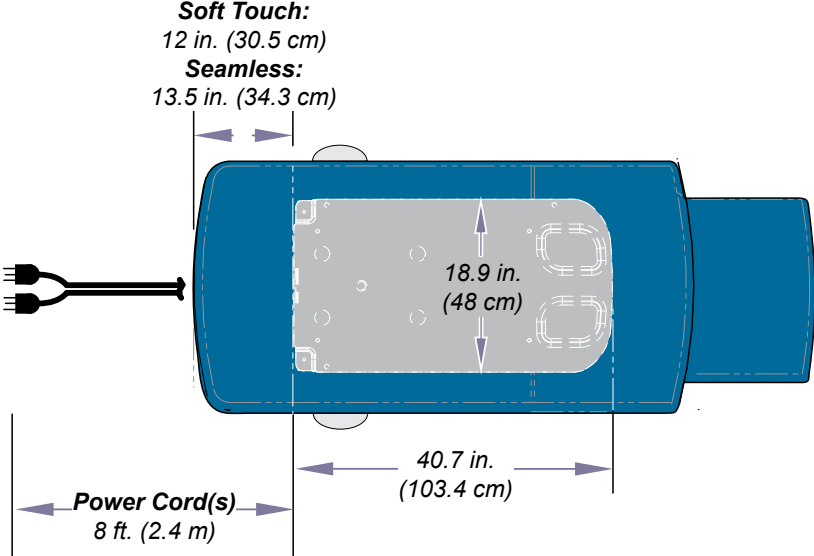
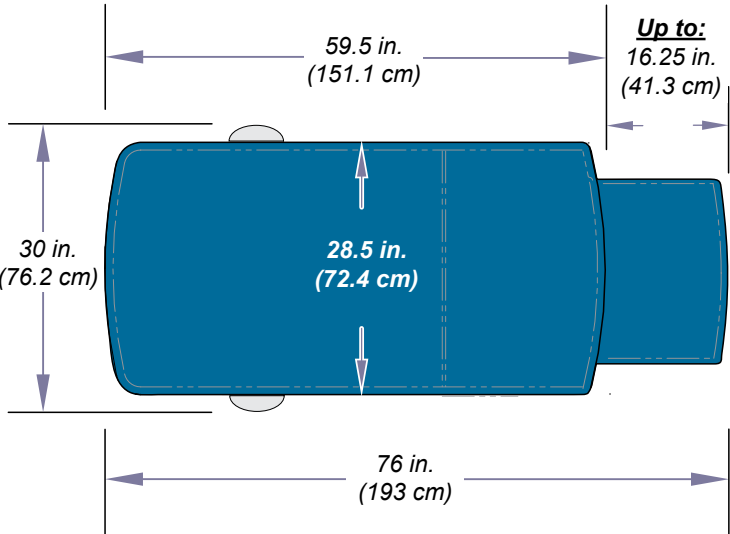
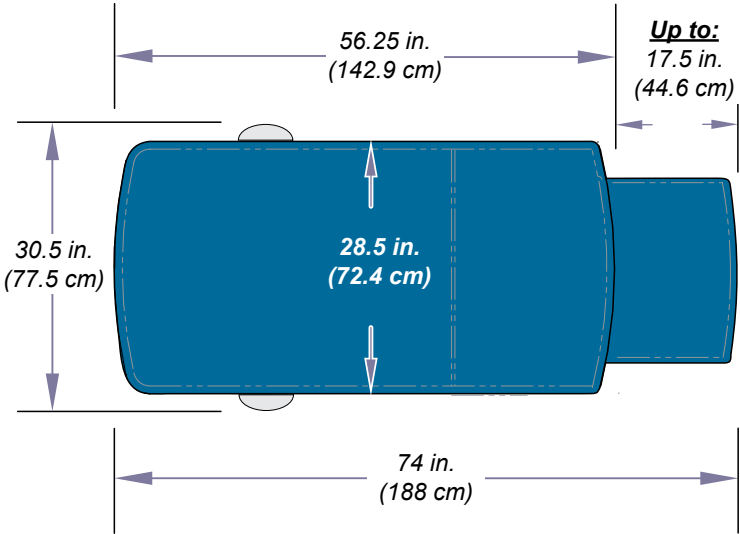
MA8365i



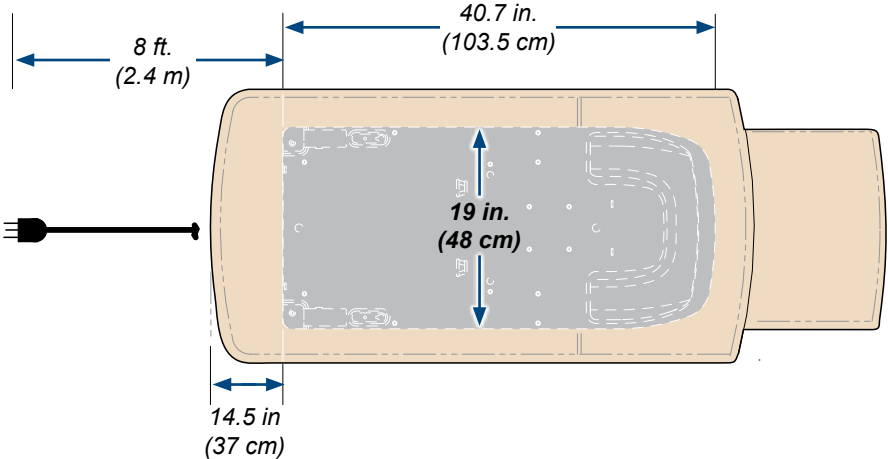
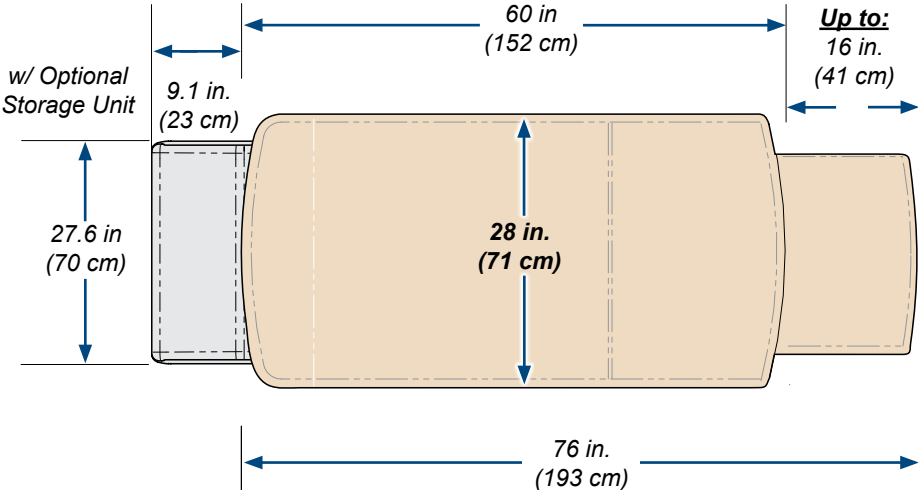
MA8366i

Soft Touch Upholstery

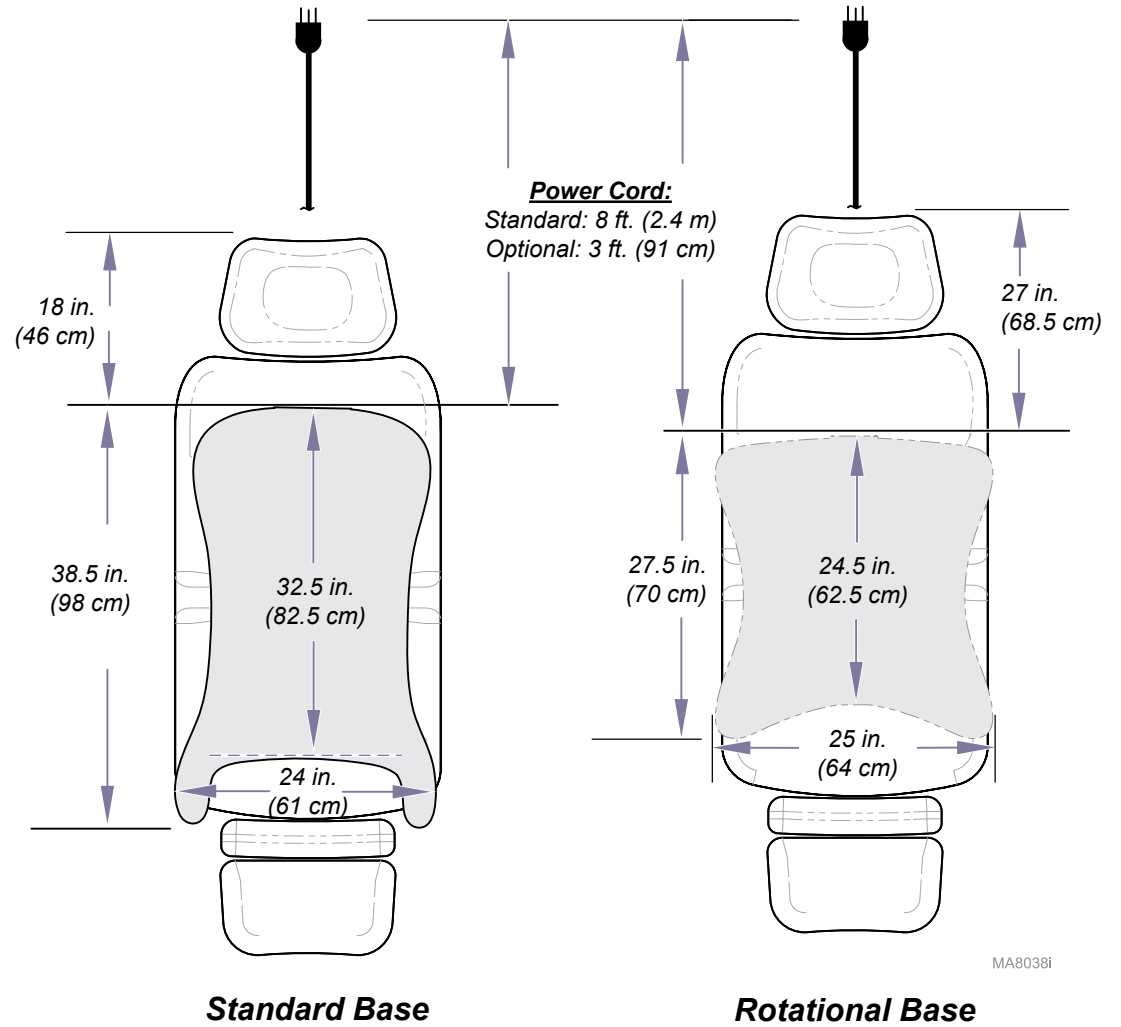
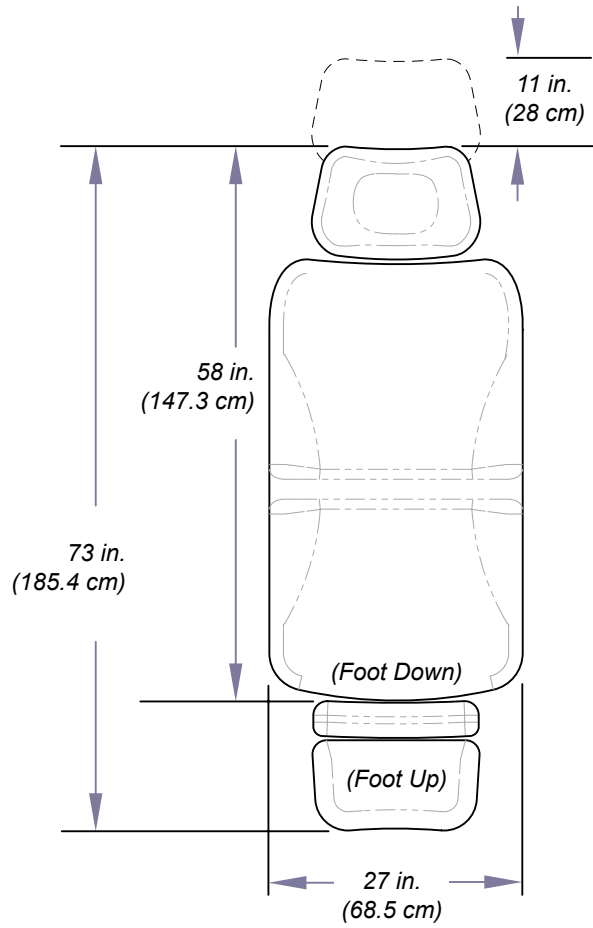
Seamless Upholstery



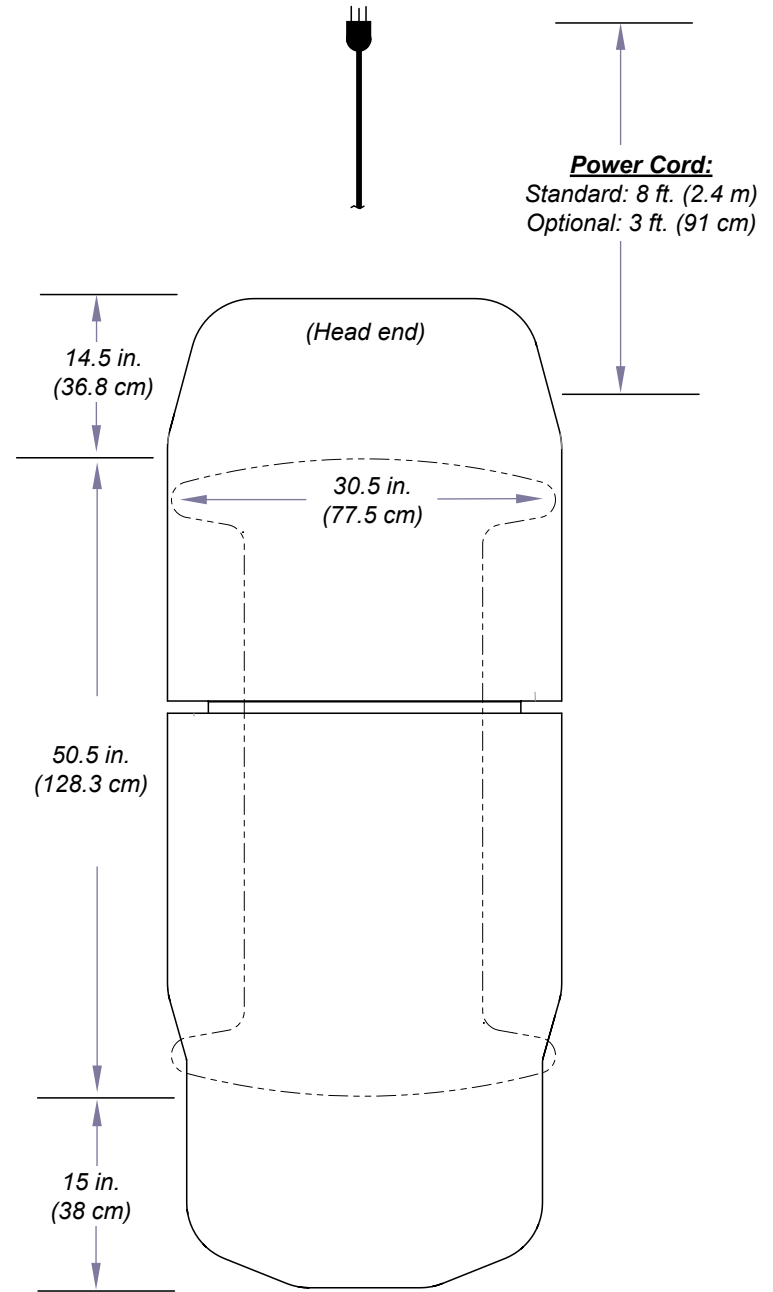
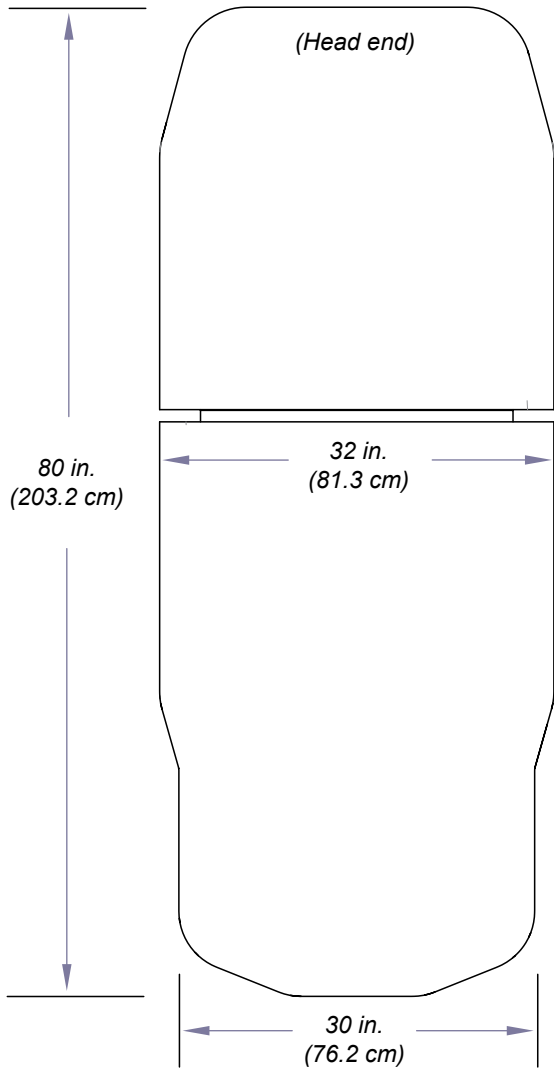
MA8367I



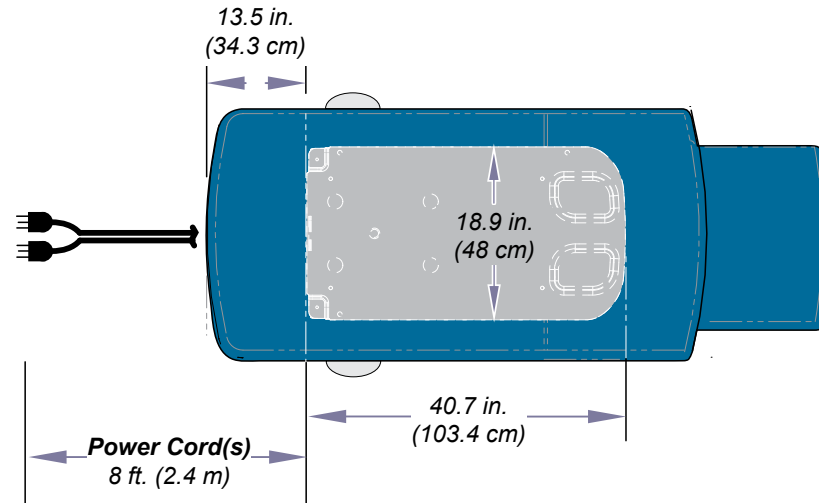
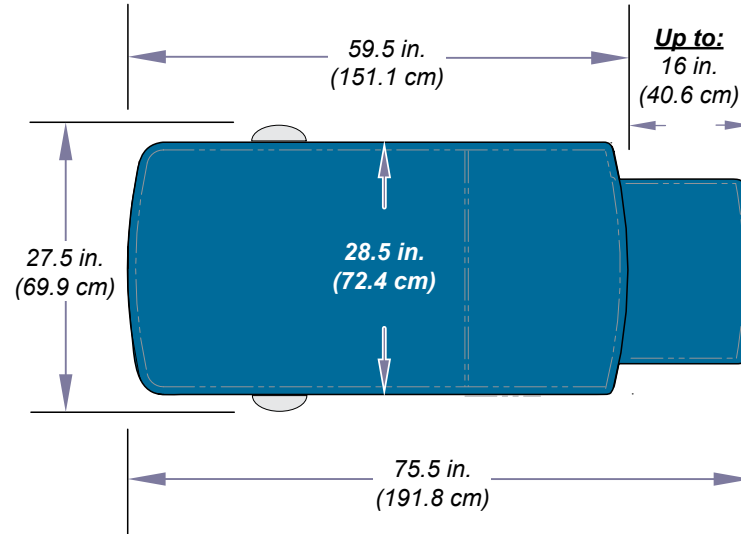
MA10991i



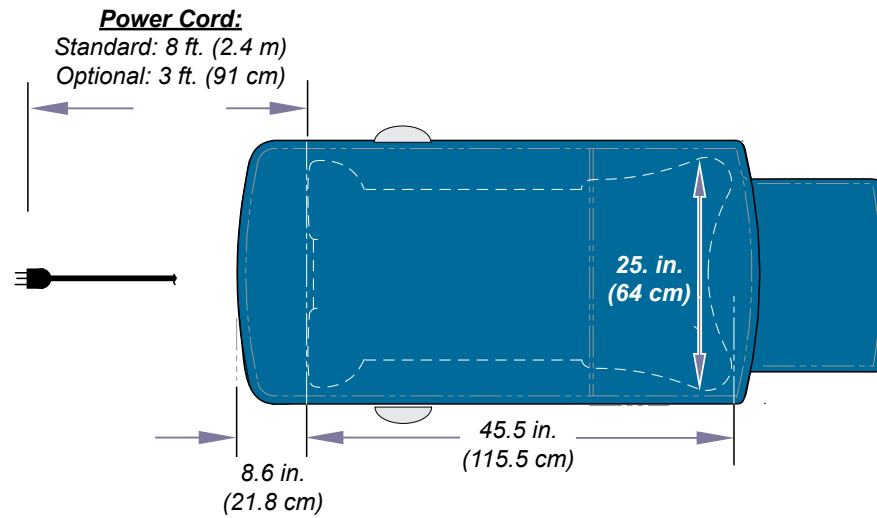
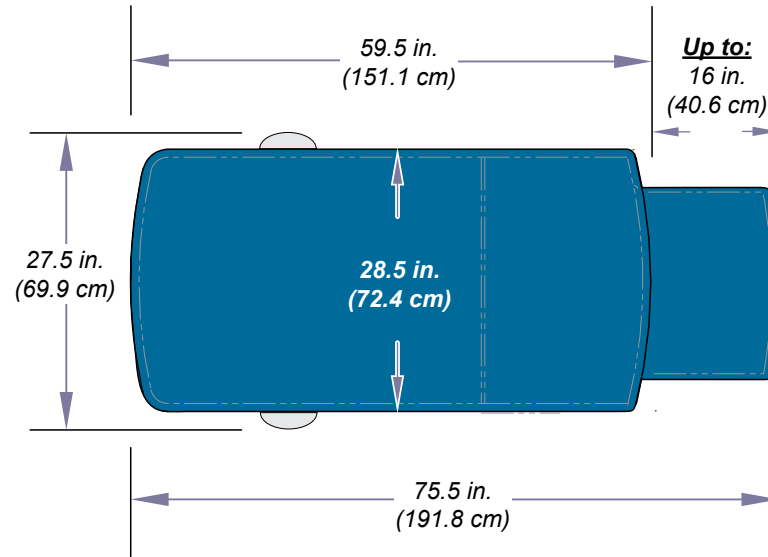
MA8038i



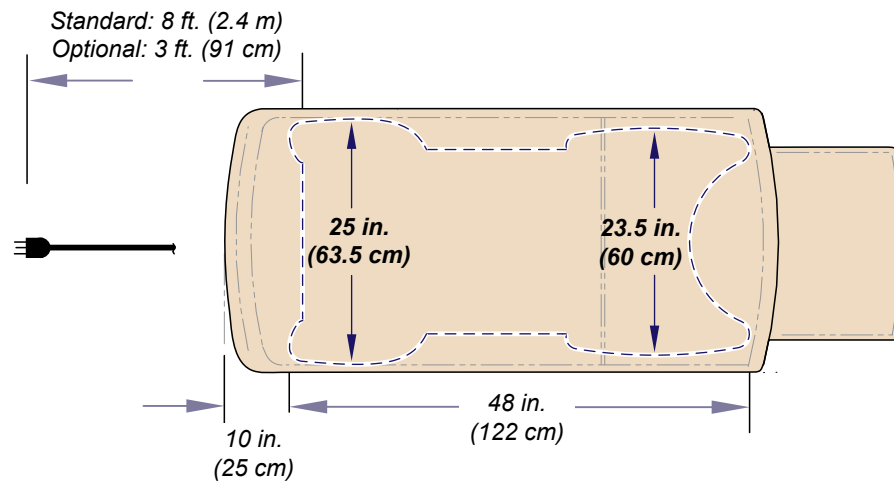
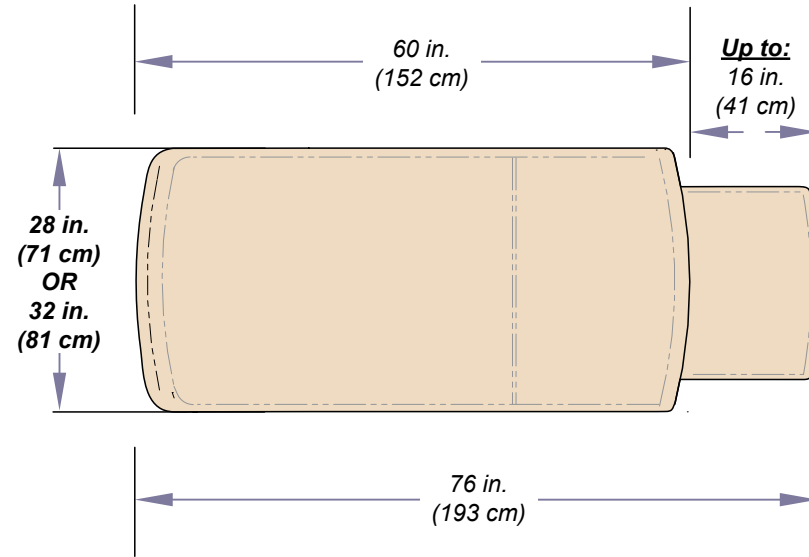
MA8179i



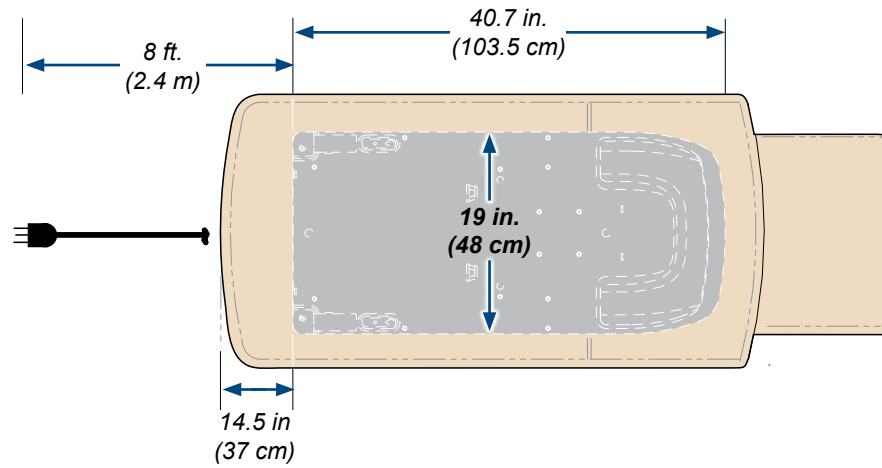
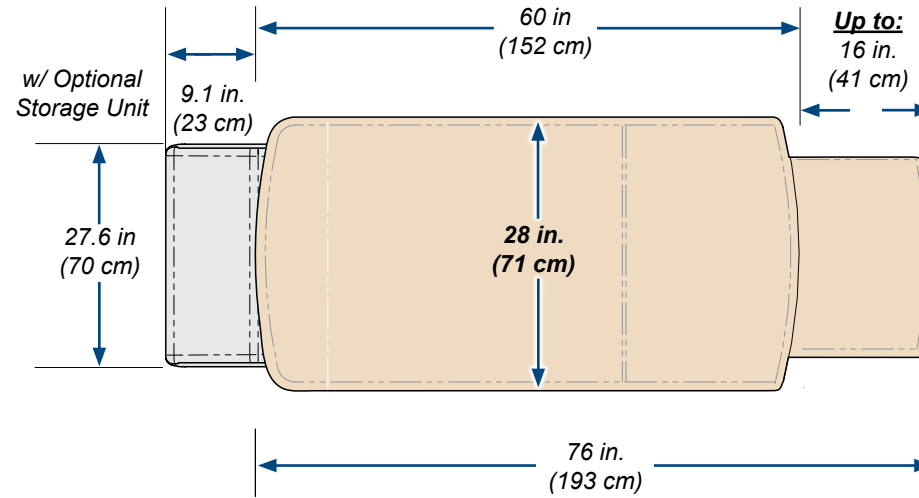
MA8368i



MA8369i

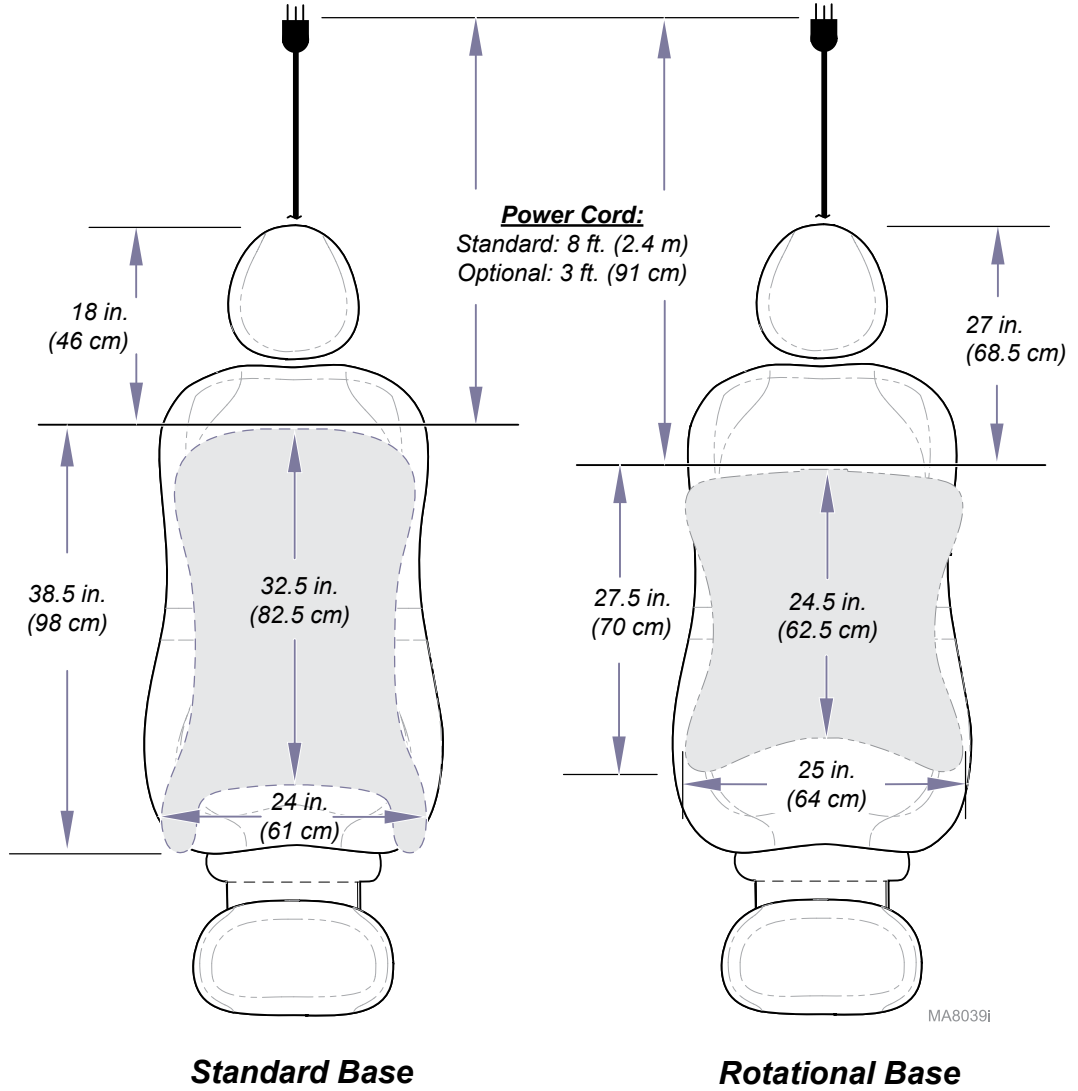
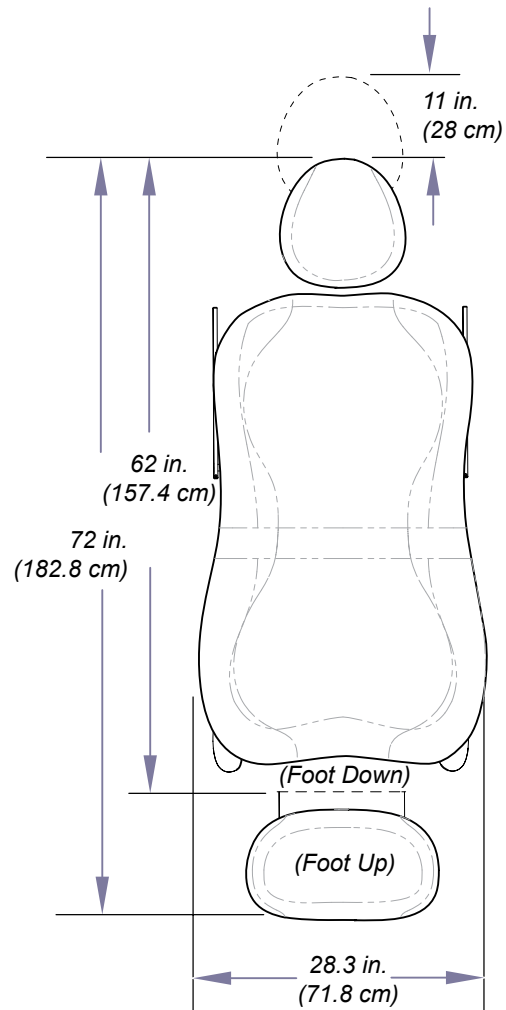


MA10990i

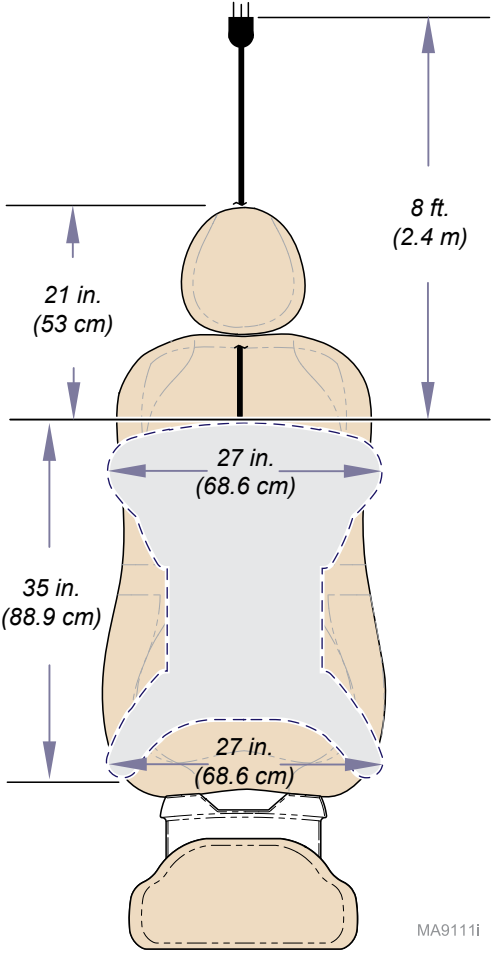
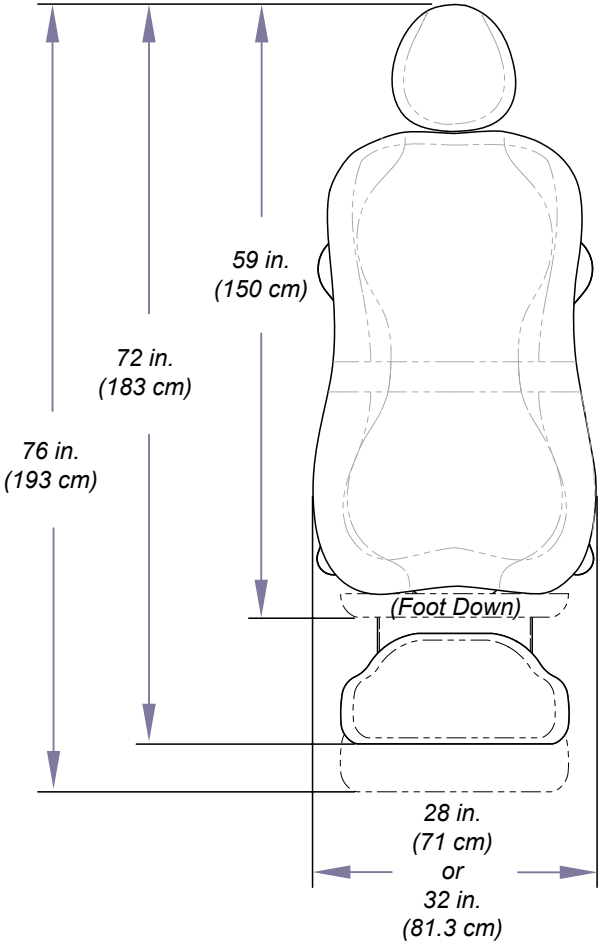


MA10991i

630 (-001 thru -009)

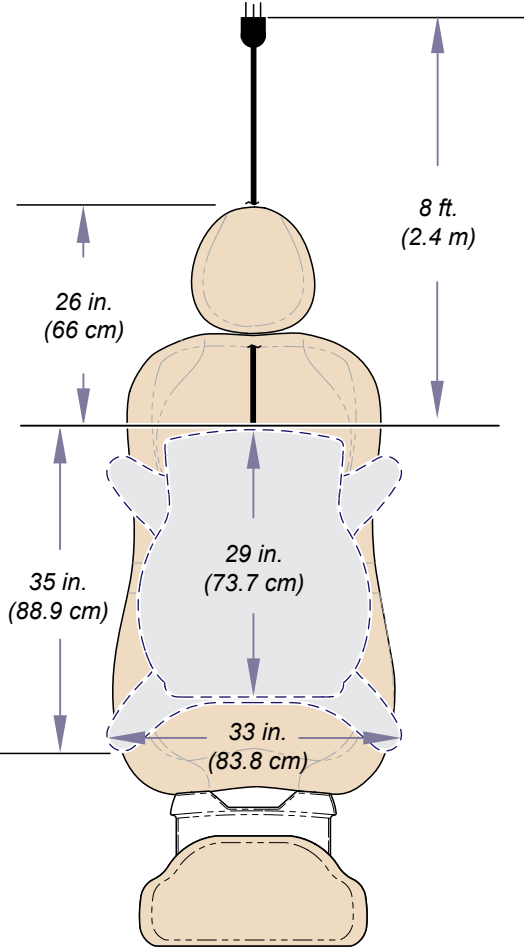


630 (-010 thru -013 / -020 thru -023)

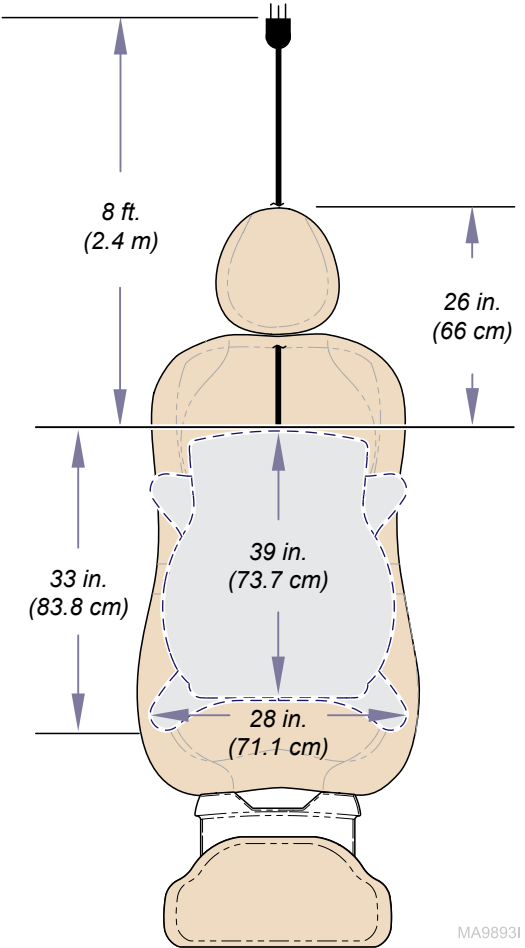


Standard Base

630 (-010 thru -013 / -020 thru -023) - continued

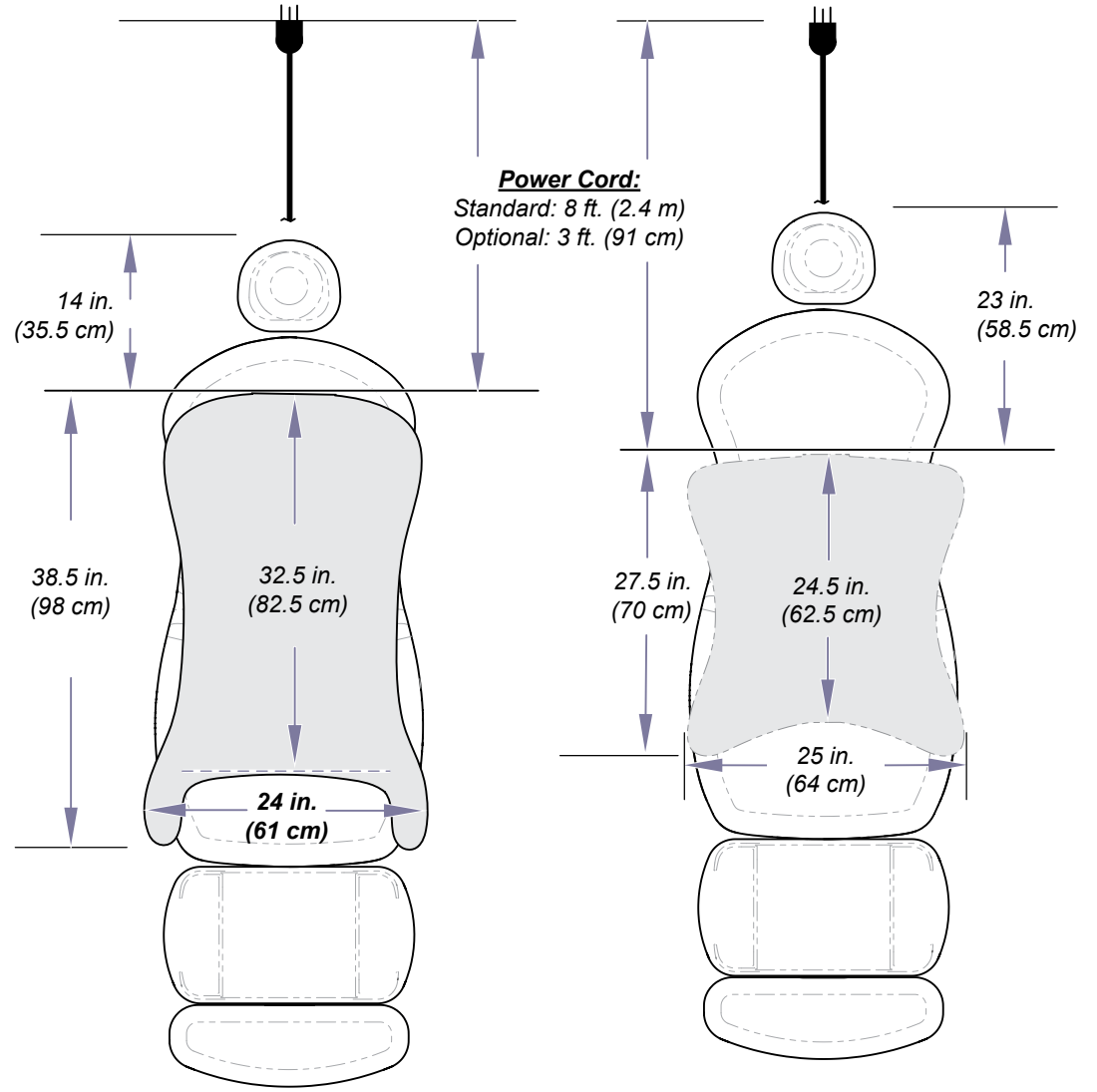
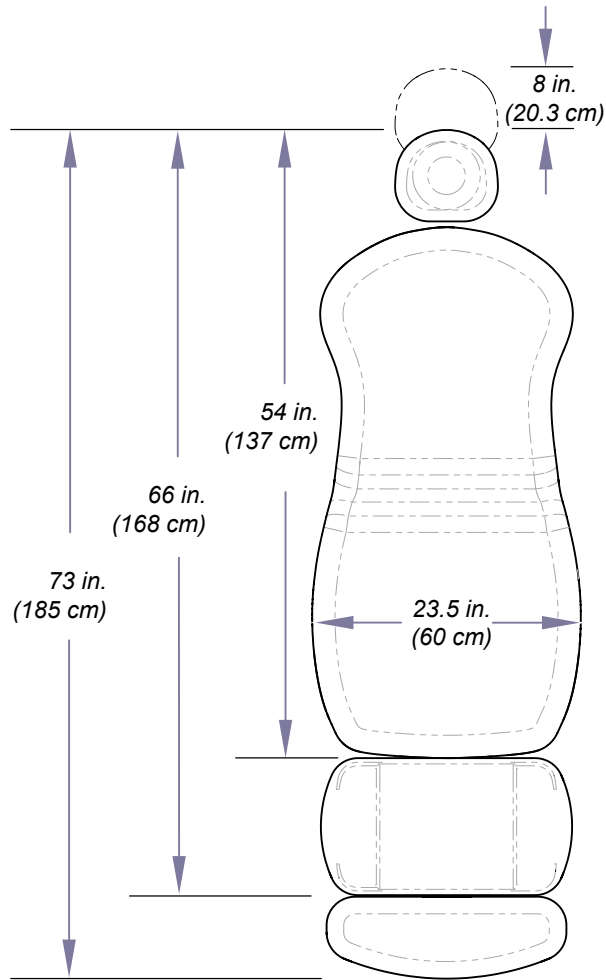


**Rotational Base
V2222 thru V1702160**



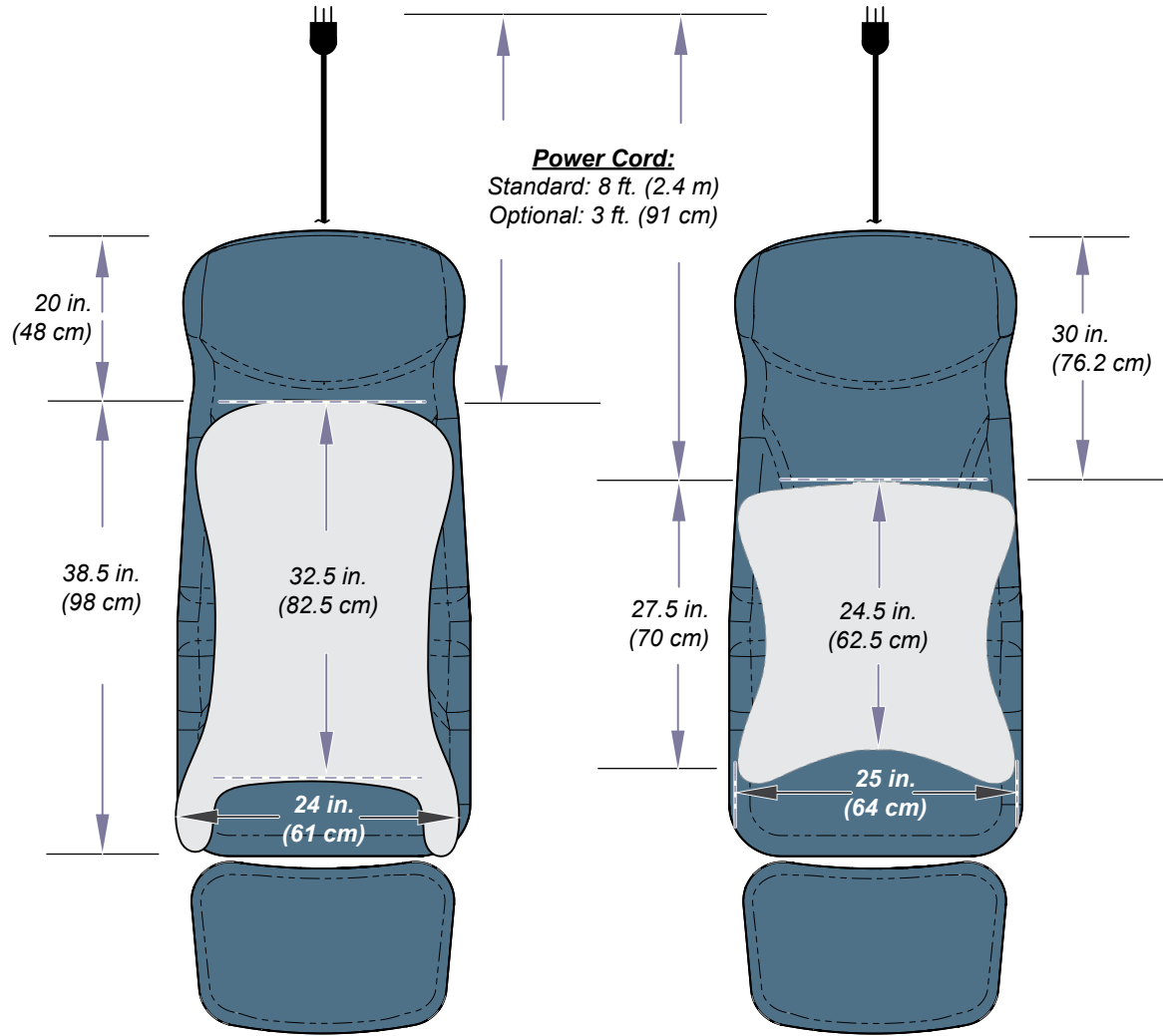
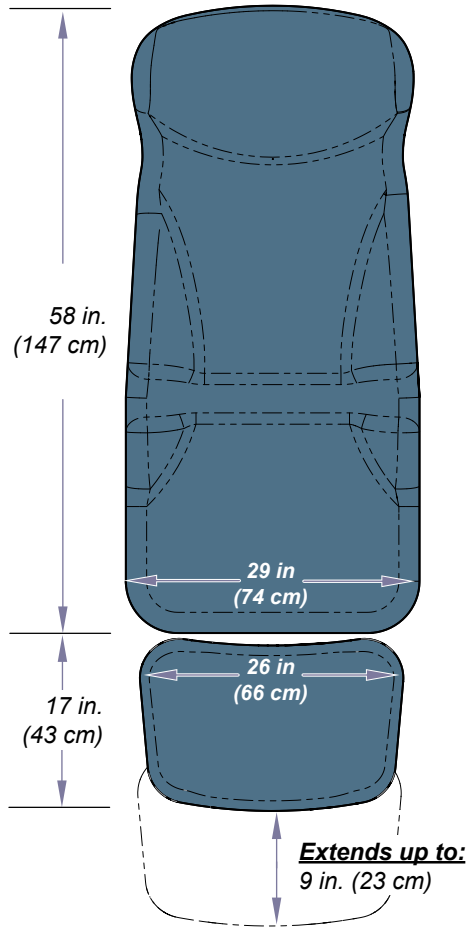
**Rotational Base
V1702161 thru Present**

MA98931



Standard Base

Rotational Base



Standard Base

Rotational Base

MA8041i