

# Upholstered Top / Base Dimensions

Model	Page
204	1
604	2
222 / 223	3
224 / 225	4
230	5
244	6
622 / 623	7
625	8
626	9
627	10
630	11
641	14
646 / 647	15

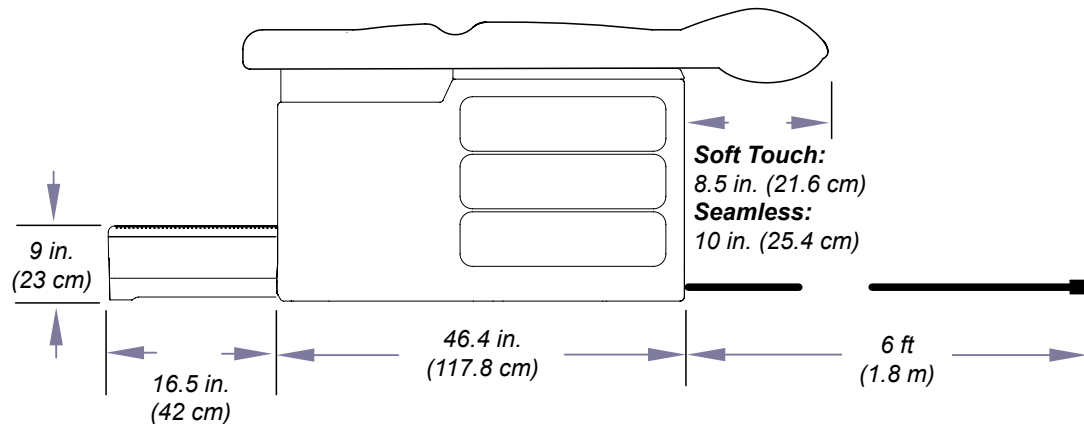
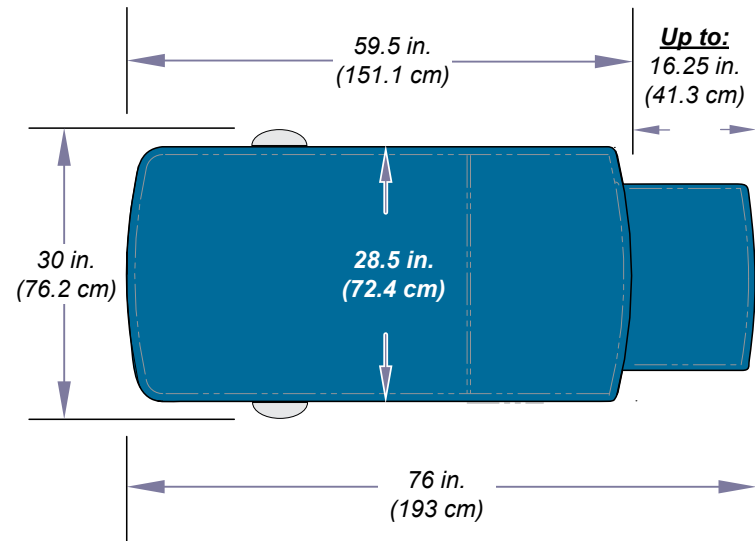
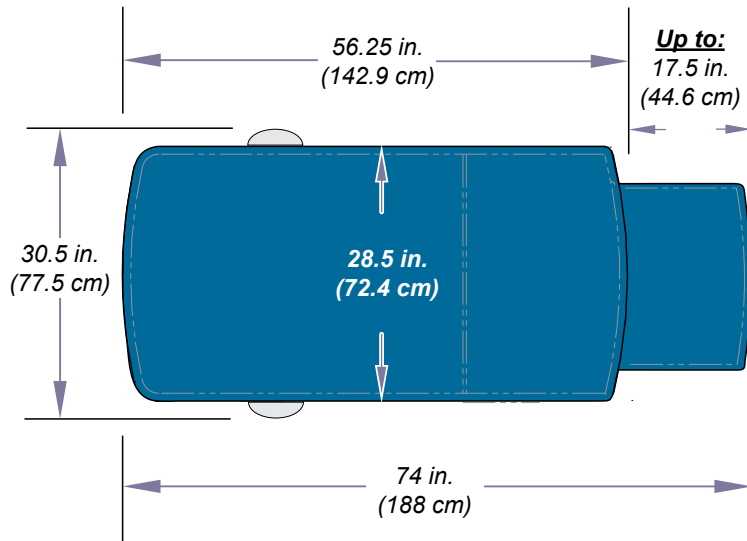
**Note**  
 This document is intended to provide reference information when performing the following actions:

- determining proper table position in exam room
- locating / installing facility receptacles

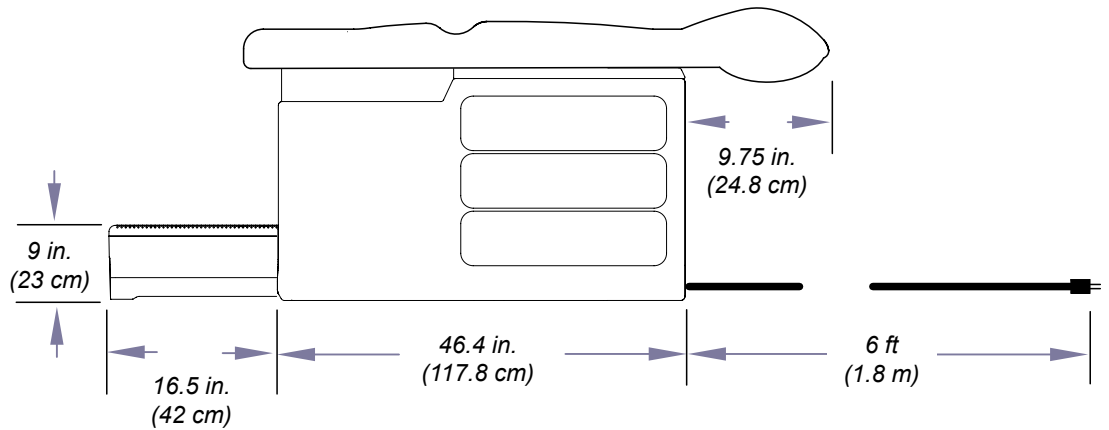
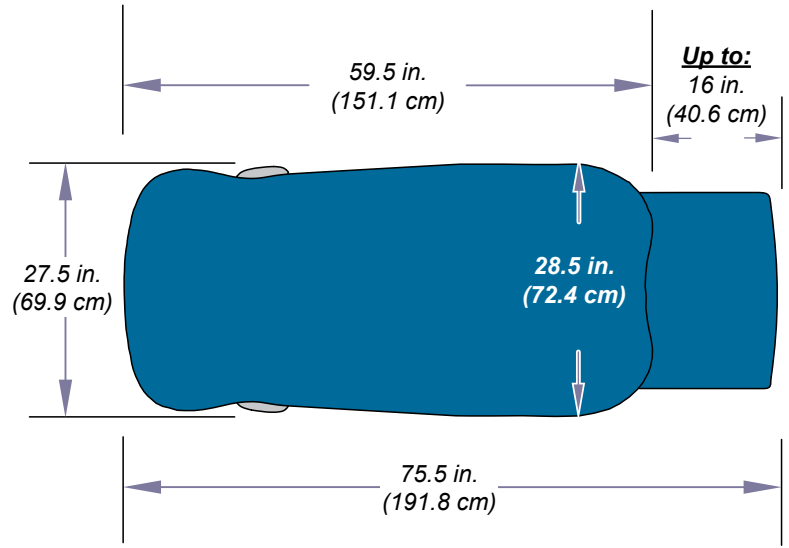
## 204

### Soft Touch Upholstery

### Seamless Upholstery

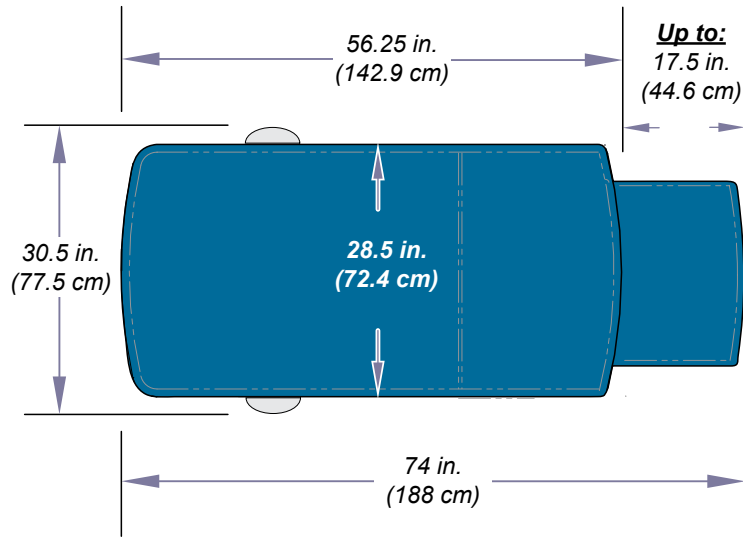


MA8365i

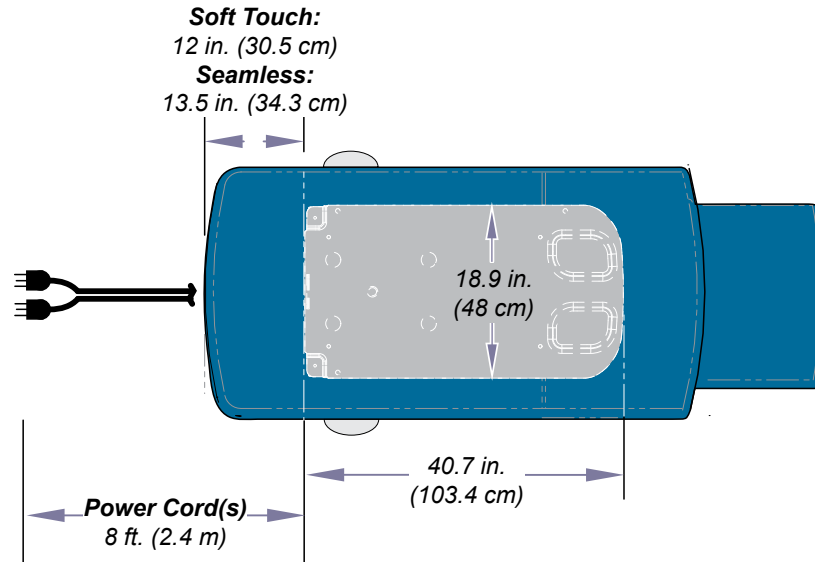
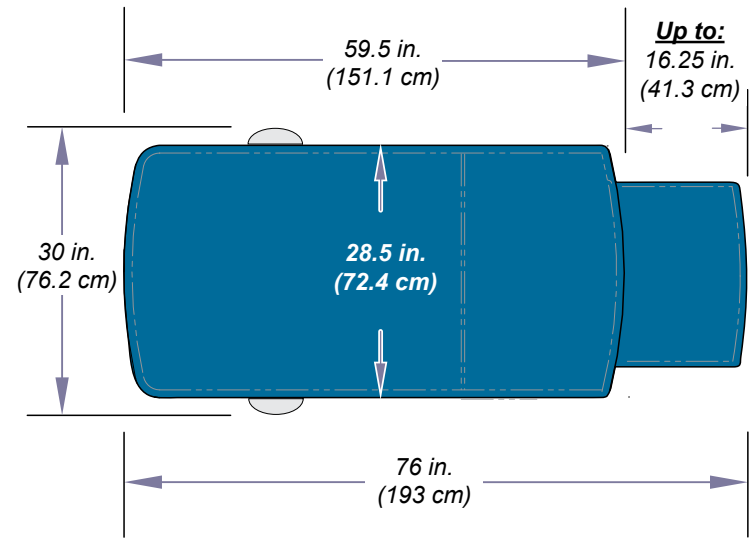


MA8366i

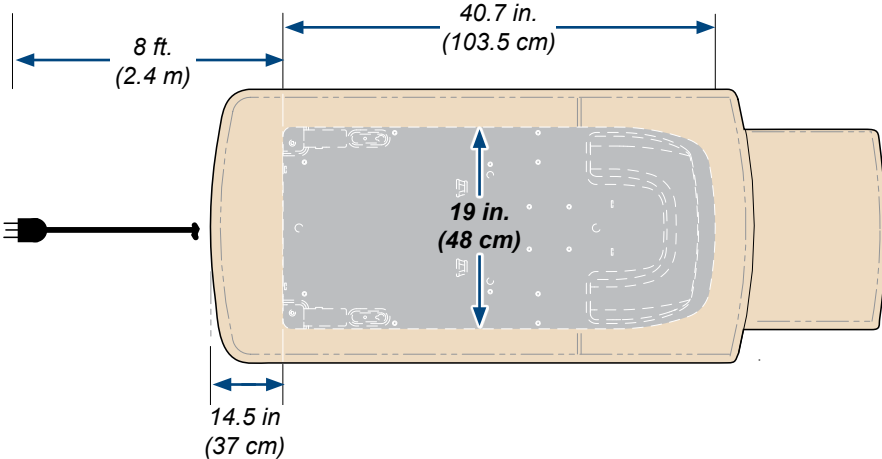
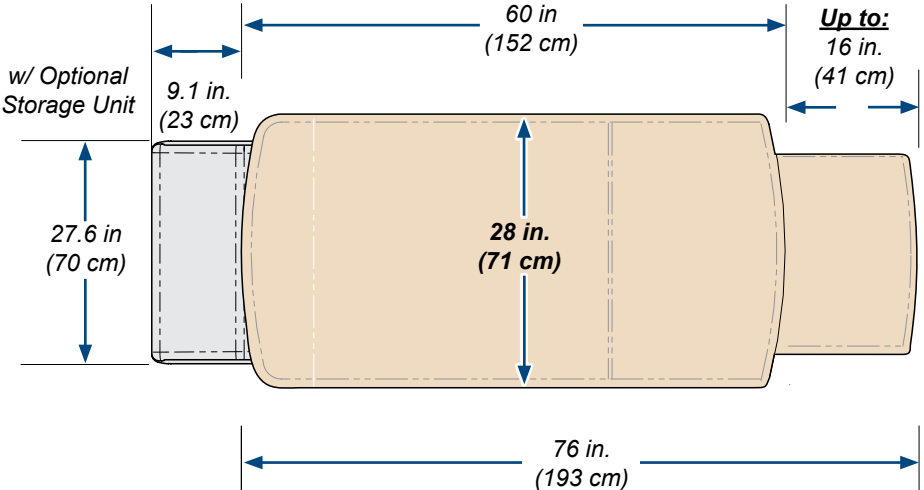
**Soft Touch Upholstery**



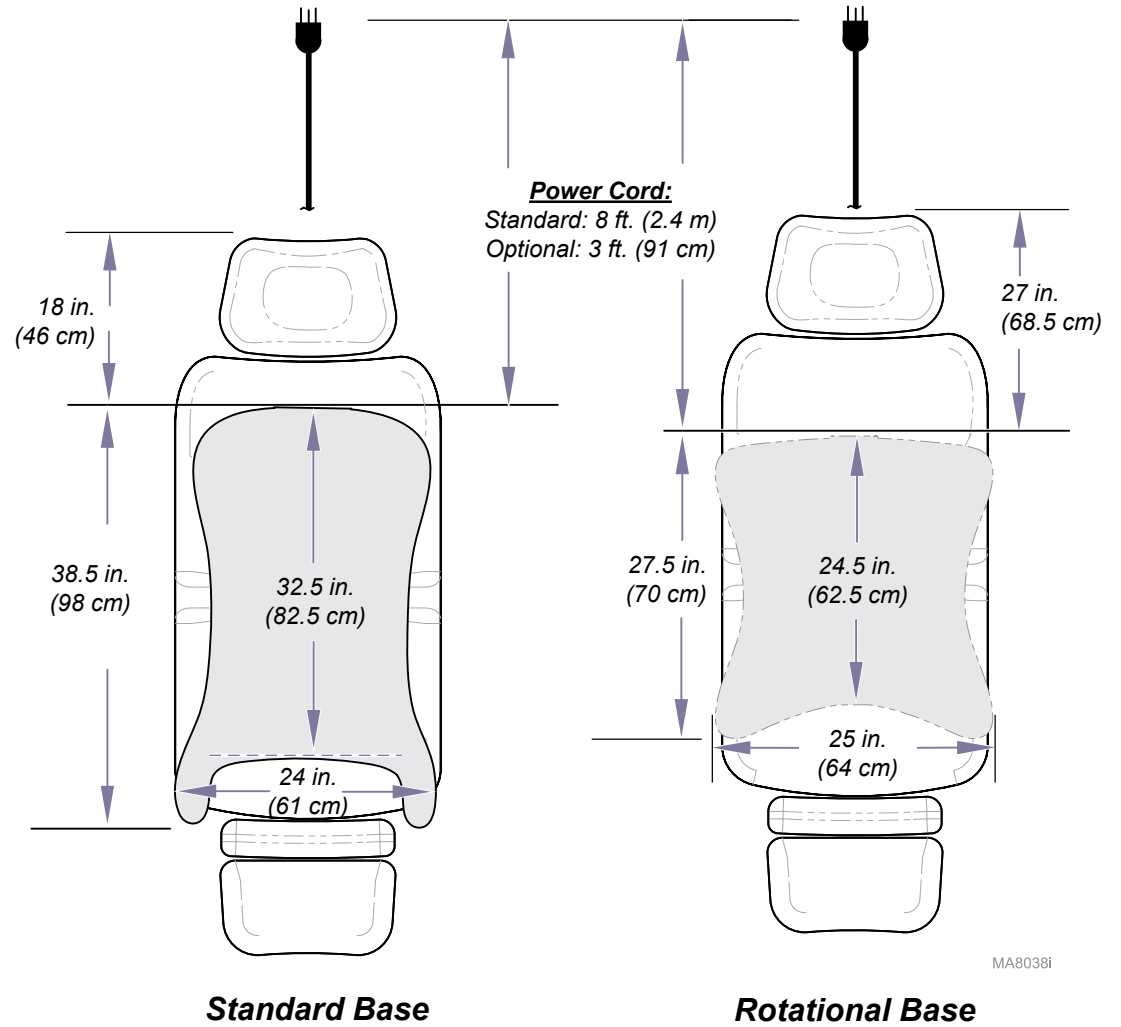
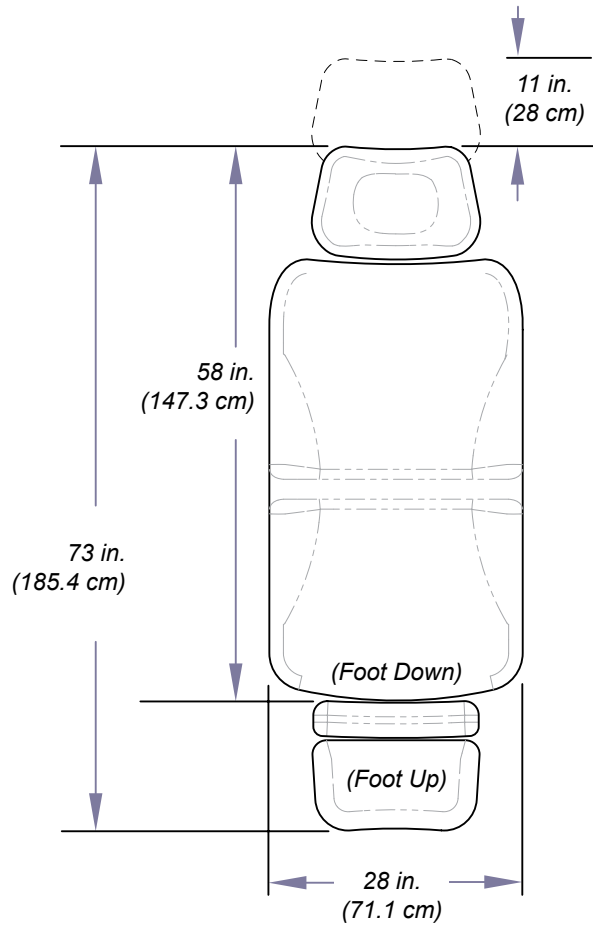
**Seamless Upholstery**



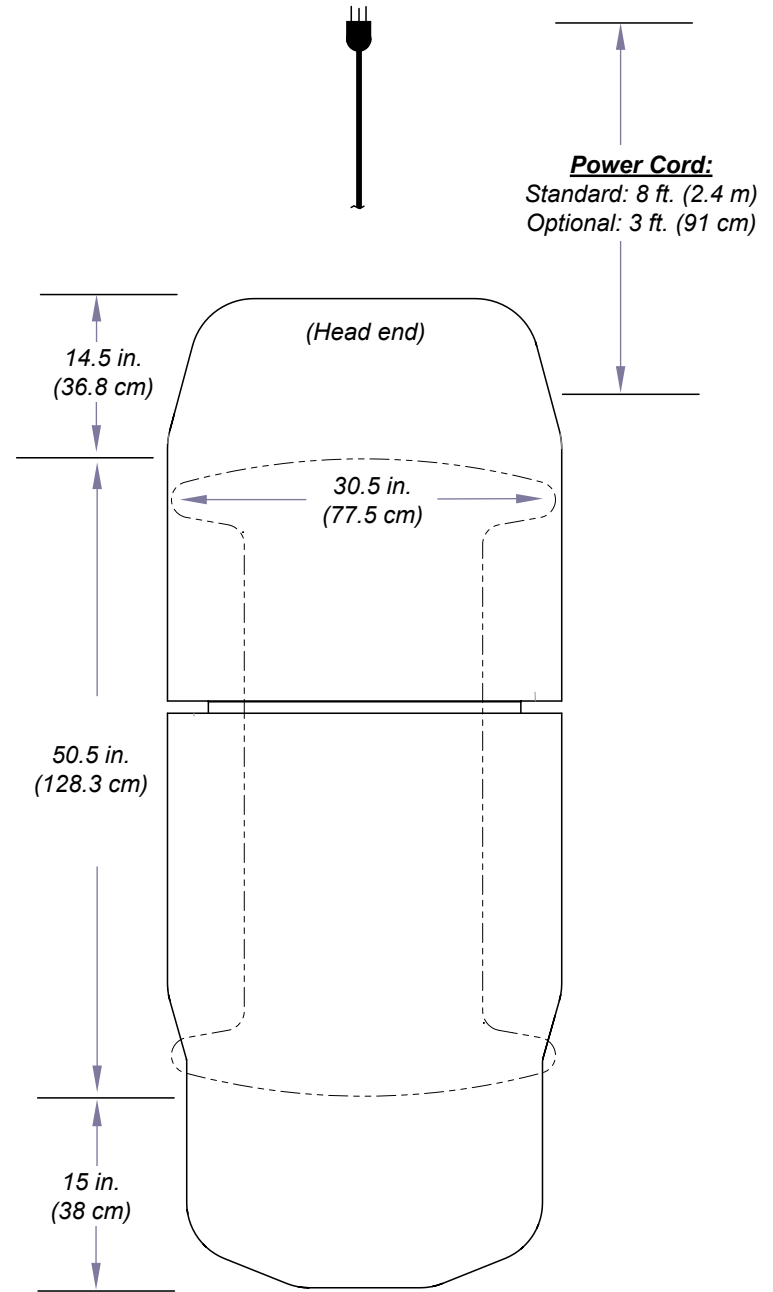
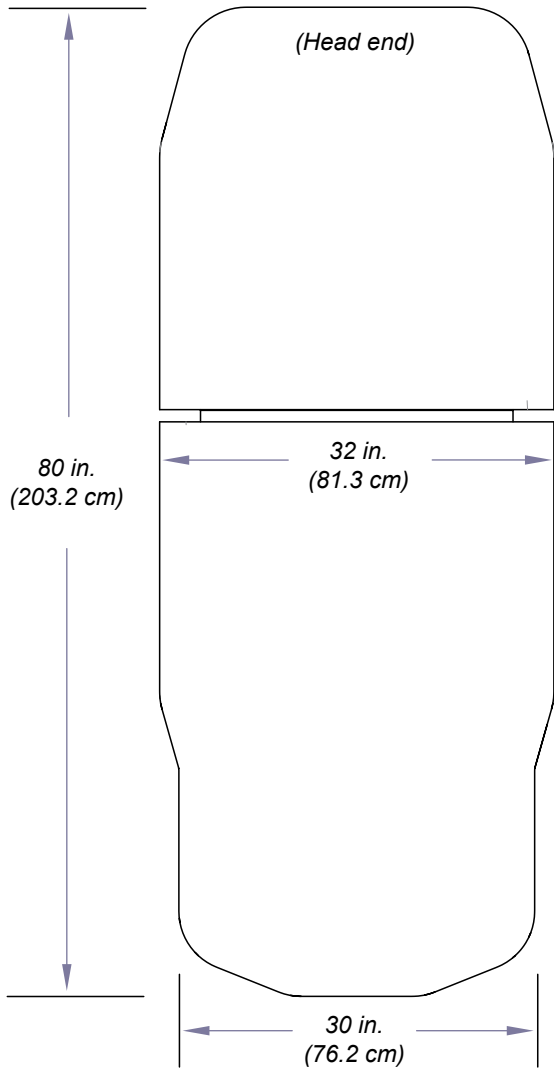
MA83671



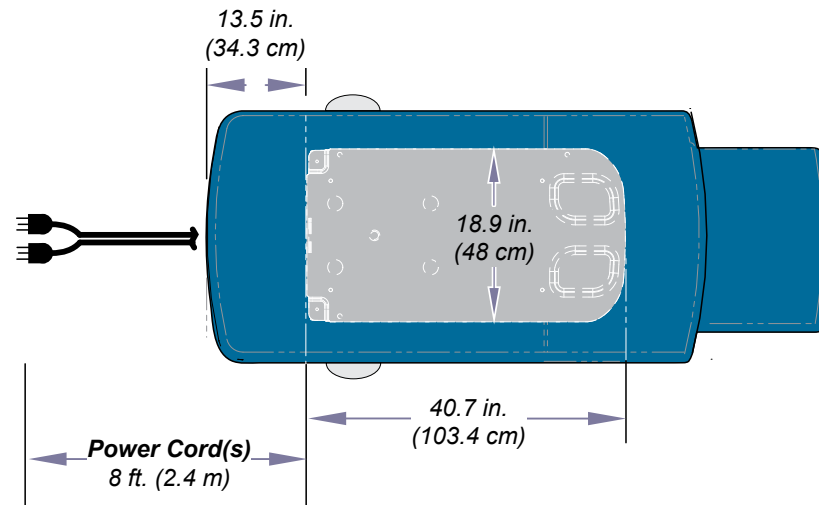
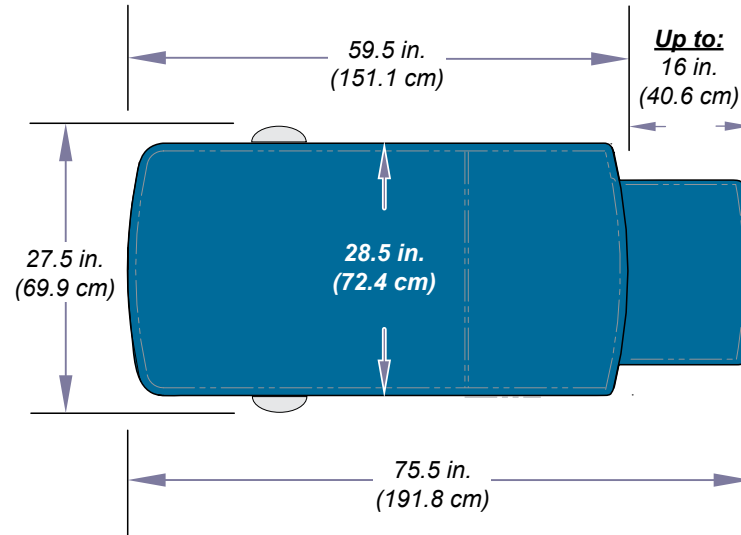
MA10991i



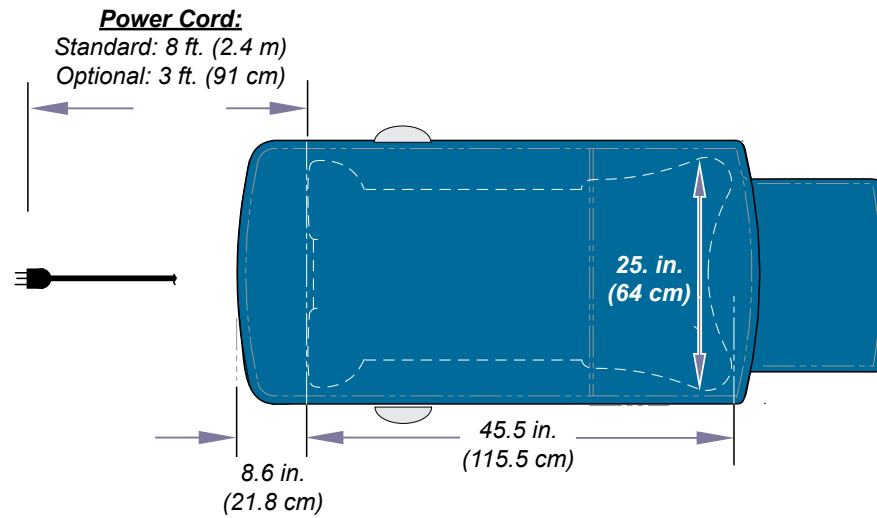
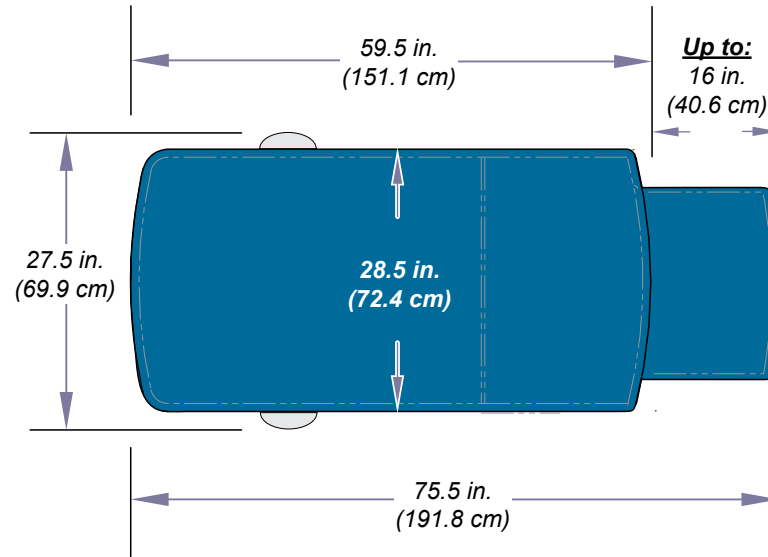
MA8038i



MA8179i

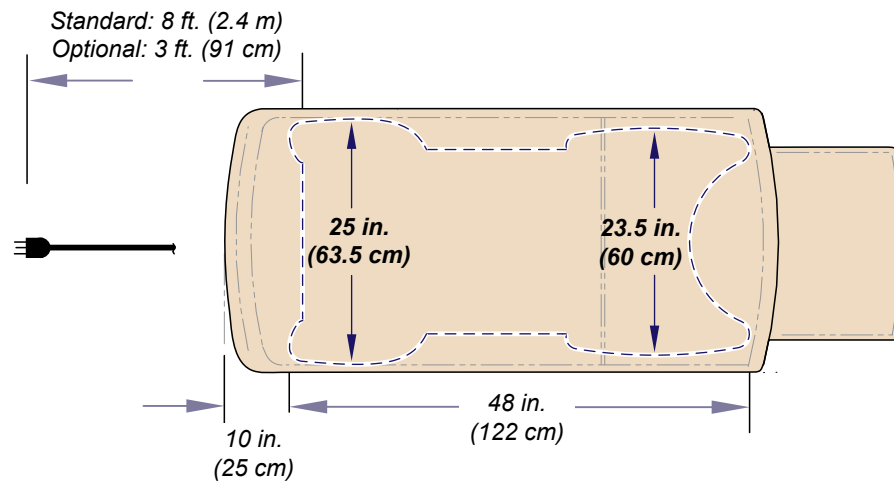
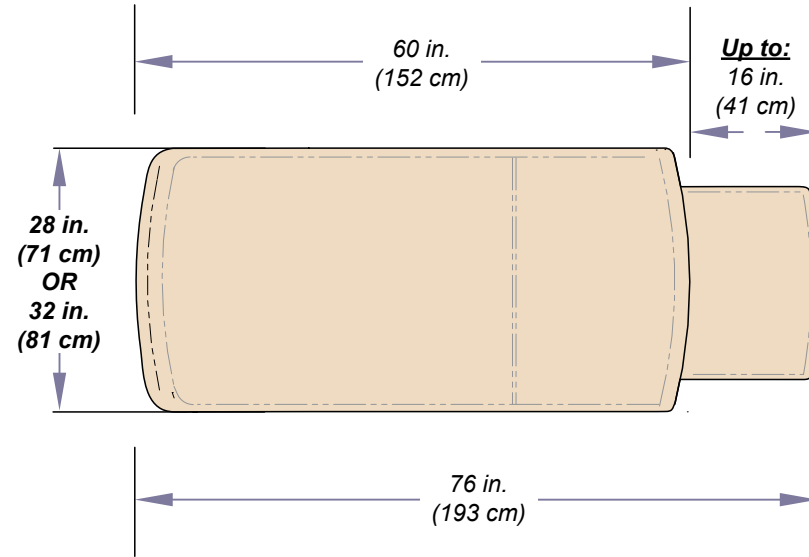


MA8368i

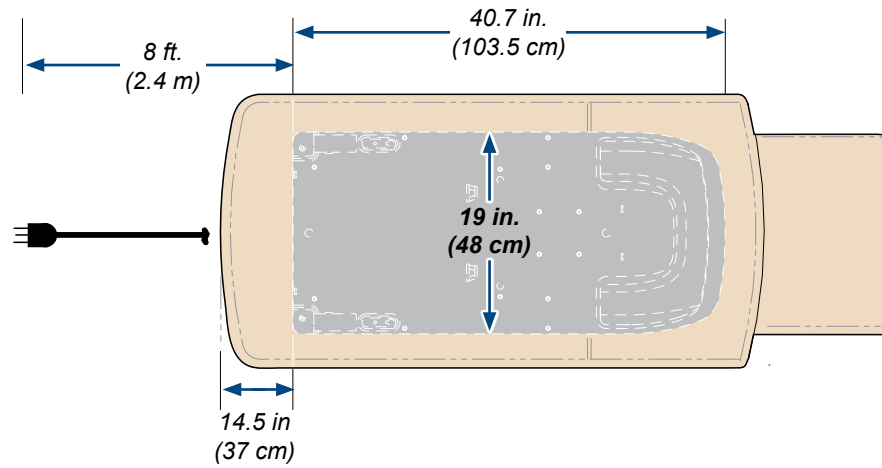
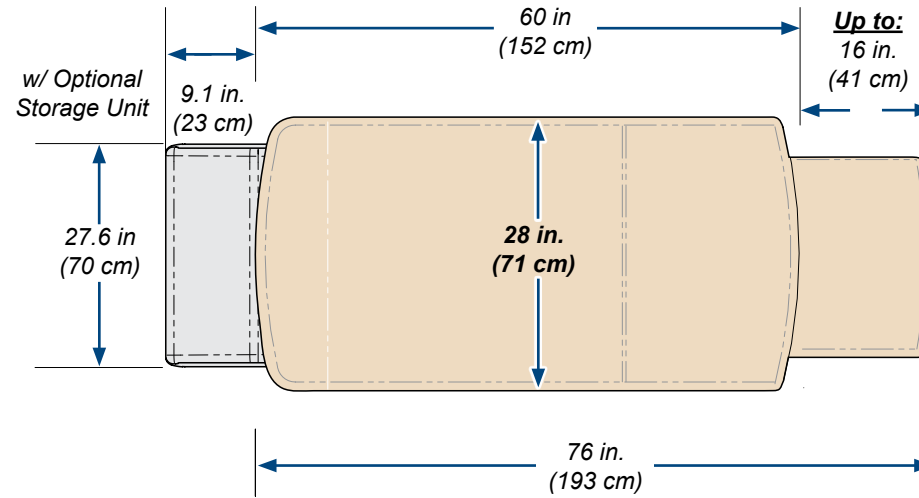


MA8369i



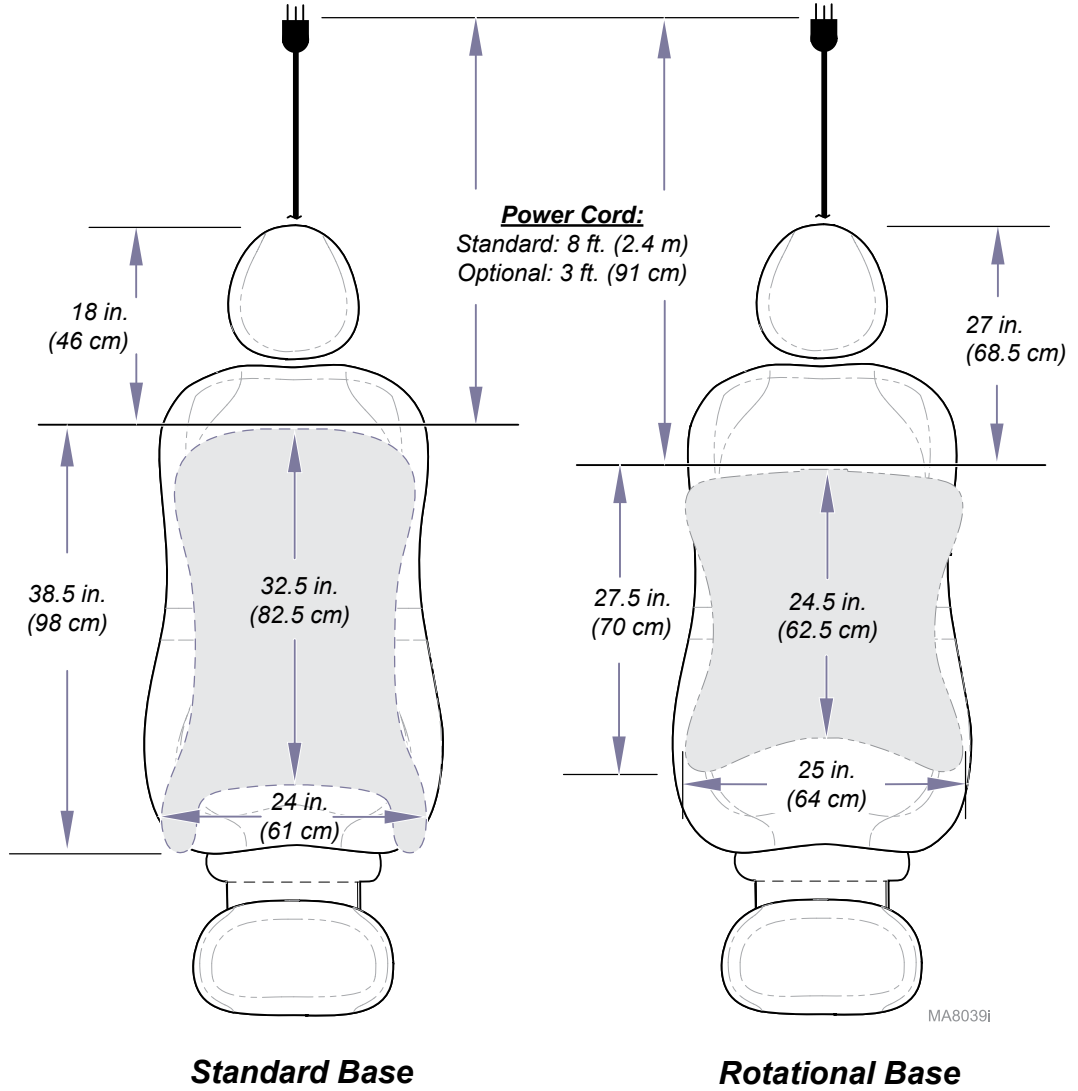
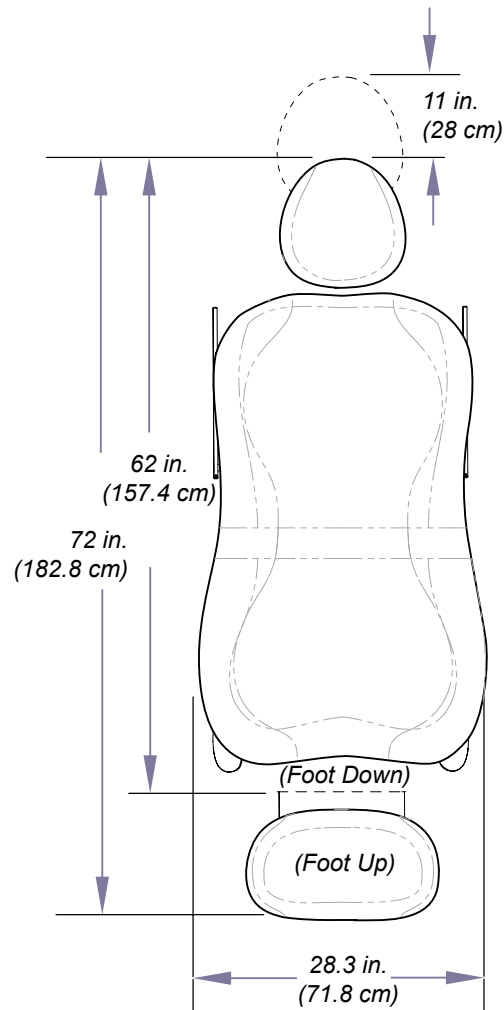


MA10990i

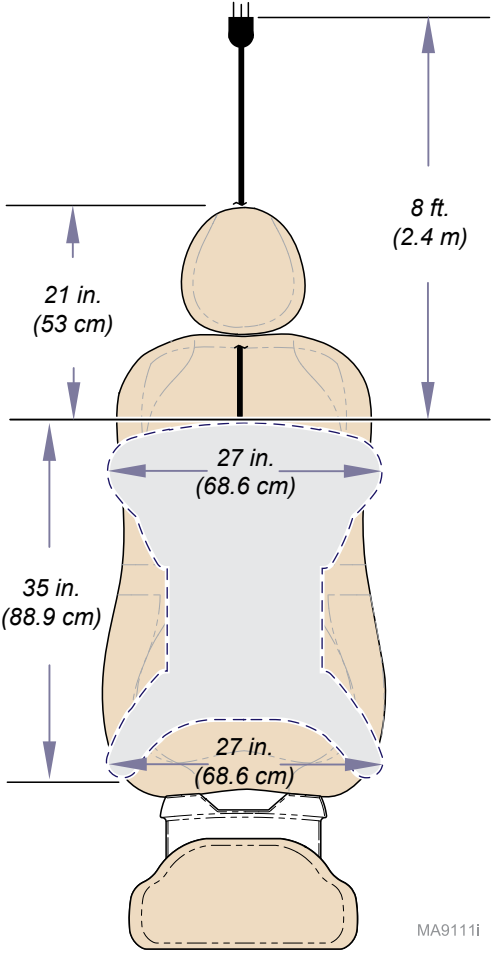
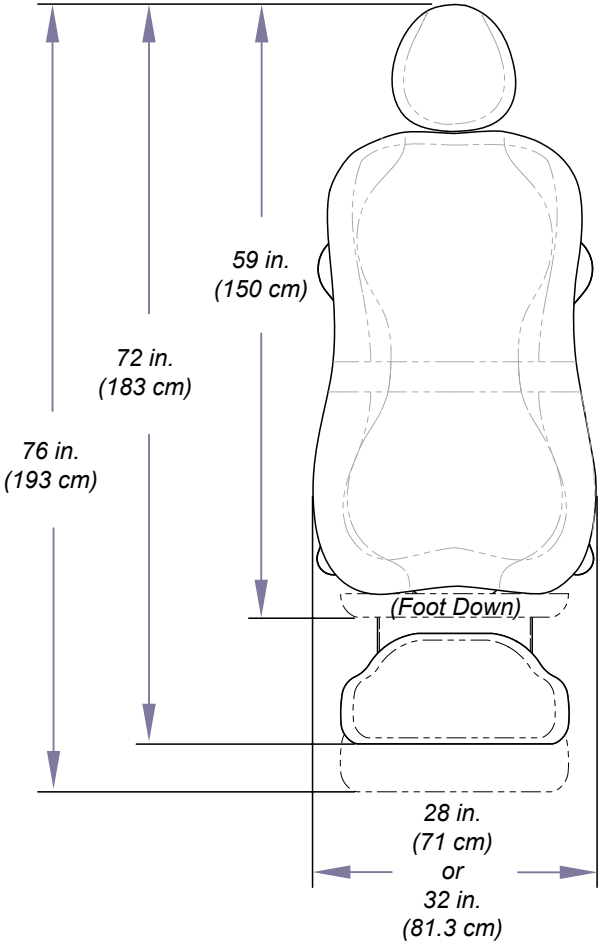


MA10991i

630 (-001 thru -009)

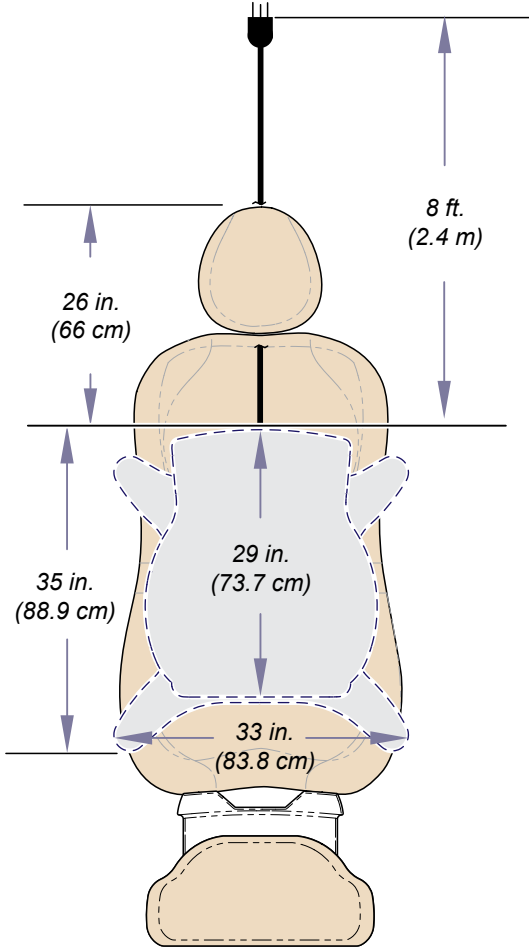


630 (-010 thru -013 / -020 thru -023)

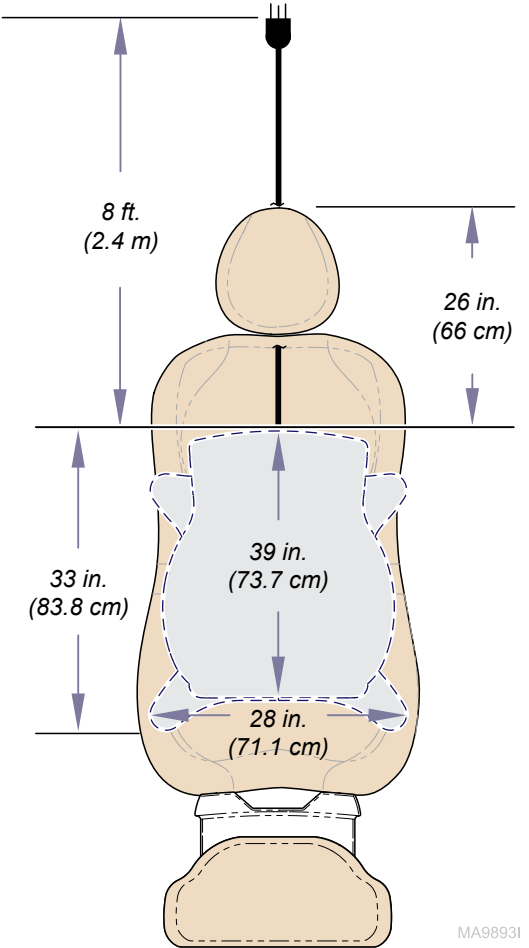


**Standard Base**

630 (-010 thru -013 / -020 thru -023) - continued

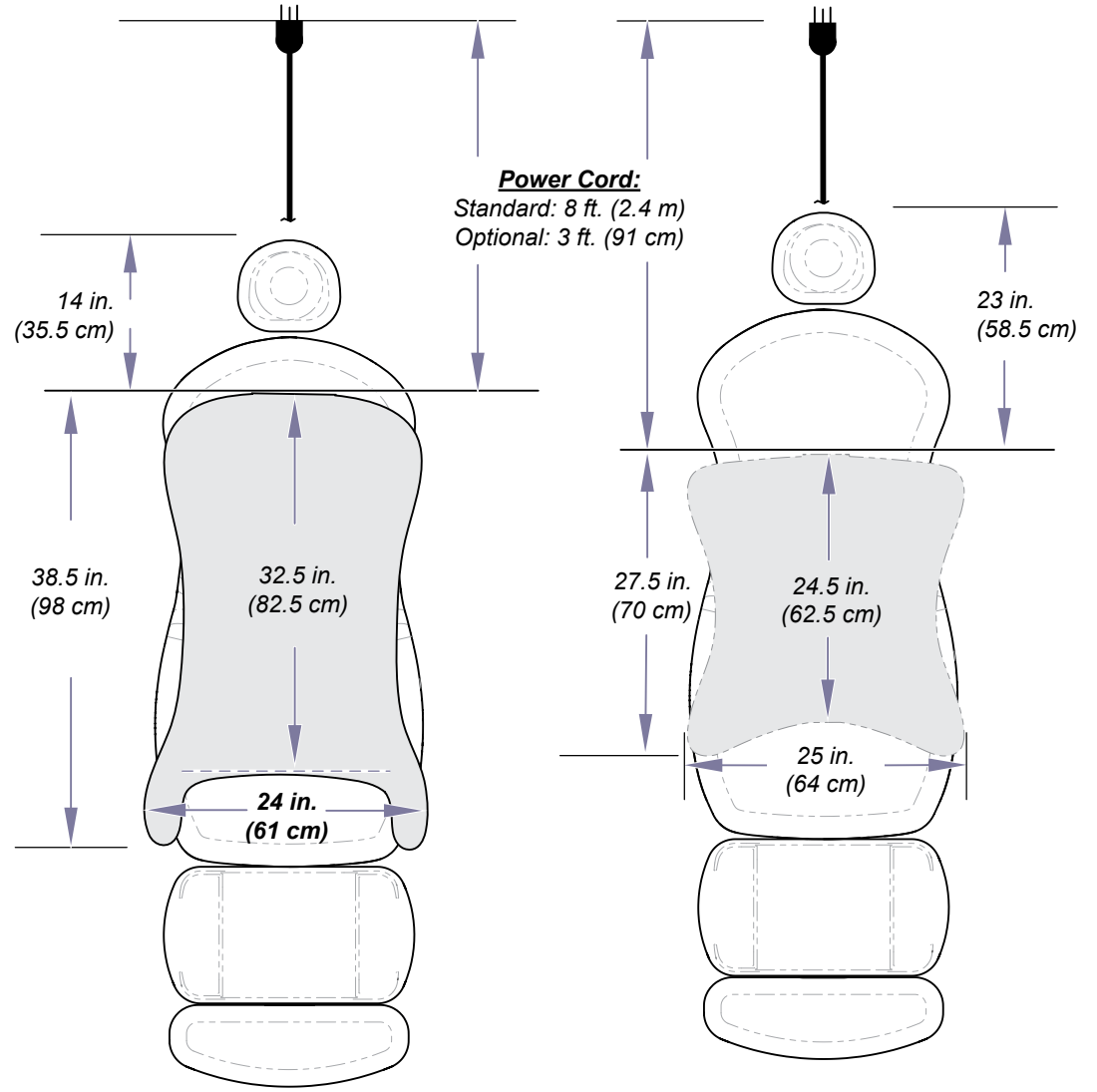
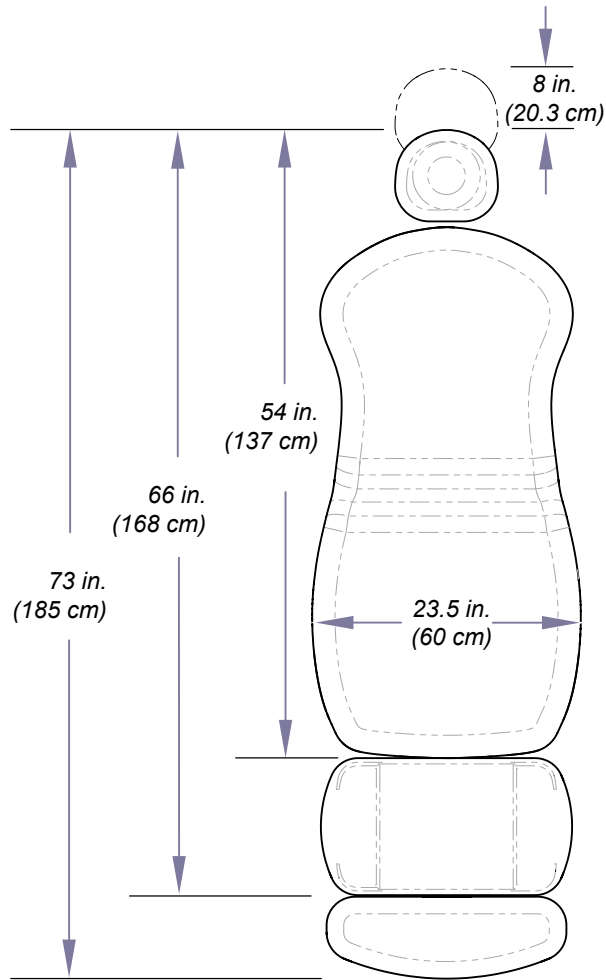


**Rotational Base  
V2222 thru V1702160**



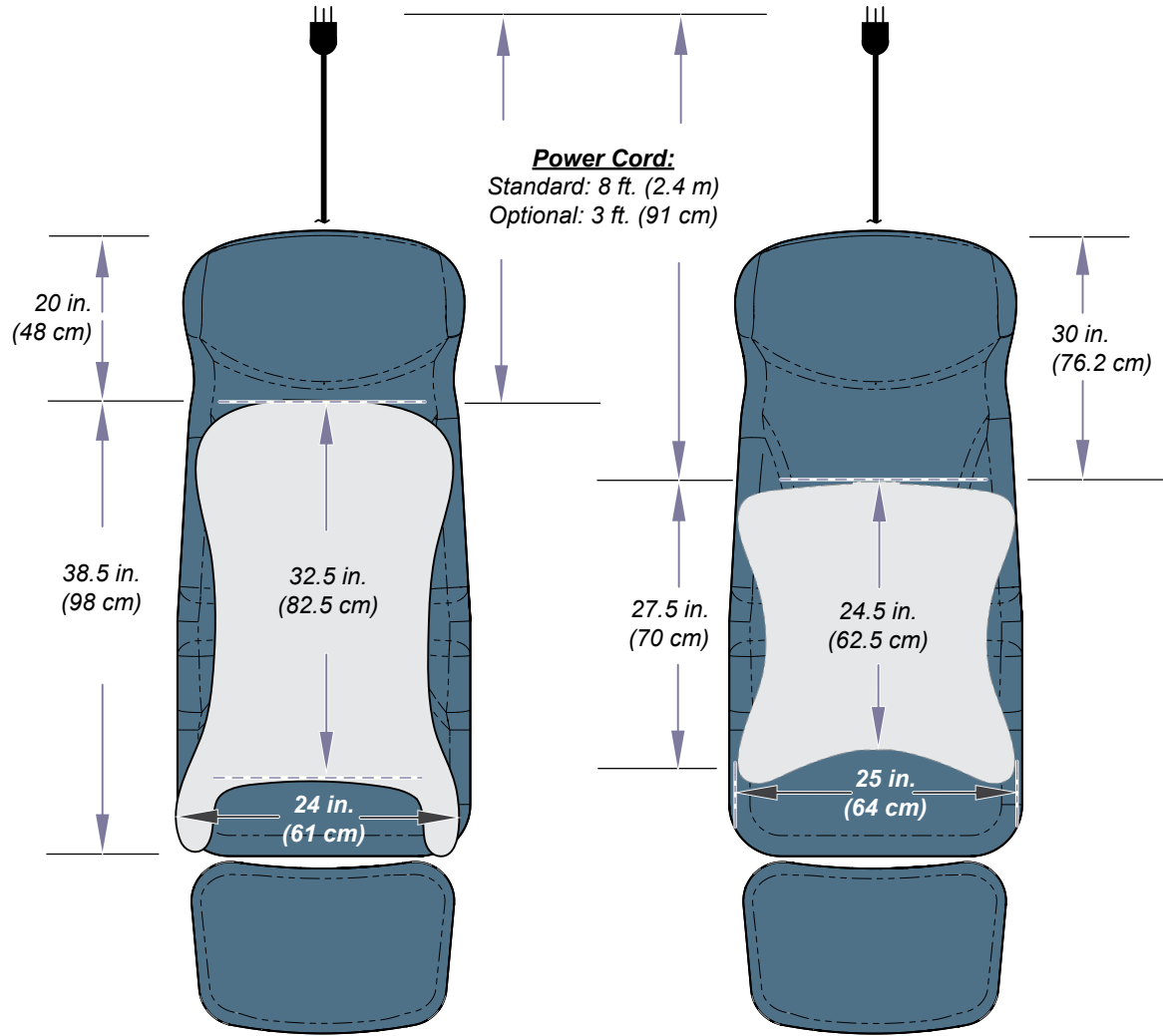
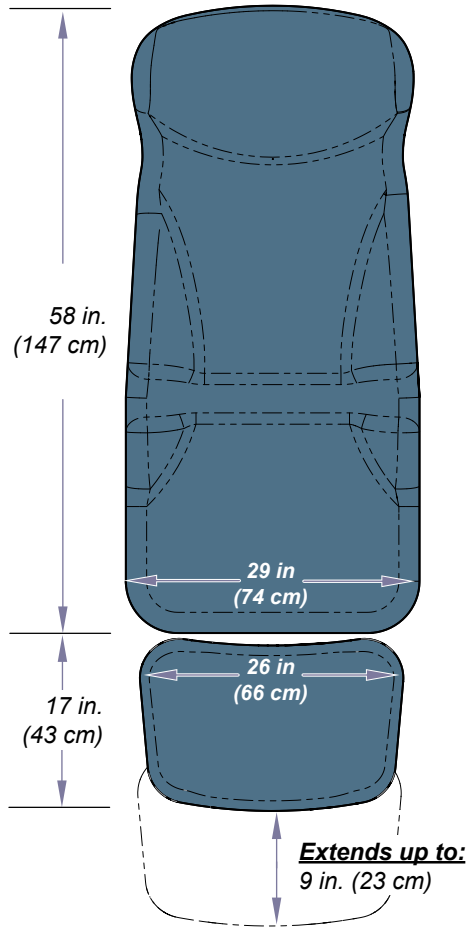
**Rotational Base  
V1702161 thru Present**

MA98931



**Standard Base**

**Rotational Base**



**Standard Base**

**Rotational Base**

MA8041i