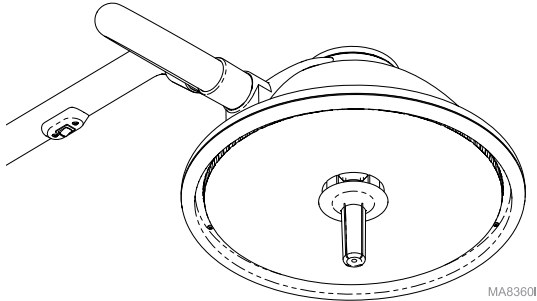




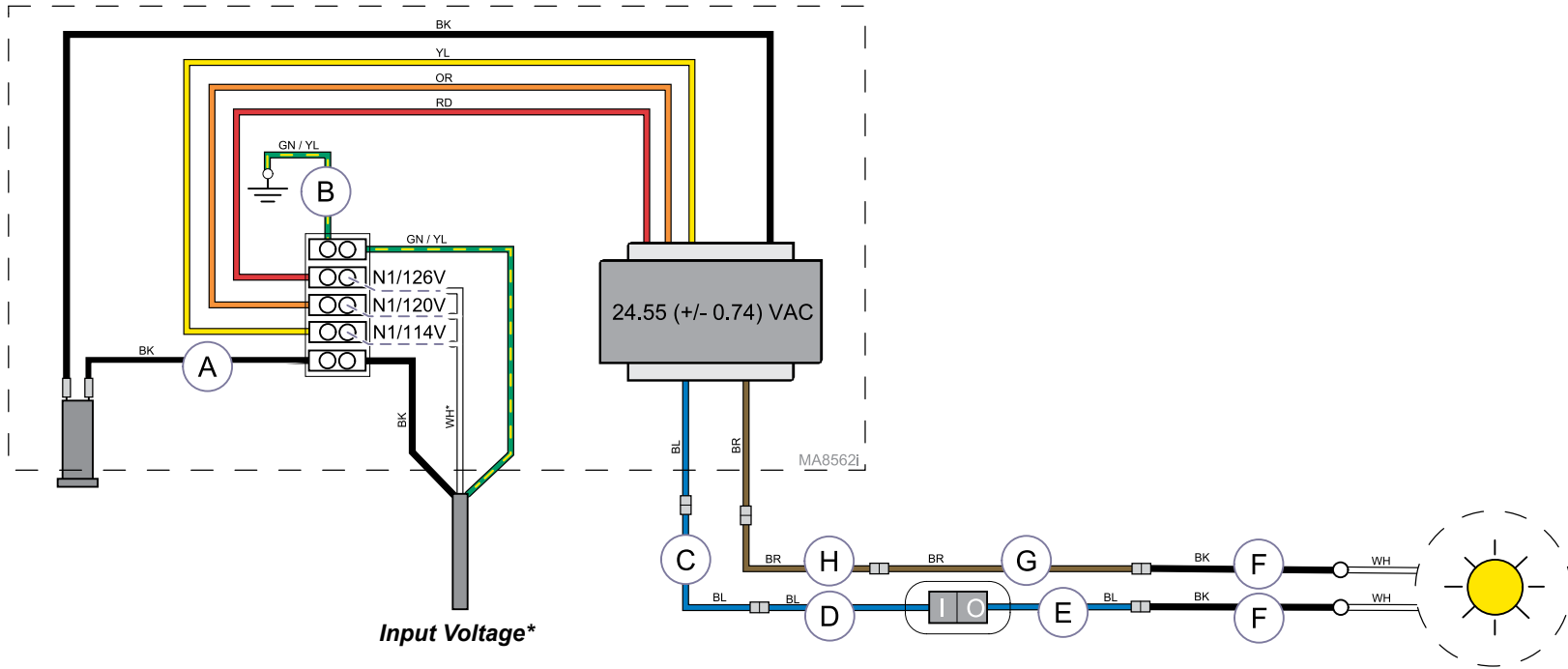
Wiring Diagrams: 355 Exam Lights (24V)



Attention
 This document contains wiring and/or tubing diagrams for the models listed in the table below. Locate the desired model / serial number, then click on the blue text to view the desired diagram.

| Lighthead | Mounting Style | Model Numbers | Serial Numbers: | Refer To: |
|-----------|------------------|--|-----------------|---|
| 355 | Ceiling (Single) | 120V: 355 (-025 / -026 / -028 / -029) | all | 355 Ceiling Light (120V / Single) |
| | | 220V: 355 (-027 / -030 / -038 / -039) | all | 355 Ceiling Light (220V / Single) |
| | Ceiling (Double) | 120V: 355 (-025 / -026 / -028 / -029) | all | 355 Ceiling Light (120V / Double) |
| | | 220V: 355 (-027 / -030 / -038 / -039) | all | 355 Ceiling Light (220V / Double) |
| | Mobile | 120V: 355 (-022 / -023) | all | 355 Mobile Light (120V) |
| | | 220V: 355 (-024 / -037) | all | 355 Mobile Light (220V) |
| | Wall Mtd. | 355 (-042) | all | 355 Wall Mtd. Light |

TP209 Rev. A



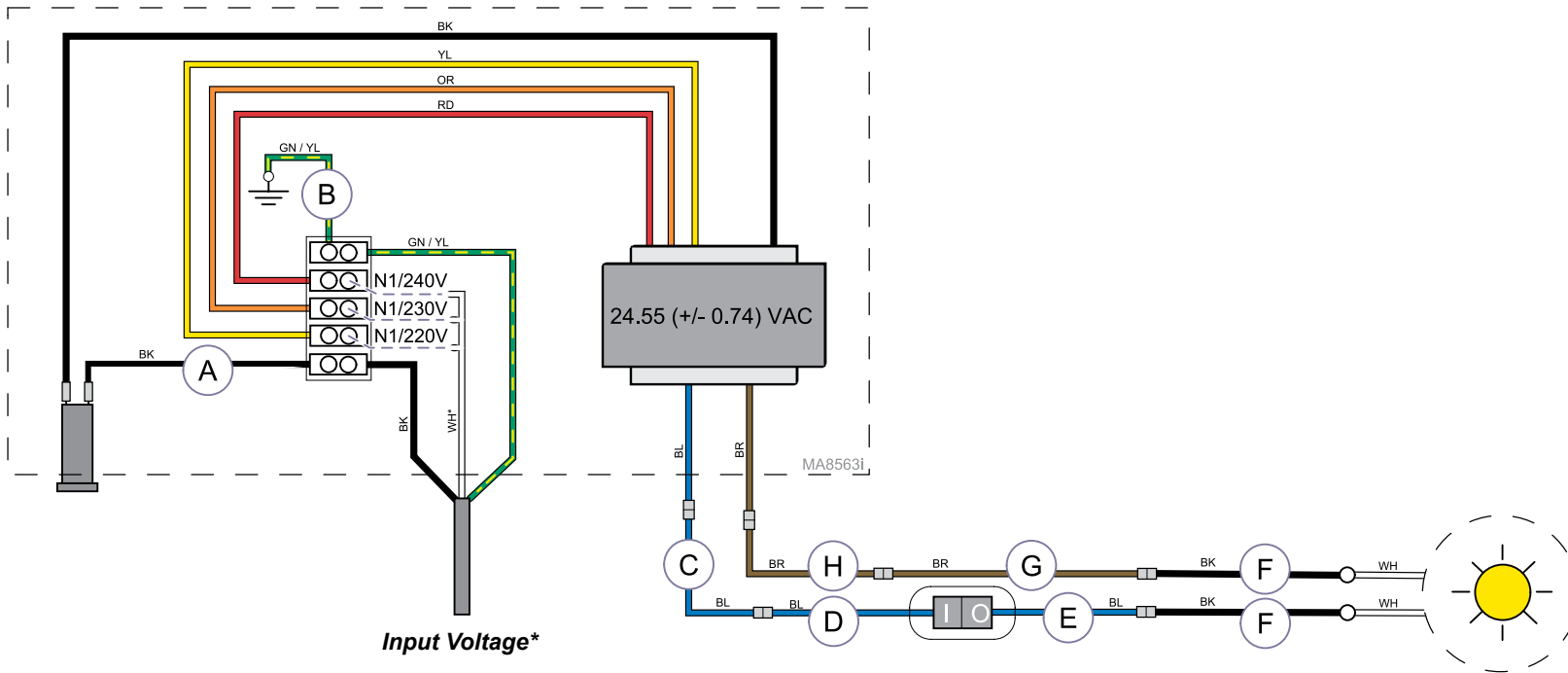
Input Voltage*

* **ATTENTION:** Measure the input voltage.
Connect the WHITE wire to the proper terminal based on the input voltage reading.

| Input Voltage: | Use Terminal Labeled: |
|--------------------|-----------------------|
| ≤ 117.0 VAC | N1 / 114V |
| 117.1 to 123.0 VAC | N1 / 120V |
| ≥ 123.1 VAC | N1 / 126V |

| Wiring Diagram: 355 Ceiling Light (120V / Single) | | |
|--|-----------------|-------------|
| Item | Description | Part Number |
| A | Black Wire | 015-1170-02 |
| B | Ground Wire | 015-1170-04 |
| C | Blue Wire: | |
| | for 8' ceiling | 015-0708-18 |
| | for 9' ceiling | 015-0708-16 |
| | for 10' ceiling | 015-0708-32 |
| D | Blue Wire | 015-0708-13 |
| E | Blue Wire | 015-0708-12 |
| F | Black Wire | 015-0737-04 |
| G | Brown Wire | 015-0708-14 |
| H | Brown Wire: | |
| | for 8' ceiling | 015-0708-17 |
| | for 9' ceiling | 015-0708-15 |
| | for 10' ceiling | 015-0708-31 |

| Light Model(s): | Mounting Style: | Serial Numbers: |
|---------------------------------|-----------------------|-----------------|
| 355 (-025 / -026 / -028 / -029) | Ceiling Mtd. (Single) | all |



Input Voltage*

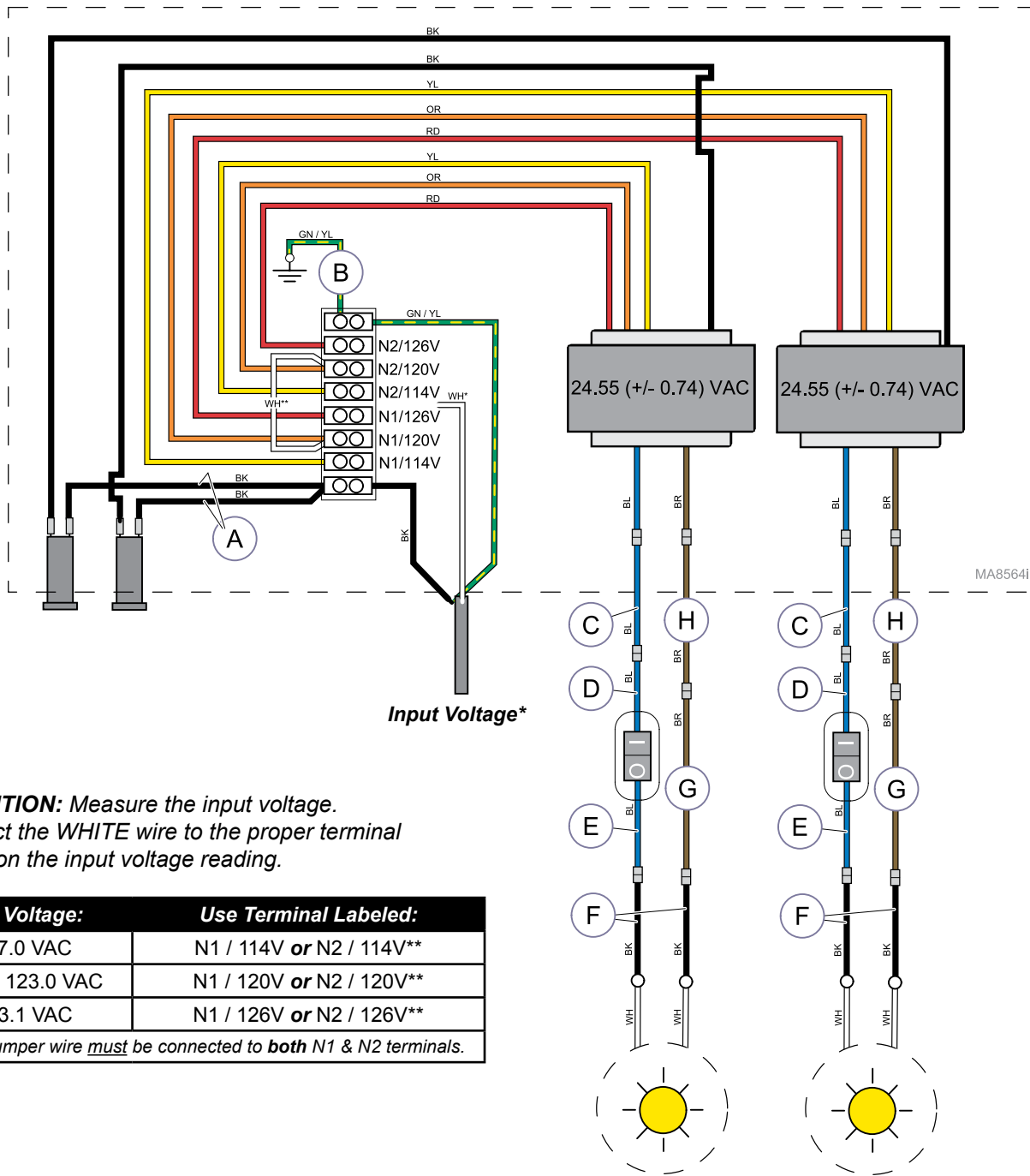
* **ATTENTION:** Measure the input voltage.
Connect the **WHITE** wire to the proper terminal
based on the input voltage reading.

| Input Voltage: | Use Terminal Labeled: |
|--------------------|-----------------------|
| ≤ 225 VAC | N1 / 220V |
| 225.1 to 235.0 VAC | N1 / 230V |
| ≥ 235.1 VAC | N1 / 240V |

**Wiring Diagram:
355 Ceiling Light (220V / Single)**

| Item | Description | Part Number |
|------|-----------------|-------------|
| A | Black Wire | 015-1170-02 |
| B | Ground Wire | 015-1170-04 |
| C | Blue Wire: | |
| | for 8' ceiling | 015-0708-18 |
| | for 9' ceiling | 015-0708-16 |
| | for 10' ceiling | 015-0708-32 |
| D | Blue Wire | 015-0708-13 |
| E | Blue Wire | 015-0708-12 |
| F | Black Wire | 015-0737-04 |
| G | Brown Wire | 015-0708-14 |
| H | Brown Wire: | |
| | for 8' ceiling | 015-0708-17 |
| | for 9' ceiling | 015-0708-15 |
| | for 10' ceiling | 015-0708-31 |

| Light Model(s): | Mounting Style: | Serial Numbers: |
|---------------------------------|-----------------------|-----------------|
| 355 (-027 / -030 / -038 / -039) | Ceiling Mtd. (Single) | all |



* **ATTENTION:** Measure the input voltage. Connect the WHITE wire to the proper terminal based on the input voltage reading.

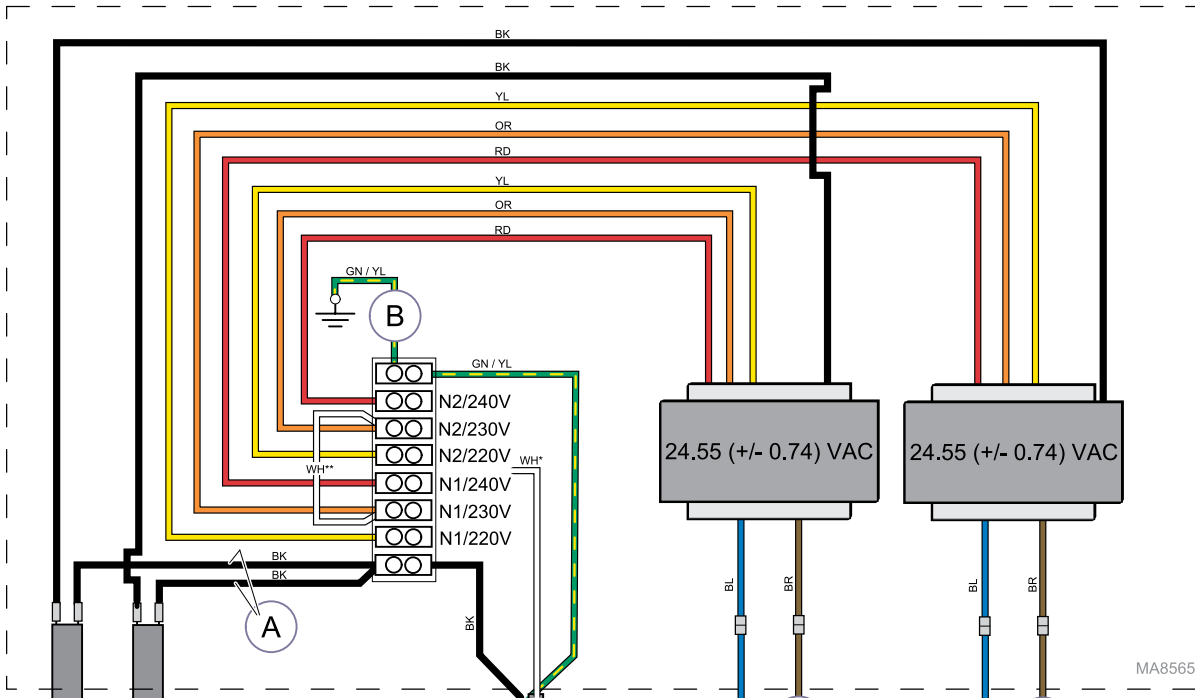
| Input Voltage: | Use Terminal Labeled: |
|--------------------|---------------------------------|
| ≤ 117.0 VAC | N1 / 114V or N2 / 114V** |
| 117.1 to 123.0 VAC | N1 / 120V or N2 / 120V** |
| ≥ 123.1 VAC | N1 / 126V or N2 / 126V** |

** White jumper wire must be connected to **both** N1 & N2 terminals.

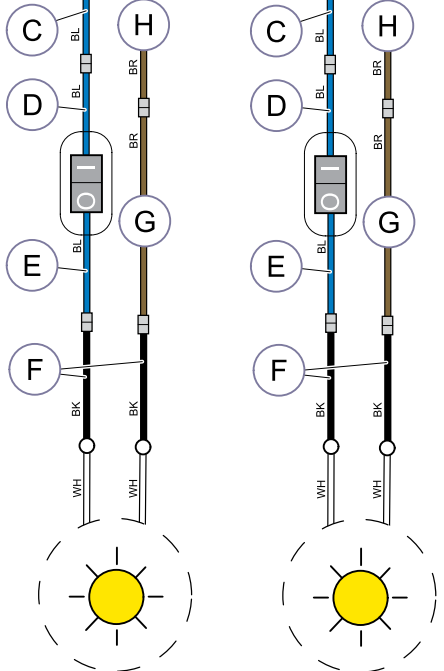
| Light Model(s): | Mounting Style: | Serial Numbers: |
|---------------------------------|-----------------------|-----------------|
| 355 (-031 / -032 / -034 / -035) | Ceiling Mtd. (Double) | all |

**Wiring Diagram:
355 Ceiling Light (120V / Double)**

| Item | Description | Part Number |
|------|-----------------|-------------|
| A | Black Wire | 015-1170-02 |
| B | Ground Wire | 015-1170-04 |
| C | Blue Wire: | |
| | for 8' ceiling | 015-0708-18 |
| | for 9' ceiling | 015-0708-16 |
| | for 10' ceiling | 015-0708-32 |
| D | Blue Wire | 015-0708-13 |
| E | Blue Wire | 015-0708-12 |
| F | Black Wire | 015-0737-04 |
| G | Brown Wire | 015-0708-14 |
| H | Brown Wire: | |
| | for 8' ceiling | 015-0708-17 |
| | for 9' ceiling | 015-0708-15 |
| | for 10' ceiling | 015-0708-31 |



Input Voltage*



* **ATTENTION:** Measure the input voltage. Connect the WHITE wire to the proper terminal based on the input voltage reading.

| Input Voltage: | Use Terminal Labeled: |
|--------------------|--------------------------|
| ≤ 225 VAC | N1 / 220V or N2 / 220V** |
| 225.1 to 235.0 VAC | N1 / 230V or N2 / 230V** |
| ≥ 235.1 VAC | N1 / 240V or N2 / 240V** |

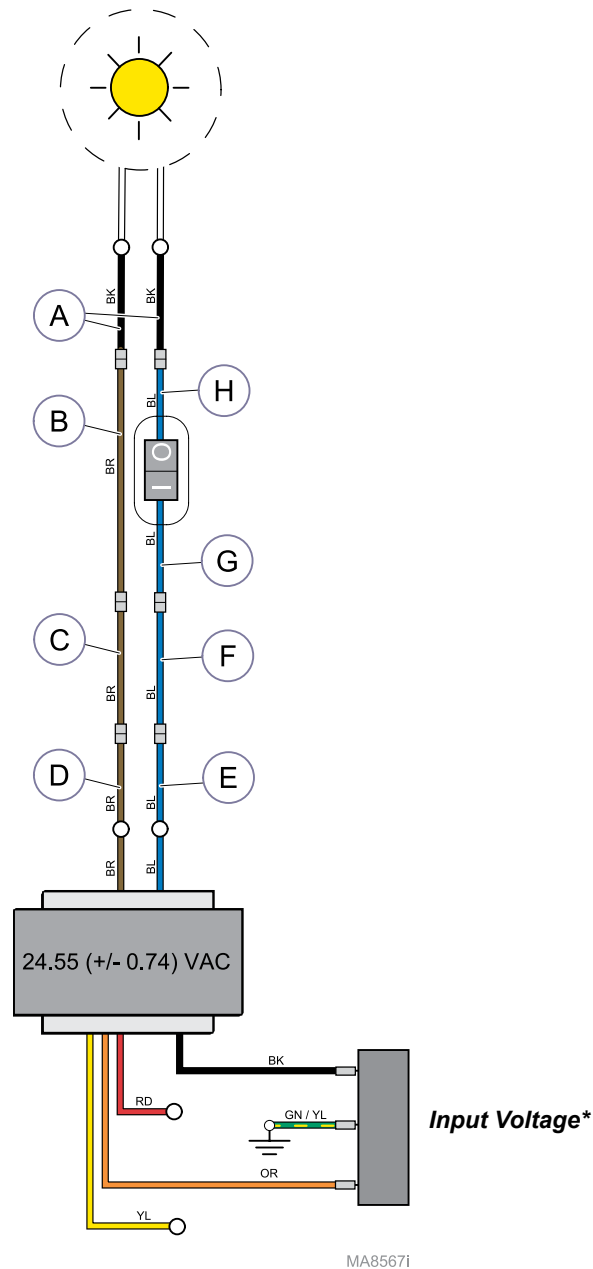
** White jumper wire must be connected to **both** N1 & N2 terminals.

**Wiring Diagram:
355 Ceiling Light (220V / Double)**

| Item | Description | Part Number |
|------|-------------------------------|-------------|
| A | Black Wire | 015-1170-02 |
| B | Ground Wire | 015-1170-04 |
| C | Blue Wire: for 8' ceiling | 015-0708-18 |
| | for 9' ceiling | 015-0708-16 |
| | for 10' ceiling | 015-0708-32 |
| D | Blue Wire | 015-0708-13 |
| E | Blue Wire | 015-0708-12 |
| F | Black Wire | 015-0737-04 |
| G | Brown Wire | 015-0708-14 |
| H | Brown Wire: for 8' ceiling | 015-0708-17 |
| | for 9' ceiling | 015-0708-15 |
| | for 10' ceiling | 015-0708-31 |

| Light Model(s): | Mounting Style: | Serial Numbers: |
|---------------------------------|-----------------------|-----------------|
| 355 (-033 / -036 / -040 / -041) | Ceiling Mtd. (Double) | all |

TP209 Rev. A



* **ATTENTION:** Measure the input voltage.
Connect the proper power lead to the transformer terminal based on the input voltage reading.

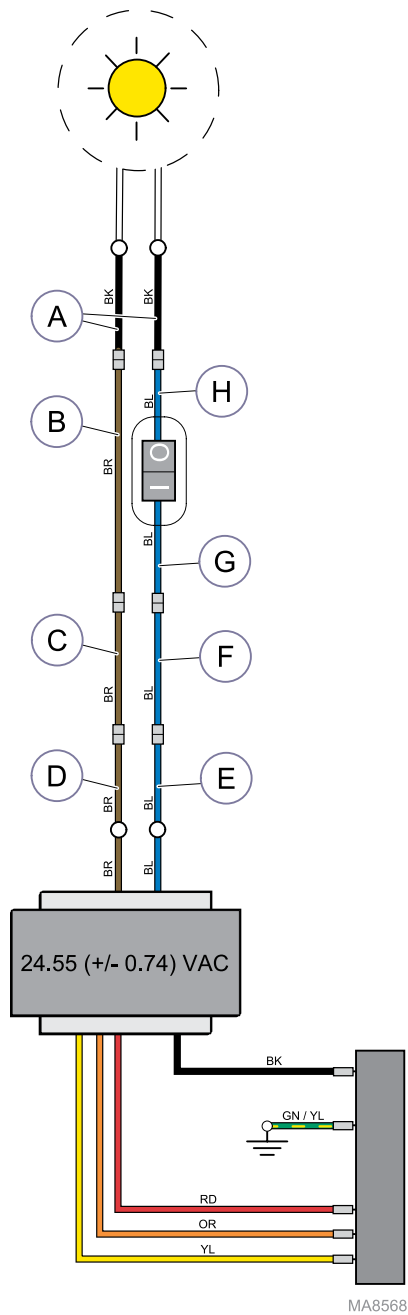
| Input Voltage: | Power Lead: |
|--------------------|-------------|
| ≤ 117.0 VAC | YELLOW |
| 117.1 to 123.0 VAC | ORANGE |
| ≥ 123.1 VAC | RED |

**Wiring Diagram:
355 Mobile Light (120V)**

| Item | Description | Part Number |
|------|-------------|-------------|
| A | Black Wire | 015-0737-04 |
| B | Brown Wire | 015-0706-14 |
| C | Brown Wire | 015-0708-15 |
| D | Brown Wire | 015-0708-19 |
| E | Blue Wire | 015-0708-20 |
| F | Blue Wire | 015-0708-16 |
| G | Blue Wire | 015-0708-13 |
| H | Blue Wire | 015-0708-12 |

| Light Model(s): | Mounting Style: | Serial Numbers: |
|-------------------|-----------------|-----------------|
| 355 (-022 / -023) | Mobile | all |

TP209 Rev. A

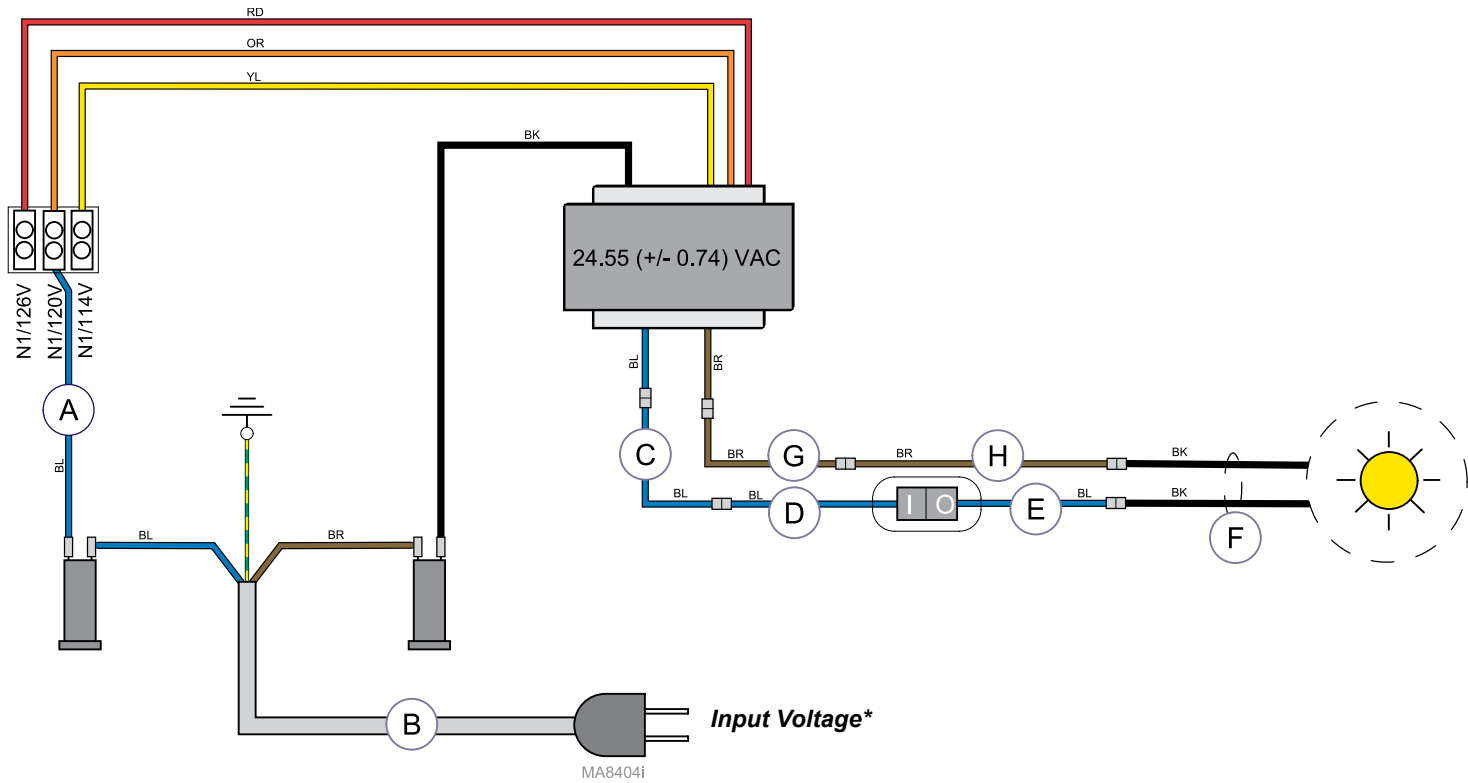


* **ATTENTION:** Measure the input voltage. If the voltage showing in the fuse holder window does not match the measurement, refer to the installation guide or user manual for adjustment procedure.

**Wiring Diagram:
355 Mobile Light (220V)**

| Item | Description | Part Number |
|------|-------------|-------------|
| A | Black Wire | 015-0737-04 |
| B | Brown Wire | 015-0706-14 |
| C | Brown Wire | 015-0708-15 |
| D | Brown Wire | 015-0708-19 |
| E | Blue Wire | 015-0708-20 |
| F | Blue Wire | 015-0708-16 |
| G | Blue Wire | 015-0708-13 |
| H | Blue Wire | 015-0708-12 |

| Light Model(s): | Mounting Style: | Serial Numbers: |
|-------------------|-----------------|-----------------|
| 355 (-024 / -037) | Mobile | all |



* **ATTENTION:** Measure the input voltage.
Connect the BLUE wire to the proper terminal
based on the input voltage reading.












| Input Voltage: | Use Terminal Labeled: |
|--------------------|-----------------------|
| ≤ 117.0 VAC | N1 / 114V |
| 117.1 to 123.0 VAC | N1 / 120V |
| ≥ 123.1 VAC | N1 / 126V |

**Wiring Diagram:
355 Wall Mtd. Light**

| Item | Description | Part Number |
|------|----------------------------------|-------------|
| A | Blue Wire (F2 to terminal block) | 015-0737-10 |
| B | Power Cord | 002-1553-00 |
| C | Blue Wire | 015-0708-38 |
| D | Blue Wire | 015-0708-13 |
| E | Blue Wire | 015-0708-12 |
| F | Black Wire Harness (from bulb) | 015-0737-04 |
| G | Brown Wire | 015-0708-37 |
| H | Brown Wire | 015-0708-14 |

| Light Model(s): | Mounting Style: | Serial Numbers: |
|-----------------|-----------------|-----------------|
| 355 (-042) | Wall Mtd. | all |

Color Abbreviation Chart

| | Item | Color (English) | Farbe (Deutsch) | Couleur (Français - Europe) | Color (español europeo) | Colore (italiano) | Color (others) |
|---|-------|--------------------|------------------------|--------------------------------|----------------------------|----------------------|-------------------|
|  | BK | Black | Schwarz | Noir | Negro | Nero | |
|  | BL | Blue | Blau | Bleu | Azul | Blu | |
|  | BR | Brown | Braun | Marron | Marrón | Marrone | |
|  | CL | Clear | Durchsichtig | Incolore | Transparente | Trasparente | |
|  | GN | Green | Grün | Vert | Verde | Verde | |
|  | GY | Grey | Grau | Gris | Gris | Grigio | |
|  | OR | Orange | Orange | Orange | Naranja | Arancione | |
|  | PR | Purple | Purpur | Pourpre | Morado | Porpora | |
|  | CL/PR | Clear Purple | Durchsichtig Purpur | Incolore Pourpre | Transparente Morado | Trasparente Porpora | |
|  | RD | Red | Rot | Rouge | Rojo | Rosso | |
|  | WH | White | Wei | Blanc | Blanco | Bianco | |
|  | YL | Yellow | Gelb | Jaune | Amarillo | Giallo | |
|  | PK | Pink | Pink | Rose | Rosa | Rosa | |
|  | TN | Tan | Hellbraun | Fauve | Marrón claro | Tanè (marrone scuro) | |
|  | BK/WH | Black/White | Schwarz / Wei | Noir / Blanc | Negro / Blanco | Bianco / Nero | |
|  | BL/WH | Blue/White | Blau / Wei | Bleu / Blanc | Azul / Blanco | Blu / Bianco | |
|  | BR/WH | Brown/White | Braun / Wei | Marron / Blanc | Marrón / Blanco | Marrone / Bianco | |
|  | CL/BK | Clear / Black | Durchsichtig / Schwarz | Incolore / Noir | Transparente / Negro | Trasparente / Nero | |
|  | GN/WH | Green / White | Grün / Wei | Vert / Blanc | Verde / Blanco | Verde / Bianco | |
|  | GN/YL | Green / Yellow | Grün / Gelb | Vert / Jaune | Verde / Amarillo | Verde / Giallo | |
|  | OR/WH | Orange / White | Orange / Wei | Orange / Blanc | Naranja / Blanco | Arancione / Bianco | |
|  | PR/WH | Purple / White | Purpur / Wei | Pourpre / Blanc | Morado / Blanco | Porpora / Bianco | |
|  | RD/WH | Red / White | Rot / Wei | Rouge / Blanc | Rojo / Blanco | Rosso / Bianco | |
|  | VI/WH | Violet / White | Violett / Wei | Violet / Blanc | Violeta / Blanco | Viola / Bianco | |
|  | YL/WH | Yellow / White | Gelb / Wei | Jaune / Blanc | Amarillo / Blanco | Giallo / Bianco | |
|  | YL/GN | Yellow / Green | Gelb / Grün | Jaune / Vert | Amarillo / Verde | Giallo / Verde | |
|  | YL/BK | Yellow / Black | Gelb / Schwarz | Jaune / Noir | Amarillo / Negro | Giallo / Nero | |

TP209 Rev. A