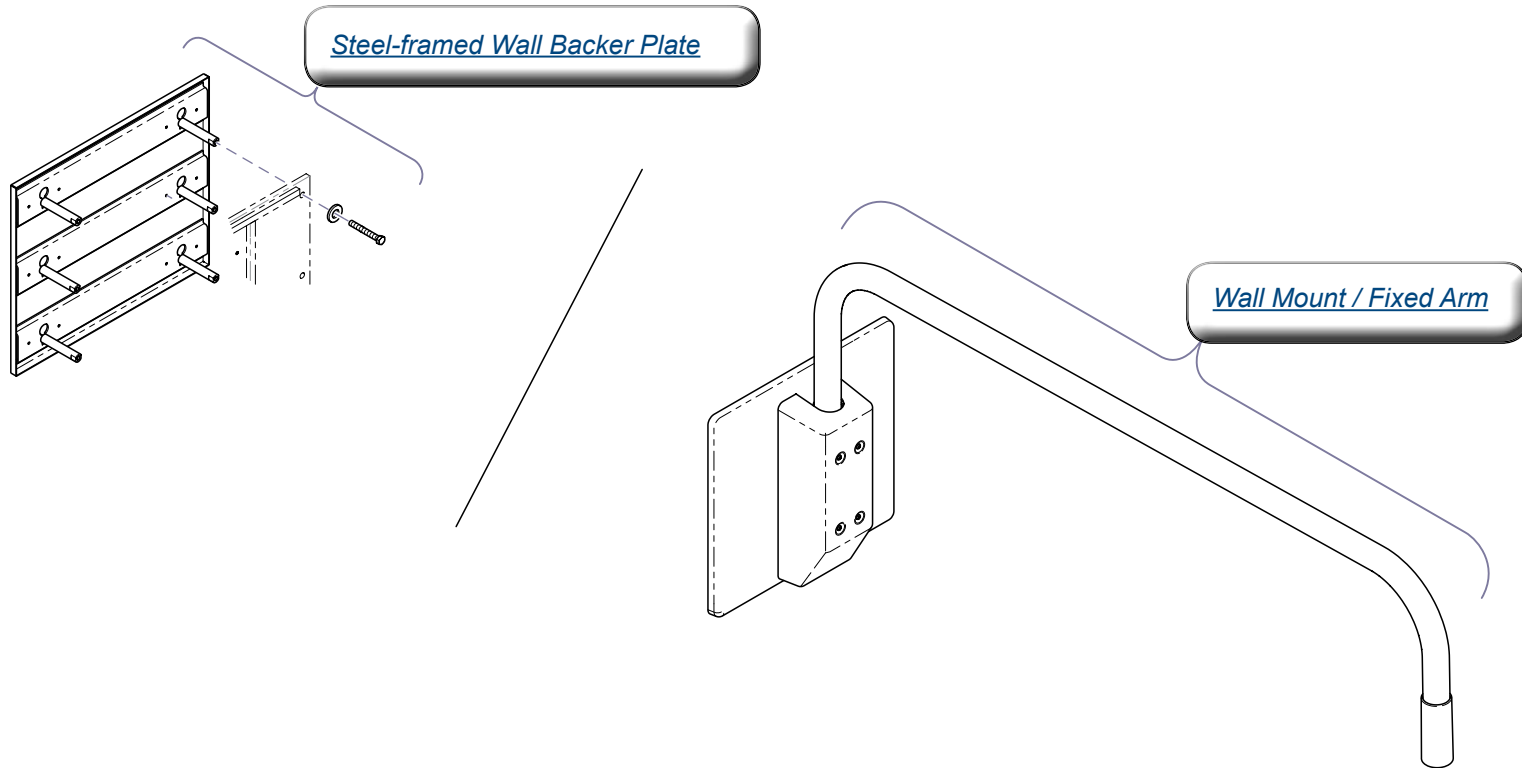
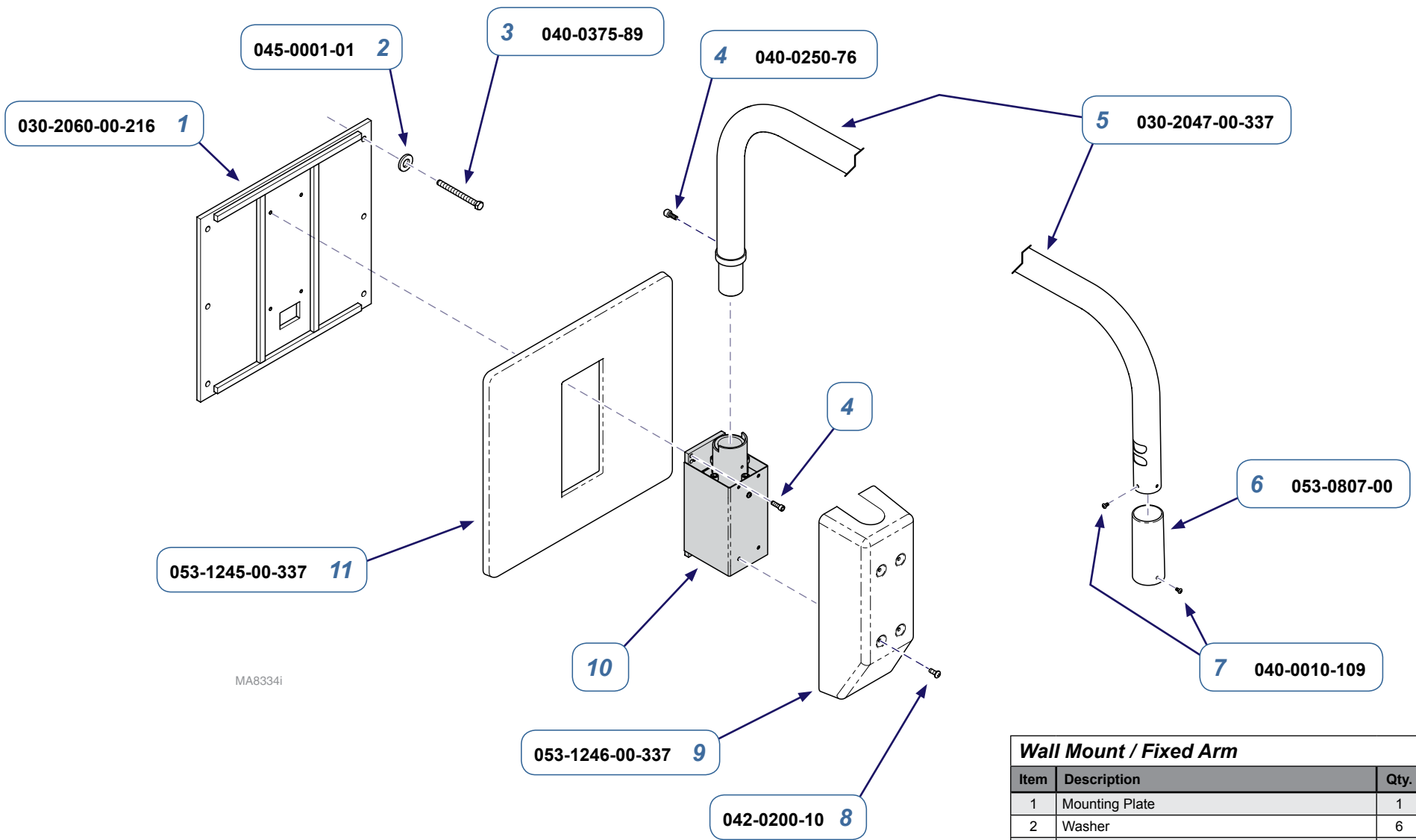


Wall Mount / Fixed Arm Components

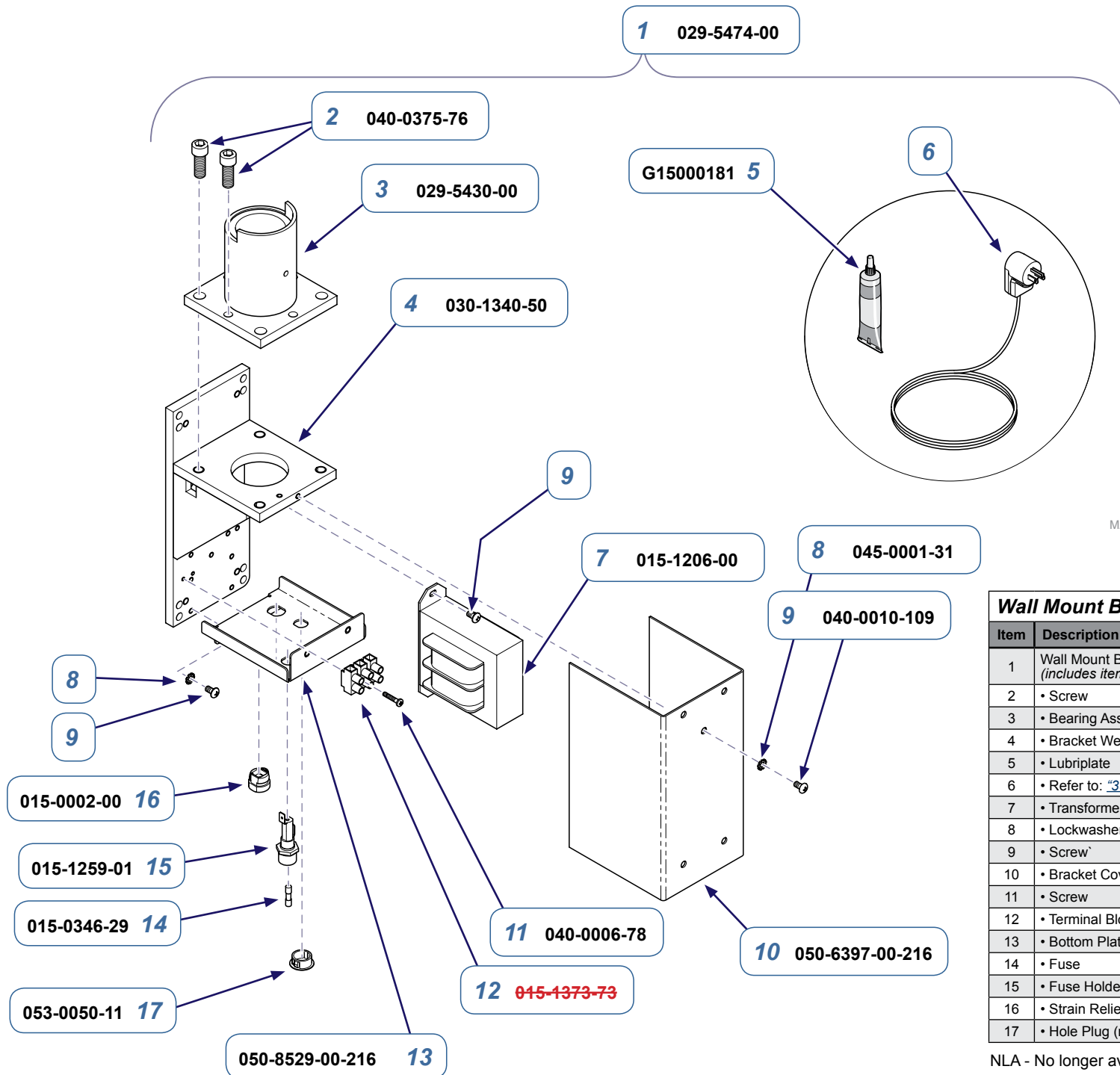


MA8431i



MA8334i

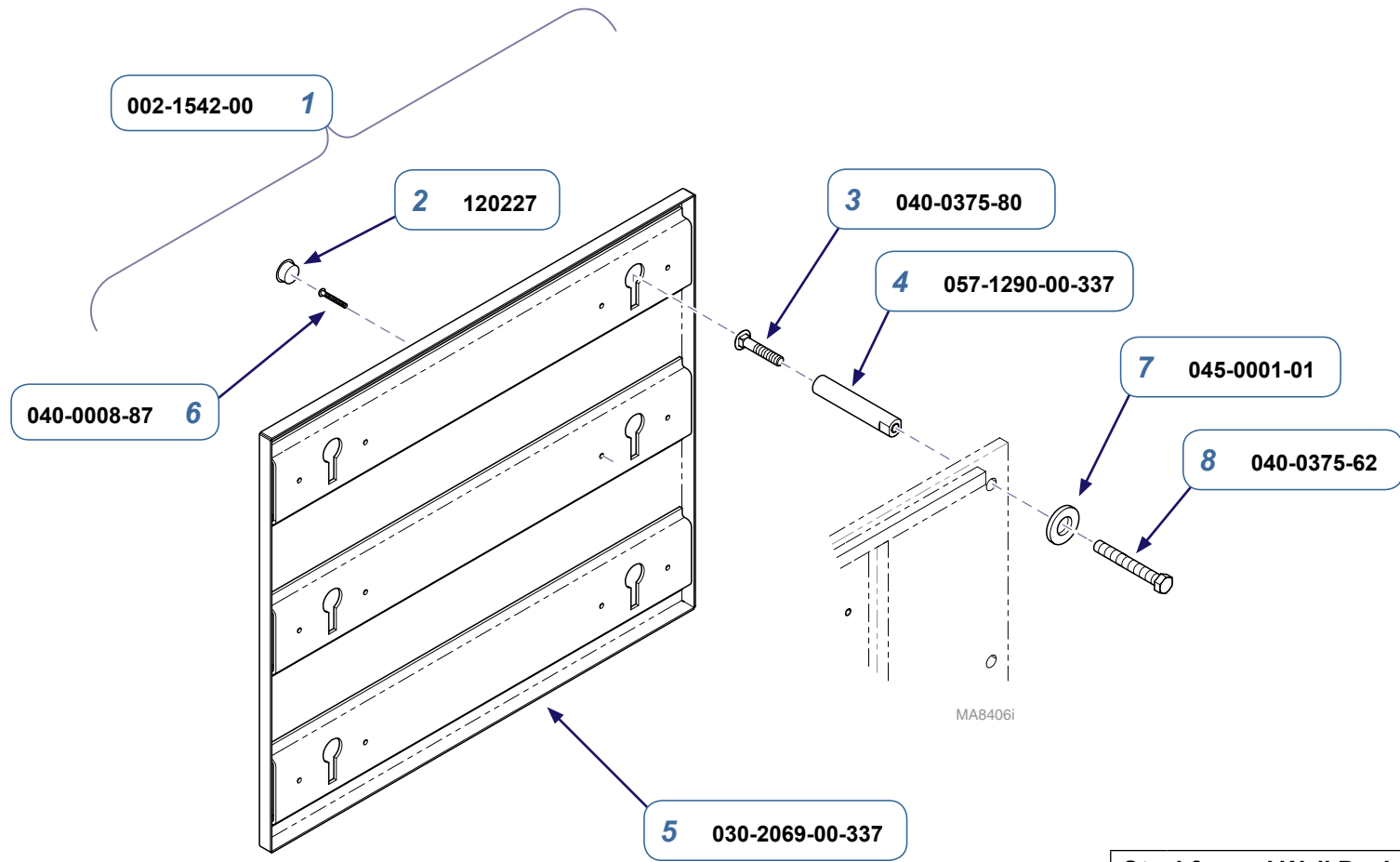
| Wall Mount / Fixed Arm | | |
|-------------------------------|---------------------------------------|------|
| Item | Description | Qty. |
| 1 | Mounting Plate | 1 |
| 2 | Washer | 6 |
| 3 | Lag Screw | 6 |
| 4 | Screw | 5 |
| 5 | Fixed Arm | 1 |
| 6 | Sleeve | 1 |
| 7 | Screw | 3 |
| 8 | Screw | 4 |
| 9 | Bracket Cover | 1 |
| 10 | Refer to: <i>"Wall Mount Bracket"</i> | Ref |
| 11 | Cover | 1 |



MA8335-1i

| Wall Mount Bracket | | |
|--------------------|---|------|
| Item | Description | Qty. |
| 1 | Wall Mount Bracket Assembly (includes items 2 thru 17) | 1 |
| 2 | • Screw | 8 |
| 3 | • Bearing Assembly | 1 |
| 4 | • Bracket Weldment | 1 |
| 5 | • Lubriplate | 1 |
| 6 | • Refer to: "354 / 355 Wiring Diagrams" | 1 |
| 7 | • Transformer | 1 |
| 8 | • Lockwasher | 2 |
| 9 | • Screw | 5 |
| 10 | • Bracket Cover | 1 |
| 11 | • Screw | 2 |
| 12 | • Terminal Block | NLA |
| 13 | • Bottom Plate | 1 |
| 14 | • Fuse | 2 |
| 15 | • Fuse Holder | 2 |
| 16 | • Strain Relief | 1 |
| 17 | • Hole Plug (newer units only) | 1 |

NLA - No longer available



| Steel-framed Wall Backer Plate | | |
|---------------------------------------|---|------|
| Item | Description | Qty. |
| 1 | Steel-framed Wall Backer Plate Assy. (includes items 2 thru 6) | 1 |
| 2 | • Hole Plug | 4 |
| 3 | • Round Head Screw | 6 |
| 4 | • Standoff | 6 |
| 5 | • Backer Plate | 1 |
| 6 | • Screw (3/8"-16 x 2") | 2 |
| 7 | Washer | 6 |
| 8 | Screw | 6 |