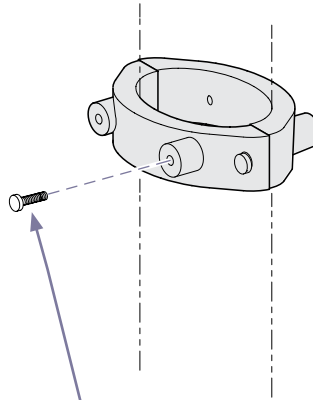
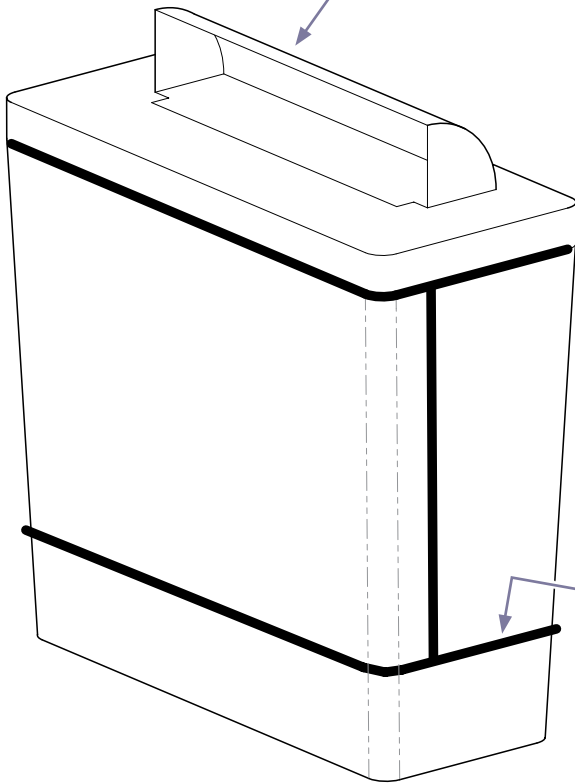


**5** Key5

**3** 89651 or Contact authorized Midmark Dealer.  
(Reference manufacturer's # on container when ordering.)



**4** AS-212

**1** Accessory Mounting Brackets 004-0957-99

**2** 8963

MA8142i

**Sharps Container Accessory - 9A450001**  
(includes items 1 thru 5)

Item	Description	Qty.
1	Refer to: "Accessory Mounting Brackets"	Ref
2	Wire Hanger	1
3	Sharps Container	1
4	Screw (#10-24 x 7/8")	2
5	Key	2