



Transformer Replacement

Applies to:
354 Lights (ceiling / mobile / wall models)
355 Lights (ceiling / mobile / wall models)
354 / 355 Combo Lights


Special Tools:
multimeter

Language of origin: English

Note
The procedure for Ceiling mounted models begins on page 1.
For Mobile models, go to page 3.
For Wall mounted models, go to page 6.

Ceiling models:

Note
In some installations, it may be necessary to remove the down tube in order to access the junction box.

 **WARNING**
Disconnect power to the light before performing the following procedure. Failure to comply may result in electric shock.

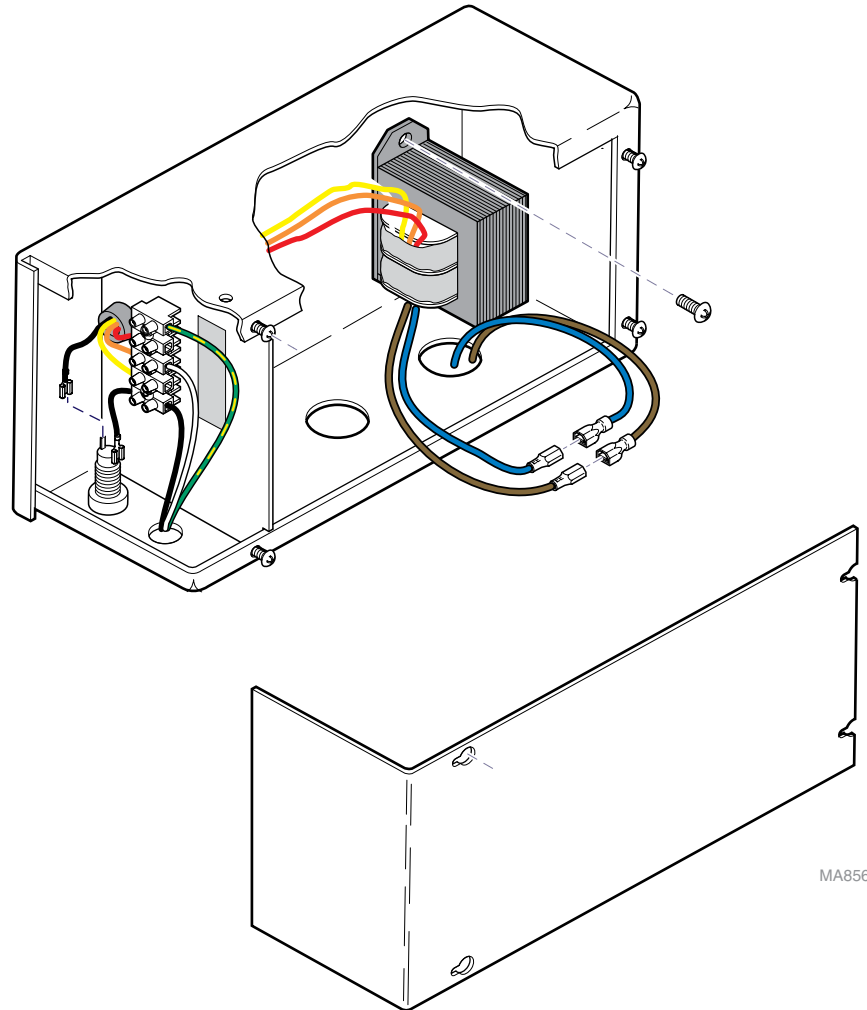
Step 1: Remove Transformer.

- A) Loosen four screws / remove junction box cover.
- B) Tag / disconnect all transformer wiring.
- C) Remove two screws and transformer.

Step 2: Install Transformer.

- A) Position transformer, secure with two screws.
- B) Connect blue and brown transformer wires as shown.
- C) Feed remaining transformer wires thru bushing.
- D) Connect yellow, orange, and red wires to appropriately marked terminals on terminal block*.
- E) Connect black wire to fuse holder.

*Note: Early models do not have a terminal block. The input wire being used will be connected to the neutral wire with a wire nut. The procedure is similar.



TP200 Rev. A

Ceiling models - continued:



WARNING

The following step requires power to be connected. Use caution when performing this step. Failure to comply may result in electric shock.

Step 3: Measure input voltage.

- A) Use a multimeter to measure the input voltage to the light.
- B) Record this reading.



WARNING

Disconnect power to the light before performing the following procedure. Failure to comply may result in electric shock.

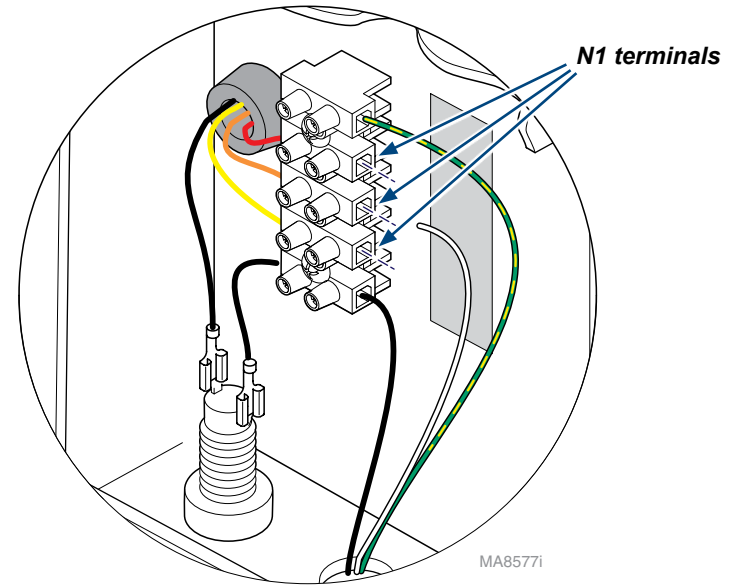
Step 4: Select proper input terminal.

- A) Connect the WHITE "neutral" wire from the facility wiring to the appropriate terminal. Refer to the chart on this page.

*Note: Early models do not have a terminal block. The input wire being used will be connected to the neutral wire with a wire nut. The procedure is similar.

Step 5: Install junction box cover.

(Illustration shows terminal block from SINGLE light)



120V Ceiling Mtd. Lights		
Input Voltage:	Single Lights Use Terminal Labeled:	Double / Combo Lights Use Terminal Labeled:
≤ 117.0 VAC	N1 / 114V	N1 / 114V or N2 / 114V**
117.1 to 123.0 VAC	N1 / 120V	N1 / 120V or N2 / 120V**
≥ 123.1 VAC	N1 / 126V	N1 / 126V or N2 / 126V**

** White jumper wire must be connected to **both** N1 & N2 terminals.

220V Ceiling Mtd. Lights		
Input Voltage:	Single Lights Use Terminal Labeled:	Double / Combo Lights Use Terminal Labeled:
≤ 225 VAC	N1 / 220V	N1 / 220V or N2 / 220V**
225.1 to 235.0 VAC	N1 / 230V	N1 / 230V or N2 / 230V**
≥ 235.1 VAC	N1 / 240V	N1 / 240V or N2 / 240V**

** White jumper wire must be connected to **both** N1 & N2 terminals.

Mobile models:

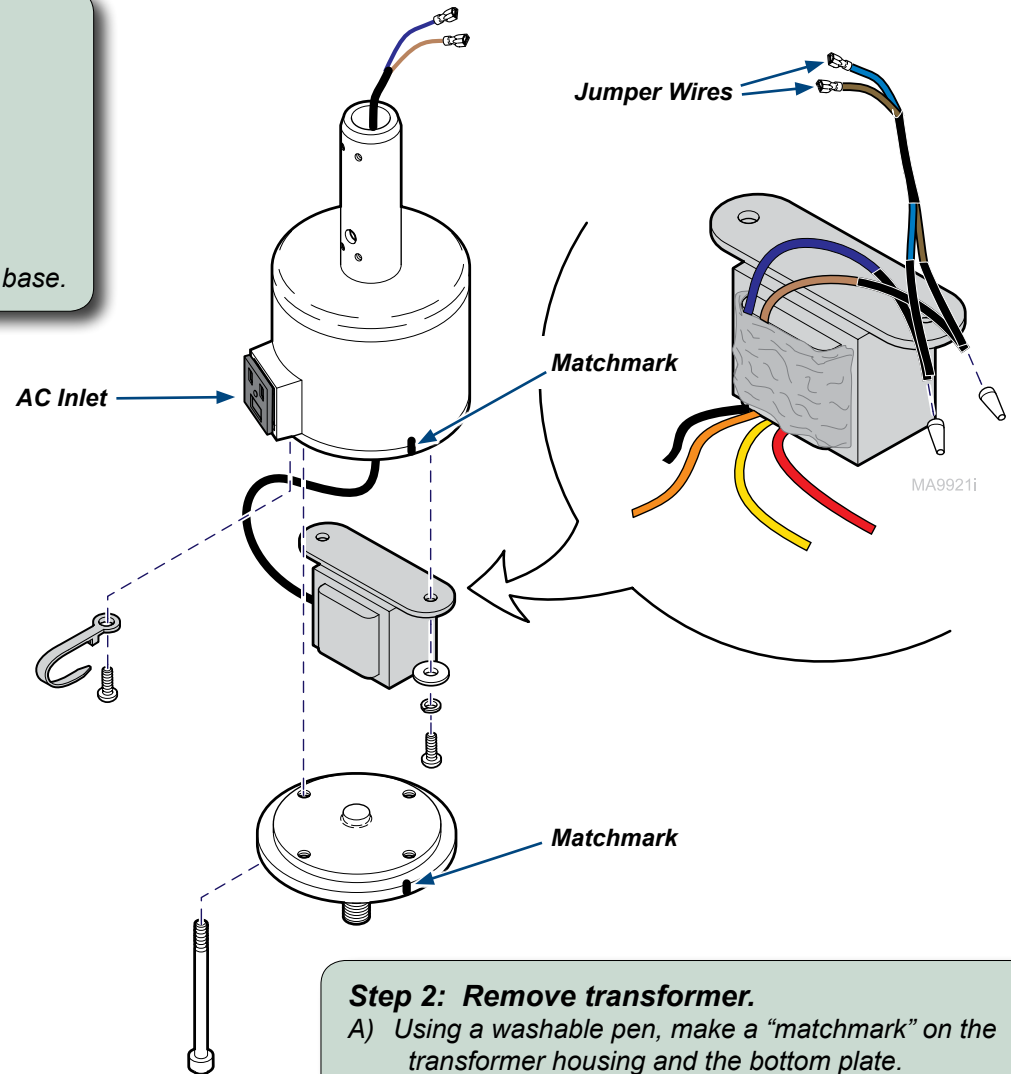
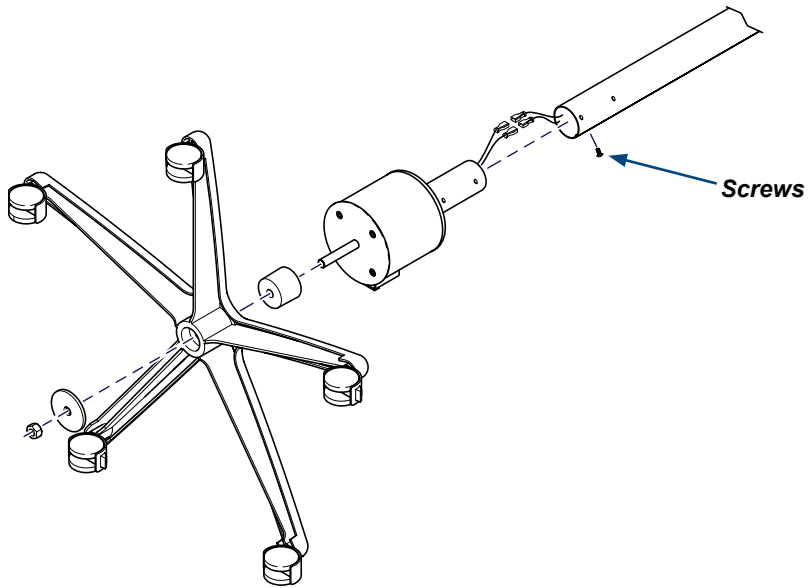


WARNING

Disconnect power to the light before performing the following procedure. Failure to comply may result in electric shock.

Step 1: Remove transformer housing.

- CAREFULLY lay light down on the floor.
- Remove four screws, then separate vertical tube.
- Disconnect two wires as shown.
- Remove nut, spacer disk, base insert and transformer housing from base.



Step 2: Remove transformer.

- Using a washable pen, make a "matchmark" on the transformer housing and the bottom plate.
- Remove four screws and bottom plate.
- Tag and disconnect wiring from AC inlet*.
- Remove two wire nuts and jumper wires.
- Remove screw securing cable tie. Then cut cable tie.
- Remove two screws and transformer.

*Note: 354 models with s/n prefixes KR and MC will have a fuse holder instead of the AC inlet. The procedure is similar.

Mobile models - continued:



WARNING

Disconnect power to the light before performing the following procedure. Failure to comply may result in electric shock.

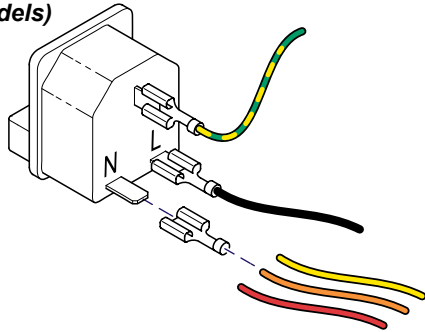
Step 1: Install transformer.

- A) Install heat shrink tubing over blue and brown transformer wires. Slide tubing over entire length of wires.
- B) Connect blue and brown transformer wires to corresponding jumper wires. Install two wire nuts.
- C) Gather blue and brown wires with cable tie, then feed jumper wires thru mounting tube of housing. Secure cable tie with screw.
- D) Position transformer, then secure with two screws, lockwashers, washers.

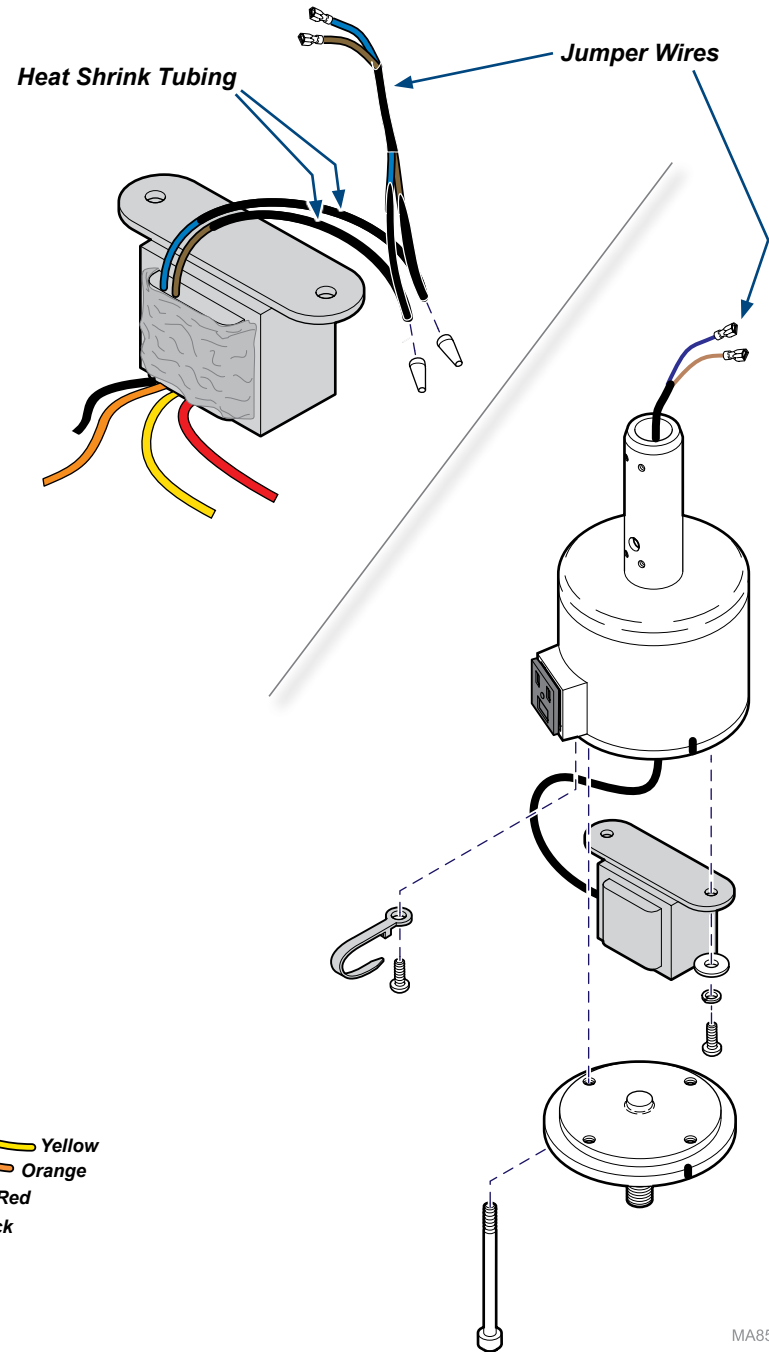
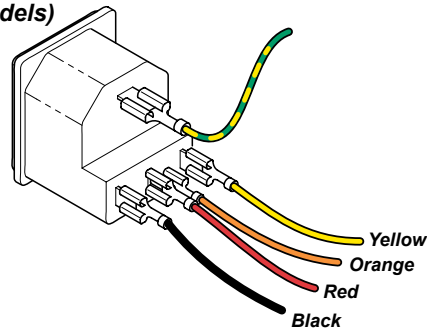
Step 2: Connect transformer wiring.

- A) Measure the input voltage at all receptacles where the light may be used. Calculate the average voltage of the receptacles.
- B) Install quick connect terminals on the appropriate wires, then connect wires to AC inlet as shown.
- C) Align matchmarks, then secure bottom plate with four screws.

**AC Inlet
(120V models)**



**AC Inlet
(220V models)**



120V Mobile models:

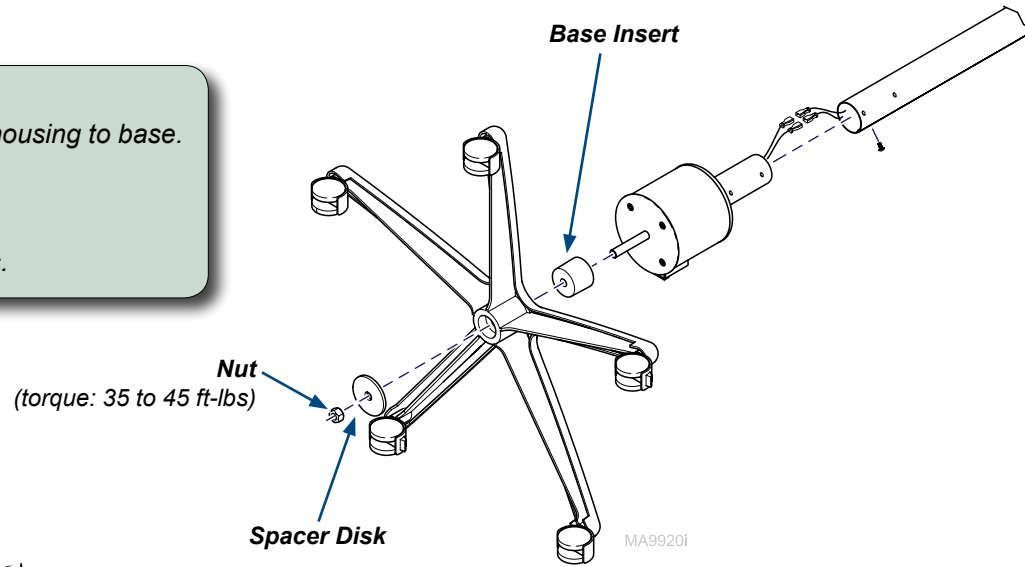
Input Voltage:	Power Lead:
≤ 117.0 VAC	YELLOW
117.1 to 123.0 VAC	ORANGE
≥ 123.1 VAC	RED

MA8576i

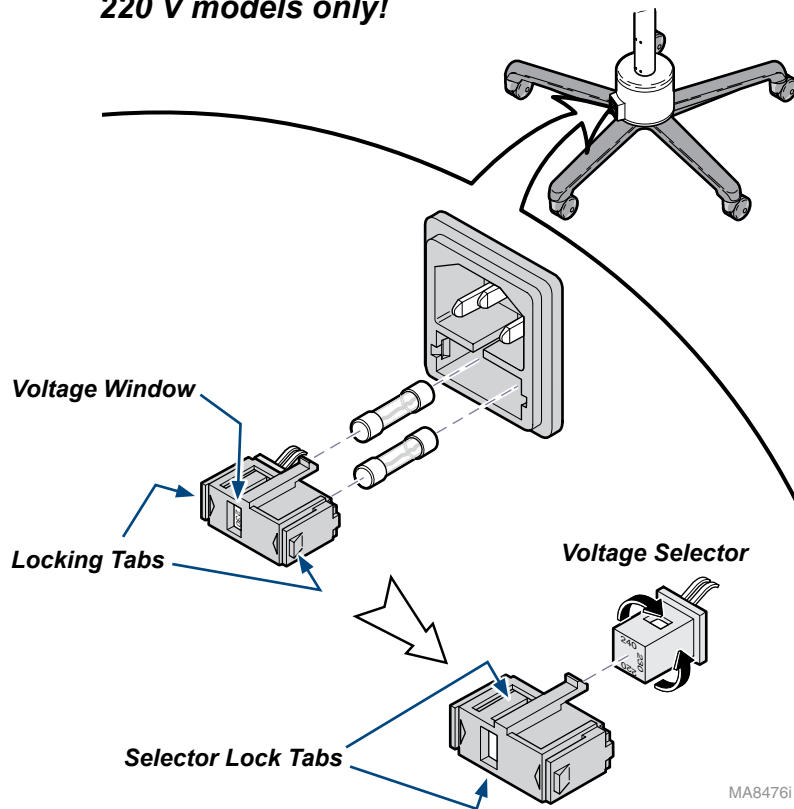
Mobile models - continued:

Step 3: Install transformer housing.

- A) Install spacer disk, base insert and transformer housing to base.
- B) Secure housing with hex nut.
Tighten nut to 35 to 45 ft-lbs (47.5 to 61 N·m)
- C) Connect wiring as shown.
- D) Install vertical tube, then secure with four screws.



220 V models only!



220V models only:

Step 4: Adjust electrical input setting.

- A) Pull out on two selector tabs, then pull voltage selector out of fuse drawer.
- B) Rotate voltage selector until the correct setting aligns with the voltage window.
- C) Insert voltage selector into fuse drawer.

Wall models:



WARNING

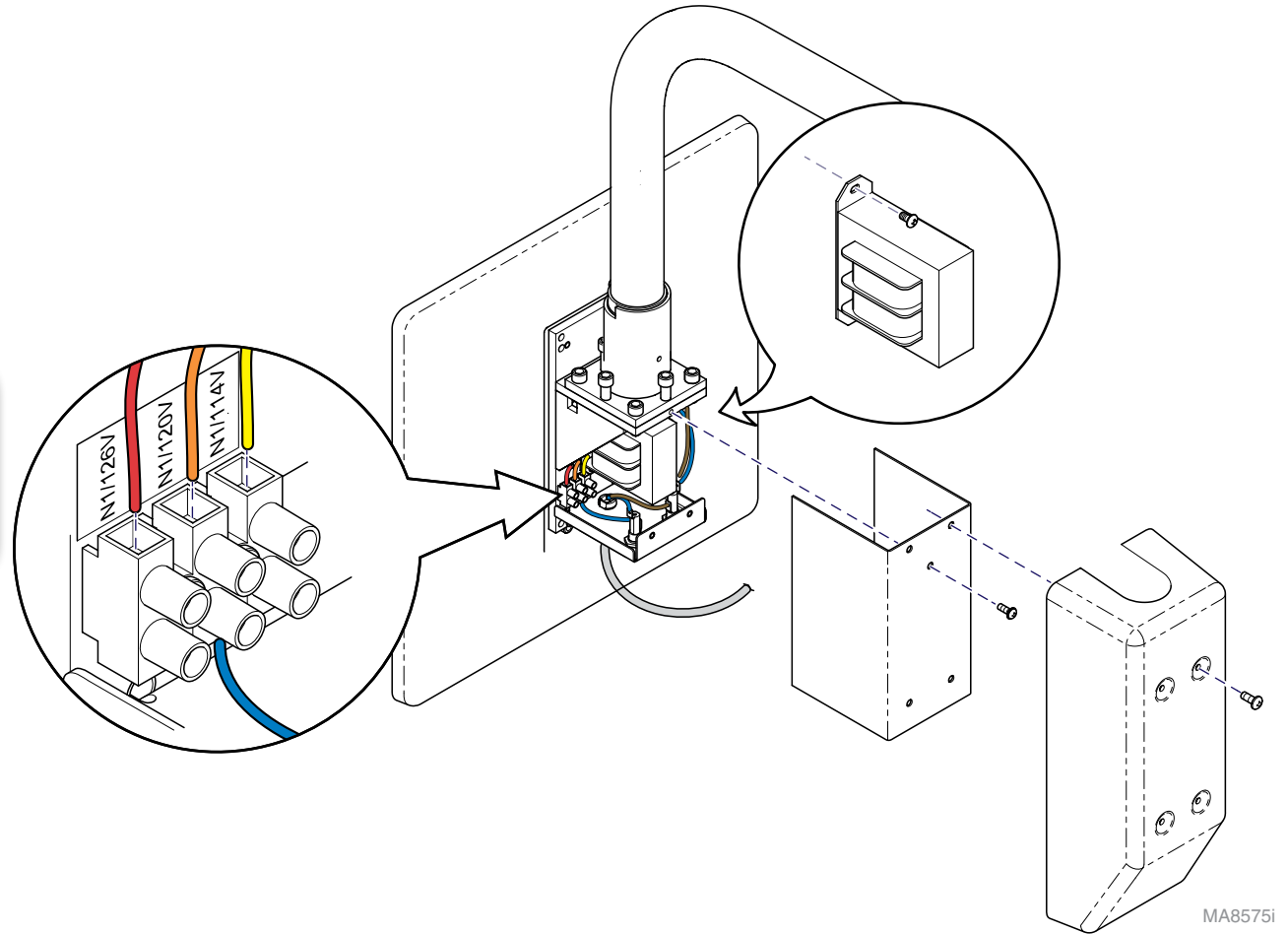
Disconnect power to the light before performing the following procedure. Failure to comply may result in electric shock.

Step 1: Remove transformer.

- A) Remove outer and inner bracket covers.
- B) Tag / disconnect all transformer wiring.
- C) Remove two screws and transformer.

Step 2: Install transformer.

- A) Position transformer / secure with two screws.
- B) Connect black wire to fuse holder.
- C) Connect red, orange, and yellow wires to appropriately marked terminals.



MA8575i

Wall models - continued:



WARNING

The following step requires power to be connected. Use caution when performing this step. Failure to comply may result in electric shock.

Step 3: Measure input voltage.

- A) Use a multimeter to measure the input voltage to the light.
- B) Record this reading.



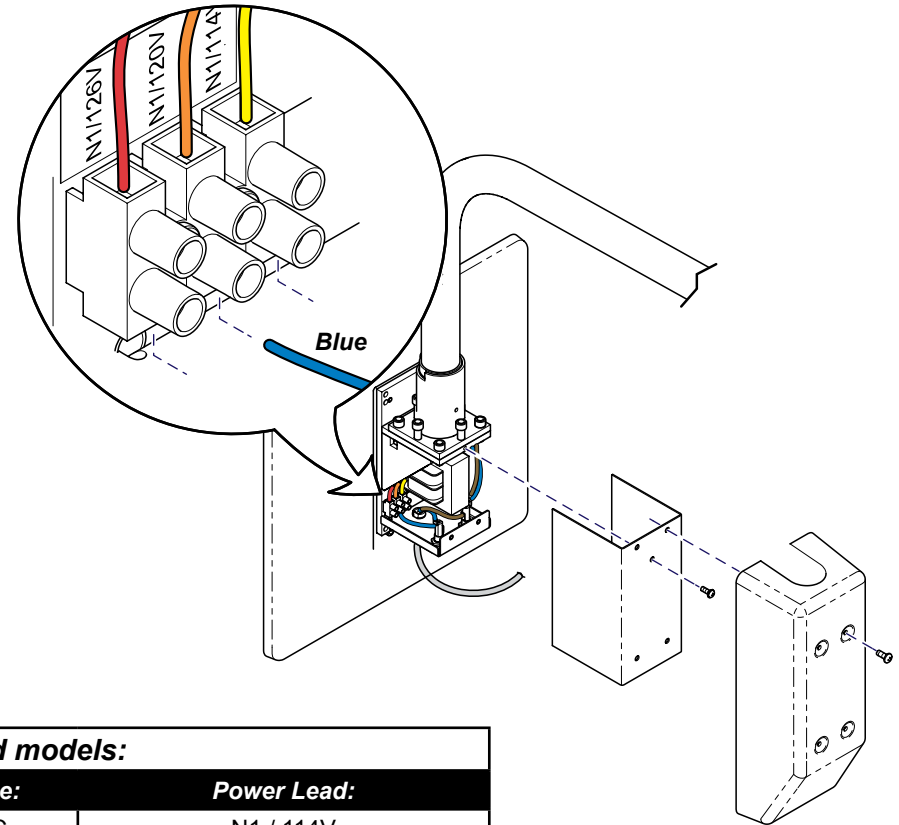
WARNING

Disconnect power to the light before performing the following procedure. Failure to comply may result in electric shock.

Step 4: Select proper input terminal.

- A) Connect the BLUE wire from the fuse holder to the appropriate terminal. Refer to the chart on this page.

Step 5: Install inner & outer covers.



Wall mounted models:	
Input Voltage:	Power Lead:
≤ 117.0 VAC	N1 / 114V
117.1 to 123.0 VAC	N1 / 120V
≥ 123.1 VAC	N1 / 126V

MA8577i



Because we care.