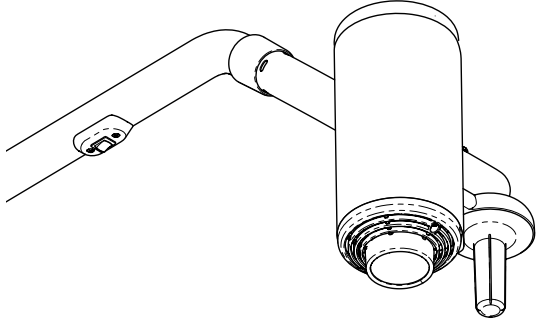




Wiring Diagrams: 354 Exam Lights

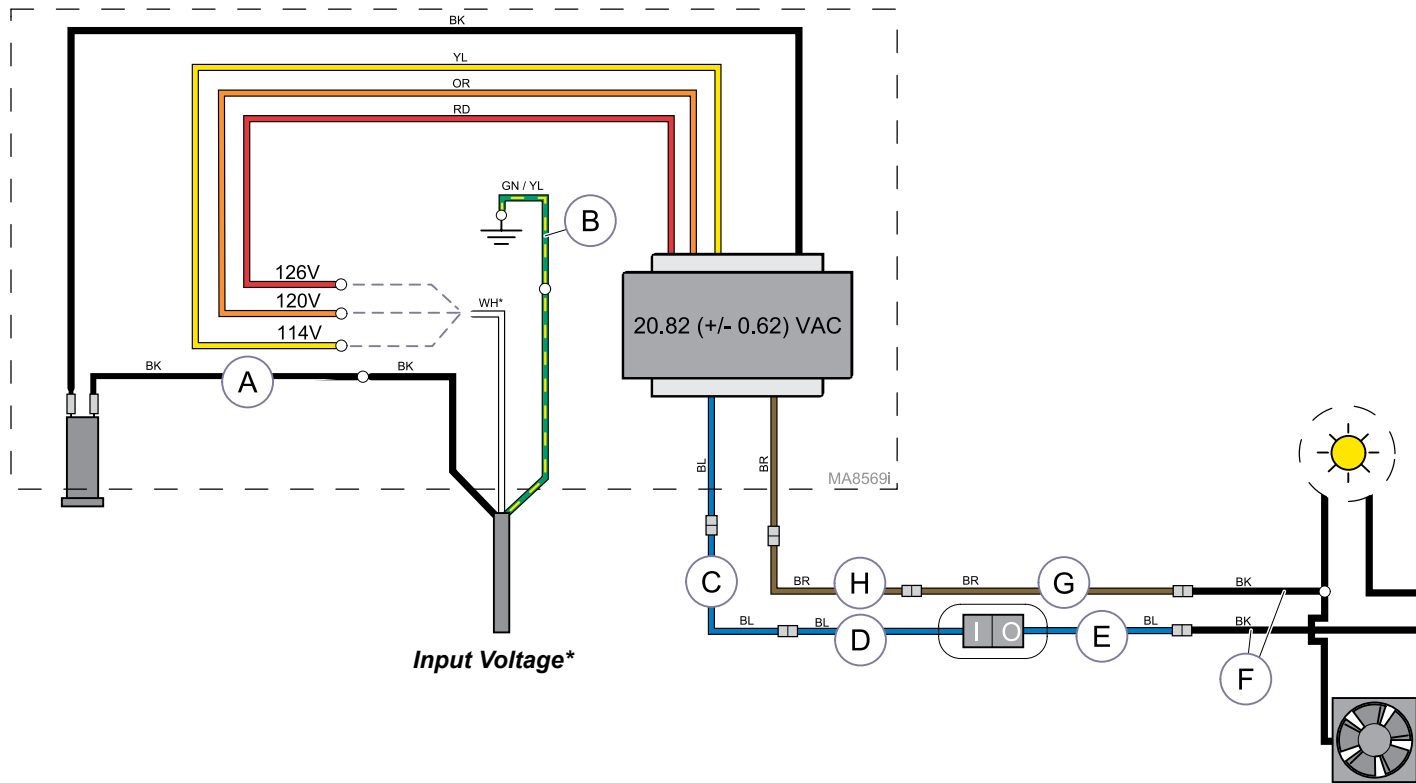
Attention
 This document contains wiring and/or tubing diagrams for the models listed in the table below. Locate the desired model / serial number, then click on the blue text to view the desired diagram.



MA8362I

Lighthouse	Mounting Style	Model Numbers	Serial Numbers:	Refer To:
354	Ceiling (Single)	354 (-001 thru -004) 354 (-007 thru -010) 354 (-016 thru -019)	all	354 Ceiling Light - Single (A)
		354 (-025 / -026 / -028 / -029)	all	354 Ceiling Light - Single (B)
	Ceiling (Double)	354 (-031 / -032 / -034 / -035)	all	354 Ceiling Light (Double)
	Mobile	354 (-005 / -011)	all	354 Mobile Light (A)
		354 (-022 / -023)	all	354 Mobile Light (B)
	Wall	354 (-043)	all	354 Wall Mtd. Light

TP209 Rev. A



Input Voltage*

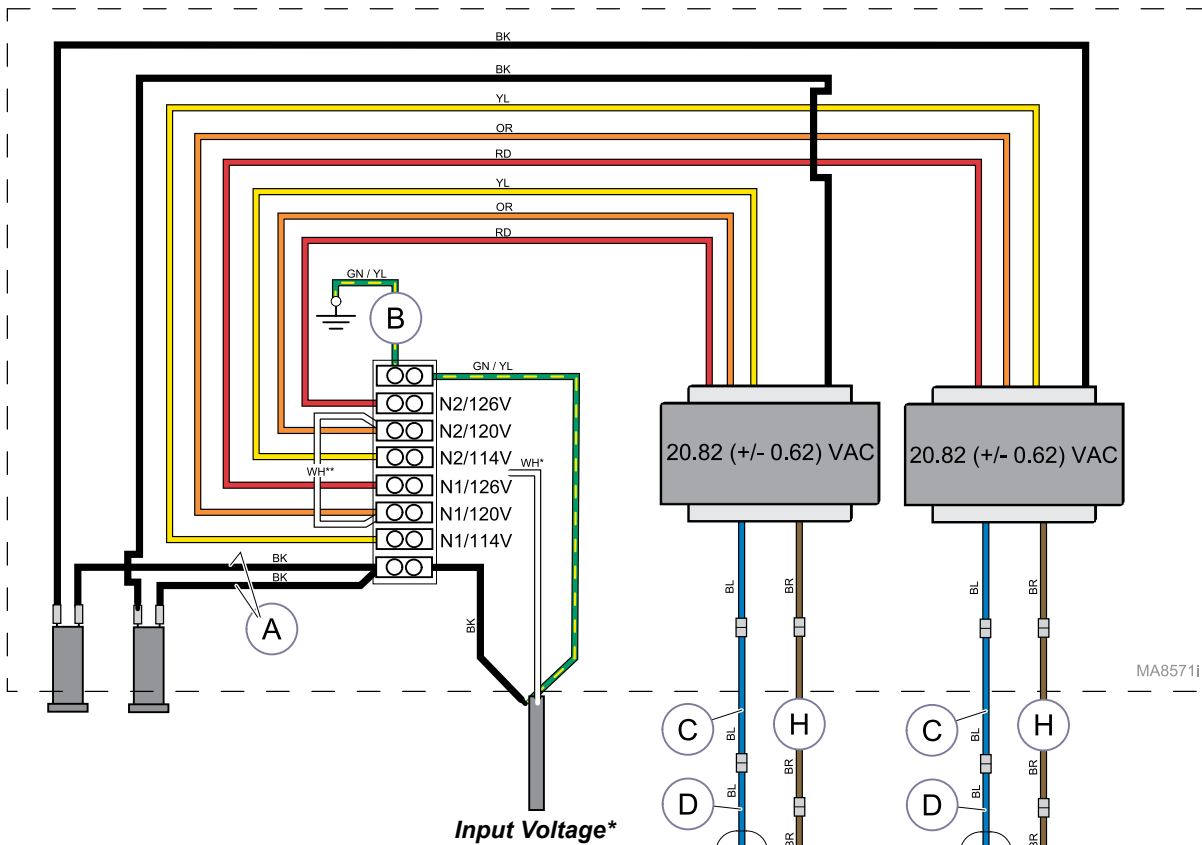
* **ATTENTION:** Measure the input voltage.
Connect the **WHITE** wire to the proper power lead from the transformer based on the input voltage reading.

Input Voltage:	Power Lead:
≤ 117.0 VAC	YELLOW
117.1 to 123.0 VAC	ORANGE
≥ 123.1 VAC	RED

**Wiring Diagram:
354 Ceiling Light - Single (A)**

Item	Description	Part Number
A	Black Wire	015-0708-07
B	Ground Wire	015-0725-11
C	Blue Wire:	
	for 8' ceiling	015-0708-18
	for 9' ceiling	015-0708-16
	for 10' ceiling	015-0708-32
D	Blue Wire	015-0708-13
E	Blue Wire	015-0708-12
F	Black Wire	015-0708-22
G	Brown Wire	015-0708-14
H	Brown Wire:	
	for 8' ceiling	015-0708-17
	for 9' ceiling	015-0708-15
	for 10' ceiling	015-0708-31

Light Model(s):	Mounting Style:	Serial Numbers:
354 (-001 thru -004) 354 (-007 thru -010) 354 (-016 thru -019)	Ceiling Mtd. (Single)	all

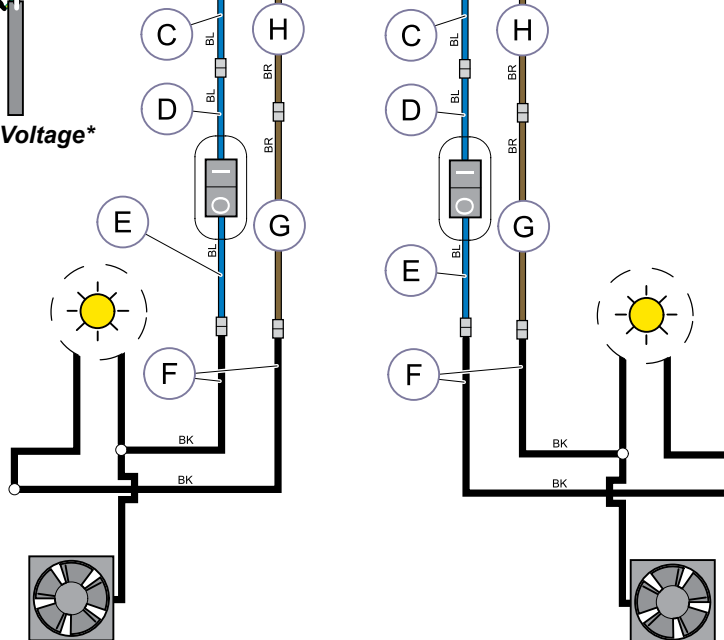


Input Voltage*

* **ATTENTION:** Measure the input voltage. Connect the WHITE wire to the proper terminal based on the input voltage reading.

Input Voltage:	Use Terminal Labeled:
≤ 117.0 VAC	N1 / 114V or N2 / 114V**
117.1 to 123.0 VAC	N1 / 120V or N2 / 120V**
≥ 123.1 VAC	N1 / 126V or N2 / 126V**

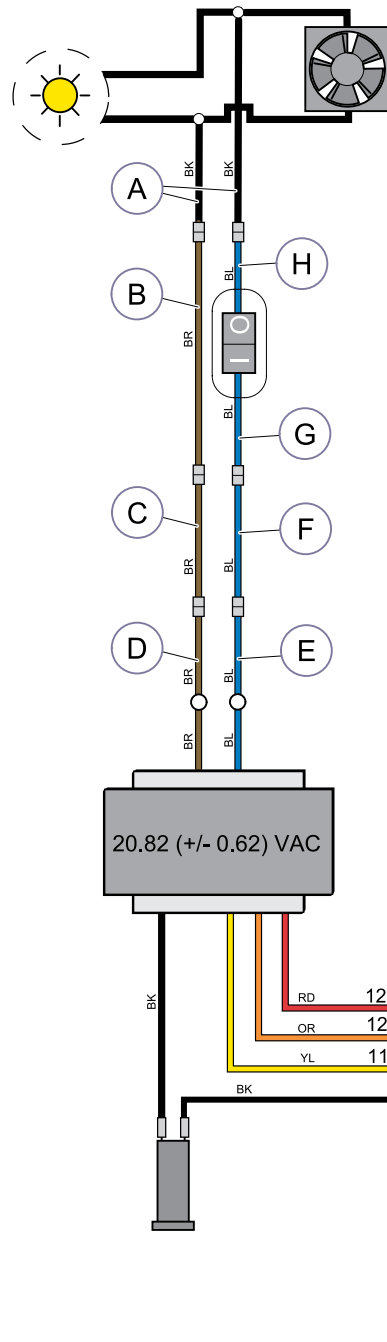
** White jumper wire must be connected to both N1 & N2 terminals.



Wiring Diagram: 354 Ceiling Light (Double)

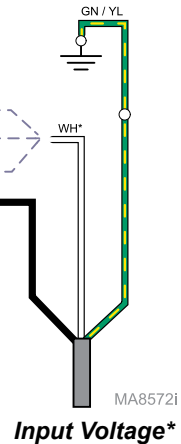
Item	Description	Part Number
A	Black Wire	015-1170-02
B	Ground Wire	015-1170-04
C	Blue Wire:	
	for 8' ceiling	015-0708-18
	for 9' ceiling	015-0708-16
	for 10' ceiling	015-0708-32
D	Blue Wire	015-0708-13
E	Blue Wire	015-0708-12
F	Black Wire	015-0708-22
G	Brown Wire	015-0708-14
H	Brown Wire:	
	for 8' ceiling	015-0708-17
	for 9' ceiling	015-0708-15
	for 10' ceiling	015-0708-31

Light Model(s):	Mounting Style:	Serial Numbers:
354 (-031 / -032 / -034 / -035)	Ceiling Mtd. (Double)	all



* **ATTENTION:** Measure the input voltage.
Connect the **WHITE** wire to the proper power lead from the transformer based on the input voltage reading.

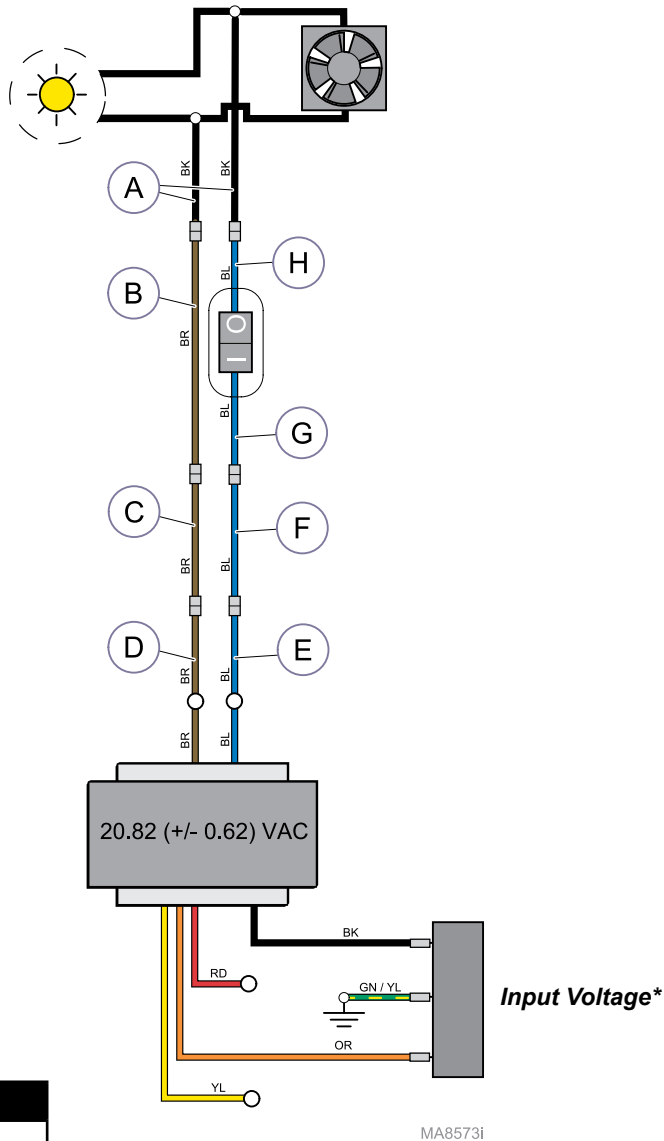
Input Voltage:	Power Lead:
≤ 117.0 VAC	YELLOW
117.1 to 123.0 VAC	ORANGE
≥ 123.1 VAC	RED



Wiring Diagram:
354 Mobile Light (A)

Item	Description	Part Number
A	Black Wire	015-0708-22
B	Brown Wire	015-0708-14
C	Brown Wire	015-0708-13
D	Brown Wire	015-0708-19
E	Blue Wire	015-0708-20
F	Blue Wire	015-0708-16
G	Blue Wire	015-0708-13
H	Blue Wire	015-0708-12

Light Model(s):	Mounting Style:	Serial Numbers:
354 (-005 / -011)	Mobile	all



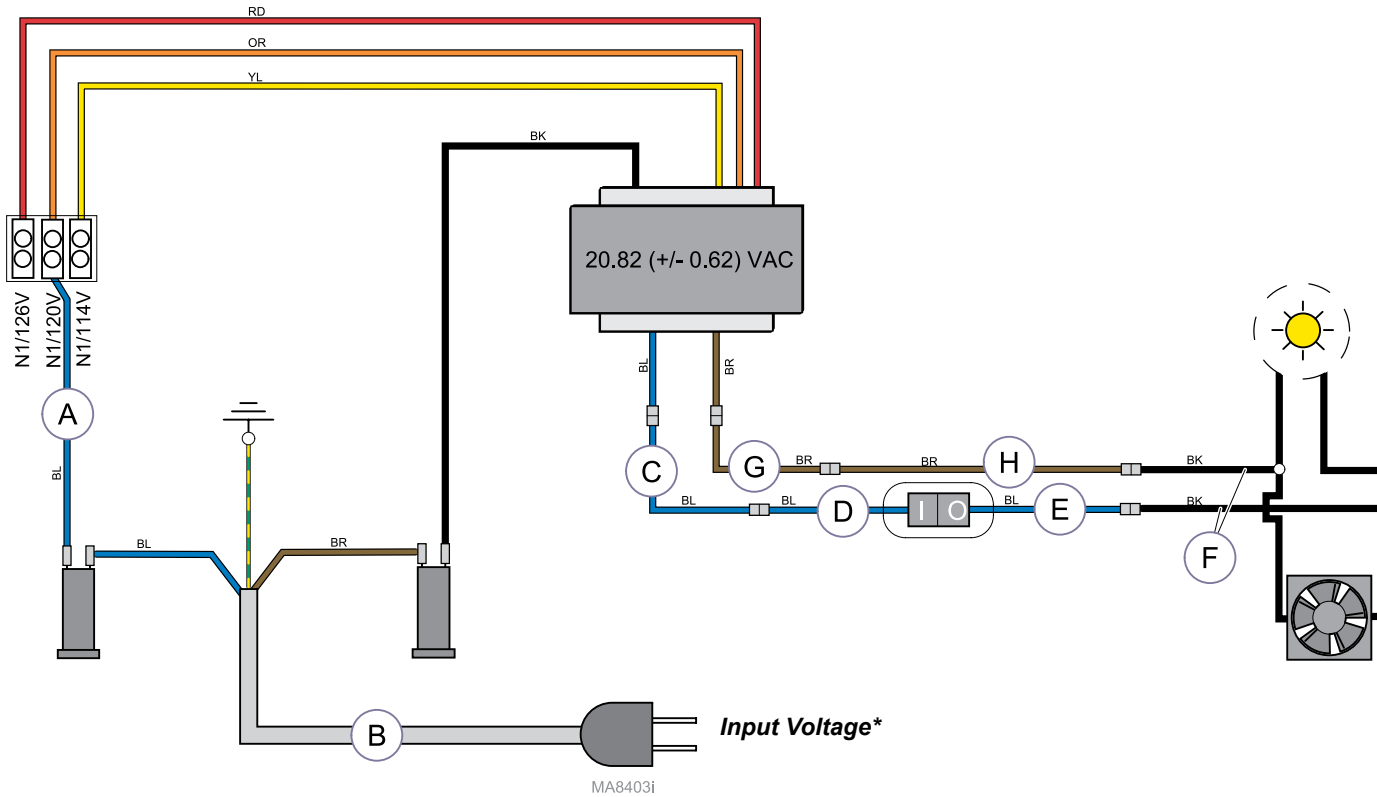
* **ATTENTION:** Measure the input voltage.
Connect the proper power lead to the transformer terminal based on the input voltage reading.

Input Voltage:	Power Lead:
≤ 117.0 VAC	YELLOW
117.1 to 123.0 VAC	ORANGE
≥ 123.1 VAC	RED

Light Model(s):	Mounting Style:	Serial Numbers:
354 (-022 / -023)	Mobile	all

Wiring Diagram: 354 Mobile Light (B)		
Item	Description	Part Number
A	Black Wire	015-0708-22
B	Brown Wire	015-0708-14
C	Brown Wire	015-0708-15
D	Brown Wire	015-0708-19
E	Blue Wire	015-0708-20
F	Blue Wire	015-0708-16
G	Blue Wire	015-0708-13
H	Blue Wire	015-0708-12

TP209 Rev. A



* **ATTENTION:** Measure the input voltage.
Connect the BLUE wire to the proper terminal
based on the input voltage reading.

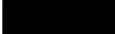





Input Voltage:	Use Terminal Labeled:
≤ 117.0 VAC	N1 / 114V
117.1 to 123.0 VAC	N1 / 120V
≥ 123.1 VAC	N1 / 126V

Light Model(s):	Mounting Style:	Serial Numbers:
354 (-043)	Wall Mtd.	all

Wiring Diagram: 354 Wall Mtd. Light		
Item	Description	Part Number
A	Blue Wire (F2 to terminal block)	015-0737-10
B	Power Cord	002-1553-00
C	Blue Wire	015-0708-38
D	Blue Wire	015-0708-13
E	Blue Wire	015-0708-12
F	Black Wire Harness (from bulb)	015-0708-22
G	Brown Wire	015-0708-37
H	Brown Wire	015-0708-14

TP209 Rev. A

Color Abbreviation Chart

	Item	Color (English)	Farbe (Deutsch)	Couleur (Français - Europe)	Color (español europeo)	Colore (italiano)	Color (others)
	BK	Black	Schwarz	Noir	Negro	Nero	
	BL	Blue	Blau	Bleu	Azul	Blu	
	BR	Brown	Braun	Marron	Marrón	Marrone	
	CL	Clear	Durchsichtig	Incolore	Transparente	Trasparente	
	GN	Green	Grün	Vert	Verde	Verde	
	GY	Grey	Grau	Gris	Gris	Grigio	
	OR	Orange	Orange	Orange	Naranja	Arancione	
	PR	Purple	Purpur	Pourpre	Morado	Porpora	
	CL/PR	Clear Purple	Durchsichtig Purpur	Incolore Pourpre	Transparente Morado	Trasparente Porpora	
	RD	Red	Rot	Rouge	Rojo	Rosso	
	WH	White	Weiß	Blanc	Blanco	Bianco	
	YL	Yellow	Gelb	Jaune	Amarillo	Giallo	
	PK	Pink	Pink	Rose	Rosa	Rosa	
	TN	Tan	Hellbraun	Fauve	Marrón claro	Tanè (marrone scuro)	
	BK/WH	Black/White	Schwarz / Weiß	Noir / Blanc	Negro / Blanco	Bianco / Nero	
	BL/WH	Blue/White	Blau / Weiß	Bleu / Blanc	Azul / Blanco	Blu / Bianco	
	BR/WH	Brown/White	Braun / Weiß	Marron / Blanc	Marrón / Blanco	Marrone / Bianco	
	CL/BK	Clear / Black	Durchsichtig / Schwarz	Incolore / Noir	Transparente / Negro	Trasparente / Nero	
	GN/WH	Green / White	Grün / Weiß	Vert / Blanc	Verde / Blanco	Verde / Bianco	
	GN/YL	Green / Yellow	Grün / Gelb	Vert / Jaune	Verde / Amarillo	Verde / Giallo	
	OR/WH	Orange / White	Orange / Weiß	Orange / Blanc	Naranja / Blanco	Arancione / Bianco	
	PR/WH	Purple / White	Purpur / Weiß	Pourpre / Blanc	Morado / Blanco	Porpora / Bianco	
	RD/WH	Red / White	Rot / Weiß	Rouge / Blanc	Rojo / Blanco	Rosso / Bianco	
	VI/WH	Violet / White	Violett / Weiß	Violet / Blanc	Violeta / Blanco	Viola / Bianco	
	YL/WH	Yellow / White	Gelb / Weiß	Jaune / Blanc	Amarillo / Blanco	Giallo / Bianco	
	YL/GN	Yellow / Green	Gelb / Grün	Jaune / Vert	Amarillo / Verde	Giallo / Verde	
	YL/BK	Yellow / Black	Gelb / Schwarz	Jaune / Noir	Amarillo / Negro	Giallo / Nero	

TP209 Rev. A