

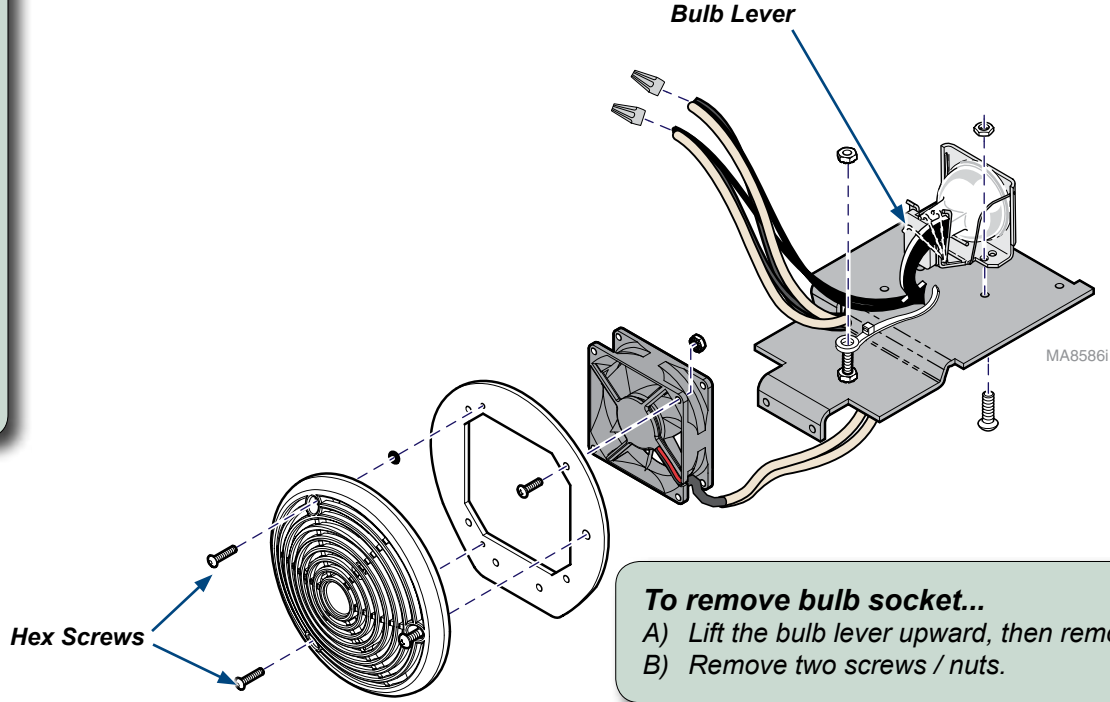
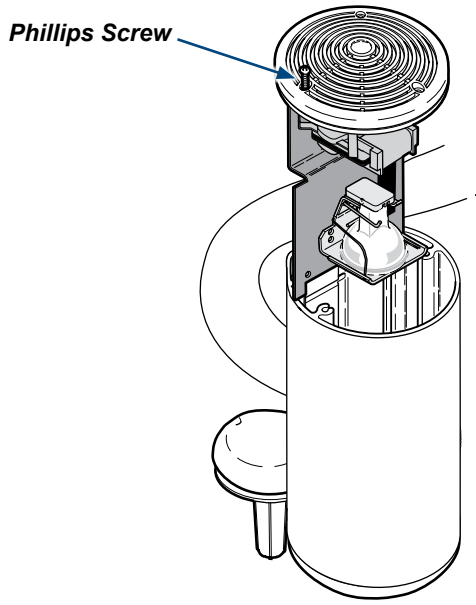
Fan / Bulb Socket Replacement

Applies to:
 354: Ceiling / Mobile / Wall models
 Language of origin: English

WARNING
 Disconnect power to the light before performing the following procedure. Failure to comply may result in electric shock.

Step 1: Remove bulb carriage and top cap.

- A) Turn light switch to STANDBY (⏻).
- B) **Loosen** one phillips screw on top of lighthouse. (Do not attempt to remove this screw).
- C) Slide bulb carriage out of housing.
- D) Remove two hex screws and top cap.
- E) Remove four fan screws / nuts.
- F) Cut wire tie and remove nut.
- G) Remove two wire nuts.
- H) Remove fan (if desired).



To remove bulb socket...

- A) Lift the bulb lever upward, then remove bulb.
- B) Remove two screws / nuts.

Use these steps as a guide to complete the installation.

TP200 Rev. A