

Iris Diaphragm / Lens Replacement

Applies to:
 354: Ceiling / Mobile / Wall models
 Language of origin: English

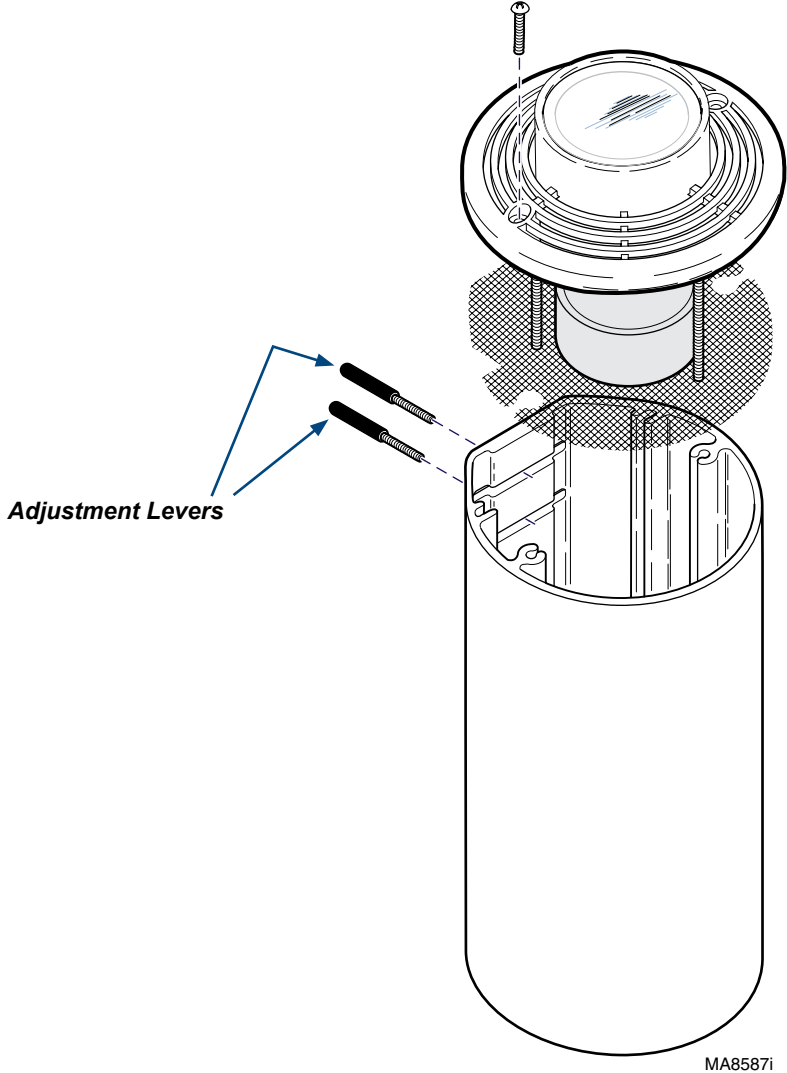
⚠ WARNING
 Disconnect power to the light before performing the following procedure. Failure to comply may result in electric shock.

⚠ Equipment Alert
 After removing, place optic assembly front cover down, on a flat surface to avoid damage to the lenses / cover glass.

Step 1: Remove optic assembly.
 A) Unscrew / remove two adjustment levers.
 B) Remove two screws and optic assembly from housing.

⚠ Equipment Alert
 Hand tighten adjustment levers - do not overtighten!

To install optic assembly...
 A) Slide optic assembly into housing, secure with two screws.
 B) Install two adjustment levers thru slots in housing.
 Hand tighten only!



TP200 Rev. A



Equipment Alert

When removing the optic housing, be careful not to displace the two iris diaphragms located inside the optic housing.

Step 2: Remove optic housing.

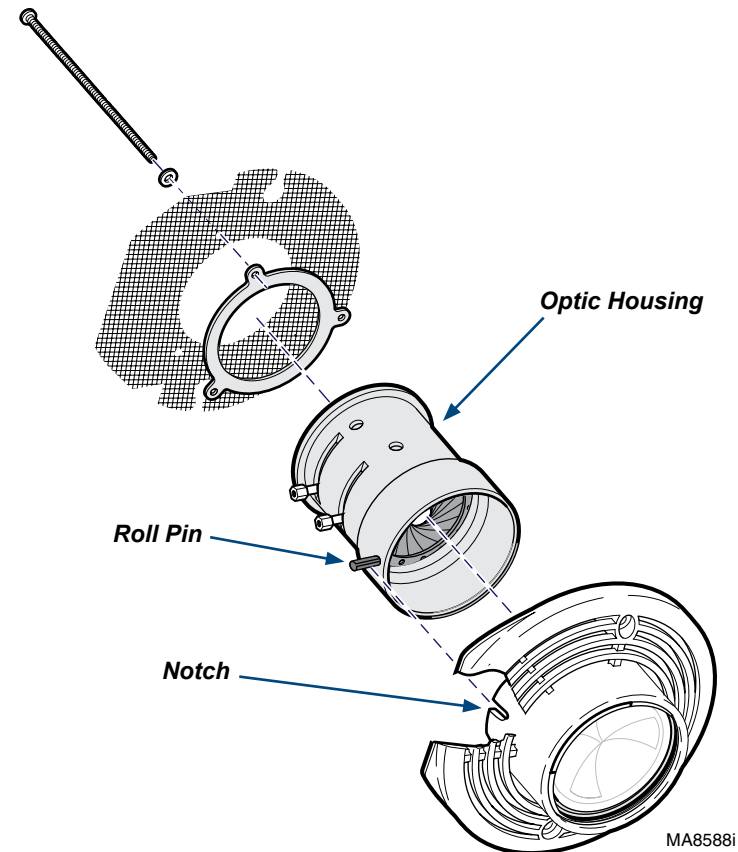
- A) Remove three screws, washers, screen, and retaining disk.
- B) Remove optic housing.
- C) Place a soft cloth over the back of the front cover, then turn upside down to remove two lenses and lens spacer.

Lens Replacement:

Go to page 3.

Iris Diaphragm Replacement:

Go to page 4.



Equipment Alert

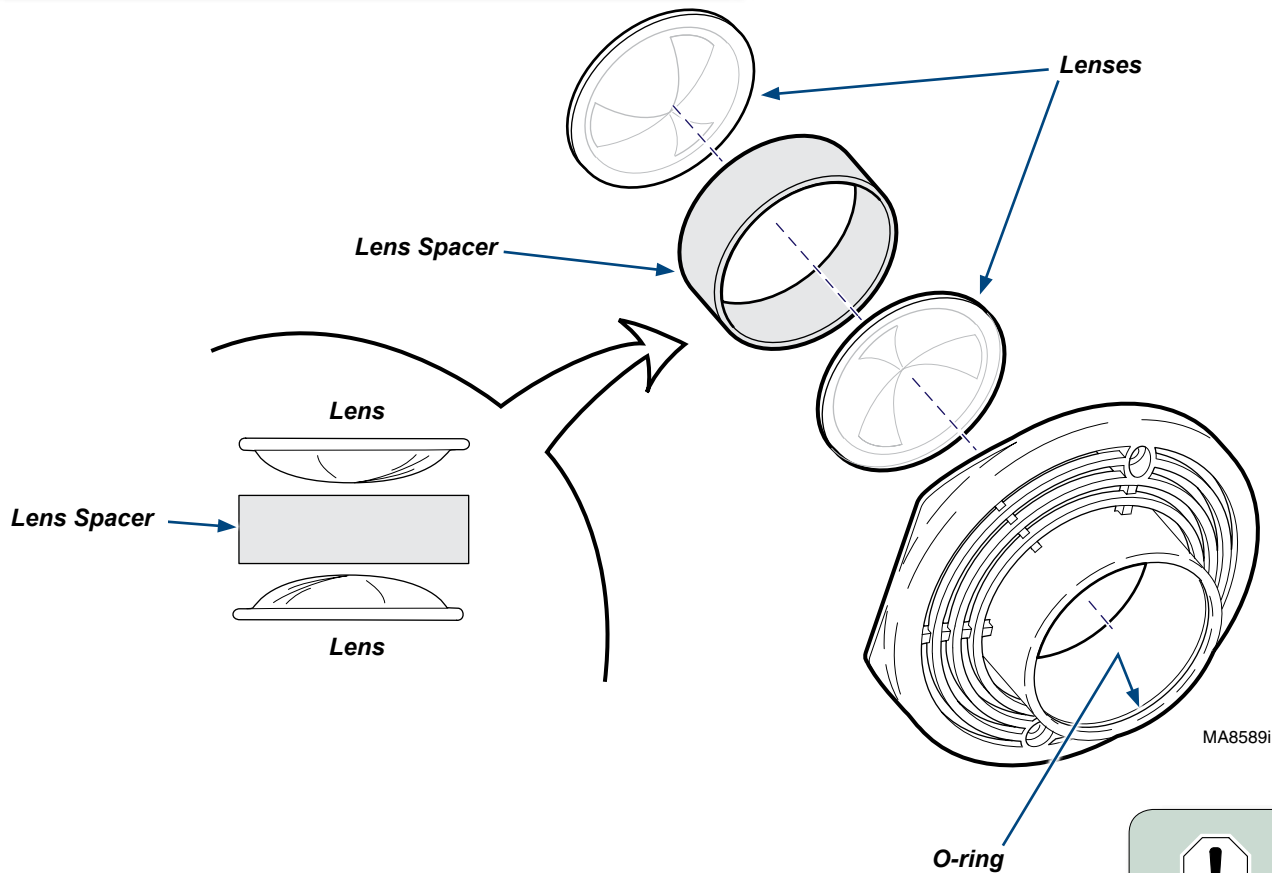
Check alignment of iris diaphragms before tightening screws. (Refer to Iris Diaphragm installation procedure).
Tighten screws until retaining disk deflects **slightly** - do not over-tighten!

To install optic housing...

- A) Place optic housing onto front cover.
Position roll pin in notch as shown.
- B) Position retaining disk and screen on optic housing.
- C) Secure screen / retaining disk with three screws.
Tighten screws until retaining disk deflects **slightly**.
Do not over-tighten!

To remove lenses...

A) Place a soft cloth over the back of the front cover, then turn upside down to remove two lenses and lens spacer.



Equipment Alert

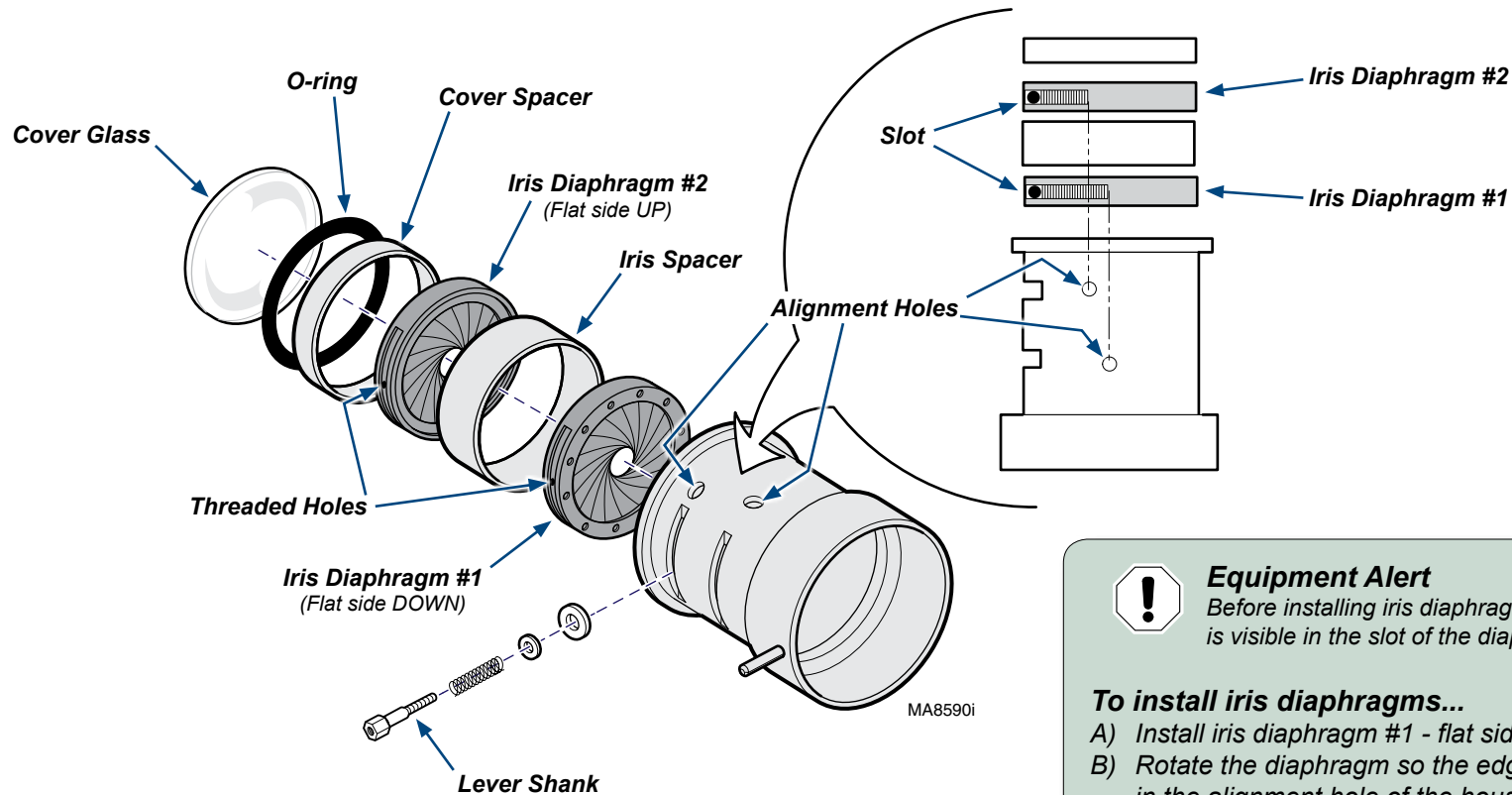
Be sure the O-ring in the lip of the front cover is in place. Replace O-ring if necessary.

To install lenses...

- A) Install two lenses and lens spacer into front cover. (Lenses must be installed with curvature as shown).
- B) Install optic housing. (Go to page 2)
- C) Install optic assembly. (Go to page 1)

To remove iris diaphragms...

- A) Remove cover glass and O-ring.
- B) Remove two hex lever shanks, springs and washers.
- C) Place a soft cloth over the back of the optic housing, then turn upside down to remove iris diaphragms and spacers.



Equipment Alert

Before installing iris diaphragms, be sure the threaded hole is visible in the slot of the diaphragm.

To install iris diaphragms...

- A) Install iris diaphragm #1 - flat side DOWN - into housing.
- B) Rotate the diaphragm so the edge of the slot is centered in the alignment hole of the housing.
- C) Install iris spacer.
- D) Install iris diaphragm #2 - flat side UP - into housing.
- E) Rotate the diaphragm so the edge of the slot is centered in the alignment hole of the housing.
- F) Install cover spacer, O-ring, and cover glass.
- G) Slide spring, and two washers onto lever shank as shown.
- H) Hand-tighten lever shank into threaded hole of iris diaphragm. (Repeat steps G and H for other lever shank).
- I) Install optic housing. (Go to page 2)
- J) Install optic assembly. (Go to page 1)