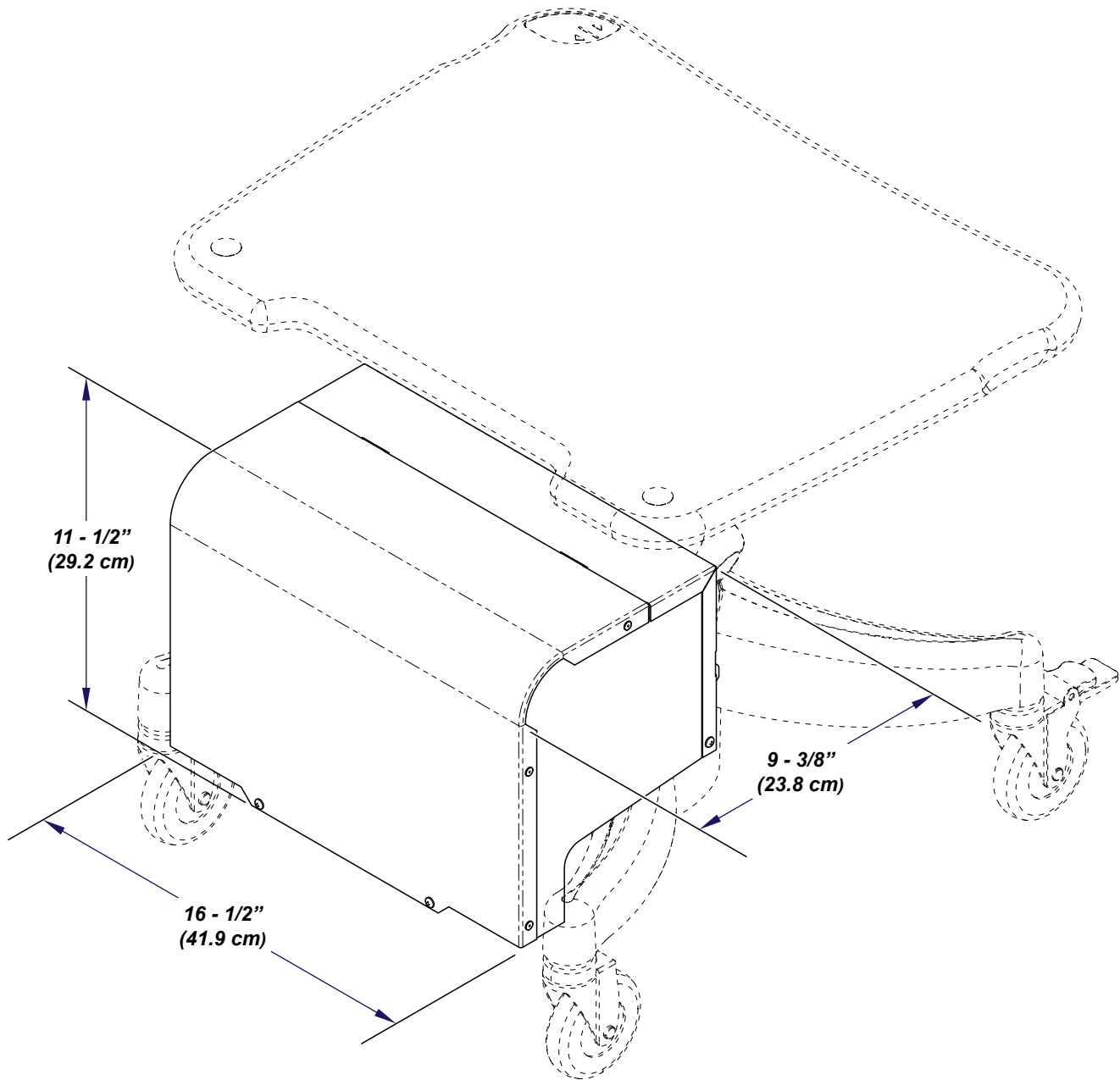


## Features

- **All-in-One**  
Fully Integrated ULMEC60601-1 Mobile Power System
- **Universal Input**  
90VAC – 264VAC
- **Rapid Recharge**  
2.5 Hours
- **350W Charger**  
Simultaneously charges battery while running the system
- **Continuous On-line Operation**  
Increases reliability and eliminates long term mechanical failures
- **Standard API**  
Integrates directly into windows USB Battery drivers
- **Supports Smart Battery Protocols**  
SMB & ModBus



MA11129i

## PARAMETERS

Input	
AC Main Connection	90VAC – 264 VAC
AC Frequency	47-63 Hz
Max AC Input Current	3A
Power Factor \ Harmonic Correction	Compliant to IEC61000-3-2
Inrush Current (Typ)	40Apk
AC Connection Type	Panel mount IEC 60320, C14
Input Protection	
Surge Protection	Compliant to IEC 61000-4-5
Input Over-Current	Y

AC Output	
AC (Pure Sine Wave)	120 VAC
AC Frequency	57-63 Hz
AC Output Current	1.45A
Power (continuous)	175 VA
Power (Peak)	250 VA (2 sec Max)
Line regulation (from AC or DC)	< 2%
Load regulation	< 3%
AC Connection Type	IEC 60320 – C13
AC Connection Cord	10"
Total Harmonic Distortion	< 3% THD

Safety	
Isolation Level	4Kv
Marking	TUV
Safety & EMC Standard	UL/IEC 60601-1 (3rd Ed.) UL/IEC 60950-1
RoHS/WEEE	Compliant
Cooling	Temp.& Speed Controlled Fan

Environmental	
Operating Temperature	0oC to +35oC
Humidity (non-condensing)	0% – 95%
Storage Temperature	-10oC to +50oC
Over Temperature Protection	Y

Battery Source	
DC Voltage	24V nominal
DC Current (max)	10A charge/ 20A discharge
Type	Li-Ion
Charge & Supply Load	Simultaneously
Typical Charge Time	2.5 Hours
Input Over-Current	Y

AC Output Protection	
Max AC Current	1.87A
AC Frequency	Y