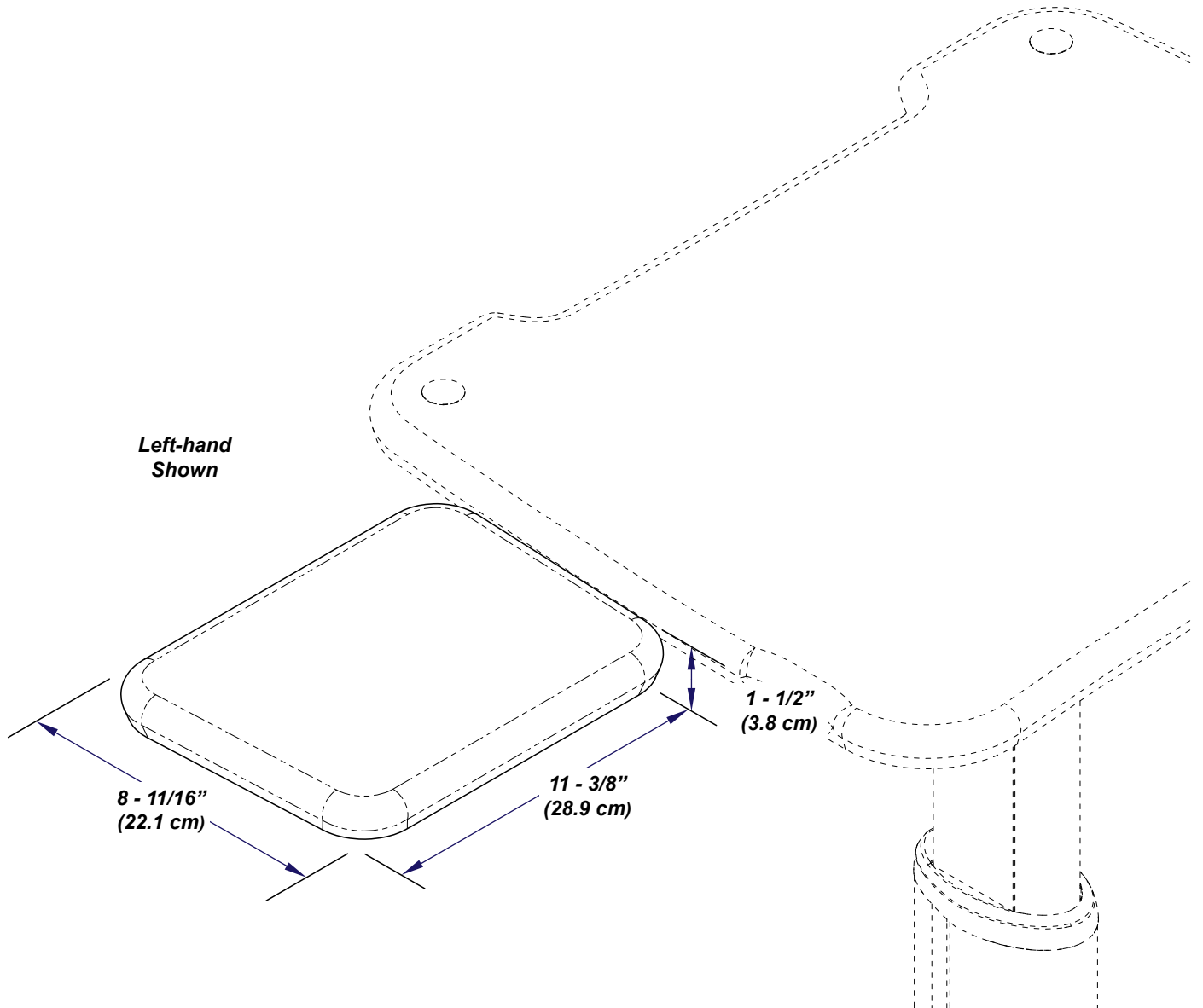


- **Capacity**  
5 lb max.
- **Mounted**  
Left or Right side of worksurface.



MA11131i