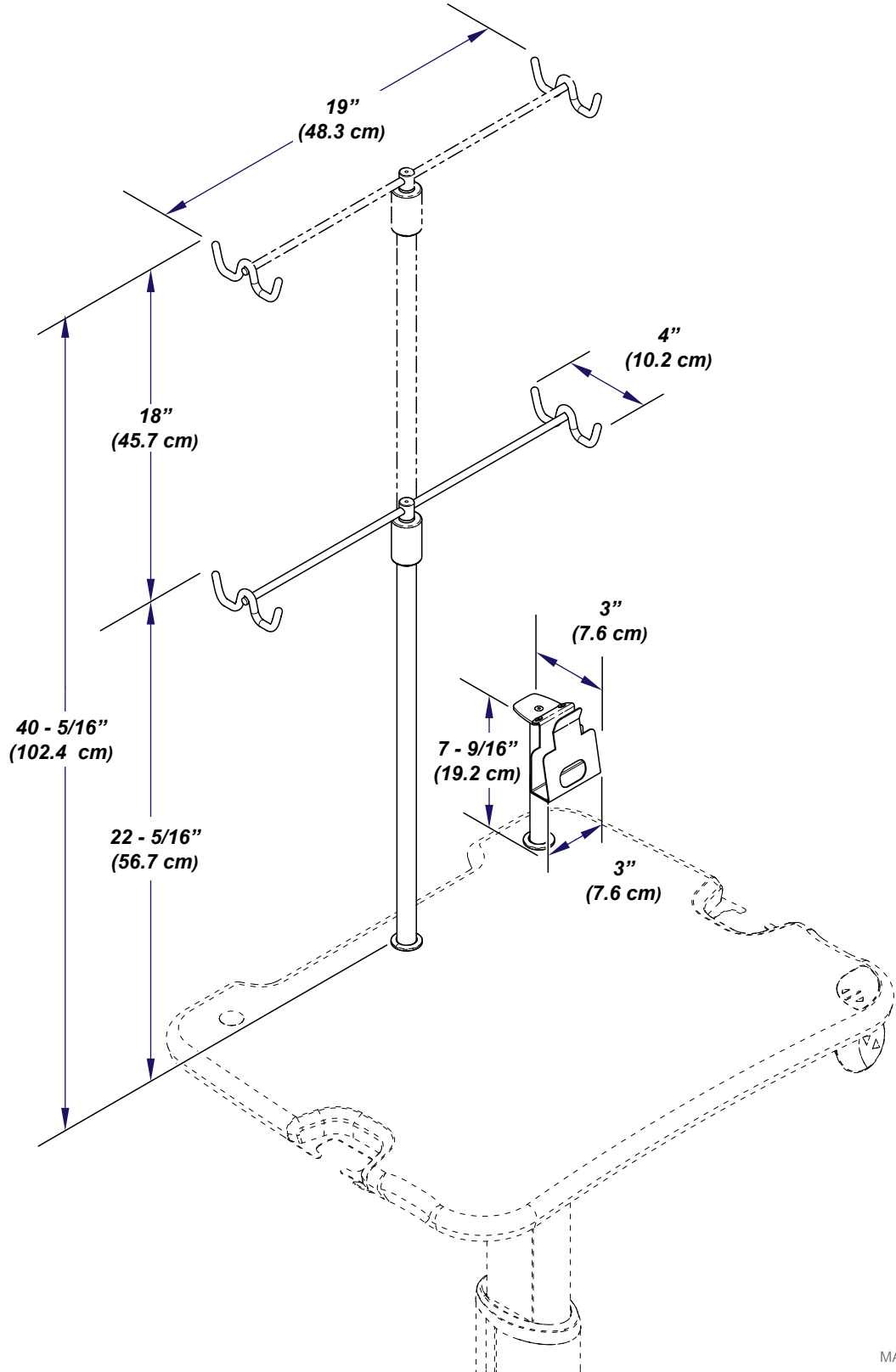


# Equipment Pole [9A651001] Blood Pressure Cuff Holder [9A658001]

- **Capacity**  
Equipment Pole 3 lb max. and Blood Pressure Cuff 2 lb max.
- **Mounted**  
Right, Left or Middle of worksurface.



MA11136i