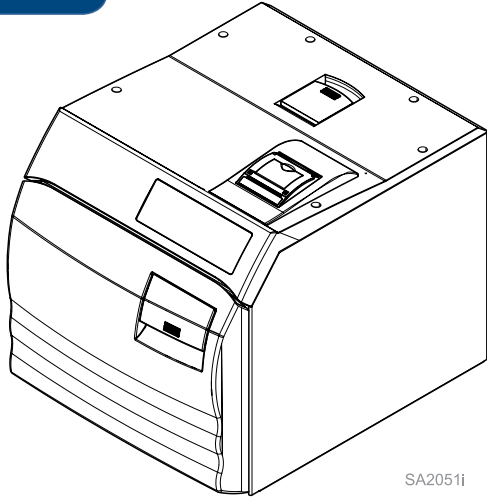




Specifications: M9 / M9D (-040 / -041 / -042) M11 (-040 / -041 / -042)



SA2051i

WARNING
 For 115 VAC models: Use 104 - 127 VAC, 50/60 Hz alternating current only.
 For 230 VAC models: Use 207 - 253 VAC, 50/60 Hz alternating current only.
 Failure to do so may result in electric shock to personnel and / or damage to sterilizer.

Equipment Alert
 A separate (dedicated) circuit is required for this sterilizer. Sterilizer should not be connected into an electrical circuit with other appliances or equipment unless circuit is rated for the additional load.

For model-specific ratings / dimensions, refer to the appropriate page.

Model Numbers	Refer to:
M9 / M9D (-40 / -041 / -042)	Page 2
M11 (-40 / -041 / -042)	Page 3

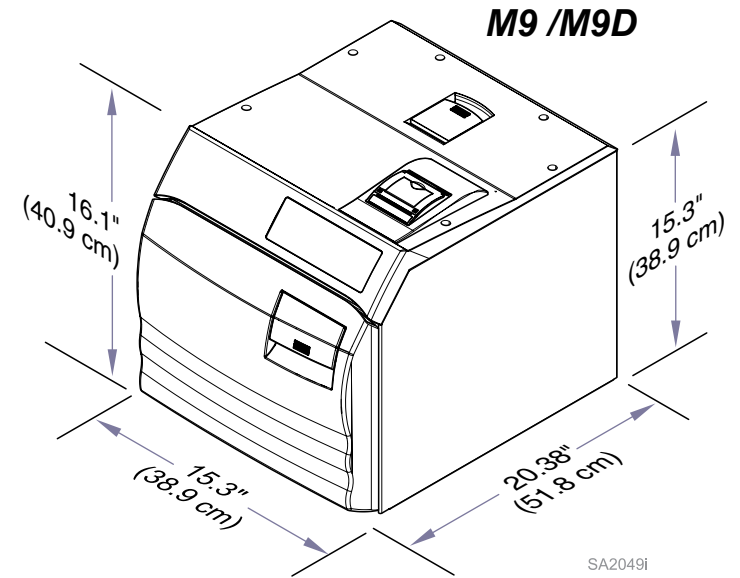
Note:
 The Sterilization Technology used in the Midmark M9 / M9D and M11 utilizes a dynamic air removal system called Steam Flush Pressure Pulse to remove air from the chamber.

Water Purity Specification Chart		
AAMI ST-46 (ref.)		
Evaporate Residue	≤ 15 mg/l	≤ 15 ppm
Silica	≤ 2 mg/l	≤ 2 ppm
Iron	≤ 0.2 mg/l	≤ 0.2 ppm
Cadmium	≤ 0.005 mg/l	≤ 0.005 ppm
Lead	≤ 0.05 mg/l	≤ 0.05 ppm
Rest of heavy metals, excluding Iron, Cadmium, and Lead ¹	≤ 0.1 mg/l	≤ 0.1 ppm
Chloride	≤ 3 mg/l	≤ 3 ppm
Phosphate	≤ 0.5 mg/l	≤ 0.5 ppm
Conductivity (at 20°C) ²	≤ 50 µs/cm	TDS ≤ 25 ppm
pH	6.5 to 8	
Appearance	Colorless, clean, without sediment	
Hardness	≤ 0.1 mmol/l (.585 gr/gal)	≤ 10 ppm

Specifications / Dimensions:

Specifications Chart: M9 / M9D

Physical Dimensions:	
Overall Length with Plug	20.38 in. (51.8 cm)
Overall Width	15.3 in. (38.9 cm)
Overall Height with Printer	16.1 in. (40.9 cm)
Counter Area	15.3 in. x 18 in. (38.9 cm x 45.7 cm)
Chamber	9 in. dia. x 15 deep (22.9 cm x 38 cm)
Standard Tray, Large	7 5/16 in. x 12 in. x 7/8 in. (18.6 cm x 30.5 cm x 2.2 cm)
Standard Tray, Small	5 5/8 in. x 12 in. x 7/8 in. (14.3 cm x 30.5 cm x 2.2 cm)
Weights:	
Weight with Empty Reservoir	73 lbs. (33.1 kg)
Weight with Shipping Carton	81 lbs (36.7 kg)
Water Reservoir Capacity	1.1 Gallons (4.1 liters) to Full Mark usable volume is 0.5 gallons (1.9 liters)
Electrical Rating:	
<i>Note: A separate (dedicated) circuit is required for this sterilizer. Sterilizer should not be connected into an electrical circuit with other appliances or equipment unless circuit is rated for the additional load.</i>	
115 V models	115 VAC (+/- 10%), 12 Amp, 50/60 Hz
230 V models	230 VAC (+/- 10%), 6.4 Amp, 50/60 Hz
Fuse Ratings:	
115 VAC	F1.....0.25 Amp, 250 V, Slo-blo, 1/4" x 1 1/4"
	F2.....15 Amp, 250 V, Fast Acting, 1/4" x 1 1/4"
230 VAC	F1.....0.125 Amp, 250 V, Slo-blo, 5 x 20 mm
	F2.....8 Amp, 250 V, Fast Acting, 5 x 20 mm
Safety Valve Setting	40 psi (275.8 kPa)
Heat Emission	5000 BTU / hr during operation
Certifications	
ASME Boiler and Pressure Vessel Code, Section VIII, Division 1. Canadian Registration Number available	UL61010-1, 2nd Edition IEC 61010-2-040:2005, 1st Edition CAN/CSA C22.2, No. 61010-1, 2nd Edition CSA C22.2, No. 61010-2-040-07 Part 2-040, - 1st Edition
Midmark is an ISO 13485 and ISO 9001 Certified Company	IEC 60601-1-2 Edition 4.0 2014-02 CISPR II:2009, A1:2010 Class A, Group 1 IEC 61000-3-2:2014, Part 3-2 IEC 61000-3-3:2014, Part 3-3 ANSI/AAMI ST55:2010(R)2014 ANSI/AAMI/IEC62304



Specifications / Dimensions:

Specifications Chart: M11

Physical Dimensions:	
Overall Length with Plug	23.8 in. (60.5 cm)
Overall Width	17.8 in. (45.2 cm)
Overall Height with Printer	18.1 in. (50.0 cm)
Counter Area	17.8. x 21 in. (45.2 cm x 53.3 cm)
Chamber	11 in. dia. x 18 in. deep (28 cm x 46 cm)
Standard Tray, Large	9 in. x 15 in. x 1 1/8 in. (22.9 cm x 38 cm x 2.9 cm)
Standard Tray, Small	6 5/8 in. x 15 in. x 1 1/8 in. (16.8 cm x 38 cm x 2.9 cm)
Weights:	
Weight with Empty Reservoir	99 lbs. (44.9 kg)
Weight with Shipping Carton	131 lbs (59.4 kg)
Water Reservoir Capacity	1.4 Gallons (5.3 liters) to Full Mark usable volume is 1.0 gallons (3.8 liters)
Electrical Rating:	
<i>Note: A separate (dedicated) circuit is required for this sterilizer. Sterilizer should not be connected into an electrical circuit with other appliances or equipment unless circuit is rated for the additional load.</i>	
115 V models	115 VAC (+/- 10%), 12 Amp, 50/60 Hz
230 V models	230 VAC (+/- 10%), 6.4 Amp, 50/60 Hz
Fuse Ratings:	
115 VAC	F1.....0.25 Amp, 250 V, Slo-blo, 1/4" x 1 1/4"
	F2.....15 Amp, 250 V, Fast Acting, 1/4" x 1 1/4"
230 VAC	F1.....0.125 Amp, 250 V, Slo-blo, 5 x 20 mm
	F2.....8 Amp, 250 V, Fast Acting, 5 x 20 mm
Safety Valve Setting	40 psi (275.8 kPa)
Heat Emission	5000 BTU / hr during operation
Certifications	
ASME Boiler and Pressure Vessel Code, Section VIII, Division 1. Canadian Registration Number available	UL61010-1, 2nd Edition IEC 61010-2-040:2005, 1st Edition CAN/CSA C22.2, No. 61010-1, 2nd Edition CSA C22.2, No. 61010-2-040-07 Part 2-040, - 1st Edition
Midmark is an ISO 13485 and ISO 9001 Certified Company	IEC 60601-1-2 Edition 4.0 2014-02 CISPR II:2009, A1:2010 Class A, Group 1 IEC 61000-3-2:2014, Part 3-2 IEC 61000-3-3:2014, Part 3-3 ANSI/AAMI ST55:2010(R)2014 ANSI/AAMI/IEC62304

