

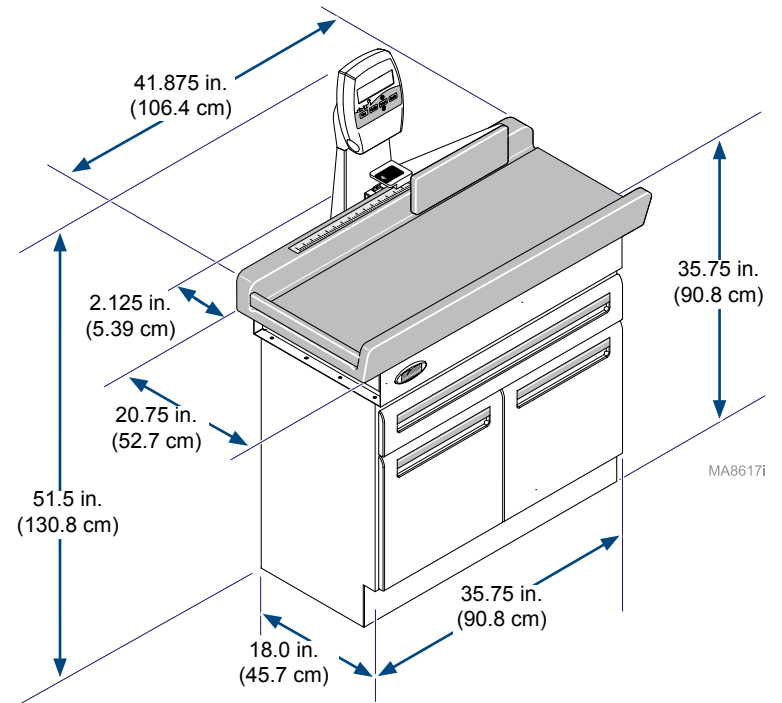


Specifications: 640 Pediatric Examination Table with Midmark Scale

The chart below applies to all 640-001 models with Midmark Scale

Specifications Chart	
Regulatory Compliance:	ANSI/AAMI ES 60601-1:2005 CAN/CSA C22.2 NO. 60601-1-08
Patient Weight:	4.5 lbs (2 kg) - 40 lbs (18 kg)
Paper Roll (maximum size)	14 in. long x 3 in. diameter (35.6 cm x 7.6 cm)
Weight of Table:	170 lbs (77 kg)
Digital Scale Accuracy:	+/- 1.0 oz (28 g) for weights < 22 lbs (10 kg) +/- 2.0 oz (56 g) for weights ≥ 22 lbs (10 kg)
Power Source AC Adaptor:	Input: 115 VAC, 60 Hz, 0.1A Output: 12 VDC, 500 - 1000 mA
Power Consumption:	10 Watts max.
Display:	LCD w/ 1 in. (25 mm) numerals
Linear Scale (Measuring Arm) Accuracy: Minimum Increments:	±1/8 in. (0.5 cm) 1/8 in. (0.5 cm)
Table Dimensions:	Refer to drawing.

640 (Midmark Scale)



TP211 Rev. A